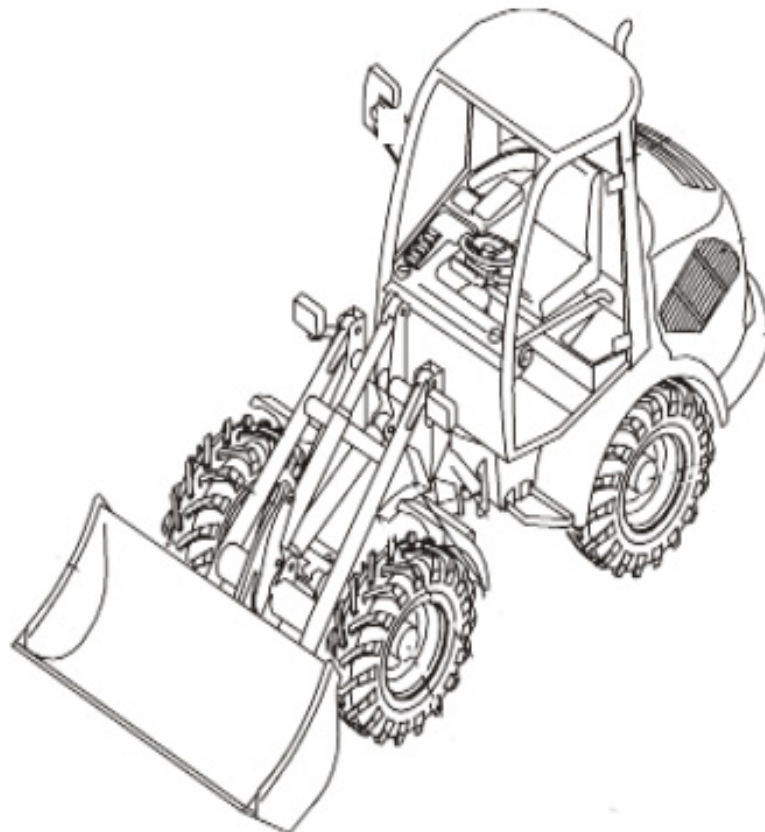


# PARTS MANUAL

**TW65**

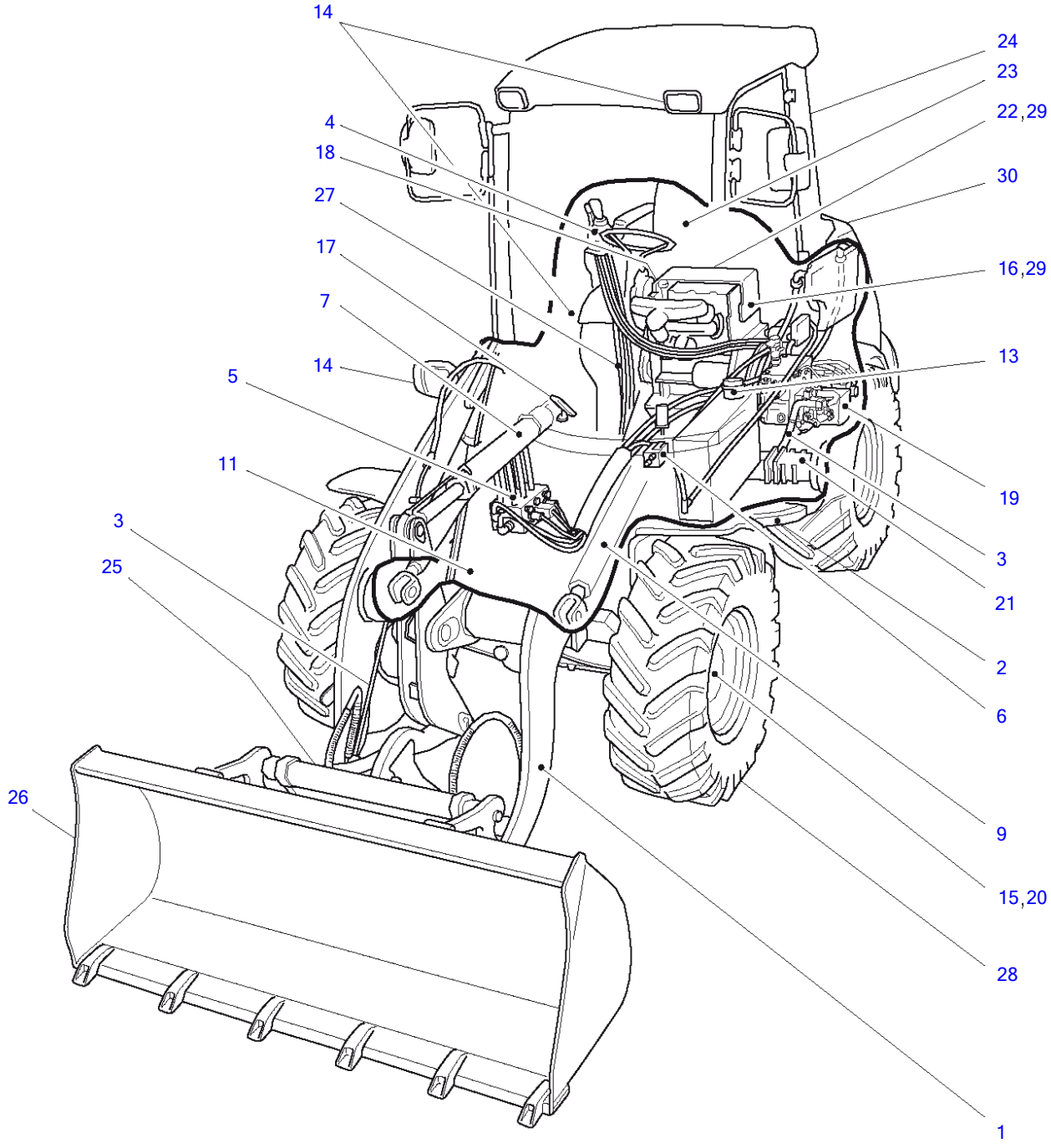
Serial No. E106266~

Book No 8020866

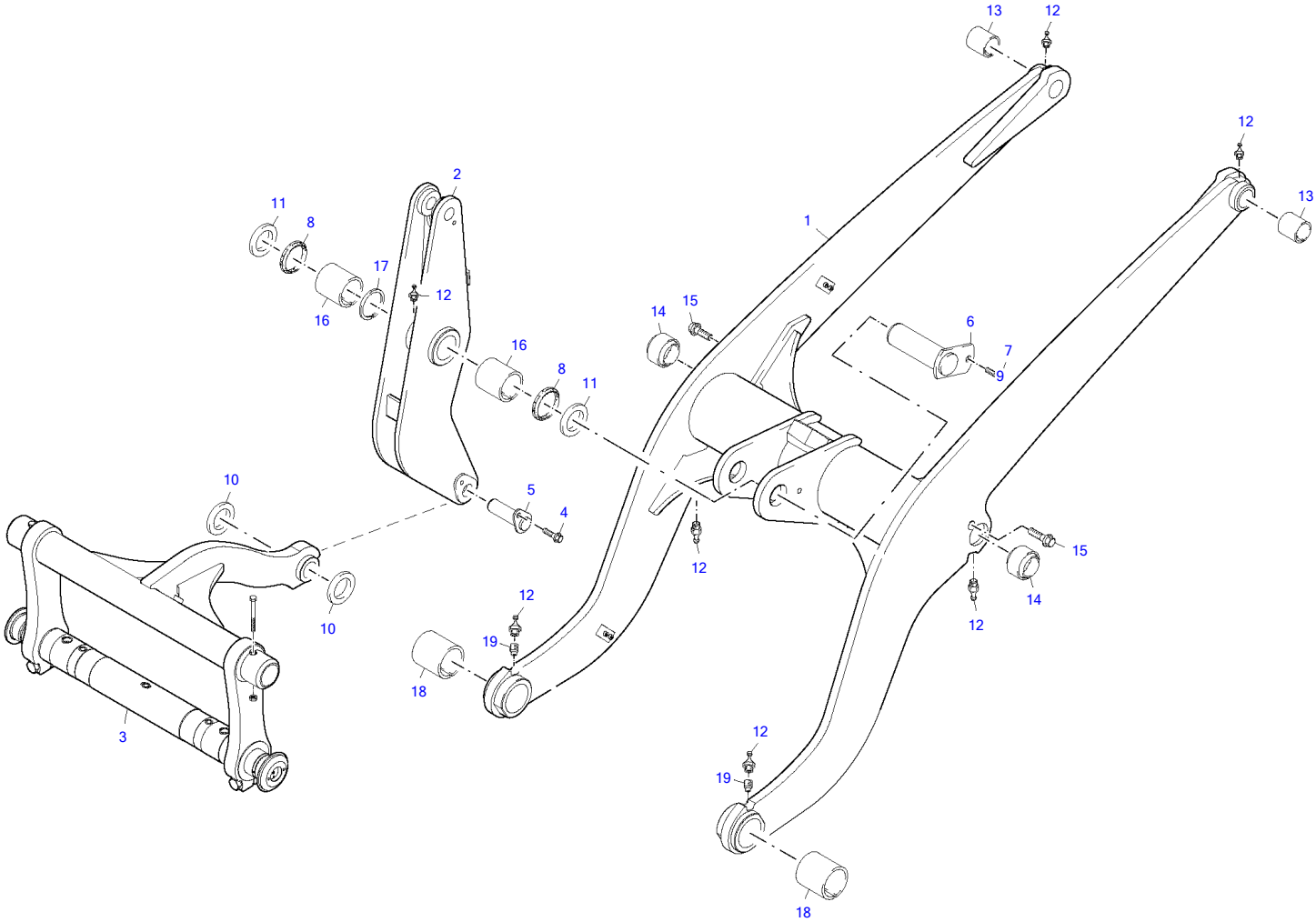


**WHEEL LOADER**

**TAKEUCHI**



Item	Part number	Description	Index	Q'ty	Chan.	Serial No.	Serv.	Remarks
1	8003072	Lifting Unit						
2	8002532	Base Frame						
3	8011561	Steering Hydraulics						
	8011945	Working Hydraulics						
	8017507	Return Hydraulics						
	8017454	Driving Hydraulics						
	8017642	Hydraulic Lifting Unit						
	8016545	Hyd Quick Release Eq						
4	8017492	Pilot Control Compl						
	8007923	Server Contr Bracket						
5	8017657	Directional Valve						
	8011331	Valve Compl						
6	8005560	Brake Throttle Valve						
7	8017566	Working Ram						
9	8017548	Lifting Ram						
11	3959515	Steering Ram						
13	8009636	Return Filter Compl						
14	8008690	Electric System						
	8008388	Electric System Cabin						
	8008597	Printed Circuit Compl						
	8009633	Working Headlight Compl						
15	8017415	Drive Set						
16	8011116	Diesel Engine Compl						
	8008274	Exhaust Installation						
17	8005490	Inch-Actuator						
18	3944347	Air Filter System						
19	8017230	Oil Pressure Pump Compl						
	8016978	Oil Pressure Pump 12V						
	8016978	Oil Pressure Pump Compl 12V						
	8016981	Oil Motor						
20	8006363	Front Axle						
	8009258	Axle Pipe						
21	8006364	Rear Axle						
	8009258	Axle Pipe						
	8000892	Brake Disk						
	8009421	Rear Axle Multiple Disk Brake						
22	8008536	Fuel Supply System						
23	8008016	Driver's Seat						
	8008626	Seat Lower Part Compl						
24	8003354	Cabin						
	8003297	Cabin Door Left						
	8003340	Lining						
	8004889	Wiper System						
	3930421	Steering Column Compl						
25	8003071	Hyd Quick Release Eq						
26	3705791	Pallet Fork Compl						
27	8003053	Heating Circuit						
28	8016611	Decals and Accessories						
	8016644	Protective Hoses						
30	8011730	Covering						
	8016809	Engine Hood Compl						
	8008759	Covering						
99	8018983	Maintenance Filter Kits						



Item	Part number	Description	Lifting Unit			Remarks
			Q'ty	Chan.	Serial No.	
	<b>8003072</b>	Lifting Unit	1			
1	<b>8002521</b>	Boom Compl	1			
2	<b>8003055</b>	Shift Lever Compl	1			
3	<b>8003071</b>	Hyd Quick Release Eq	1			
4	<b>1783337</b>	Serrated Hex Head Screw	1			
5	<b>0877689</b>	Pin Compl	1			
6	<b>0847887</b>	Pin Compl	1			
7	<b>1782905</b>	Serrated Hex Head Screw	1			
8	<b>0809472</b>	Wiper Seal	2			
10	<b>1782654</b>	Disk 1.0 MM	1			
	<b>8003252</b>	Disk 1.2 MM	1			
	<b>8003253</b>	Disk 1.5 MM	1			
	<b>1782665</b>	Disk 2.0 MM	1			
11	<b>2909079</b>	Disk 1.0 MM	1			
	<b>2909091</b>	Disk 1.2 MM	1			
	<b>2909104</b>	Disk 1.5 MM	1			
	<b>2909080</b>	Disk 2.0 MM	1			
12	<b>0324590</b>	Grease Nipple	7			
13	<b>8004387</b>	Split Bush	2			
14	<b>2915806</b>	Spherical Bearing	2			
15	<b>2916794</b>	Self-Locking Bolt	2			
16	<b>8004388</b>	Split Bush	2			
17	<b>2961437</b>	Circlip	1			
18	<b>8004389</b>	Split Bush	2			
19	<b>2985537</b>	Threaded Pin	2			

**Thanks for your reading.**

**Please click here to download complete manual instantly.**

**And can also choose other manuals.**

**Feel free --->write to me with any questions.**

**Our service email:**

**manuals007@hotmail.com**