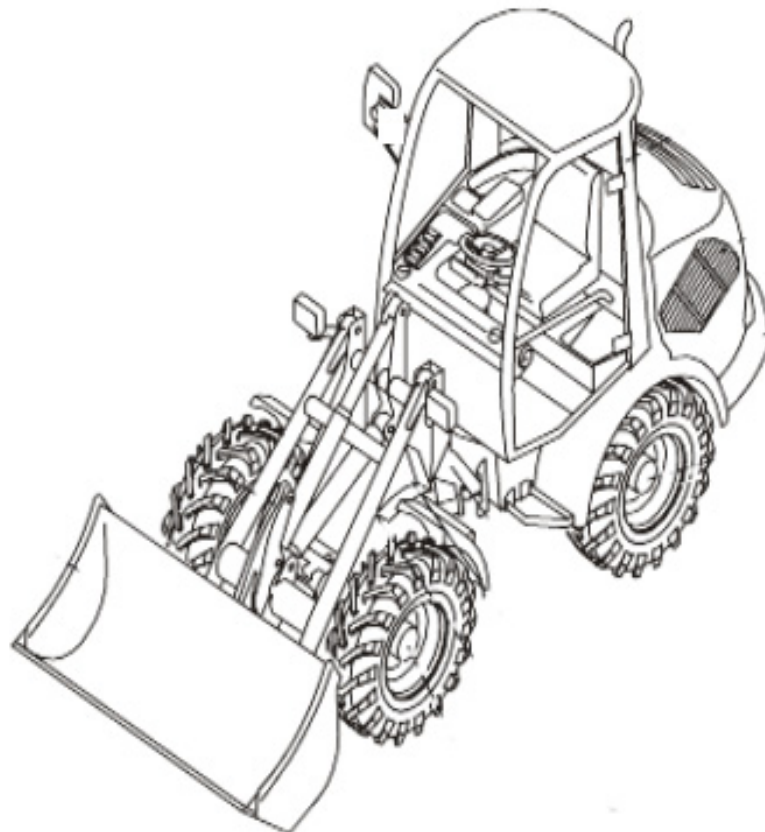


PARTS MANUAL

TW60

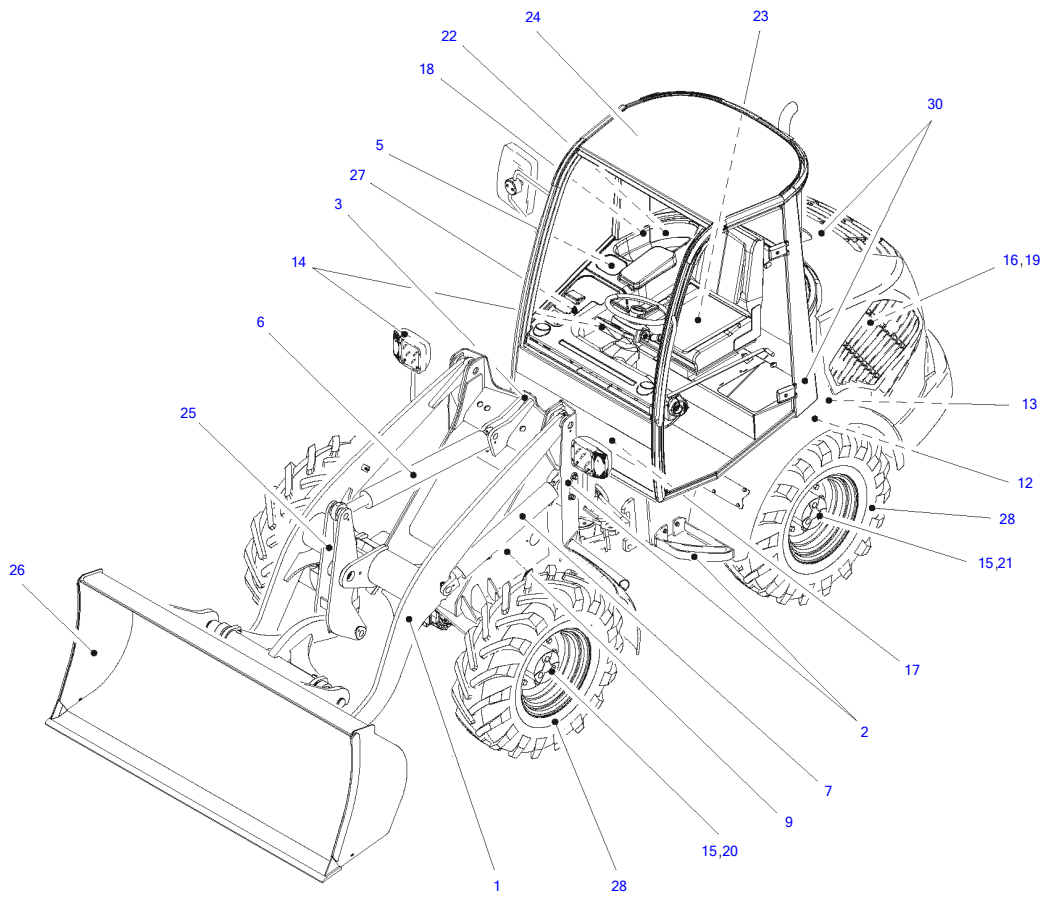
Serial No. E106776~

Book No. 8017235

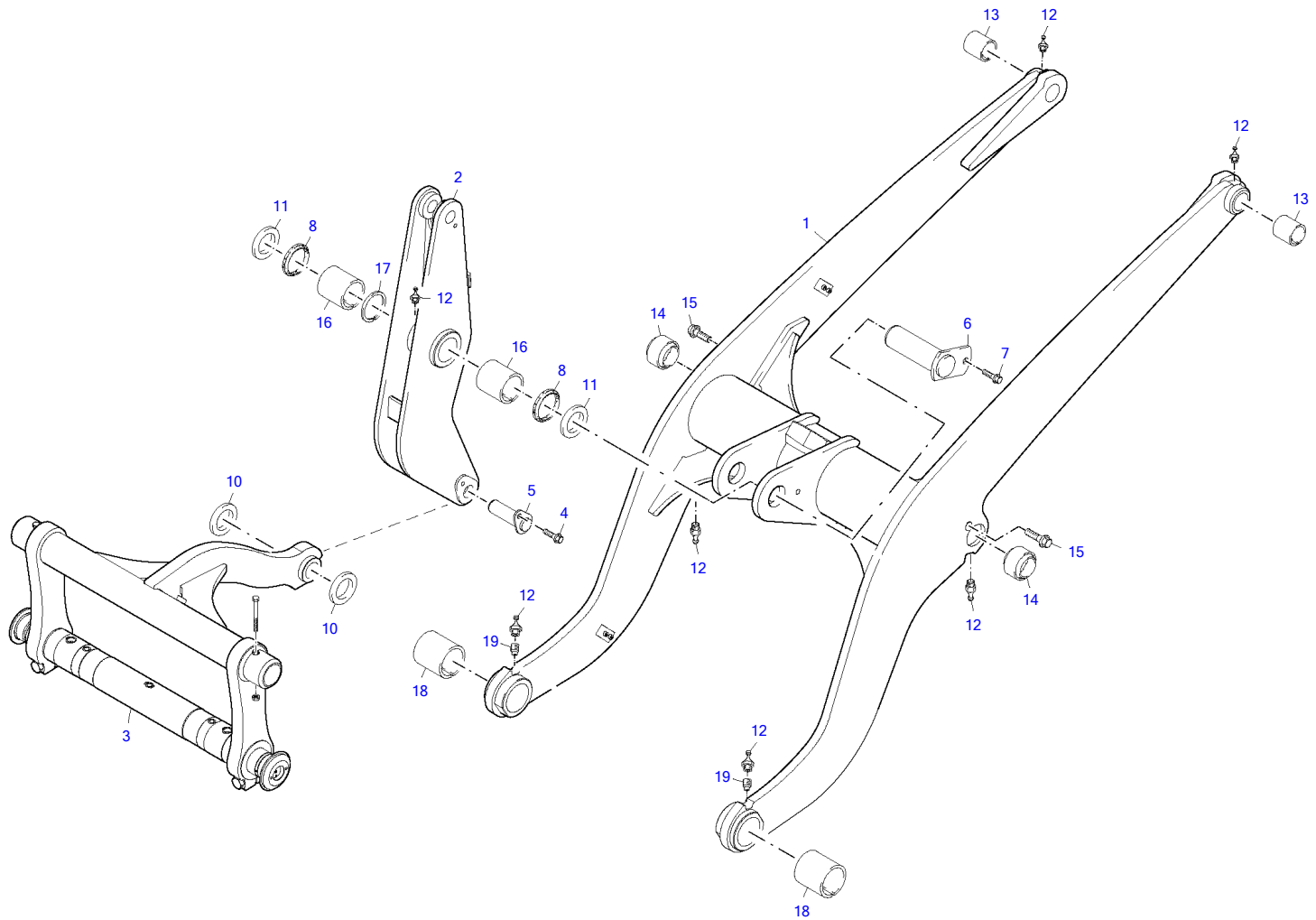


WHEEL LOADER

TAKEUCHI

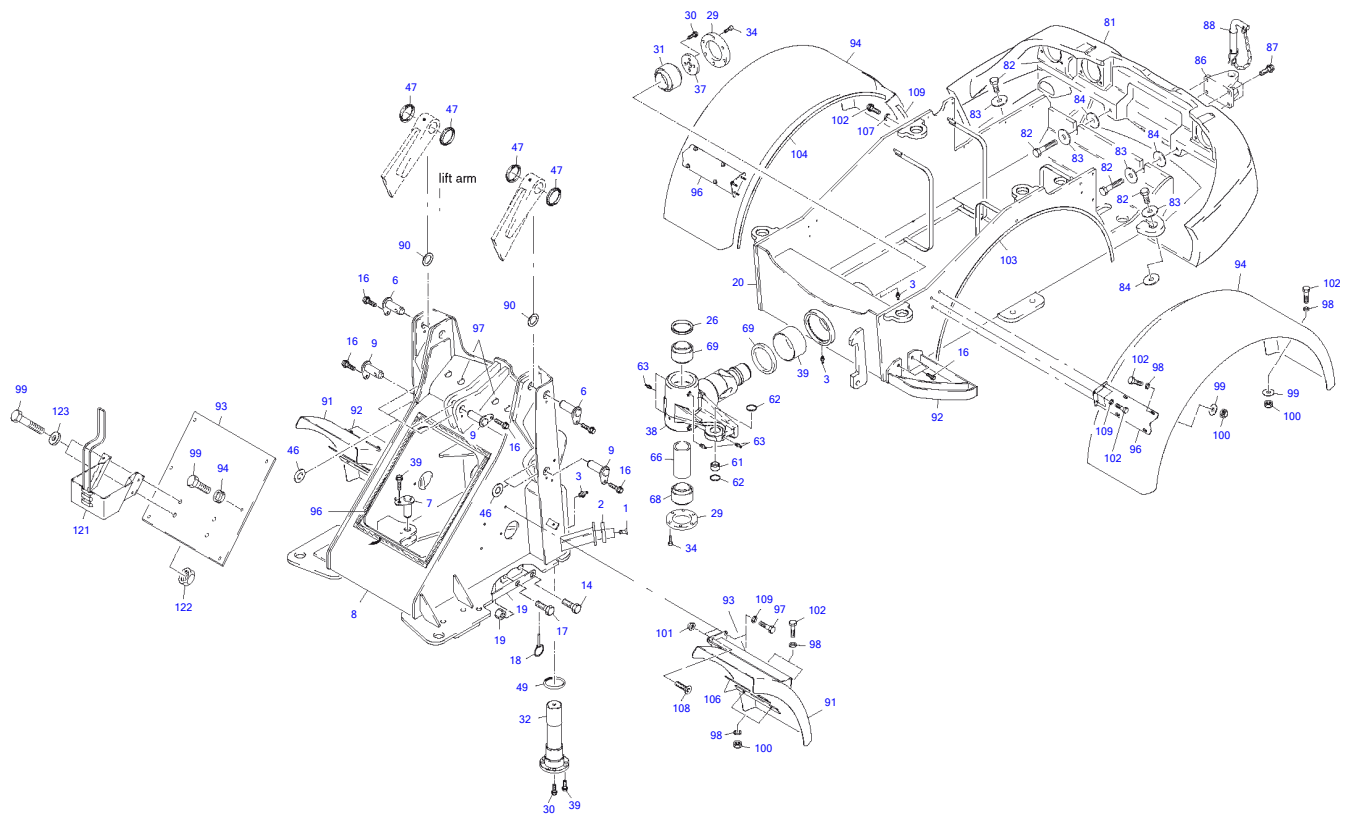


| Item | Part number | Description | Index | | | | |
|------|-------------|--------------------------|-------|-------|------------|-------|---------|
| | | | Q'ty | Chan. | Serial No. | Serv. | Remarks |
| 1 | 8003072 | Lifting Unit | | | | | |
| 2 | 5820059 | Base Frame | | | | | |
| 3 | 5820072 | Steering Hydraulics | | | | | |
| | 5820069 | Working Hydraulics | | | | | |
| | 8016949 | Return Hydraulics | | | | | |
| | 5820070 | Driving Hydraulics | | | | | |
| | 8018601 | Hydraulic Lifting Unit | | | | | |
| | 8016545 | Hydraulic | | | | | |
| | 8012416 | Locking Device | | | | | |
| 5 | 5820138 | Directional Valve | | | | | |
| | 8002252 | Brake Throttle Valve | | | | | |
| 6 | 3959537 | Working Cylinder | | | | | |
| 7 | 3959526 | Lifting Cylinder | | | | | |
| 9 | 3959515 | Steering Cylinder | | | | | |
| 12 | 5820062 | Hydraulic Tank Compl | | | | | |
| 13 | 5820066 | Return Filter | | | | | |
| 14 | 5820074 | Electric System | | | | | |
| | 8016811 | Electric System (Canopy) | | | | | |
| | 8008597 | Printed Circuit Board | | | | | |
| | 8012903 | Working Headlights | | | | | |
| 15 | 5820056 | Drive Set | | | | | |
| 16 | 8016801 | Diesel Engine Compl | | | | | |
| | 8020983 | Heating Kit | | | | | |
| | 8016950 | Exhaust Installation | | | | | |
| 17 | 8014176 | Pedal Mechanism | | | | | |
| 18 | 8016941 | Air Filter System | | | | | |
| 19 | 5820115 | Oil Pressure Pump | | | | | |
| | 8019517 | Oil Pressure Pump 12V | | | | | |
| | 8019523 | Oil Motor | | | | | |
| 20 | 5820057 | Front Axle | | | | | |
| | 8014145 | Axle Pipe | | | | | |
| 21 | 5820058 | Rear Axle | | | | | |
| | 8014145 | Axle Pipe | | | | | |
| | 8009421 | Rear Axle Multiple | | | | | |
| 22 | 8019993 | Fuel Supply System | | | | | |
| 23 | 8013032 | Driver's Seat Compl | | | | | |
| | 8014478 | Seat Bottom Part | | | | | |
| 24 | 8016507 | Cabin Canopy | | | | | |
| | 8012821 | FOPS Grating Compl | | | | | |
| | 8020364 | Window Panes Kits | | | | | |
| | 8013842 | Cabin Door Compl | | | | | |
| | 8015598 | Hinged Right Side Window | | | | | |
| | 8014357 | Covering Canopy | | | | | |
| | 8015046 | Protective Canopy | | | | | |
| | 8014185 | Steering Column Compl | | | | | |
| 25 | 8003071 | Hyd Quick Release Eq | | | | | |
| 26 | 3705791 | Pallet Fork Compl | | | | | |
| | 8020453 | Heating Kit | | | | | |
| 28 | 8016620 | Decals & Accessories | | | | | |
| | 8016644 | Protective Hoses | | | | | |
| | 8018800 | Filter Set | | | | | |
| 30 | 5820078 | Covering | | | | | |
| | 8016808 | Engine Hood Compl | | | | | |
| 99 | 8018800 | Maintenance Filter Kits | | | | | |



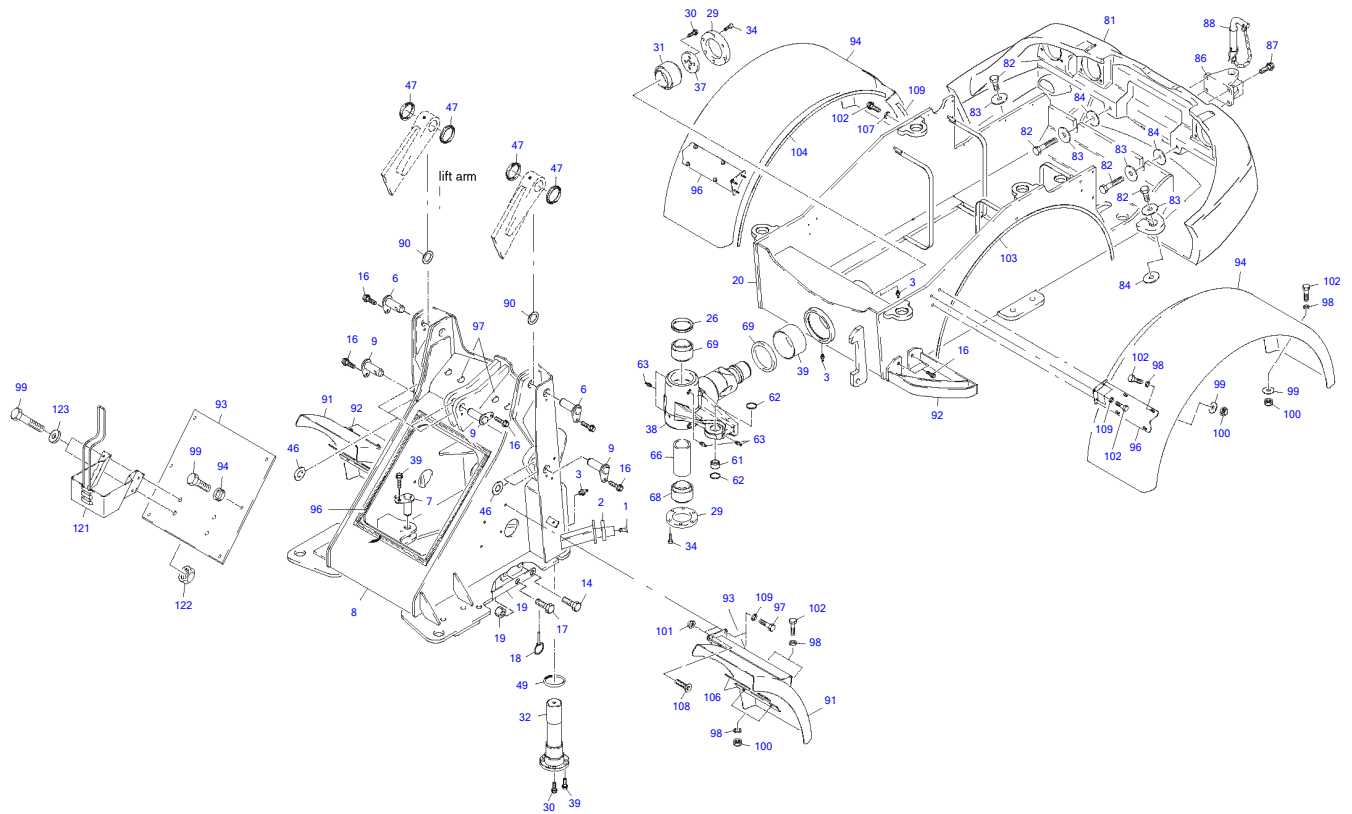
| Item | Part number | Description | Lifting Unit | | | |
|------|----------------|-------------------------|--------------|-------|------------|---------------|
| | | | Q'ty | Chan. | Serial No. | Serv. Remarks |
| | 8003072 | Lifting Unit | 1 | | | |
| 1 | 8002521 | Lifting Arm Compl | 1 | | | |
| 2 | 8003055 | Lever | 1 | | | |
| 3 | 8003071 | Hydraulic Quick Release | 1 | | | |
| 4 | 1783337 | Serrated Hex Head Screw | 1 | | | |
| 5 | 0877689 | Bolt Compl | 1 | | | |
| 6 | 0847887 | Bolt Compl | 1 | | | |
| 7 | 1782905 | Serrated Hex Head Screw | 1 | | | |
| 8 | 0809472 | Ring | 2 | | | |
| 10 | 1782654 | Disk 1.0 MM | 1 | | | |
| | 8003252 | Disk 1.2 MM | 1 | | | |
| | 8003253 | Disk 1.5 MM | 1 | | | |
| | 1782665 | Disk 2.0 MM | 1 | | | |
| 11 | 2909079 | Disk 1.0 MM | 1 | | | |
| | 2909091 | Disk 1.2 MM | 1 | | | |
| | 2909104 | Disk 1.5 MM | 1 | | | |
| | 2909080 | Disk 2.0 MM | 1 | | | |
| 12 | 0324590 | Grease Nipple | 7 | | | |
| 13 | 8004387 | Split Bush | 2 | | | |
| 14 | 2915806 | Spherical Bearing | 2 | | | |
| 15 | 2916794 | Self-Locking Screw | 2 | | | |
| 16 | 8004388 | Split Bush | 2 | | | |
| 17 | 2961437 | Circlip | 1 | | | |
| 18 | 8004389 | Split Bush | 2 | | | |
| 19 | 2985537 | Threaded Pin | 2 | | | |

TW60 Book No. 8017235 01.10 S/N E106776
Base Frame



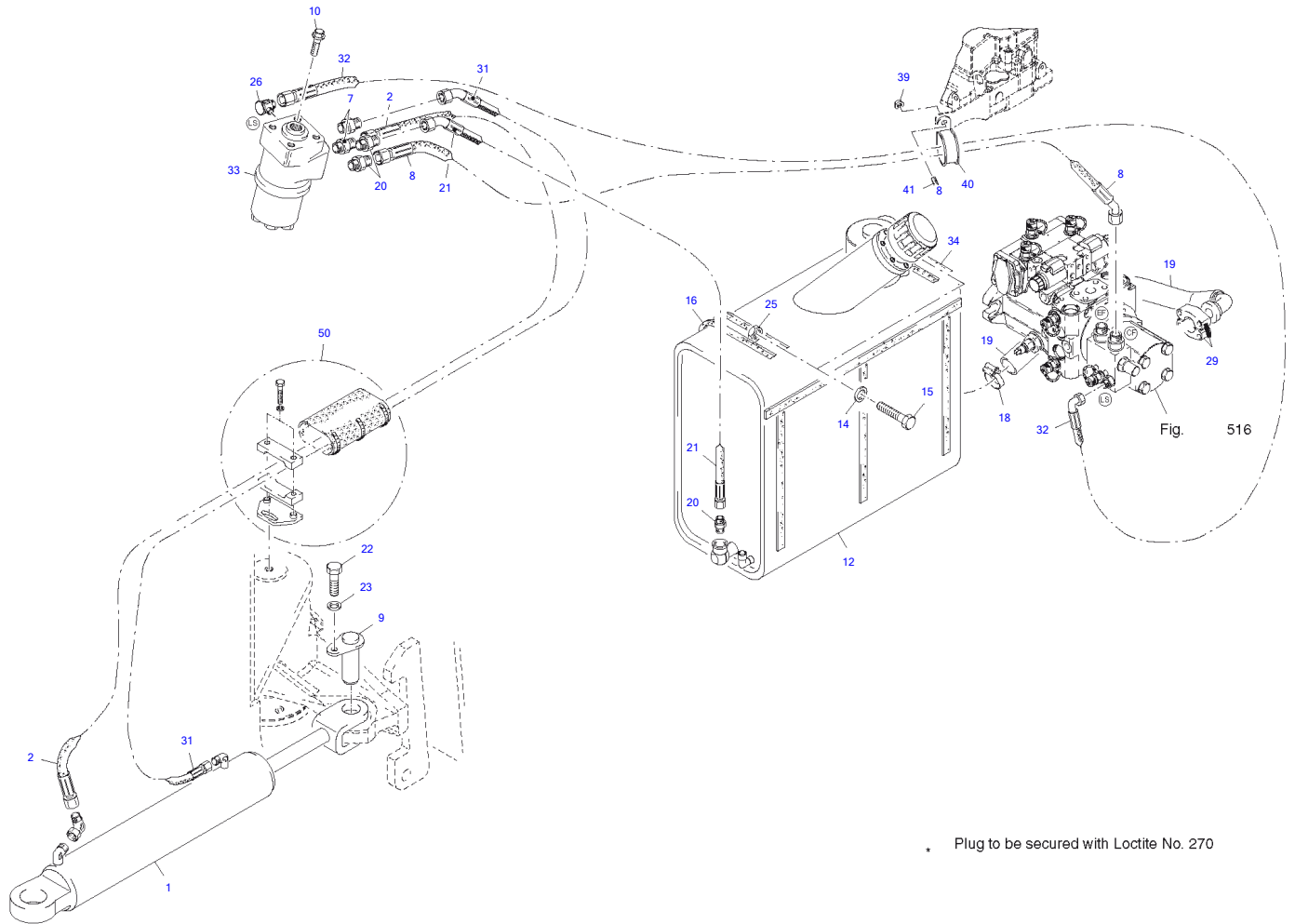
| Item | Part number | Description | Base Frame Q'ty | Chan. | Serial No. | Serv. | Remarks |
|------|----------------|-------------------------|--------------------|-------|------------|-------|---------|
| | 5820059 | Base Frame | 1 | | | | |
| 1 | 1307171 | Countersunk Screw A3C | 4 | | | | |
| 2 | 5820162 | Stop Plate | 2 | | | | |
| 3 | 0324590 | Grease Nipple | 2 | | | | |
| 5 | 8017583 | Bolt Compl | 2 | | | | |
| 6 | 8017589 | Bolt Compl | 2 | | | | |
| 7 | 3945177 | Bolt Compl | 1 | | | | |
| 8 | 5820257 | Frame Front | 1 | | | | |
| 9 | 8017582 | Bolt Compl | 1 | | | | |
| 14 | 1627236 | Hex Head Screw A3C | 1 | | | | |
| 15 | 0327322 | Nut A3C | 1 | | | | |
| 16 | 1783337 | Serrated Hex Head Screw | 7 | | | | |
| 17 | 1014053 | Special Screw | 1 | | | | |
| 18 | 1011163 | Split Pin | 1 | | | | |
| 19 | 5820128 | Safety Rod Compl | 1 | | | | |
| 20 | 5820000 | Rear Frame | 1 | | | | |
| | 8016927 | Rear Frame | 1 | | | | |
| 26 | 0884177 | V-Ring | 1 | | | | |
| 29 | 0896740 | Disk | 2 | | | | |
| 30 | 0884166 | Self-Locking Bolt | 8 | | | | |
| 31 | 2919388 | Spherical Bearing | 1 | | | | |
| 32 | 3923820 | Pin | 1 | | | | |
| 34 | 0321371 | Hex Head Cap Screw | 12 | | | | |
| 35 | 2441632 | Bush | 1 | | | | |
| 37 | 0896773 | Disk | 1 | | | | |
| 38 | 3741477 | Artic Pend Joint | 1 | | | | |
| 39 | 3762610 | Self-Locking Bolt | 5 | | | | |
| 46 | 8004668 | Disk 1.0 MM | 1 | | | | |
| | 8004669 | Disk 1.2 MM | 1 | | | | |
| | 8004670 | Disk 1.5 MM | 1 | | | | |
| | 8004671 | Disk 2.0 MM | 1 | | | | |
| 47 | 8002032 | Ring | 4 | | | | |
| 48 | 4674104 | Shim 1.0 MM | 1 | | | | |
| | 8001149 | Shim 1.5 MM | 1 | | | | |
| | 4626253 | Shim 2.0 MM | 1 | | | | |
| 49 | 2916363 | O-Ring | 1 | | | | |
| 50 | 8003214 | Washer 1.00 MM | 1 | | | | |
| | 8003215 | Washer 1.20 MM | 1 | | | | |
| | 8003216 | Washer 1.50 MM | 1 | | | | |
| | 8003217 | Washer 2.00 MM | 1 | | | | |
| 52 | 8013759 | Left Climb Bracket | 1 | | | | |
| 53 | 3940569 | Front Cover | 1 | | | | |
| 54 | 8016479 | Locking Washer | 6 | | | | |
| 55 | 0893236 | Hex Head Screw A3C | 10 | | | | |
| 56 | 1898686 | Sealing Strip 1900 MM | 1 | | | | |
| 57 | 3935302 | Protecting Cap | 2 | | | | |
| 61 | 0447032 | Spherical Bearing | 1 | | | | |
| 62 | 0318069 | Circlip Tone 400 | 2 | | | | |
| 63 | 0300569 | Grease Nipple | 5 | | | | |
| 65 | 2919399 | Spherical Bearing | 1 | | | | |
| 66 | 0896751 | Spacer | 1 | | | | |
| 68 | 2919388 | Spherical Bearing | 1 | | | | |
| 69 | 0896762 | Distance Ring | 1 | | | | |
| 81 | 5820133 | Counter Weight | 1 | | | | |
| 82 | 1618393 | Hex Head Screw A3C | 4 | | | | |
| 83 | 1781813 | Disk | 4 | | | | |
| 84 | 3930885 | Washer A3C 2.0 MM | 1 | | | | |
| | 3930896 | Washer A3C 3.0 MM | 1 | | | | |
| | 1781802 | Washer A3C 4.0 MM | 1 | | | | |
| | 3930909 | Washer A3C 5.0 MM | 1 | | | | |
| 86 | 3944949 | Draw BAR Coupling | 1 | | | | |
| 87 | 2993151 | Serrated Hex Head Screw | 4 | | | | |
| 88 | 3944574 | Pin | 1 | | | | |
| 91 | 5820097 | Front Fender | 2 | | | | |
| 92 | 8015855 | Right Holder Compl | 1 | | | | |
| 93 | 8015858 | Left Holder Compl | 1 | | | | |
| 94 | 5820099 | Right Rear Fender | 1 | | | | |
| 95 | 5820100 | Left Rear Femder | 1 | | | | |

TW60 Book No. 8017235 01.10 S/N E106776
Base Frame



| Item | Part number | Description | Base Frame Q'ty | Chan. | Serial No. | Serv. | Remarks |
|------|----------------|-----------------------|--------------------|-------|------------|-------|---------|
| 96 | 5820101 | Holder Compl | 2 | | | | |
| 97 | 0893189 | Hex Head Screw A3C | 4 | | | | |
| 98 | 0863138 | Washer A3C | 32 | | | | |
| 99 | 2481254 | Ripp Wsher A3C | 16 | | | | |
| 100 | 0399760 | Nut A3C | 24 | | | | |
| 101 | 1722787 | Serrated Nut | 6 | | | | |
| 102 | 0893214 | Hex Head Screw A3C | 31 | | | | |
| 103 | 1898686 | Packing Strap 1710 MM | 1 | | | | |
| 104 | 1898686 | Packing Strap 1280 MM | 1 | | | | |
| 105 | 1898686 | Packing Strap 320 MM | 1 | | | | |
| 106 | 5820170 | Plate | 4 | | | | |
| 107 | 2481254 | Ripp Washer A3C | 1 | | | | |
| 108 | 1398385 | Countersunk Screw A3C | 2 | | | | |
| 109 | 3939464 | Ripp Washer A3C | 10 | | | | |
| 121 | 0806264 | Wheel Chock Holder | 1 | | | | |
| 122 | 0399760 | Hex Nut A3C | 4 | | | | |
| 123 | 0863138 | Washer A3C | 4 | | | | |

TW60 Book No. 8017235 01.10 S/N E106776
Steering Hydraulics



Thanks for your reading.

Please click here to download complete manual instantly.

And can also choose other manuals.

Feel free --->write to me with any questions.

Our service email:

manuals007@hotmail.com