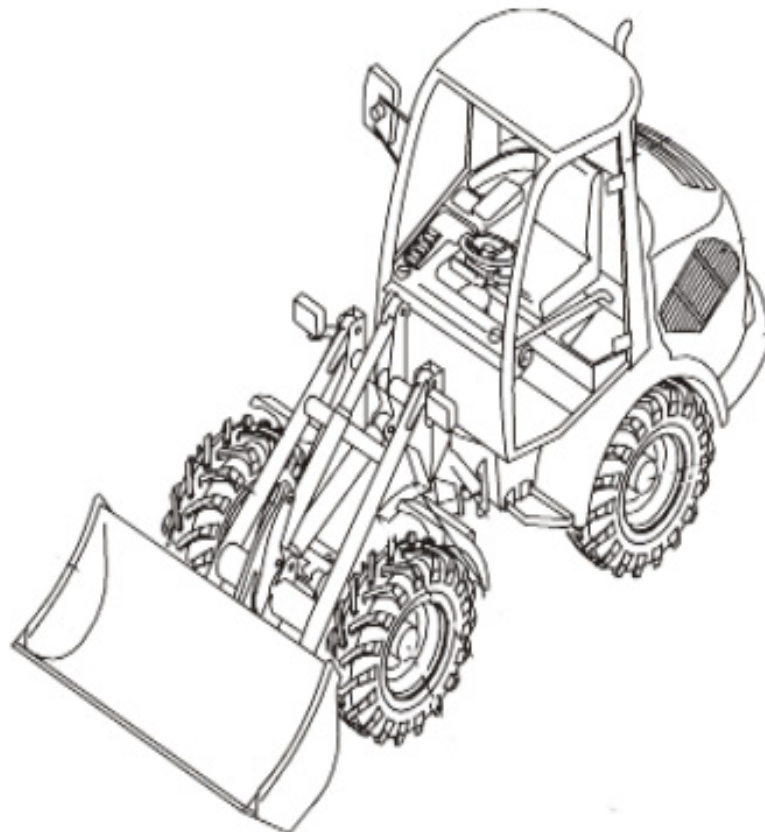


# PARTS MANUAL

**TW50**

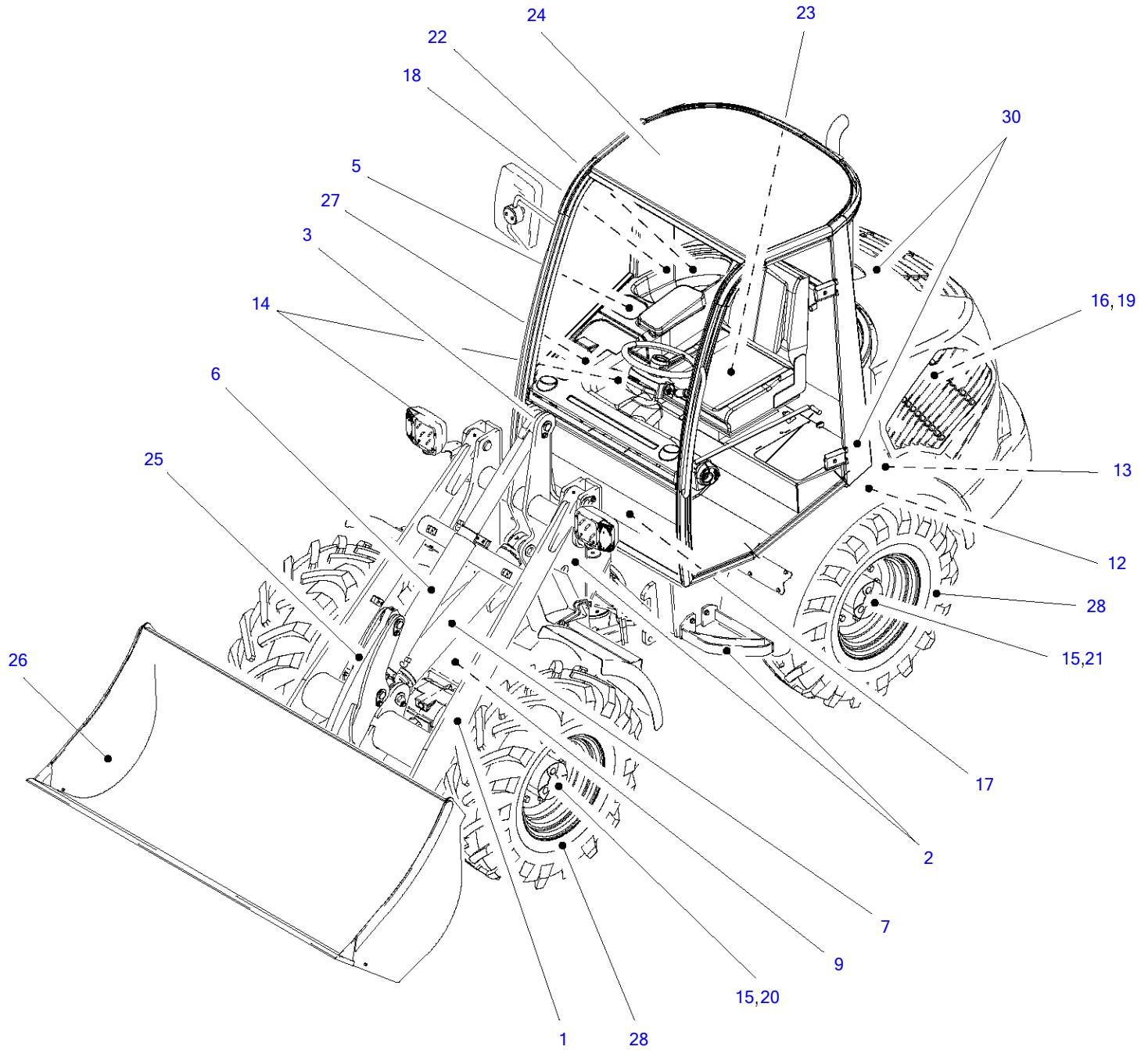
Serial No. E105833~

Book No. 8017699

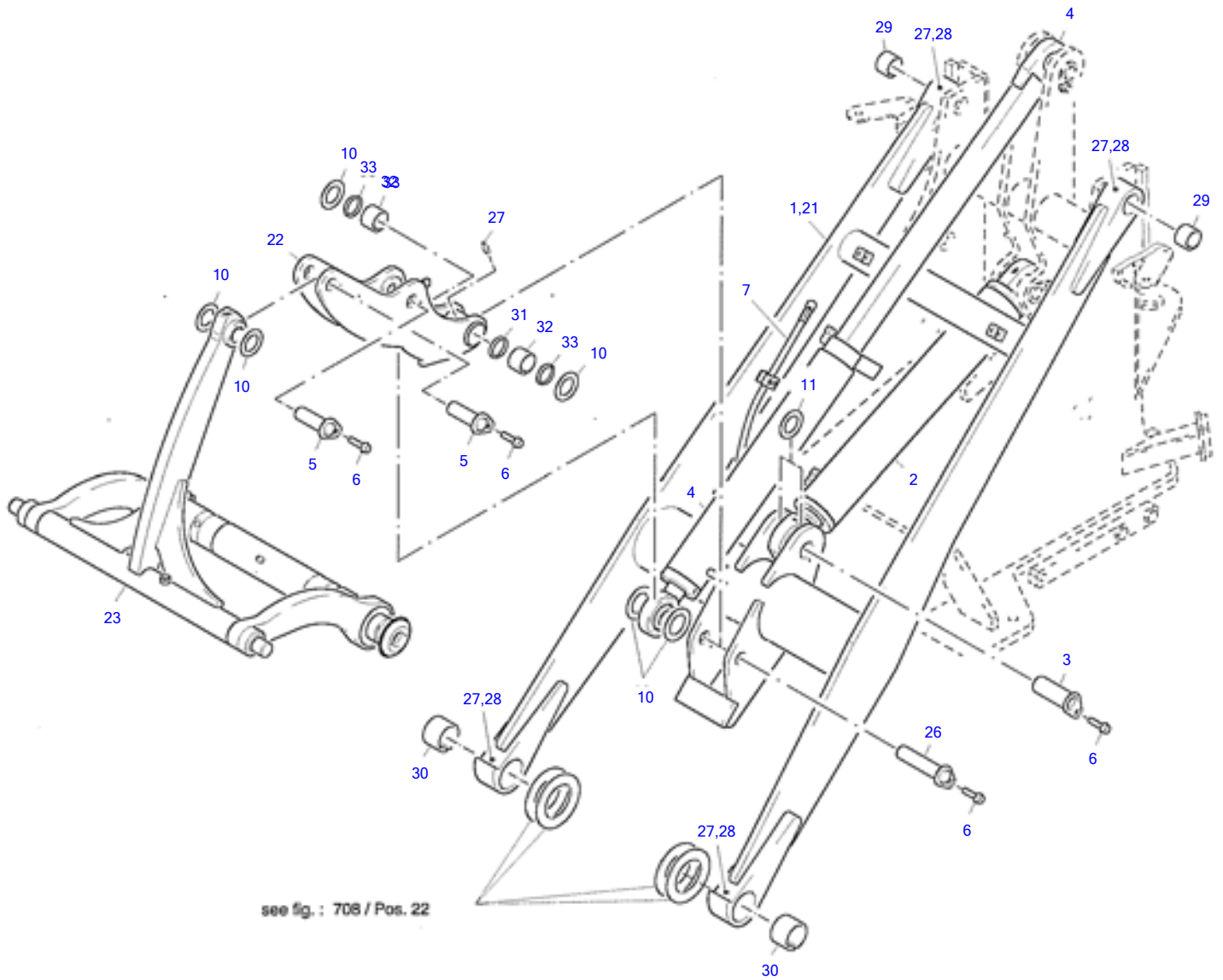


**WHEEL LOADER**

**TAKEUCHI**

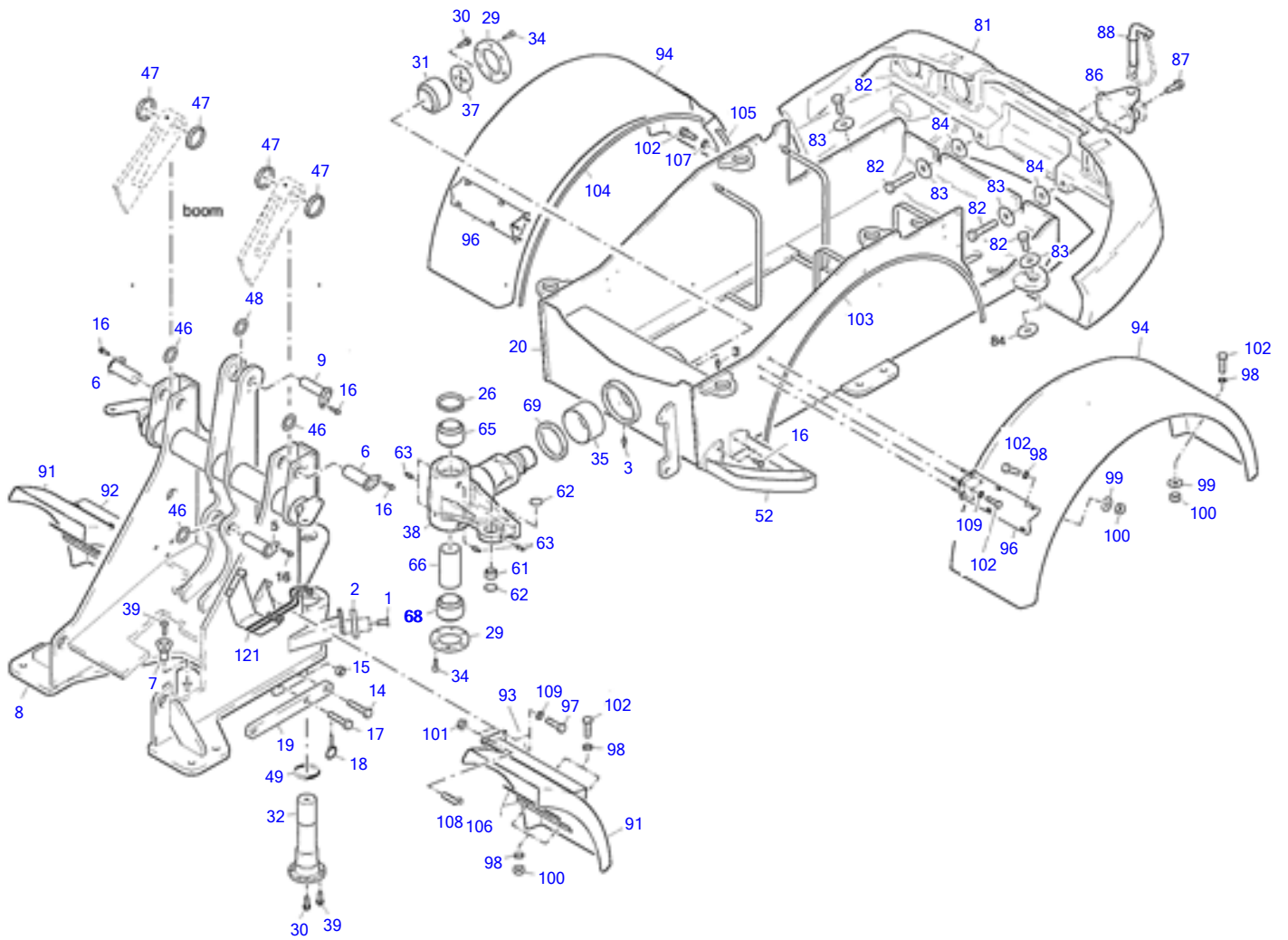


Item	Part number	Description	Main			
			Q'ty	Chan.	Serial No.	Serv. Remarks
1	8017301	Lifting Unit				
2	5820059	Base Frame				
3	5820072	Steering Hydraulics				
	5820069	Working Hydraulics				
	8016949	Return Hydraulics				
	5820070	Driving Hydraulics				
	8016629	Hydraulic System QRC				
	8012416	Locking Device				
5	5820138	Directional Valve				
	8002252	Brake Throttle Valve				
6	3762245	Working Ram				
7	8000638	Lifting Ram				
9	3959515	Steering Ram				
12	5820062	Hydraulic Tank Compl				
13	5820066	Return Filter				
14	5820074	Electric System				
	8016811	Electric System (Canopy)				
	8008597	Printed Circuit Compl				
	8012903	Working Headlights				
15	5820056	Drive Set				
16	8016801	Diesel Engine				
	8016950	Exhaust System				
17	8014176	Foot Pedal Mechanism				
18	8016941	Air Filter System				
19	5820115	Oil Pressure Pump Compl				
	8019516	Oil Pressure Pump 12V				
	8019522	Oil Motor				
20	5820057	Front Axle				
	8014145	Front Axle Pipe				
21	5820058	Rear Axle				
	8014145	Rear Axle Pipe				
	8009421	Rear Axle Multiple				
22	8019993	Fuel System				
23	8013032	Driver's Seat Compl				
24	8016507	Cabin Canopy				
	8012821	FOPS-Grating Compl				
	8020364	Window Panes Kit				
	8013842	Cabin Door Compl				
	8015598	Hinged Rear Side Window				
	8014357	Covering Canopy				
	8015046	Protective Canopy				
	8014185	Steering Column Compl				
25	8010455	Hyd Quick Release Eq				
26	3705155	Pallet Fork Compl				
27	8020453	Heating Kit				
28	8016620	Decals & Accessories				
	8016643	Protective Hoses				
30	5820078	Covering Compl				
	8016808	Engine Hood Compl				
99	8018800	Maintenance Filter Kits				



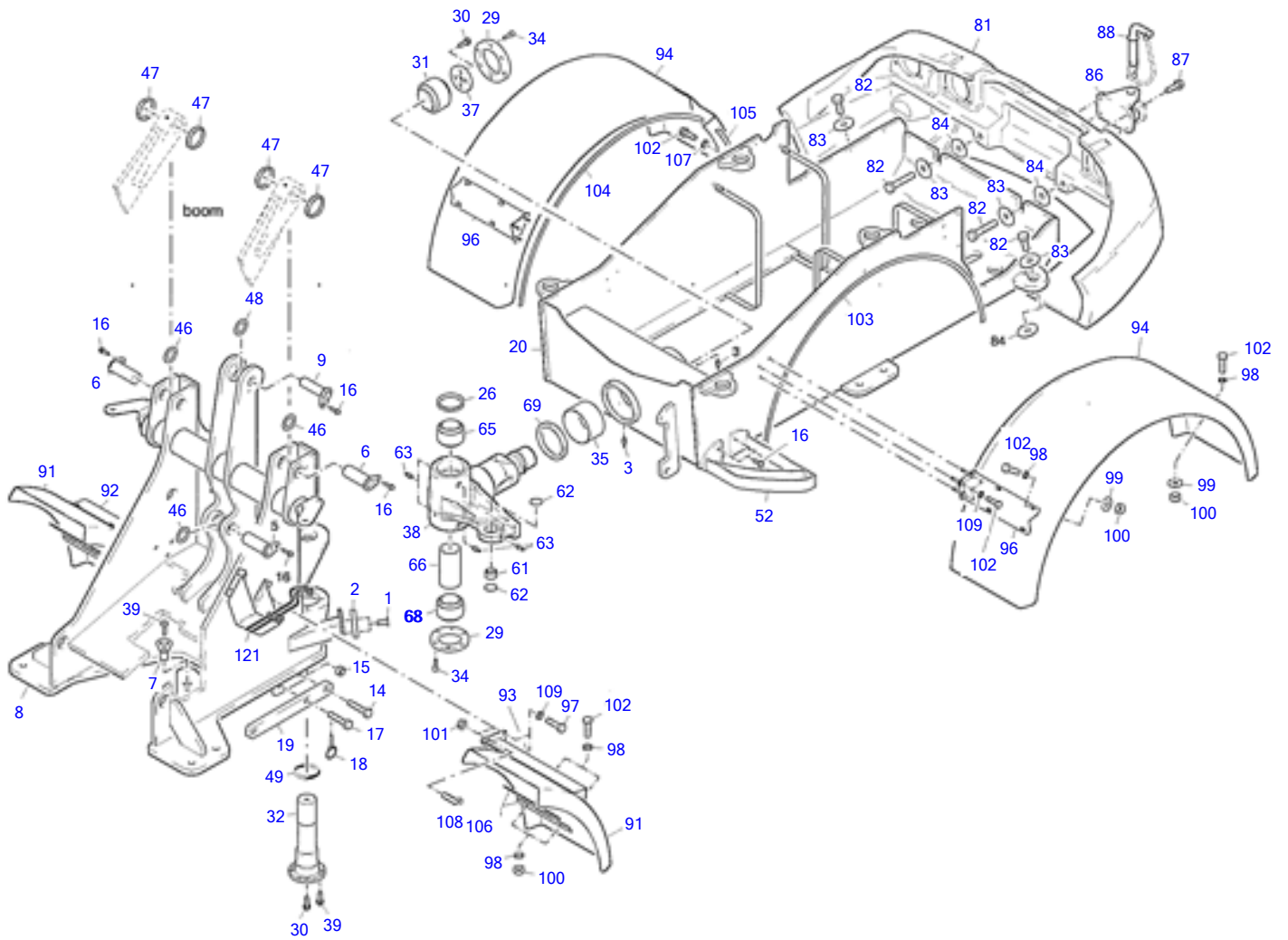
Item	Part number	Description	Lifting Unit				Remarks
			Q'ty	Chan.	Serial No.	Serv.	
	8017301	Lifting Unit	1				
	8016631	Hydraulic Lifting Unit	1				
1	5820015	Lifting Unit	1				
2	8000638	Lifting Ram	1				
3	8017581	Bolt Compl	1				
4	3762245	Working Ram	1				
5	8017587	Bolt Compl	2				
6	1783337	Serrated Hex Head Screw	4				
7	8016629	Hydraulic QRC	1				
10	4674104	Shim 1.0 MM	1				
	8001149	Shim 1.5 MM	1				
	4626253	Shim 2.0 MM	1				
11	8004668	Disk 1.0 MM	1				
	8004669	Disk 1.2 MM	1				
	8004670	Disk 1.5 MM	1				
	8004671	Disk 2.0 MM	1				
21	5820016	Boom Compl	1				
22	5820011	Shift Lever Compl	1				
23	8010455	Hyd Quick Release Eq	1				
26	5820290	Pin Compl	1				
27	0324590	Grease Nipple	5				
28	2985537	Threaded Pin	4				
29	8012304	Split Bush	2				
30	8004389	Split Bush	2				
31	1746752	Split Bush	1				
32	8012367	Split Bush	2				
33	8001980	Wiper Seal	2				

TW50 Book No. 8017699 01.10 S/N E105833  
Base Frame



Item	Part number	Description	Base Frame Q'ty	Chan.	Serial No.	Serv.	Remarks
	<b>5820059</b>	Base Frame	1				
1	<b>1307171</b>	Countersunk Screw A3C	4				
2	<b>5820162</b>	Stop Plate	2				
3	<b>0324590</b>	Grease Nipple	2				
5	<b>8017591</b>	Bolt Compl	1				
6	<b>8017590</b>	Bolt Compl	2				
7	<b>8017579</b>	Bolt Compl	1				
8	<b>5820012</b>	Frame Front	1				
9	<b>8017583</b>	Bolt Compl	1				
14	<b>1627236</b>	Hex Head Screw A3C	1				
15	<b>0327322</b>	Nut A3C	1				
16	<b>1783337</b>	Serrated Hex Head Screw	6				
17	<b>1014053</b>	Special Screw	1				
18	<b>1011163</b>	Split Pin	1				
19	<b>5820128</b>	Safety Rod Compl	1				
20	<b>5820000</b>	Rear Frame Perkins	1				
	<b>8016927</b>	Rear Frame Deutz	1				
26	<b>0884177</b>	V-Ring	1				
29	<b>0896740</b>	Disk	2				
30	<b>0884166</b>	Self-Locking Bolt	8				
31	<b>2919388</b>	Spherical Bearing	1				
32	<b>3923820</b>	Pin	1				
34	<b>0321371</b>	Hex Head Cap Screw	12				
35	<b>2441632</b>	Bush	1				
37	<b>0896773</b>	Disk	1				
38	<b>3741477</b>	Artic Pend Joint	1				
39	<b>3762610</b>	Self-Locking Bolt	5				
46	<b>8004668</b>	Disk 1.0 MM	1				
	<b>8004669</b>	Disk 1.2 MM	1				
	<b>8004670</b>	Disk 1.5 MM	1				
	<b>8004671</b>	Disk 2.0 MM	1				
47	<b>1673458</b>	Wiper Seal	4				
48	<b>4674104</b>	Shim 1.0 MM	1				
	<b>8001149</b>	Shim 1.5 MM	1				
	<b>4626253</b>	Shim 2.0 MM	1				
49	<b>2916363</b>	O-Ring	1				
52	<b>8013759</b>	Left Climb Bracket	1				
61	<b>0447032</b>	Spherical Bearing	1				
62	<b>0318069</b>	Circlip Tone 40	2				
63	<b>0300569</b>	Grease Nipple	5				
65	<b>2919399</b>	Spherical Bearing	1				
66	<b>0896751</b>	Spacer	1				
68	<b>2919388</b>	Spherical Bearing	1				
69	<b>0896762</b>	Distance Ring	1				
81	<b>5820061</b>	Counter Weight	1				
82	<b>1618393</b>	Hex Head Screw A3C	4				
83	<b>1781813</b>	Disk	4				
84	<b>3930885</b>	Washer A3C 2.0 MM	1				
	<b>3930896</b>	Washer A3C 3.0 MM	1				
	<b>1781802</b>	Washer A3C 4.0 MM	1				
	<b>3930909</b>	Washer A3C 5.0 MM	1				
86	<b>3944949</b>	Draw Bar Coupling	1				
87	<b>2993151</b>	Serrated Hex Head Screw	4				
88	<b>3944574</b>	Pin	1				
91	<b>5820097</b>	Front Fender	2				
92	<b>8015855</b>	Right Holder Compl	1				
93	<b>8015858</b>	Left Holder Compl	1				
94	<b>5820099</b>	Right Rear Fender	1				
95	<b>5820100</b>	Left Rear Fender	1				
96	<b>5820101</b>	Holder Compl	2				
97	<b>0893189</b>	Hex Head Screw A3C	4				
98	<b>0863138</b>	Washer A3C	32				
99	<b>2481254</b>	Ripp Washer A3C	16				
100	<b>0399760</b>	Nut A3C	24				
101	<b>1722787</b>	Serrated Nut	6				
102	<b>0893214</b>	Hex Head Screw A3C	31				
103	<b>1898686</b>	Packing Strap 1710 MM	1				
104	<b>1898686</b>	Packing Strap 1280 MM	1				

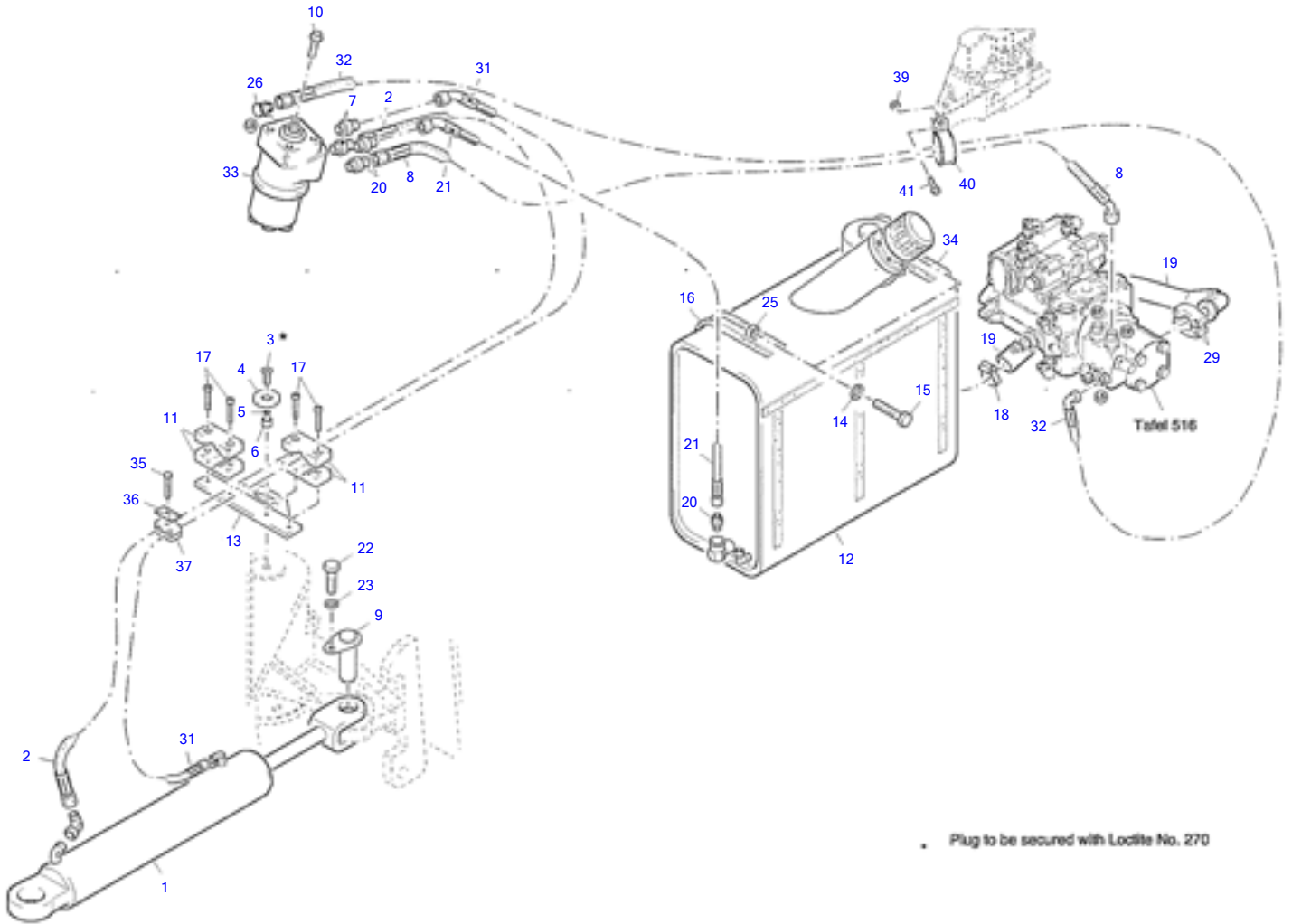
TW50 Book No. 8017699 01.10 S/N E105833  
Base Frame





Item	Part number	Description	Base Frame Q'ty	Chan.	Serial No.	Serv.	Remarks
105	<b>1898686</b>	Packing Strap 320 MM	1				
106	<b>5820170</b>	Plate	4				
107	<b>2481254</b>	Ripp Washer A3C	1				
108	<b>1398385</b>	Countersunk Screw A3C	2				
109	<b>3939464</b>	Ripp Washer A3C	10				
121	<b>5820078</b>	Wedge Holder	1				

TW50 Book No. 8017699 01.10 S/N E105833  
Steering Hydraulics



**Thanks for your reading.**

**Please click here to download complete manual instantly.**

**And can also choose other manuals.**

**Feel free --->write to me with any questions.**

**Our service email:**

**manuals007@hotmail.com**