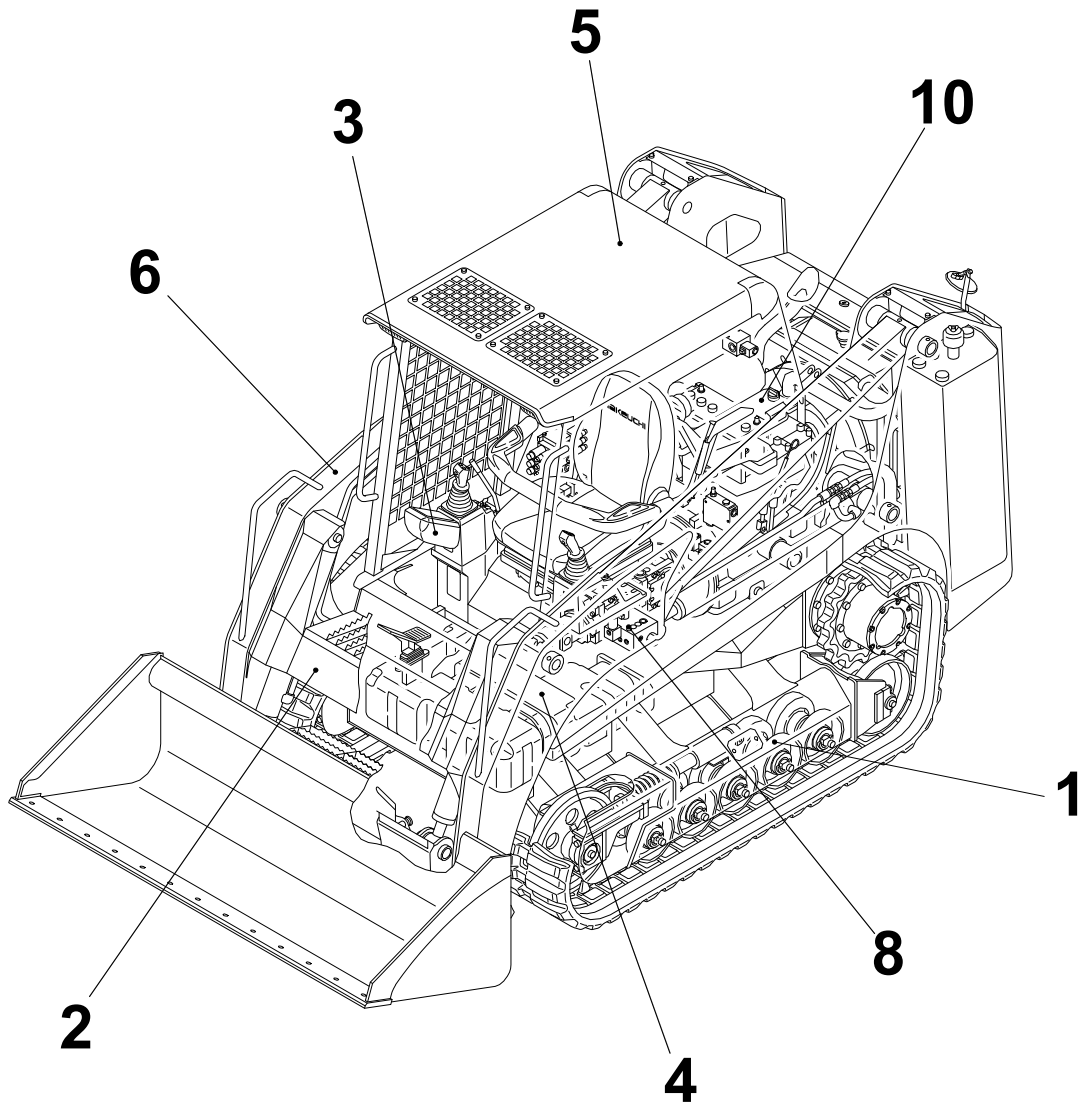


# TL130

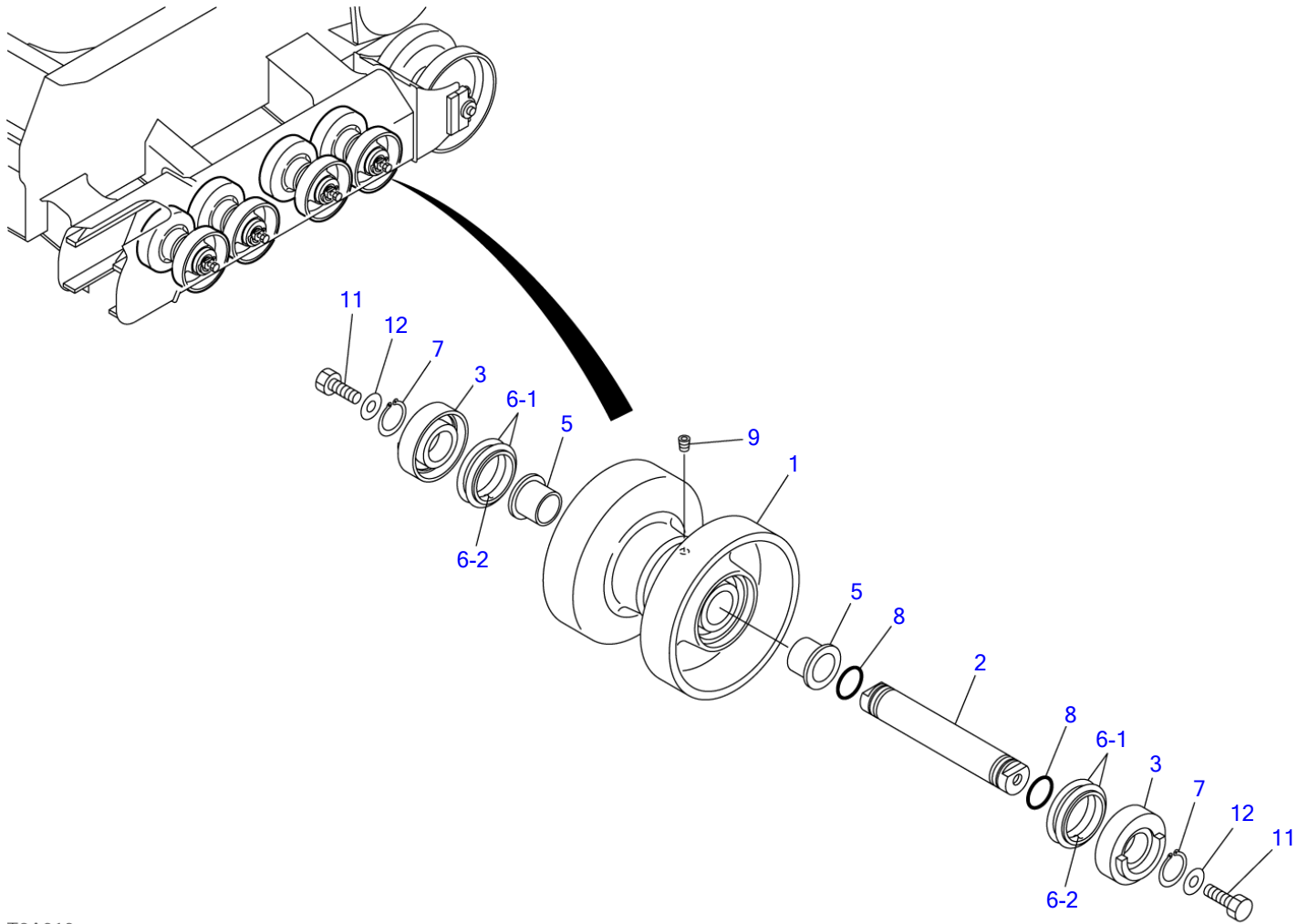
Book No. BT8Z012  
Serial No. 21300004-



# TAKEUCHI



							INDEX
Item	Part number	Description	Q'ty	Chan.	Serial No.	Serv.	Remarks
1		UNDERCARRIAGE					
2		MAIN FRAME & CONTROL LEVER					
3		ENGINE & ELECTRICAL SYSTEM					
4		HYDRAULIC PIPNG & TANK					
5		COVER & CAB					
6		ATTACHMENT					
7		DECAL & TOOL					
8		HYDRAULIC DEVICE					
10		ENGINE(4TNE98-TBL)					
		ENGINE(4TNNV98-YTBL)					
		ENGINE(4TNNV98-YTBL1,for high flow)					
		2007.04.17					

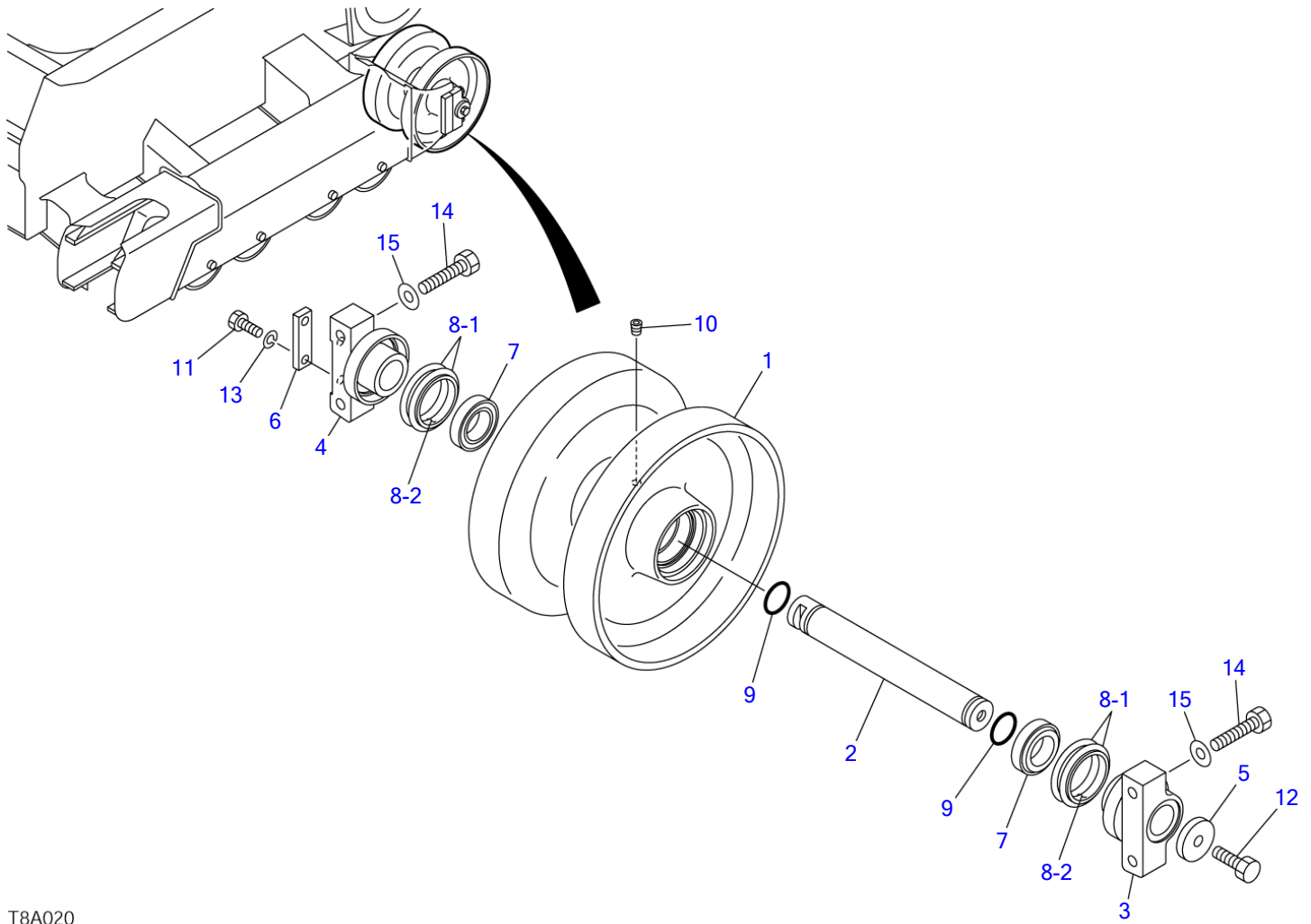


T8A010

S=1/8, 1/20

**TRACK ROLLER A**

Item	Part number	Description	Q'ty	Chan.	Serial No.	Serv.	Remarks
		ROLLER ASSY, track					X08801-30000-4
0-1	<b>0880130100</b>	ROLLER SUB ASSY, track	8				
1	<b>0880130010</b>	▪ ROLLER	1				
2	<b>0860134010</b>	▪ SHAFT	1				
3	<b>0221240400</b>	▪ COVER	2				
5	<b>1333073535</b>	▪ BUSHING	2				
6	<b>1432500560</b>	▪ SEAL, floating	2				
6-1	<b>1432500561</b>	▪ ▪ O-RING	2				
6-2	<b>1432500562</b>	▪ ▪ RING, seal	2				
7	<b>1220000035</b>	▪ RING, snap	2				
8	<b>1420100300</b>	▪ O-RING	2				
9	<b>1501810001</b>	▪ PLUG	1				
11	<b>1100041645</b>	BOLT	16				
12	<b>1141550016</b>	WASHER	16				
	<b>T8a013</b>						



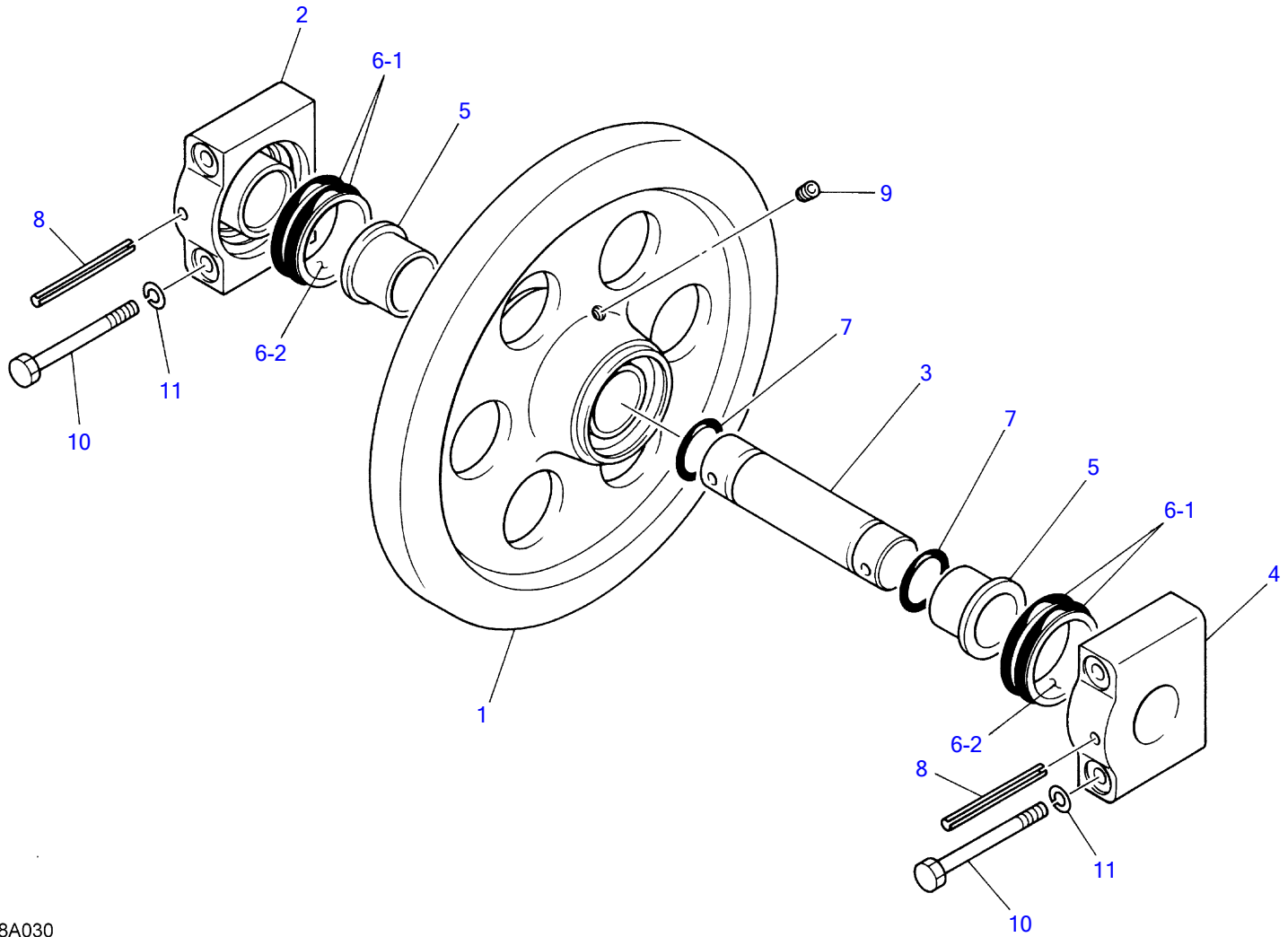
T8A020

S=1/8, 1/20

**TRACK ROLLER B**

Item	Part number	Description	Q'ty	Chan.	Serial No.	Serv.	Remarks
		ROLLER ASSY, track					X08801-35500-1
0-1	<b>0880135600</b>	ROLLER SUB ASSY, track	2				
1	<b>0880135610</b>	▪ ROLLER	1				
2	<b>0880135620</b>	▪ SHAFT	1				
3	<b>0881131330</b>	▪ COVER	1				
4	<b>0881131340</b>	▪ COVER	1				
5	<b>0881131350</b>	▪ PLATE	1				
6	<b>0881131360</b>	▪ PLATE	1				
7	<b>1305000004</b>	▪ BEARING	2				
8	<b>1432500640</b>	▪ SEAL, floating	2				
8-1	<b>1432500641</b>	▪ ▪ O-RING	2				
8-2	<b>1432500642</b>	▪ ▪ RING, seal	2				
9	<b>1420100350</b>	▪ O-RING	2				
10	<b>1501810001</b>	▪ PLUG	1				
11	<b>1100041030</b>	▪ BOLT	2				
12	<b>1106241440</b>	▪ BOLT	1				
13	<b>1140020010</b>	▪ WASHER, spring	2				
14	<b>1100041460</b>	BOLT	8				
15	<b>1141550014</b>	WASHER	8				
	<b>T8a021</b>						

TL130 Book No. BT8Z012 S/N 21300004-  
FRONT IDLER



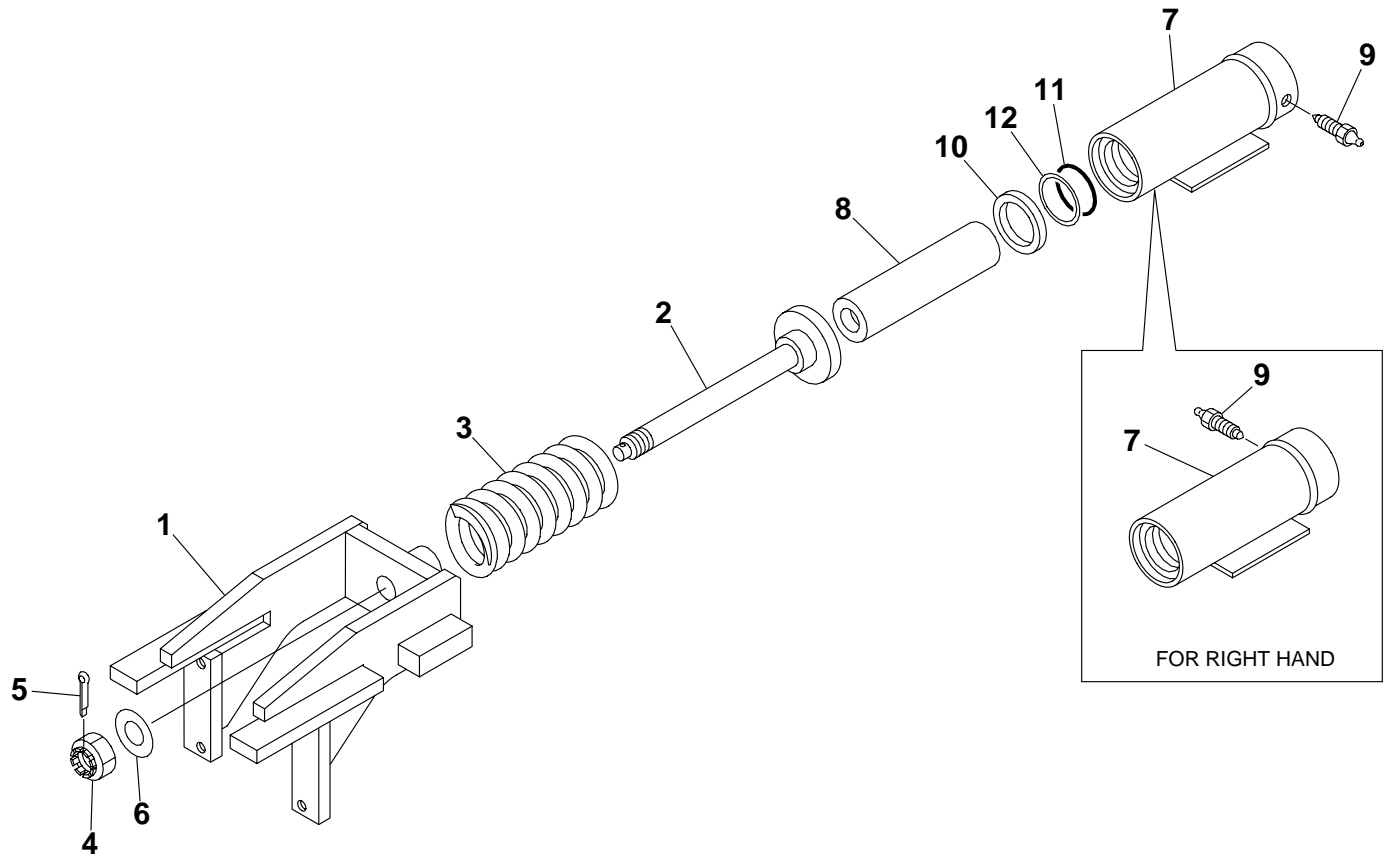
T8A030

S=1/5



FRONT IDLER						
Item	Part number	Description	Q'ty	Chan.	Serial No.	Serv. Remarks
0	0880140000	IDLER ASSY	2			X08801-40000-4
1	0880140010	• IDLER	1			
2	0880140020	• COVER (R.H.)	1			
3	0871140030	• SHAFT	1			
4	0880140030	• COVER (L.H.)	1			
5	1333064540	• BUSH	2			
6	1432500640	• SEAL, floating	2			
6-1	1432500641	• • O-RING	2			
6-2	1432500642	• • RING, seal	2			
7	1420100400	• O-RING	2			
8	1213101000	• PIN, spring	2			
9	1501820001	• PLUG	1			
10	1101141215	BOLT	8			
11	1140020012	WASHER, spring	8			
	T8a031					

TL130 Book No. BT8Z012 S/N 21300004-  
TRACK ADJUSTER



T8A040

S=1/8X110%

**Thanks for your reading.**

**Please click here to download complete manual instantly.**

**And can also choose other manuals.**

**Feel free --->write to me with any questions.**

**Our service email:**

**manuals007@hotmail.com**