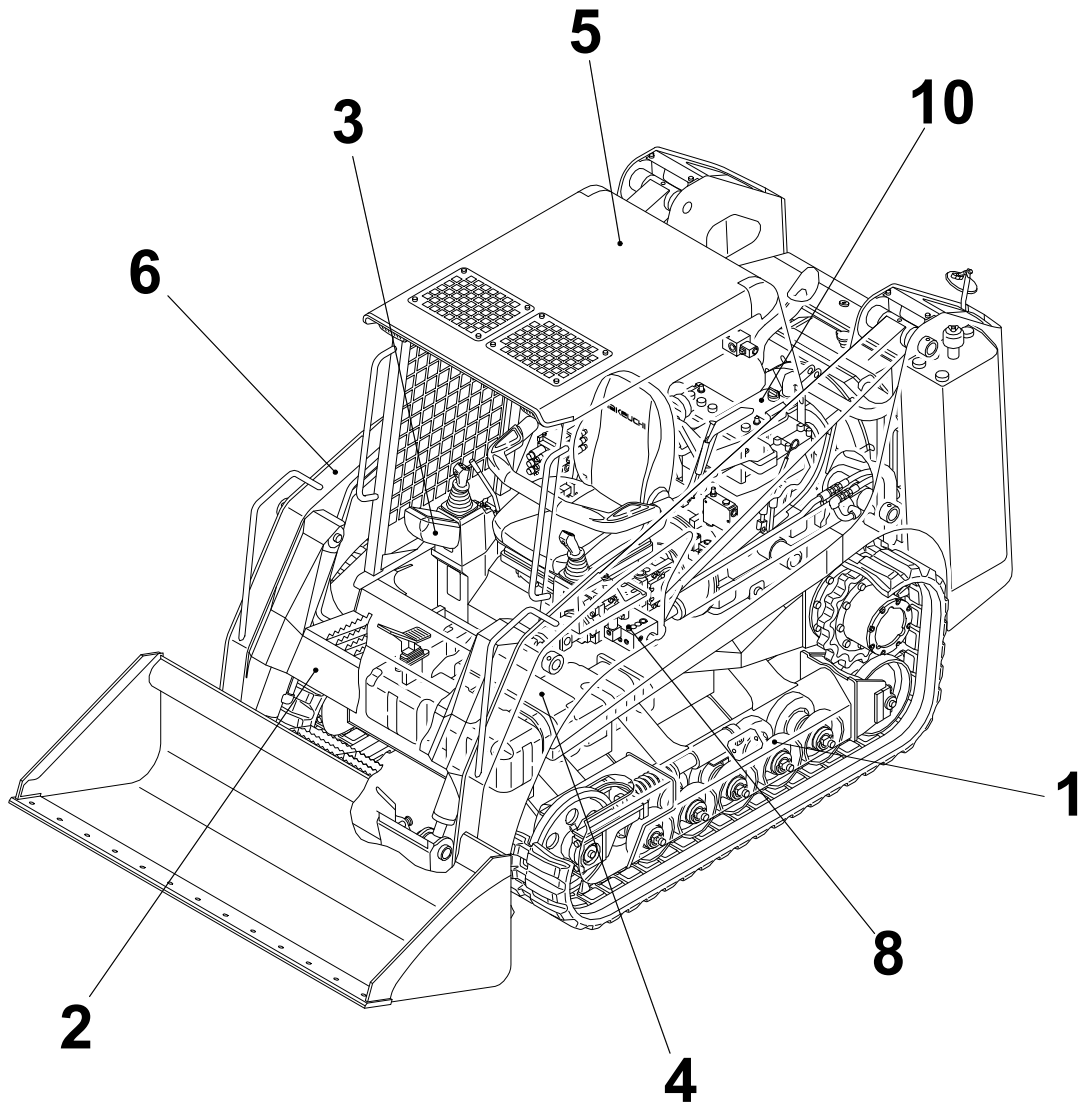


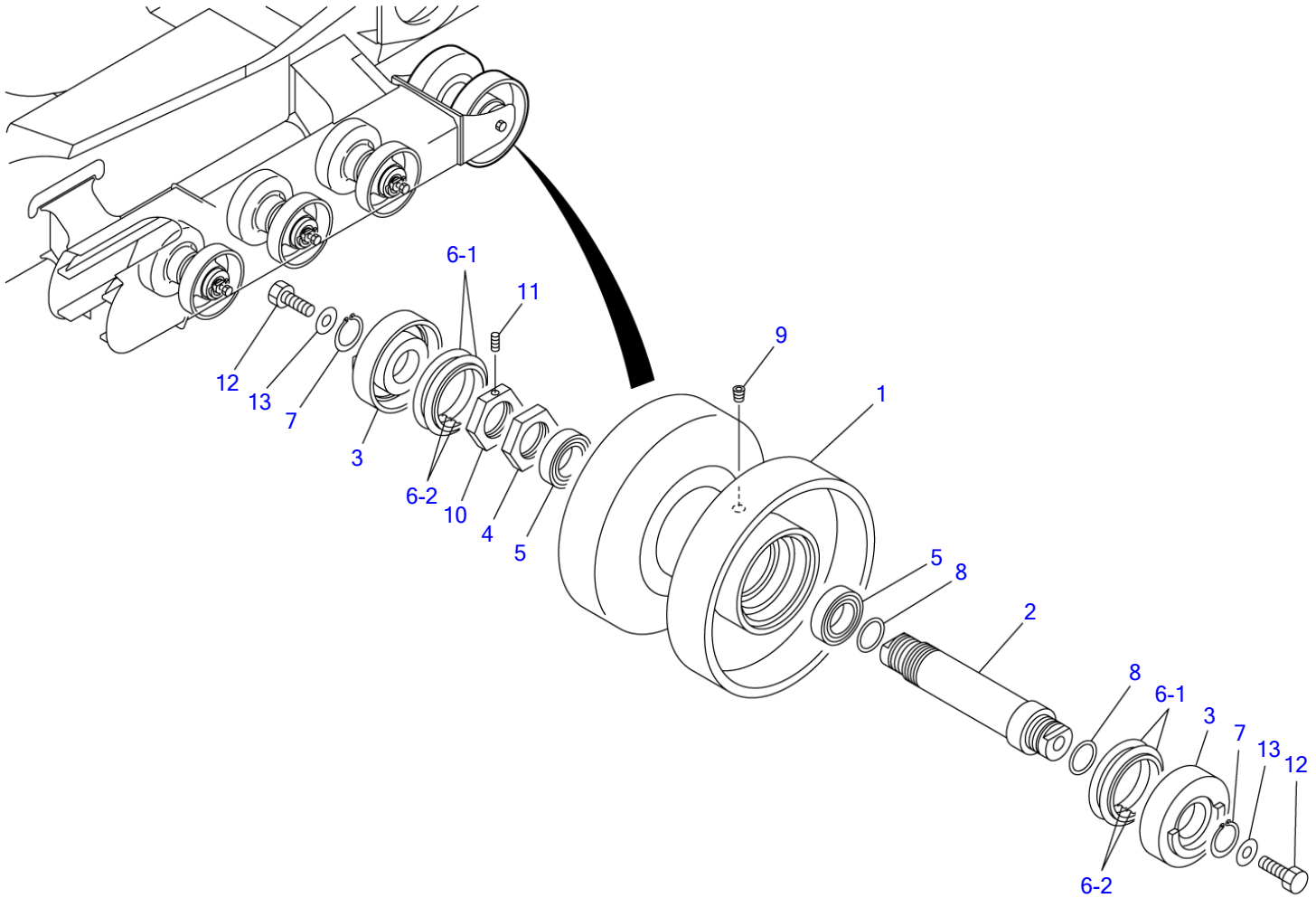
TL120

Book No. BT3Z001-2
Serial No.21200008-



TAKEUCHI

Item	Part number	Description	INDEX				Remarks
			Q'ty	Chan.	Serial No.	Serv.	
1		UNDERCARRIAGE					
2		MAIN FRAME & CONTROL LEVER					
3		ENGINE & ELECTRICAL SYSTEM					
4		HYDRAULIC PIPNG & TANK					
5		COVER & CAB					
6		ATTACHMENT					
7		DECAL & TOOL					
8		HYDRAULIC DEVICE					
10		ENGINE(4TNV84T-XTBL) 2008.7.21					



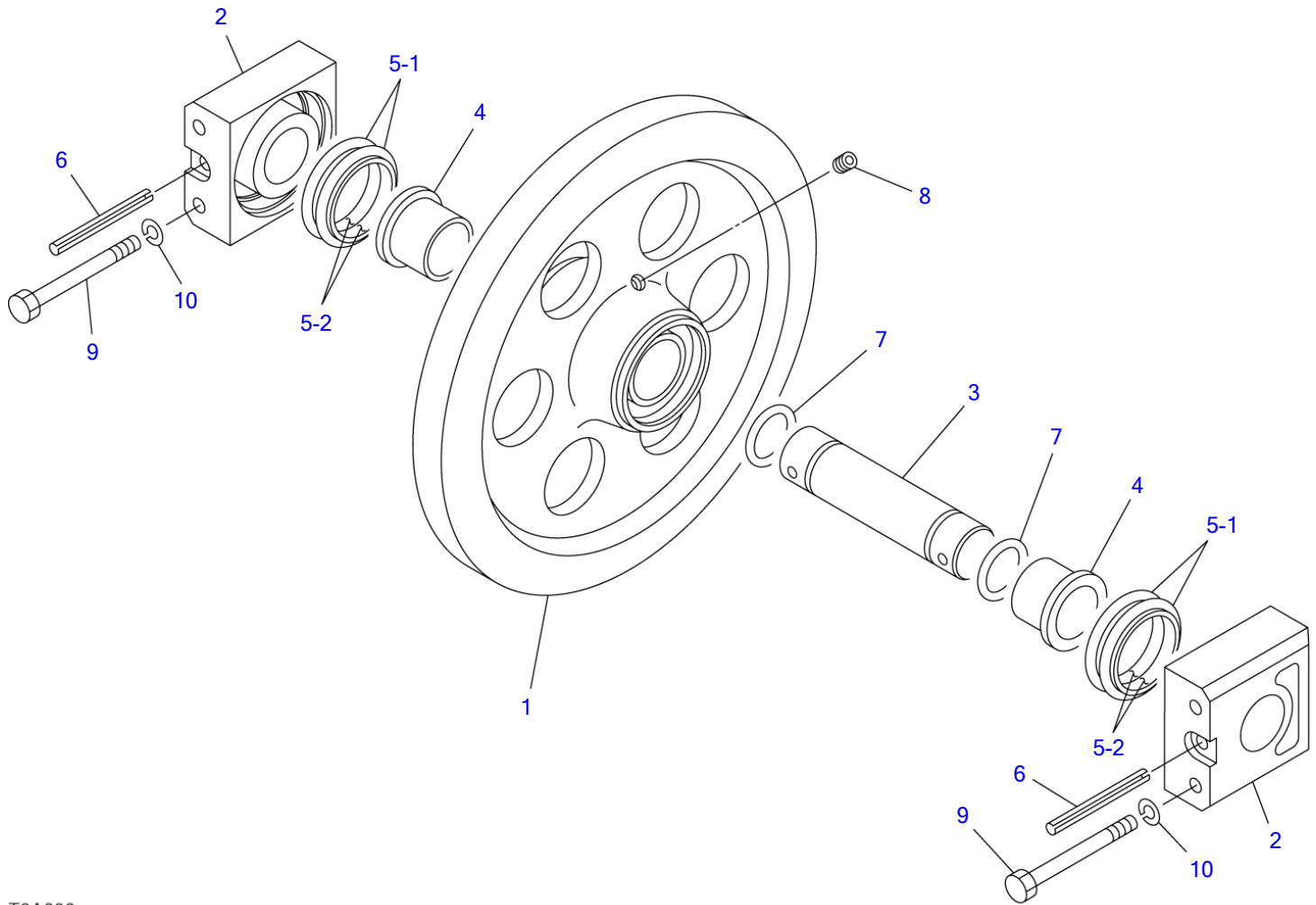
T3A020

S=1/8, 1/20

TRACK ROLLER B

Item	Part number	Description	Q'ty	Chan.	Serial No.	Serv.	Remarks
		ROLLER ASSY, track					X08801-35000-0
0-1	0880135100	ROLLER SUB ASSY, track	2				
1	0880135200	▪ ROLLER	1				
2	0880133300	▪ SHAFT	1				
3	0880132400	▪ COVER	2				
4	0880133500	▪ NUT	1				
5	1305000004	▪ BEARING	2				
6	1432500660	▪ SEAL, floating	2				
6-1	1432500661	▪ ▪ O-RING	2				
6-2	1432500662	▪ ▪ RING, seal	2				
7	1220000035	▪ RING, retaining	2				
8	1420100300	▪ O-RING	2				
9	1501810001	▪ PLUG	1				
10	0880133600	▪ NUT	1				
11	1121340608	▪ SET-SCREW	1				
12	1100051645	BOLT	4				
13	1141540016	WASHER	4				
	T3a020						

TL120 Book No. BT3Z001-1 S/N 21200008-
FRONT IDLER



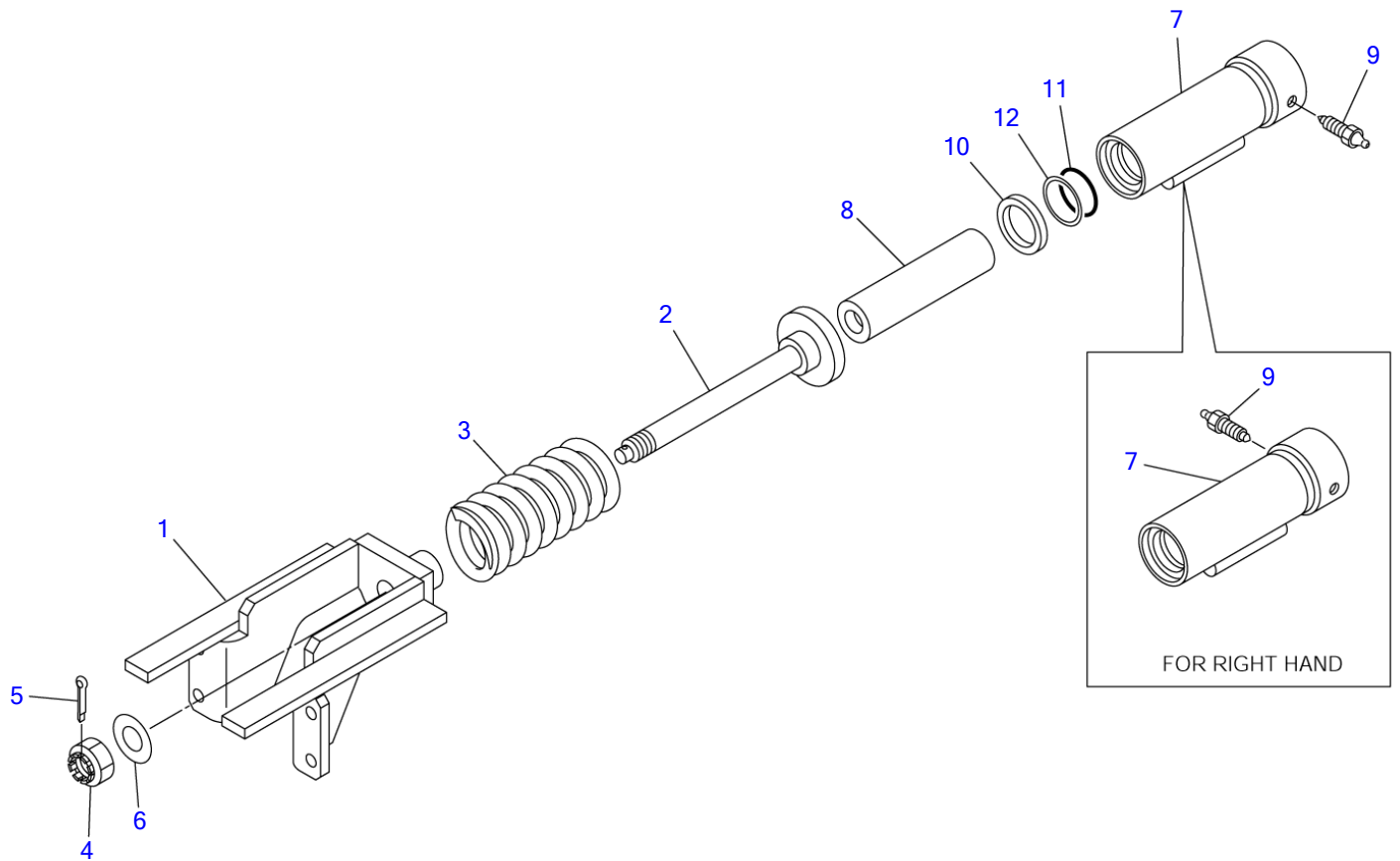
T3A030

S=1/5

FRONT IDLER

Item	Part number	Description	Q'ty	Chan.	Serial No.	Serv.	Remarks
		IDLER ASSY, front					X06514-00000-0
0-1	0651400100	IDLER SUB ASSY, front	2				
1	0651400110	· IDLER	1				
2	0651400120	· COVER	2				
3	0651400130	· SHAFT	1				
4	1333064039	· BUSHING	2				
5	1432500640	· SEAL, floating	2				
5-1	1432500641	· · O-RING	2				
5-2	1432500642	· · RING, seal	2				
6	1213000885	· PIN, spring	2				
7	1420100350	· O-RING	2				
8	1501820001	· PLUG	1				
9	1100041230	BOLT	8				
10	1140020012	WASHER, spring	8				
	T3a030						

TL120 Book No. BT3Z001-1 S/N 21200008-
TRACK ADJUSTER

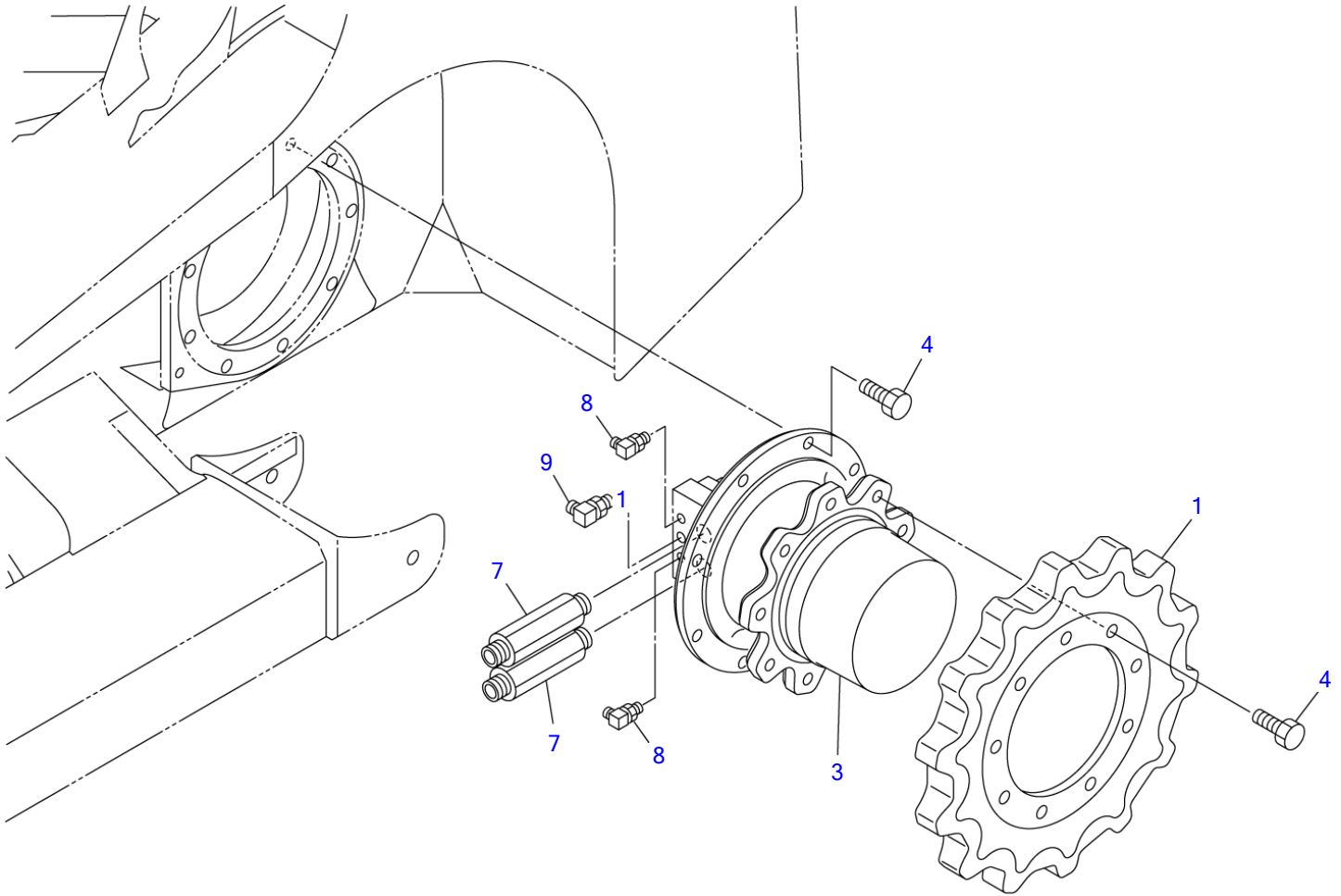


T3A040

S=1/8X110%

TRACK ADJUSTER

Item	Part number	Description	Q'ty	Chan.	Serial No.	Serv.	Remarks
		SPRING ASSY (L.H.)					X06515-00000-0
		SPRING ASSY (R.H.)					X06515-00500-0
0-1	0651500100	SPRING SUB ASSY	2				
1	0651500110	• YOKE	1				
2	0880152120	• ROD	1				
3	0007000004	• SPRING	1				
4	1132030024	• NUT	1				
5	1210000545	• PIN, split	1				
6	1141550024	• WASHER	1				
0-2	0651500200	CYLINDER ASSY (L.H.)	1				
	0651500300	CYLINDER ASSY (R.H.)	1				
7	0651500210	• CYLINDER, grease (L.H.)	1				
	0651500310	• CYLINDER, grease (R.H.)	1				
8	0651500220	• PISTON	1				
9	1541300501	• VALVE ASSY, check	1				
10	1400402640	• SEAL, oil	1				
11	1422010450	• O-RING	1				
12	1421020450	• RING, back-up	1				
	T3a040						

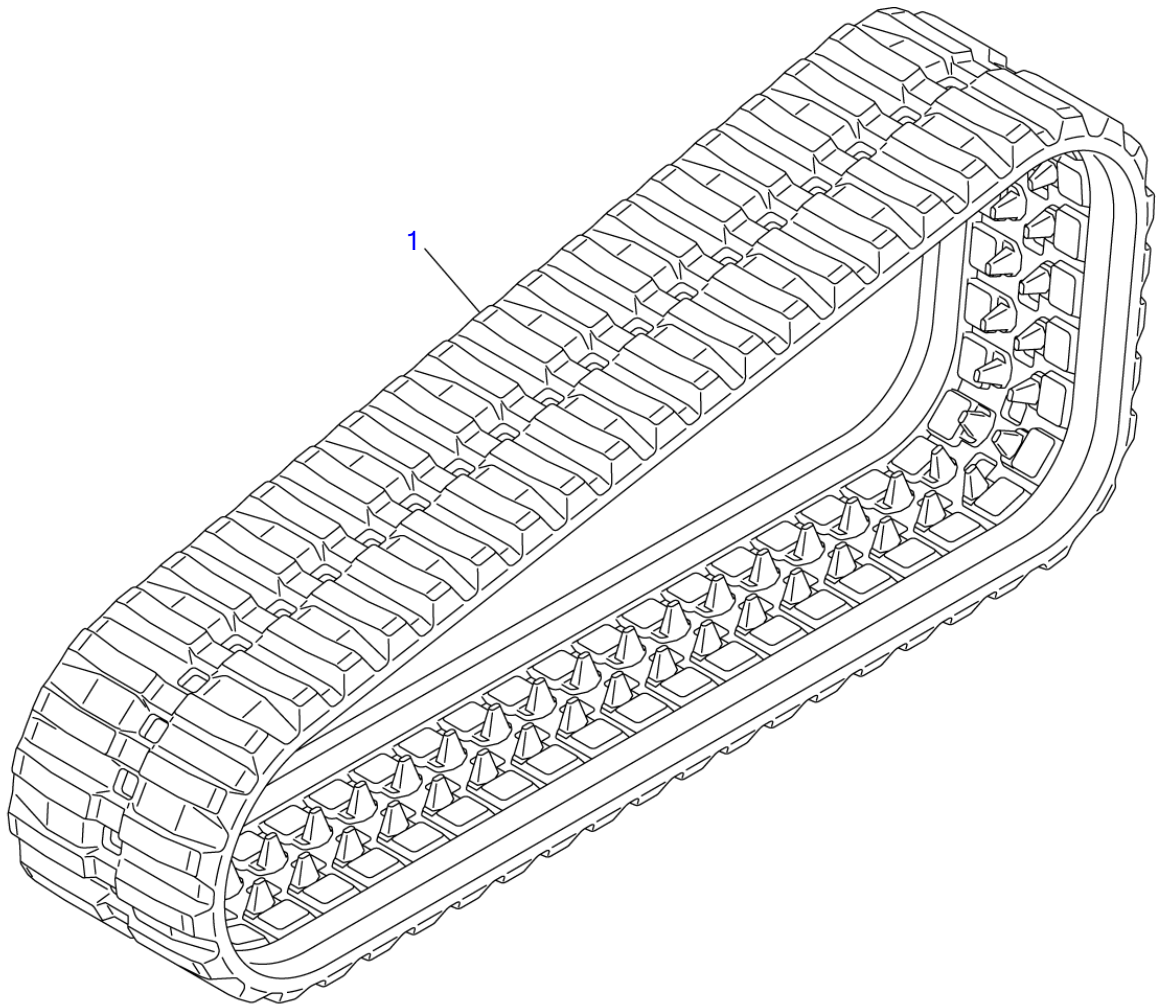


T3A050

S=1/8

TRAVEL DEVICE

Item	Part number	Description	Q'ty	Chan.	Serial No.	Serv.	Remarks
		MOTOR ASSY, travel					X06516-00000-1
1	0651600010	SPROCKET	2				
3	1903125400	MOTOR, travel	2				
4	1100041635	BOLT	36				
7	0882160140	ADAPTOR	4				
8	1515012040	ELBOW	4				
	1420010110	• O-RING	1				
9	1515012041	ELBOW	2				
	1420010140	• O-RING	1				
	T3a050						



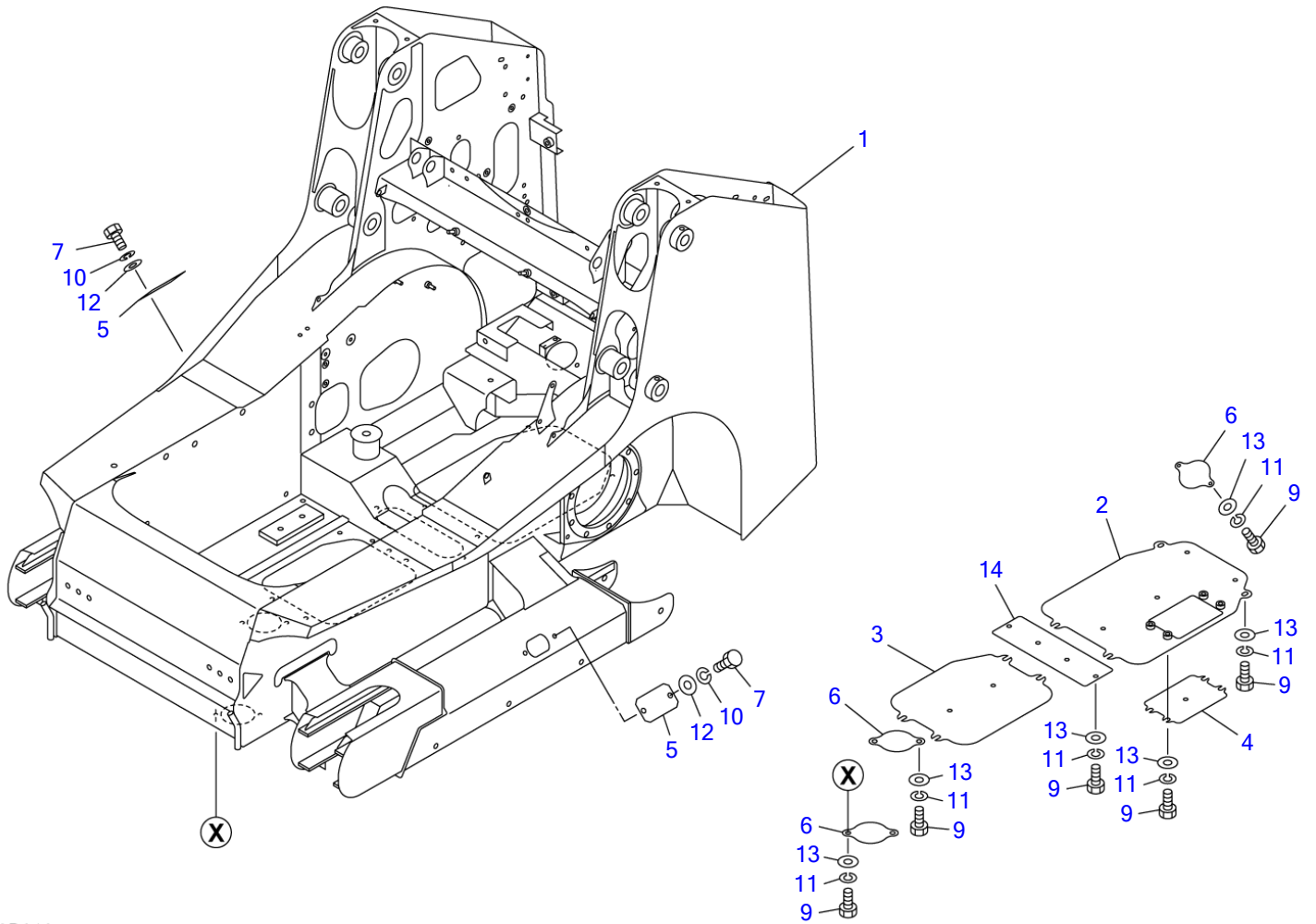
T7A060

S=1/12

CRAWLER BELT

Item	Part number	Description	Q'ty	Chan.	Serial No.	Serv.	Remarks
1	1914301310 T3a060	BELT, rubber crawler	2				X19143-01310-0

TL120 Book No. BT3Z001-1 S/N 21200008-
FRAME



T3B010

S=1/20

Item	Part number	Description	FRAME			Remarks
			Q'ty	Chan.	Serial No.	
		TURNTABLE ASSY				X06530-01000-1
1	0653001100	FRAME	1			
2	0653001010	COVER	1			
3	0653000020	COVER	1			
4	0653001030	COVER	1			
5	0331018600	COVER	2			
6	0881302095	COVER	3			
7	1100040816	BOLT	4			
9	1100041020	BOLT	20			
10	1140020008	WASHER, spring	4			
11	1140020010	WASHER, spring	20			
12	1141110008	WASHER	4			
13	1141110010	WASHER	20			
14	0653000040	COVER	1			
	T3b010					

Thanks for your reading.

Please click here to download complete manual instantly.

And can also choose other manuals.

Feel free --->write to me with any questions.

Our service email:

manuals007@hotmail.com