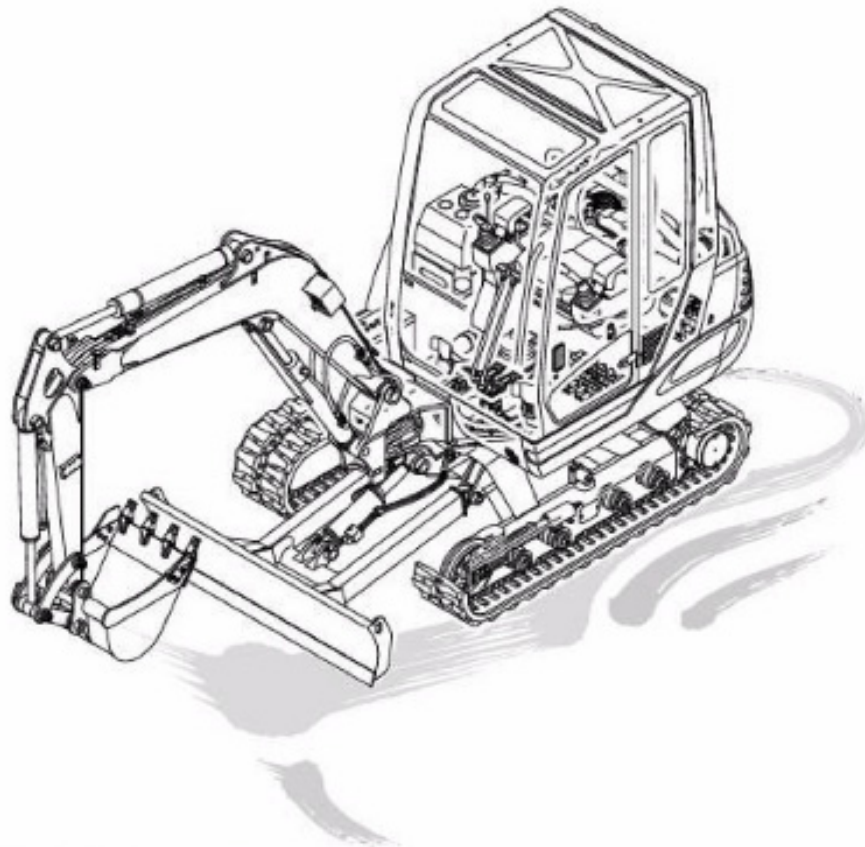


PARTS MANUAL

TB250

Serial No. 125000001~

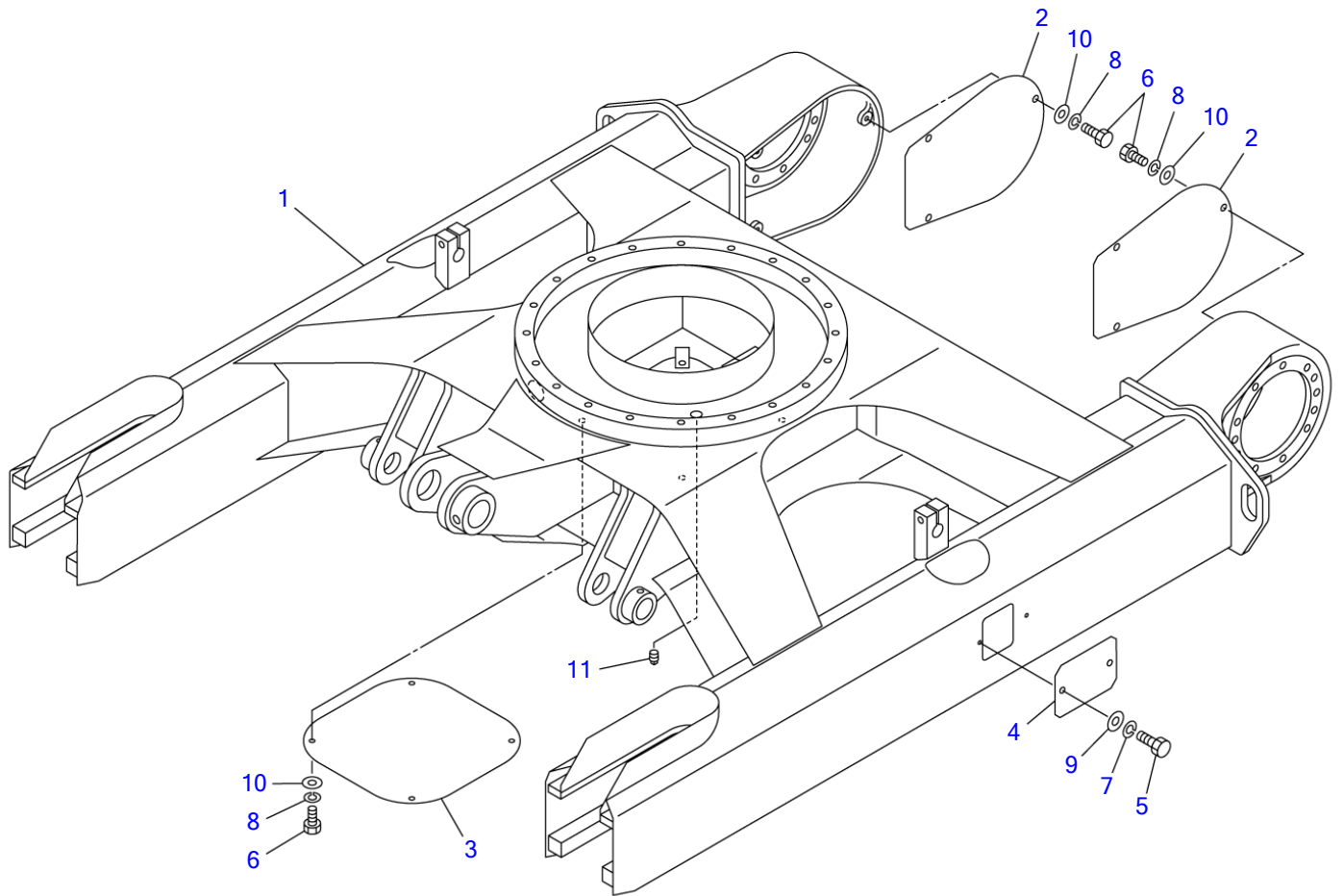
Book No. BK7Z001



MINI EXCAVATOR

TAKEUCHI

							INDEX
Item	Part number	Description	Q'ty	Chan.	Serial No.	Serv.	Remarks
1		UNDERCARRIAGE					
2		TURNTABLE & CONTROL LEVER					
3		ENGINE & ELECTRICAL SYSTEM					
4		HYDRAULIC PIPNG & TANK					
5		COVER & CAB					
6		HOE ATTACHMENT					
7		DECAL & TOOL					
8		HYDRAULIC DEVICE					
10		ENGINE 3TNV88-BPTB2,1					
		2008.7.21					
99		Kits, Attachments and Quick Reference					

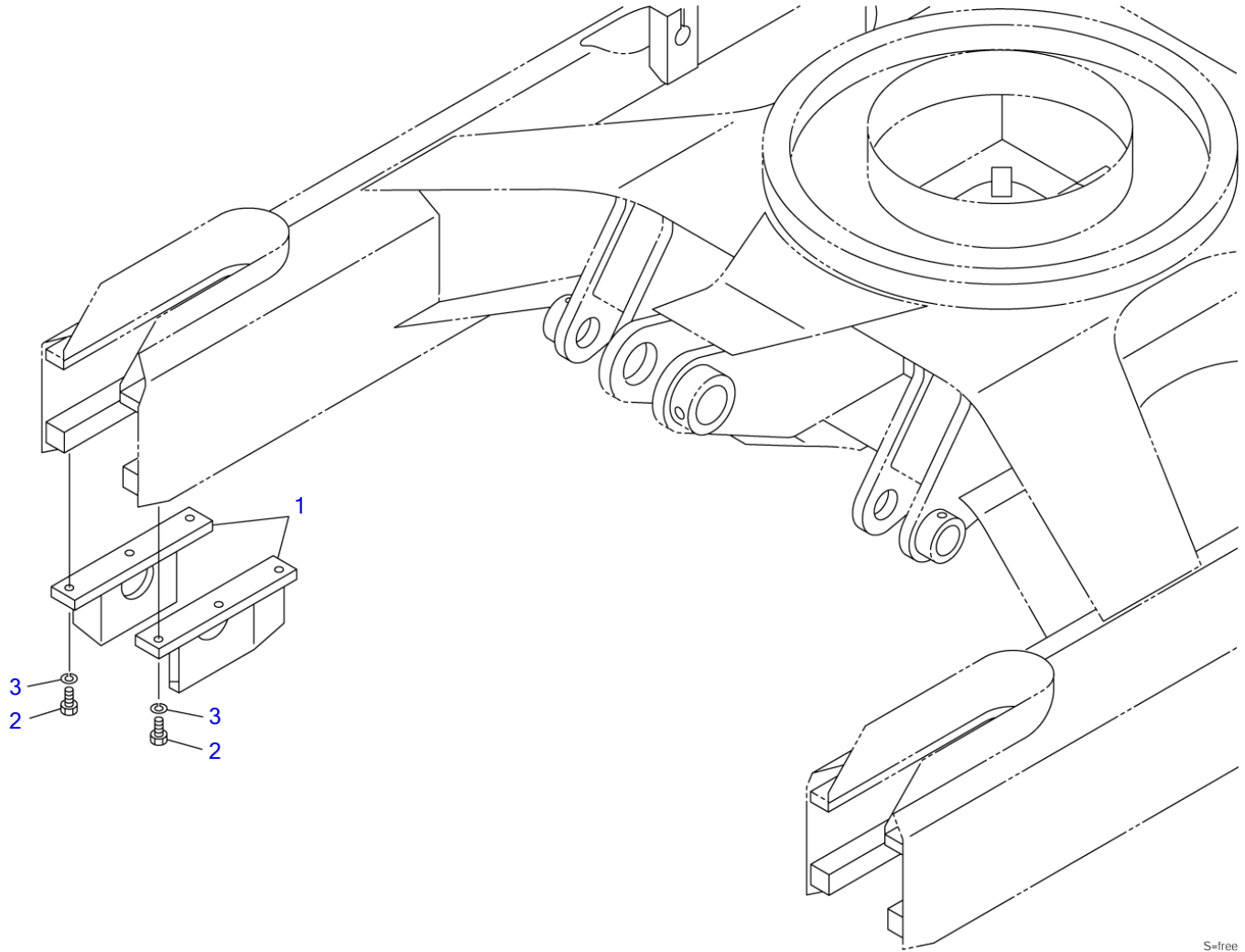


K7A010

S=free

LOWER FRAME

Item	Part number	Description	Q'ty	Chan.	Serial No.	Serv.	Remarks
Item	Part number	•" •j -¼ 0	?	Chan.	Serial No.	Mod.	Remarks
		FRAME ASSY, lower					
1	X *****	FRAME	1				
2	0391013002	COVER	2				
3	0391004003	COVER	1				
4	0561017400	COVER	2				
5	1100040816	BOLT	4				
6	1100041020	BOLT	10				
7	1140020008	WASHER, spring	4				
8	1140020010	WASHER, spring	10				
9	1141110008	WASHER	4				
10	1141110010	WASHER	10				
11	1508710010	PLUG	1				
	K7a010						

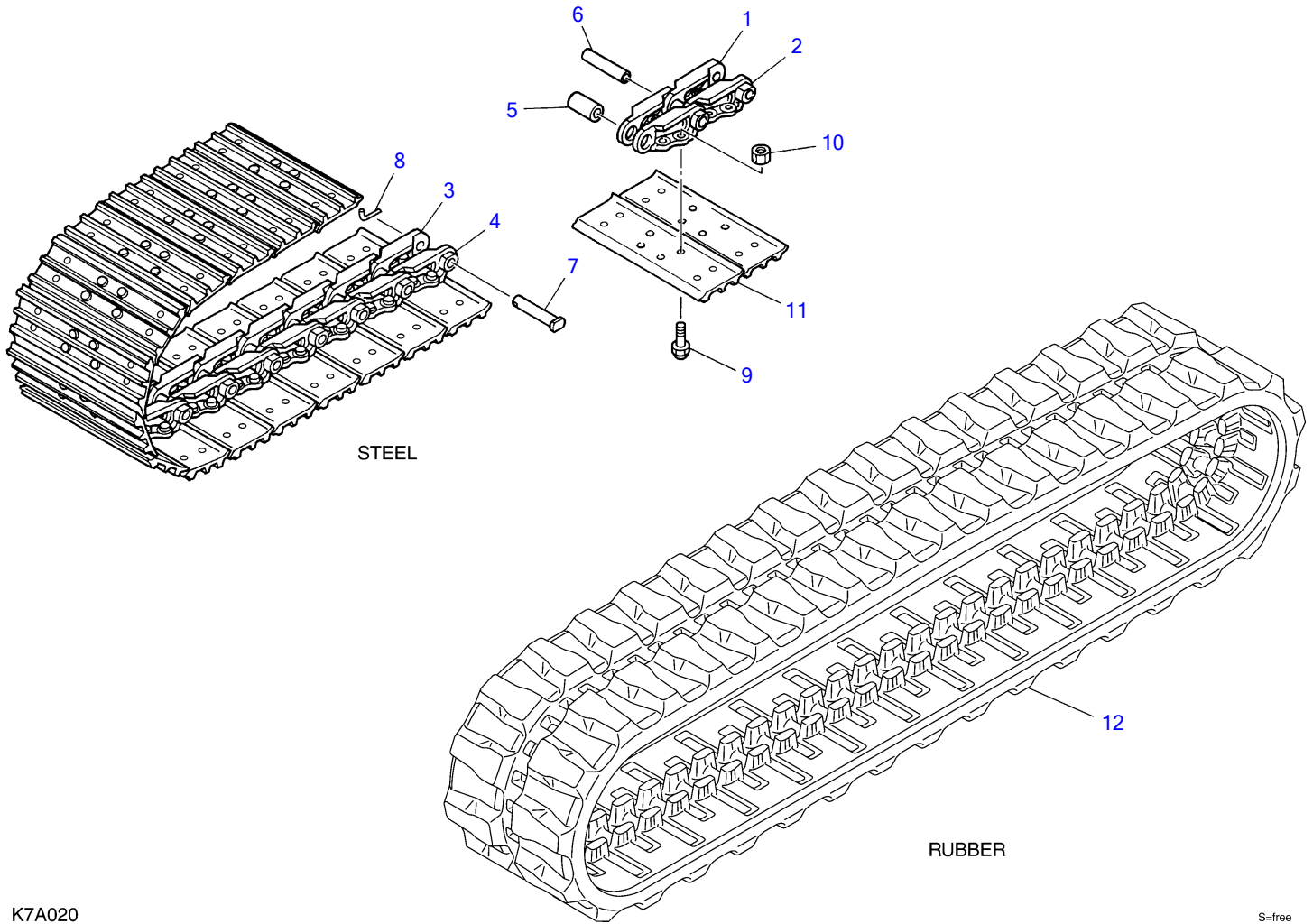


K7A050

S=free

SHOE GUIDE

Item	Part number	Description	Q'ty	Chan.	Serial No.	Serv.	Remarks
1	0461000700	SHOE GUIDE ASSY GUIDE, shoe	4				
2	1101041230	BOLT	12				
3	1140020012 K7a050	WASHER, spring	12				



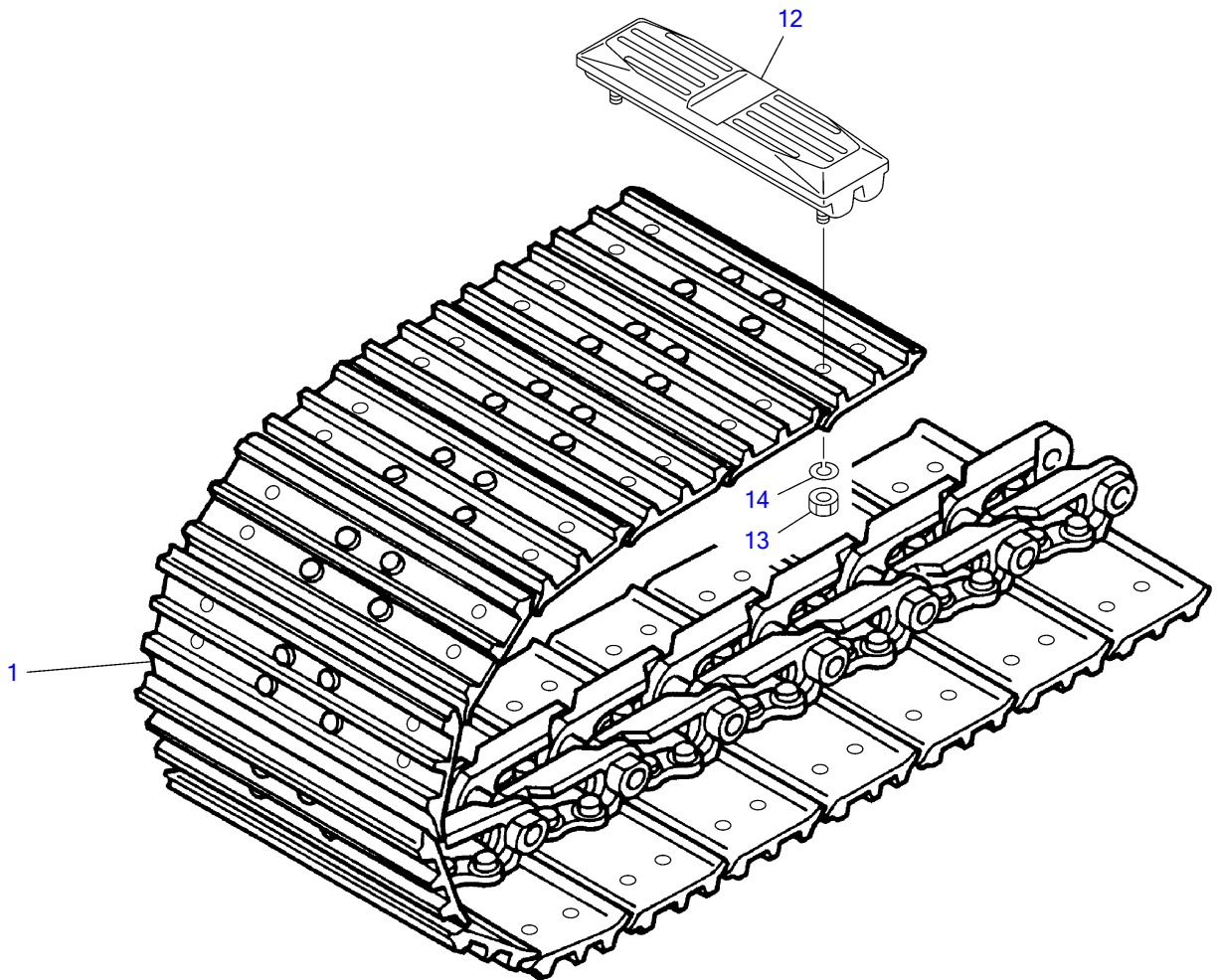
K7A020

S=free

CRAWLER BELT

Item	Part number	Description	Q'ty	Chan.	Serial No.	Serv.	Remarks
0	1914051600	BELT, steel crawler (400wide)	2				X19140-51600-0
	1914051400	BELT, steel crawler (460wide)	2				X19140-51400-0
1	1914039001	▪ LINK (R.H.)	37				
2	1914039002	▪ LINK (L.H.)	37				
3	1914039003	▪ LINK, master (R.H.)	1				
4	1914039004	▪ LINK, master (L.H.)	1				
5	1914039012	▪ BUSHING	38				
6	1914039006	▪ PIN, track	37				
7	1914039007	▪ PIN, master	1				
8	1914039008	▪ PIN	1				
9	1914039009	▪ BOLT	152				
10	1914033010	▪ NUT	152				
11	1914051611	▪ PLATE, shoe	38				400wide
	1914051411	▪ PLATE, shoe	38				460wide
12	1914065610	BELT, rubber crawler	2				
	K7a020						

TB250 Book No. BK7Z000-1 S/N 125000001-
CRAWLER BELT (with rubber pads)



K3A152

S-free

Thanks for your reading.

Please click here to download complete manual instantly.

And can also choose other manuals.

Feel free --->write to me with any questions.

Our service email:

manuals007@hotmail.com