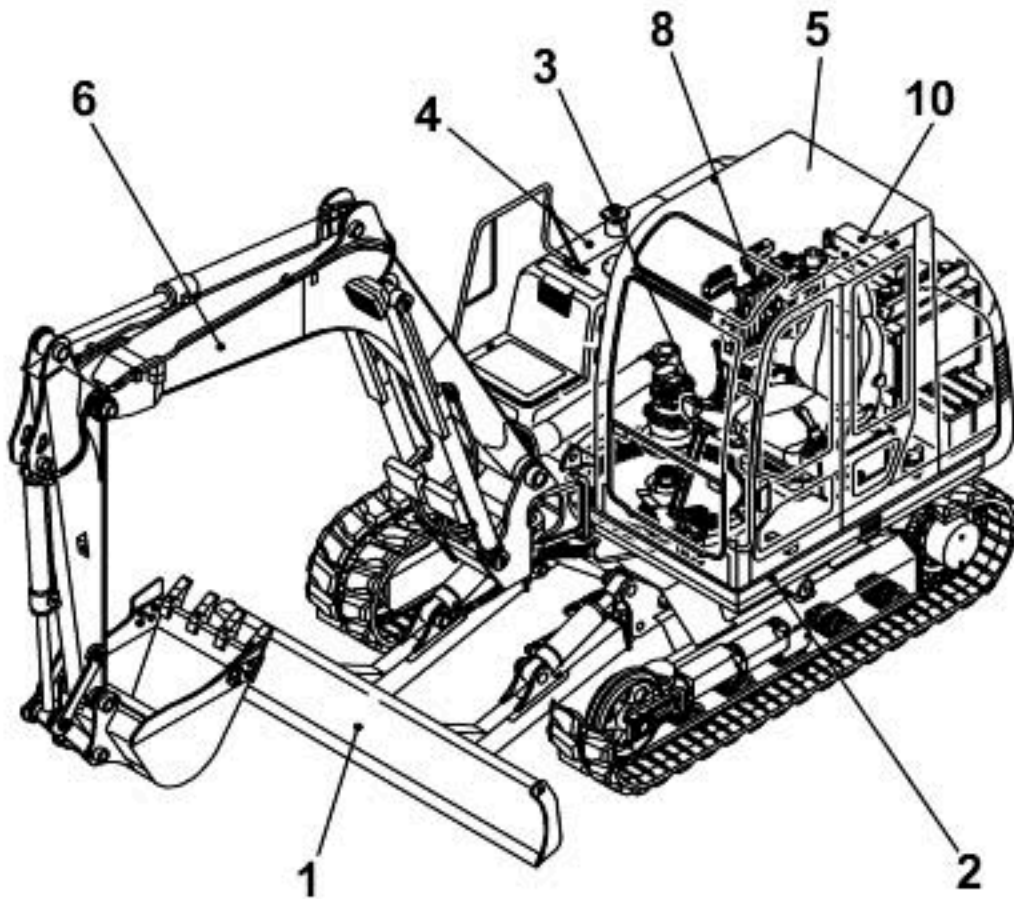


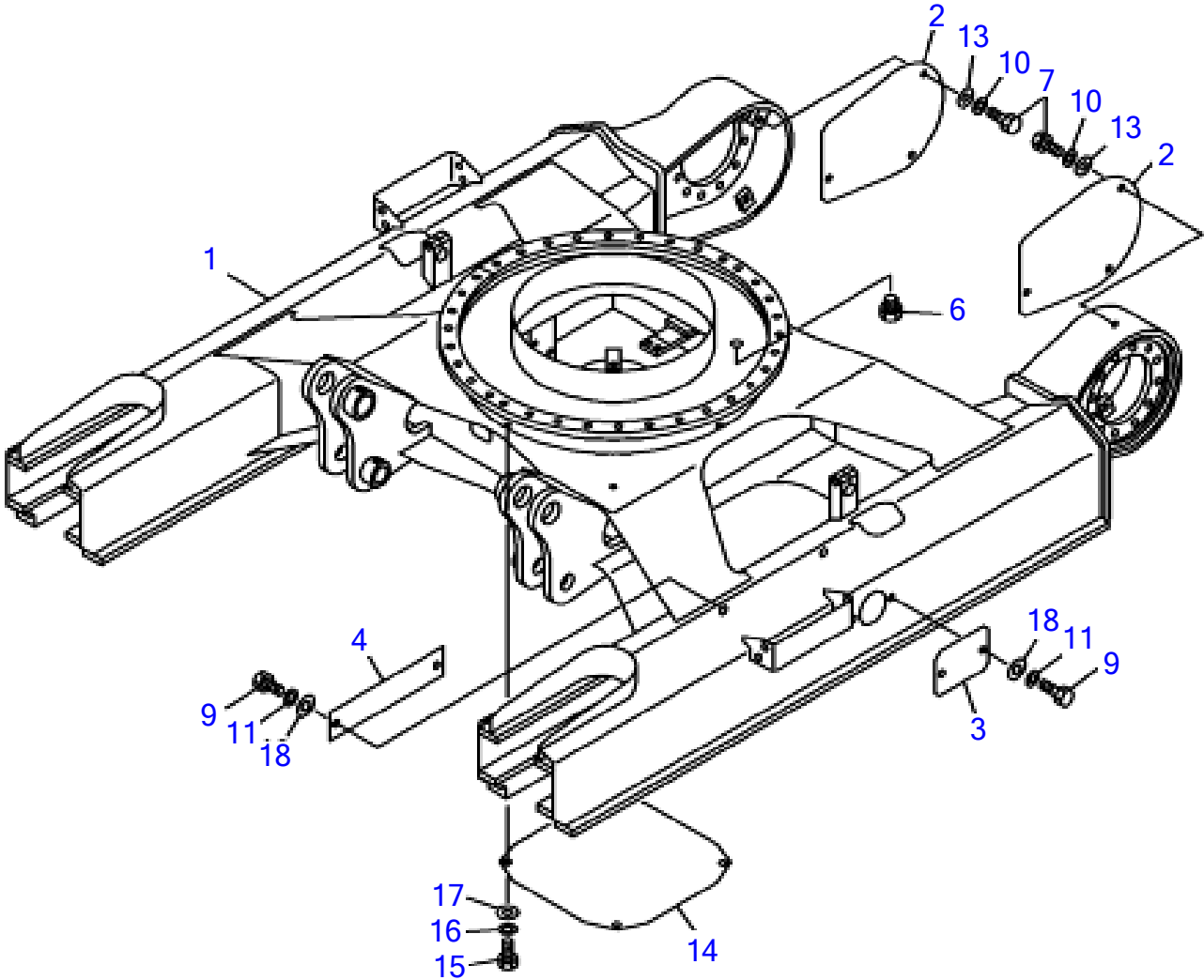
TB175

BookNo BL7Z002
SerialNo.17530001-



TAKEUCHI

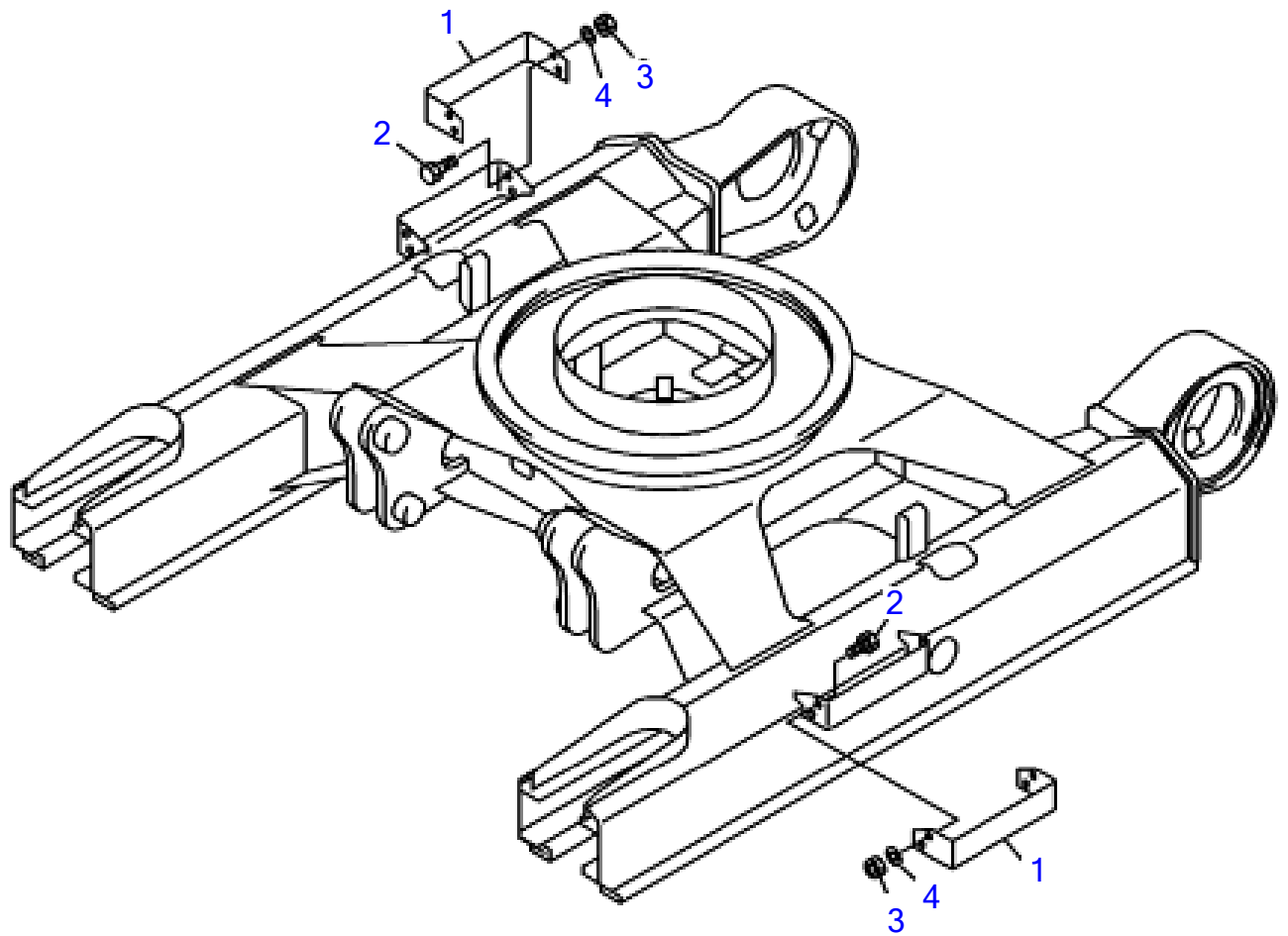
							INDEX
Item	Part number	Description	Q'ty	Chan.	Serial No.	Serv.	Remarks
1		UNDERCARRIAGE					
2		TURNTABLE & CONTROL LEVER					
3		ENGINE & ELECTRICAL SYSTEM					
4		HYDRAULIC PIPNG & TANK					
5		COVER & CAB					
6		HOE ATTACHMENT					
7		DECAL & TOOL					
8		HYDRAULIC DEVICE					
10		ENGINE(4TNV98-ZQTB)					
		2008.7.11					
99		Kits, Attachments and Quick Reference					



L7A011

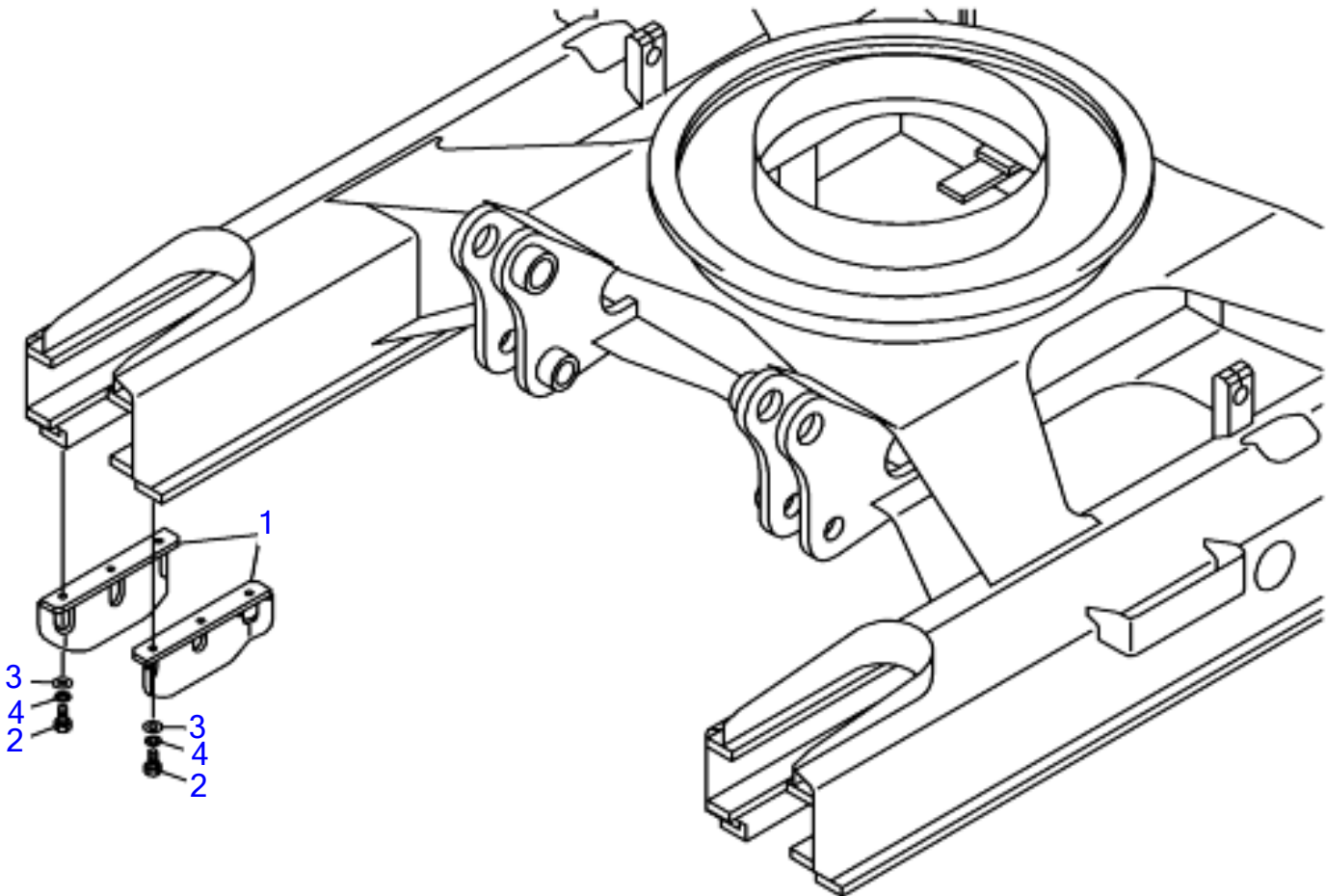
LOWER FRAME

Item	Part number	Description	Q'ty	Chan.	Serial No.	Serv.	Remarks
		FRAME ASSY, lower					
		FRAME ASSY, lower (550mm shoe)					
1	X *****	FRAME	1				
2	0561027020	COVER	2				
3	0561017400	COVER	2				
4	0561019400	COVER	2				
6	1501710010	PLUG	1				
7	1100041020	BOLT	6				
9	1100040816	BOLT	8				
10	1140020010	WASHER, spring	6				
11	1140020008	WASHER, spring	8				
13	1141110010	WASHER	6				
14	0561021010	COVER	1				
15	1100041225	BOLT	4				
16	1140020012	WASHER, spring	4				
17	1141110012	WASHER	4				
18	1141110008	WASHER	8				
	L7a011						



L7A090

Item	Part number	Description	STEP	Q'ty	Chan.	Serial No.	Serv.	Remarks
		STEP ASSY (550MM SHOE)						
1	0561019500	STEP		2				
	0571001520	STEP		2				
2	1100041025	BOLT		8				
	1100041225	BOLT		8				
3	1130040010	NUT		8				
	11300040012	NUT		8				
4	1140020010	SPRING WASHER		8				
	1140020012	SPRING WASHER		8				
	L7A090							



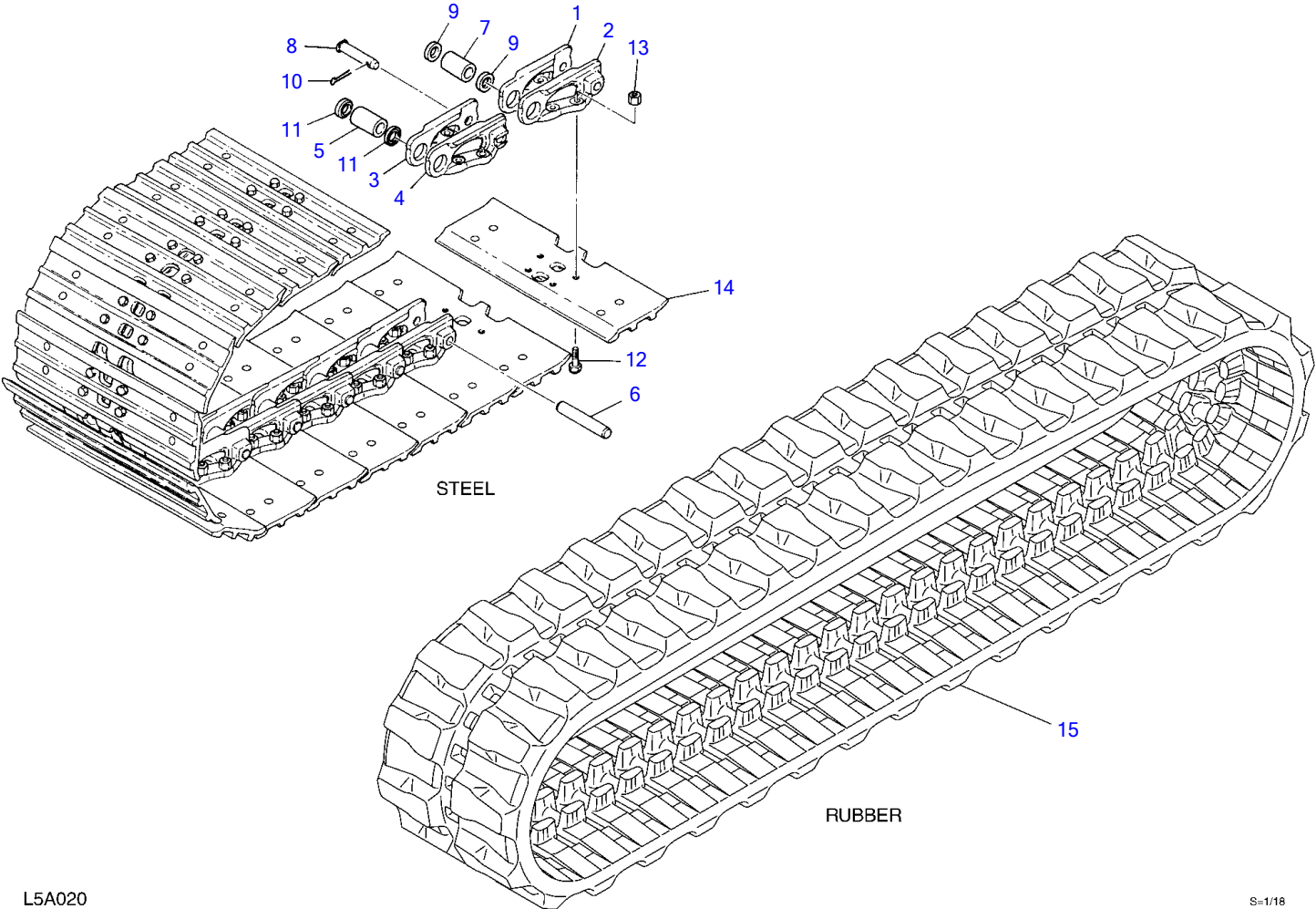
L6A021

20-1-0

CRAWLER GUIDE

Item	Part number	Description	Q'ty	Chan.	Serial No.	Serv.	Remarks
		CRAWLER GUIDE					
1	0391700110	GUIDE	4				
2	1101041230	BOLT	12				
3	1141110012	WASHER	12				
4	1140020012	SPRING WASHER	12				
	L6A021						

TB175 Book No. BL7Z000 S/N 17530001-
CRAWLER BELT



L5A020

S-1/18

Thanks for your reading.

Please click here to download complete manual instantly.

And can also choose other manuals.

Feel free --->write to me with any questions.

Our service email:

manuals007@hotmail.com