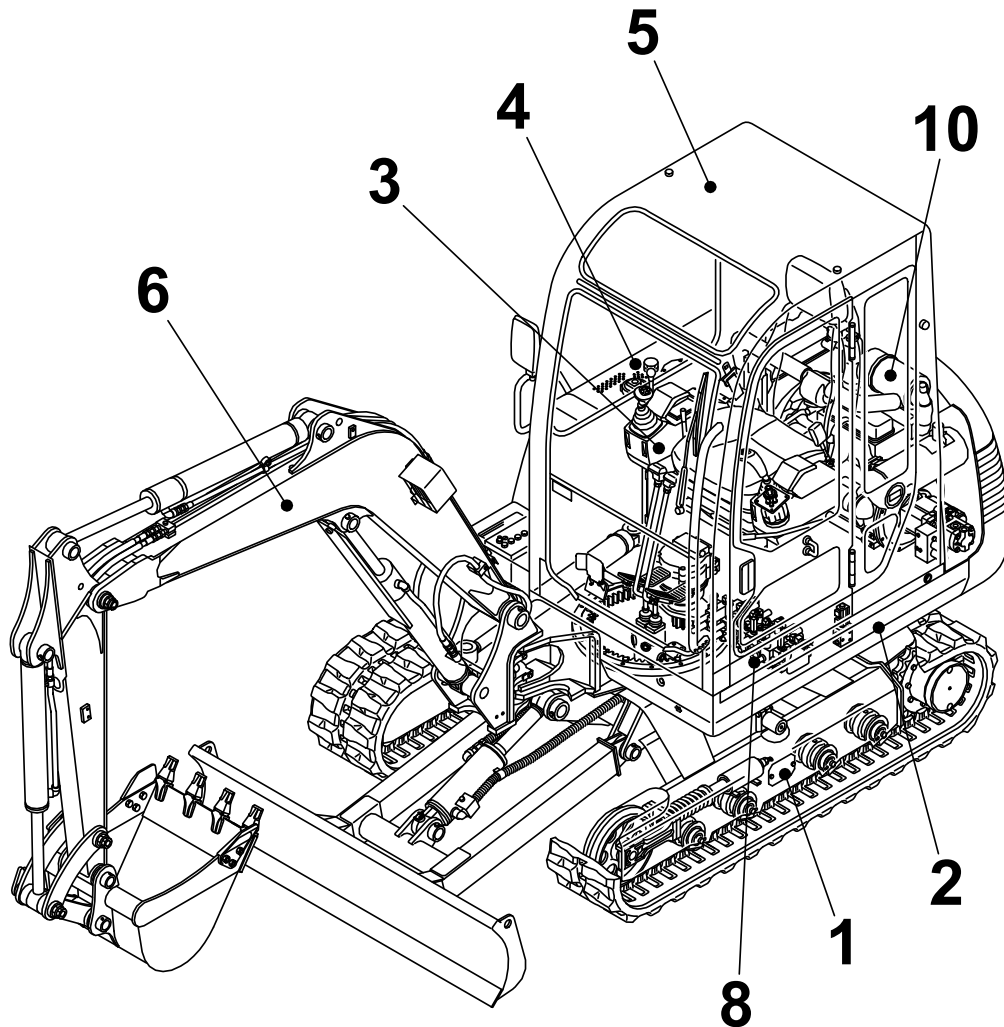


TB145

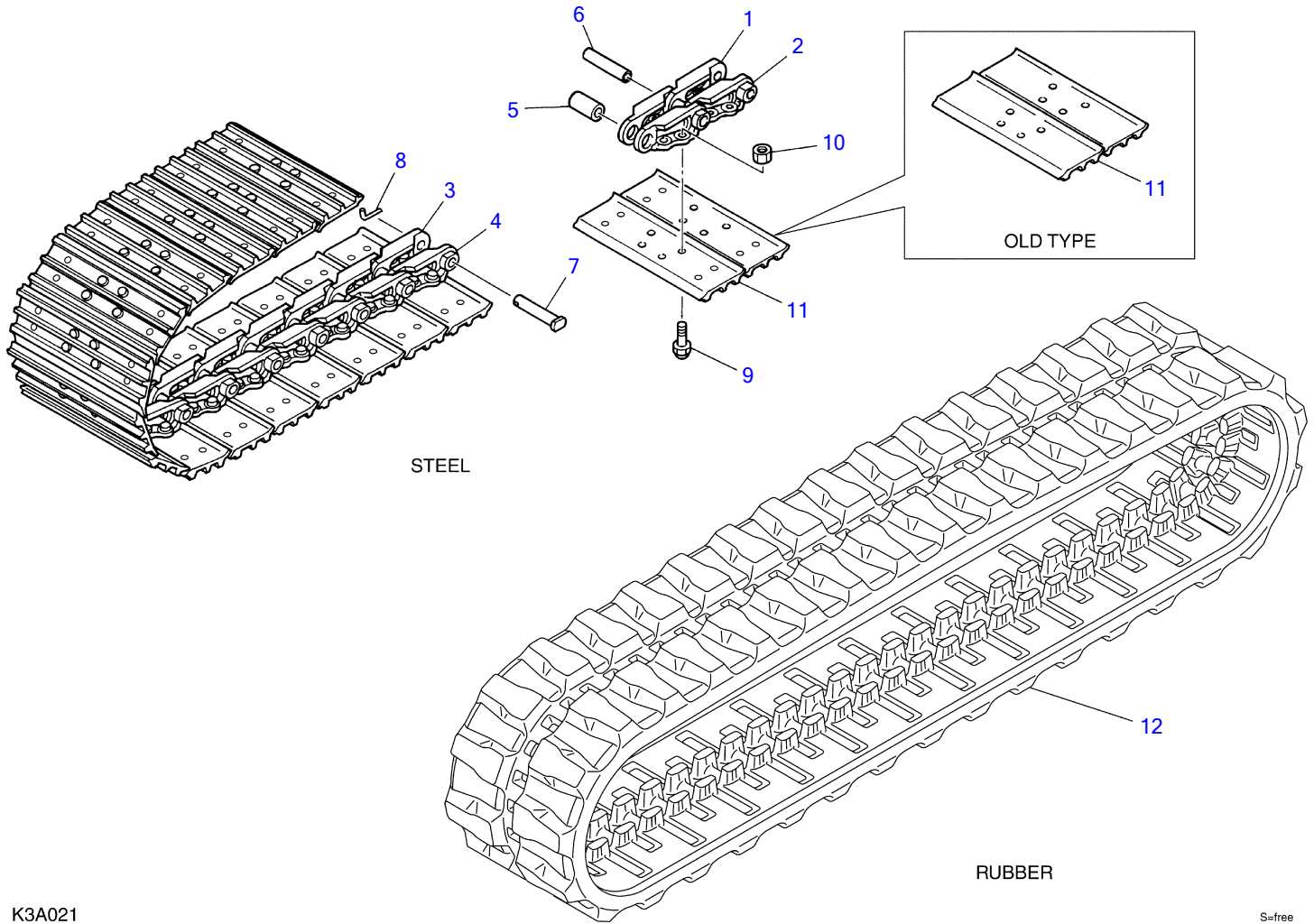
Book No. BK3Z010
Serial No. 14510004-



TAKEUCHI

Item	Part number	Description	INDEX				Remarks
			Q'ty	Chan.	Serial No.	Serv.	
1		UNDERCARRIAGE					
2		TURNTABLE & CONTROL LEVER					
3		ENGINE & ELECTRICAL SYSTEM					
4		HYDRAULIC PIPNG & TANK					
5		COVER & CAB					
6		HOE ATTACHMENT					
7		DECAL & TOOL					
8		HYDRAULIC DEVICE					
10		ENGINE 4TBNE88-(E)TB(1)					
		ENGINE 4TNV88-QTB,QTB1					
		ENGINE 4TNV88-QTBC					
		2008.7.11					

TB145 Book No. BK3Z010 S/N 14510004-
CRAWLER BELT



K3A021

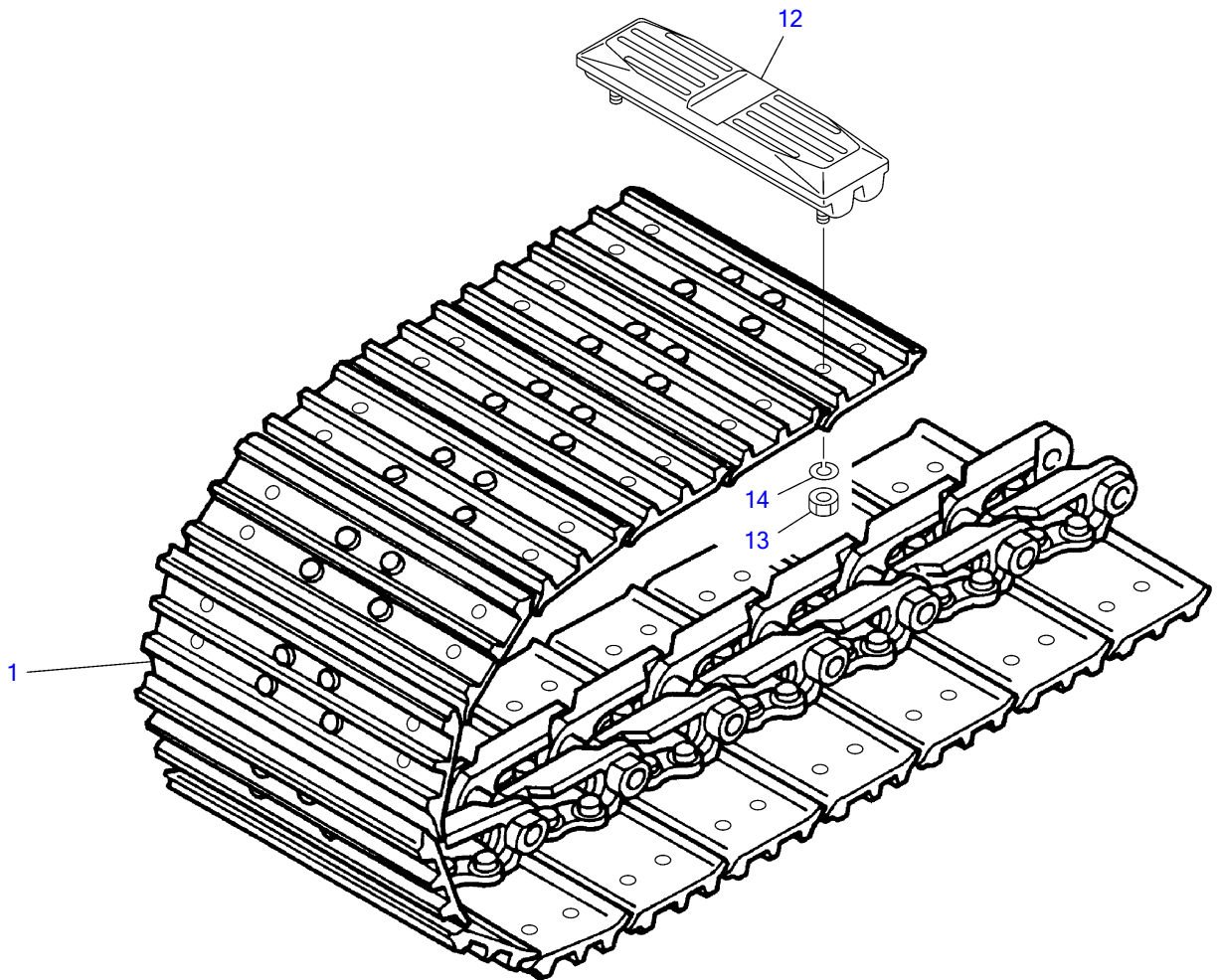
S=free

CRAWLER BELT

Item	Part number	Description	Q'ty	Chan.	Serial No.	Serv.	Remarks
0	1914051300	BELT, steel crawler (380wide)	2		old type		X19140-51300-0
	1914051600	BELT, steel crawler (400wide)	2	(H)	new type		X19140-51600-0
	1914051400	BELT, steel crawler (460wide)	2				X19140-51400-0
1	1914039001	▪ LINK (R.H.)	37				
2	1914039002	▪ LINK (L.H.)	37				
3	1914039003	▪ LINK, master (R.H.)	1				
4	1914039004	▪ LINK, master (L.H.)	1				
5	1914039012	▪ BUSHING	38				
6	1914039006	▪ PIN, track	37				
7	1914039007	▪ PIN, master	1				
8	1914039008	▪ PIN	1				
9	1914039009	▪ BOLT	152				
10	1914033010	▪ NUT	152				
11	1914051311	▪ PLATE, shoe	38		old type		380wide
	1914051611	▪ PLATE, shoe	38		new type		400wide
	1914051411	▪ PLATE, shoe	38				460wide
12	1914065200	BELT, rubber crawler	2		14510004~14512398		X19140-65200-0
	1914065400	BELT, rubber crawler	2	(H)	14512399~14512798		X19140-65400-0
	1914065500	BELT, rubber crawler	2	(H) (L)	14512799~14515681		X19140-65500-1
	1914065610	BELT, rubber crawler	2	(H)	14515682~14516264		X19140-65610-0
	1914065500	BELT, rubber crawler	2	(H) (L)	14516265~14516941		X19140-65500-1
	1914065610	BELT, rubber crawler	2	(H)	14516942~		X19140-65610-0

K3a025

TB145 Book No. BK3Z010 S/N 14510004-
CRAWLER BELT (with rubber pads)



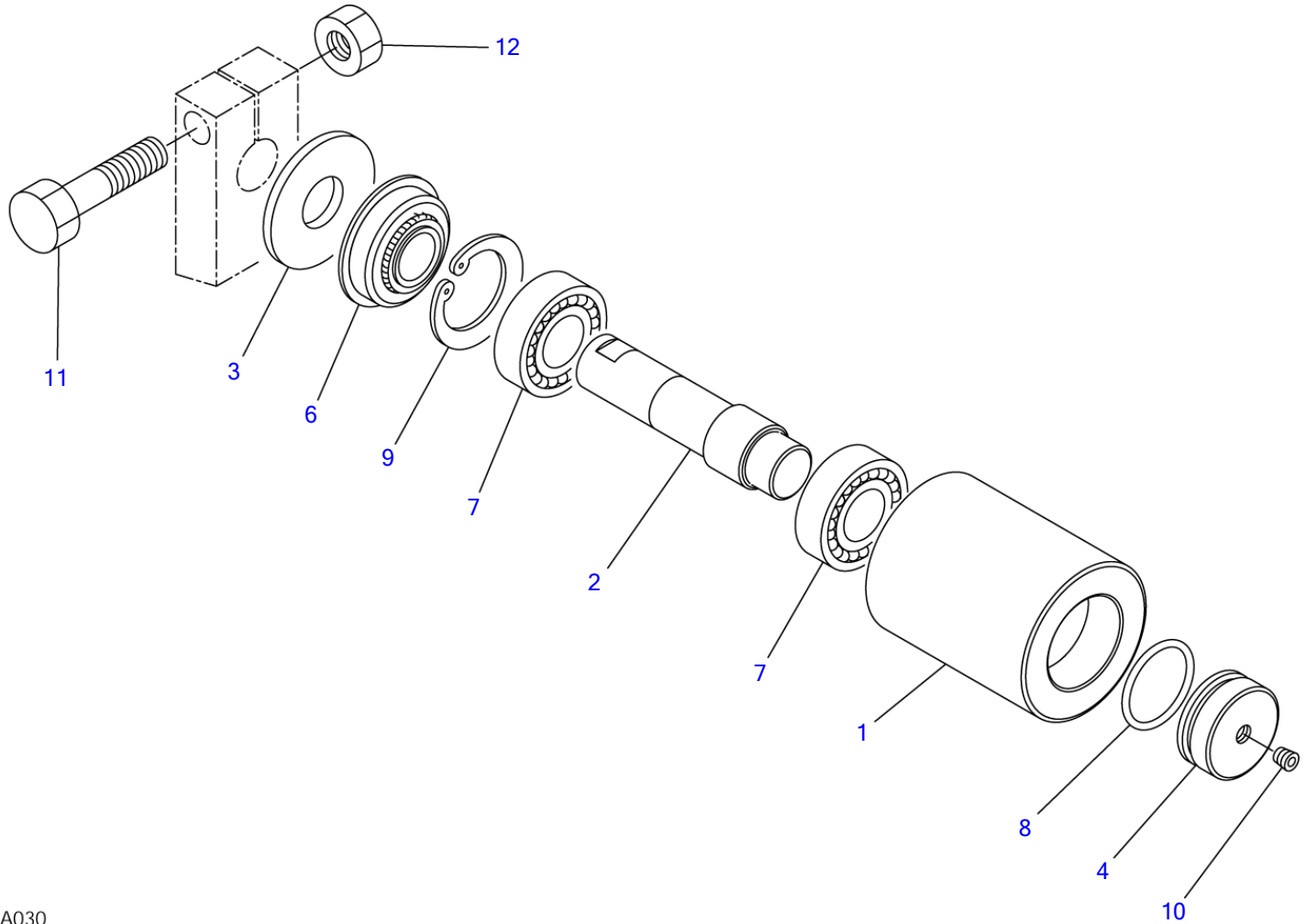
K3A152

S-free

CRAWLER BELT (with rubber pads)

Item	Part number	Description	Q'ty	Chan.	Serial No.	Serv.	Remarks
0	1914051700	BELT ASSY, steel crawler (with rubber pads)	2				X19140-51700-0
1	1914051600	▪ BELT, steel crawler	1				
12	1914400500	▪ PAD, rubber	38				
13	1130020012	▪ ▪ NUT	4				
14	1140020012	▪ ▪ WASHER, spring	4				
	K3a153						

TB145 Book No. BK3Z010 S/N 14510004-
CARRIER ROLLER (14510004-14513278)

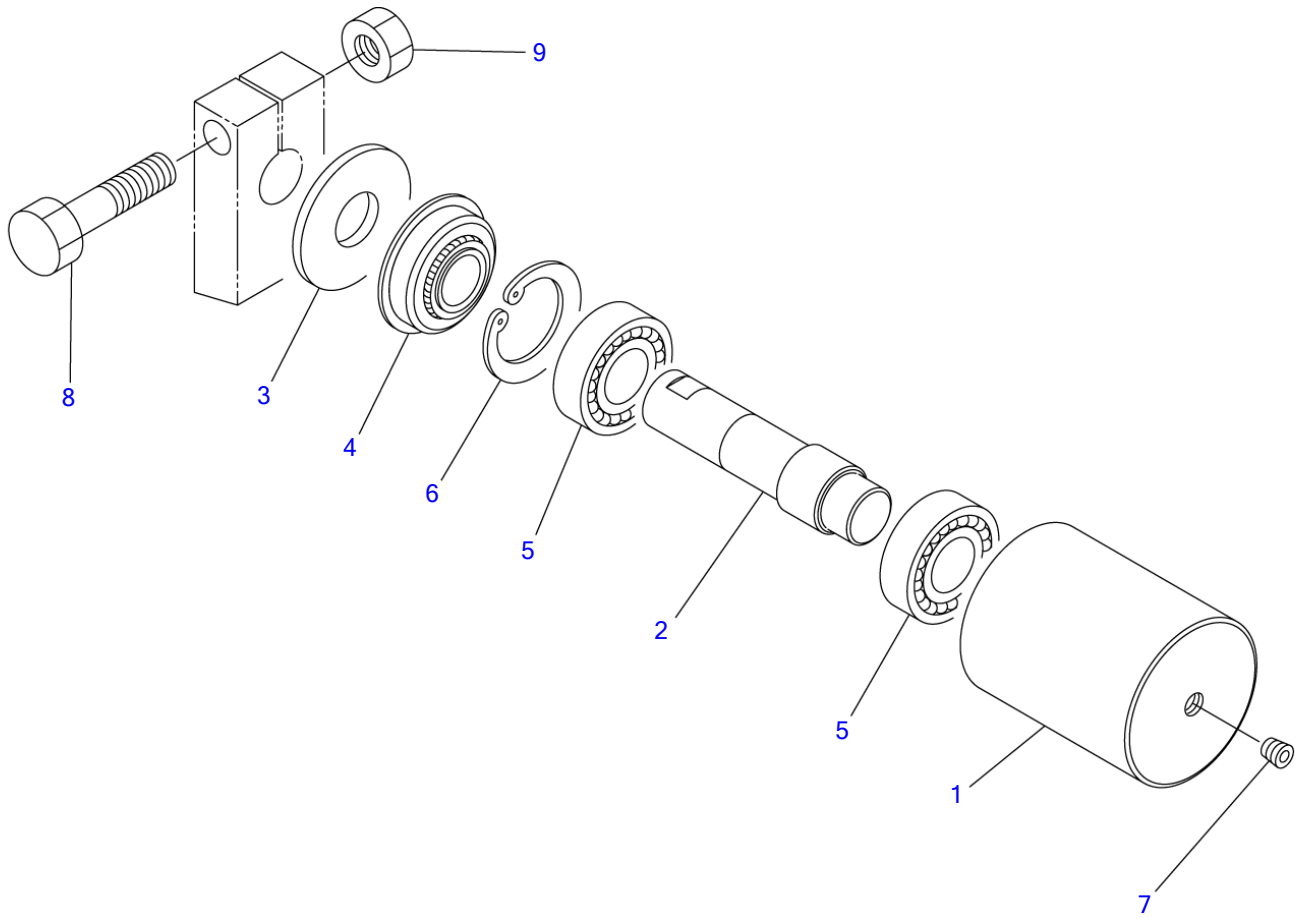


K3A030

S=1/3

CARRIER ROLLER (14510004-14513278)

Item	Part number	Description	Q'ty	Chan.	Serial No.	Serv.	Remarks
		ROLLER ASSY, carrier					X04612-01000-0
0-1	0461201100	ROLLER SUB ASSY	2				
1	0461200200	· ROLLER	1				
2	0461201200	· SHAFT	1				
3	0141201300	· COVER	1				
4	0171200400	· COVER	1				
6	1431203062	· SEAL	1				
7	1300006206	· BEARING	2				
8	1420100500	· O-RING	1				
9	1221000062	· RING, snap	1				
10	1501810001	· PLUG	1				
11	1101051665	BOLT	2				
12	1130550016	NUT	2				
	K3a031						



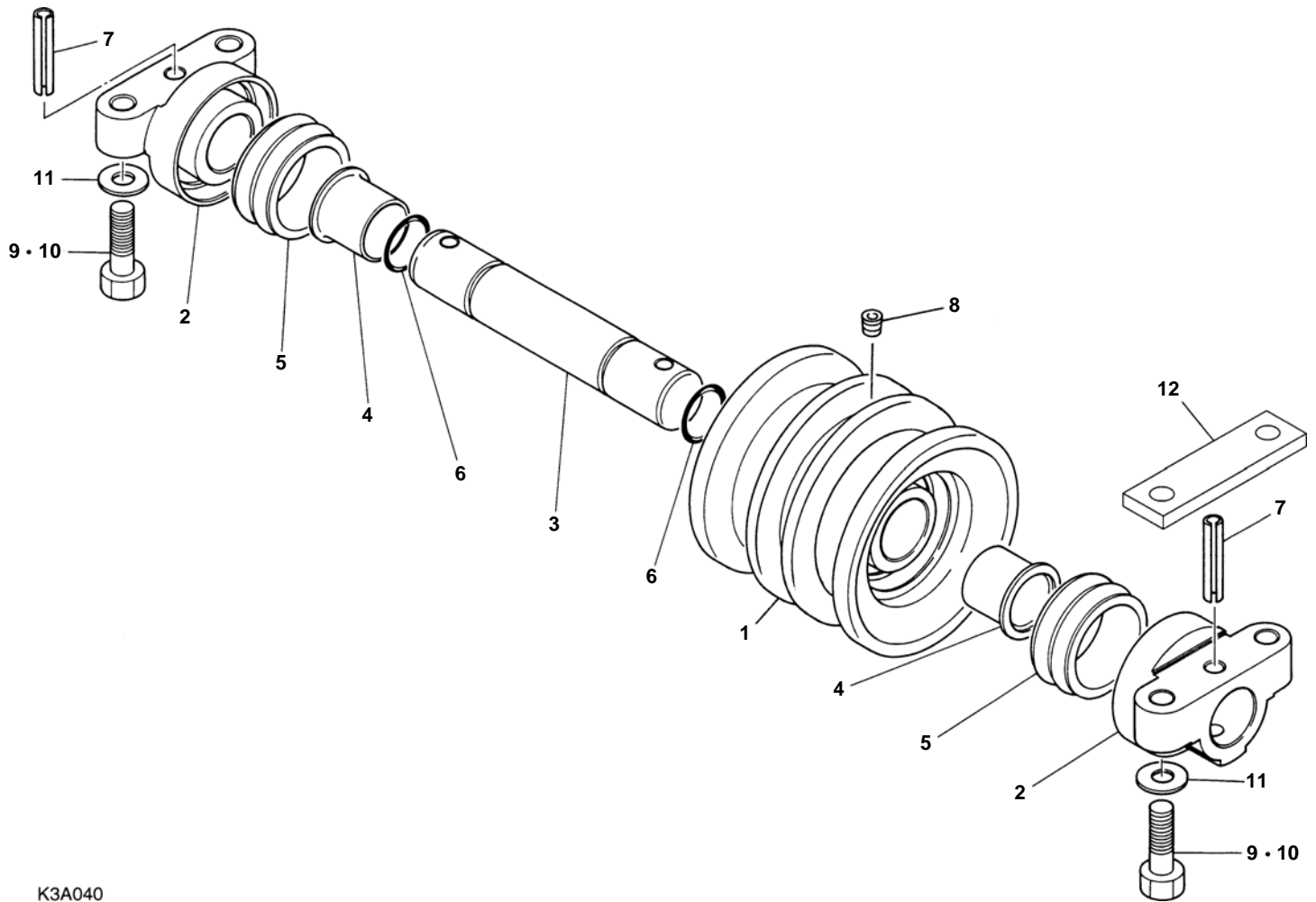
G4A100

S=1/3

CARRIER ROLLER (14513279-)

Item	Part number	Description	Q'ty	Chan.	Serial No.	Serv.	Remarks
		ROLLER ASSY, carrier					X03912-00000-2
0-1	0391200100	ROLLER SUB ASSY	2				
1	0391200110	▪ ROLLER	1				
2	0391200120	▪ SHAFT	1				
3	0141201300	▪ COVER	1				
4	1431203062	▪ SEAL	1				
5	1300006206	▪ BEARING	2				
6	1221000062	▪ RING, snap	1				
7	1501820001	▪ PLUG	1				
8	1101041670	BOLT	2				
9	1130540016	NUT	2				
	K3a141						

TB145 Book No. BK3Z010 S/N 14510004-
TRACK ROLLER

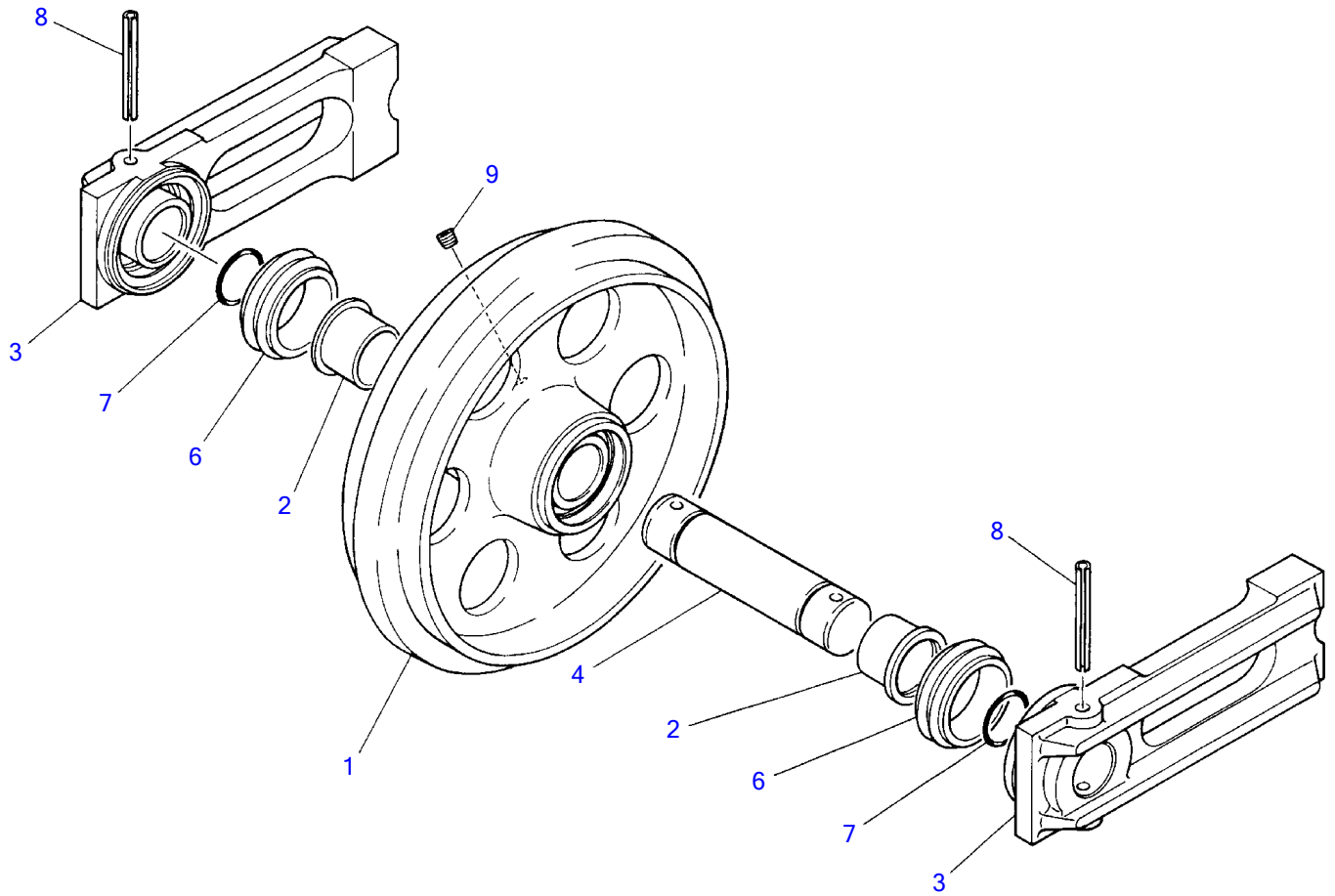


K3A040

TRACK ROLLER

Item	Part number	Description	Q'ty	Chan.	Serial No.	Serv.	Remarks
		ROLLER ASSY, track (rubber)					X03913-02000-5
		ROLLER ASSY, track (steel)					X03913-03000-5
0-1	0391302100	ROLLER SUB ASSY, track	10				
1	0391302300	• ROLLER	1				
2	0461300300	• COVER	2				
3	0461300400	• SHAFT	1				
4	1333073535	• BUSHING	2				
5	1432500560	• SEAL, floating	2				
6	1420100300	• O-RING	2				
7	1213001055	• PIN, spring	2				
8	1501810001	• PLUG	2				
9	1101051245	BOLT	40				
10	1101051255	BOLT	40				steel
11	1141540012	WASHER	40				
12	0391300400	PLATE	20				steel
	K3a042						

TB145 Book No. BK3Z010 S/N 14510004-
FRONT IDLER



K3A050

Thanks for your reading.

Please click here to download complete manual instantly.

And can also choose other manuals.

Feel free --->write to me with any questions.

Our service email:

manuals007@hotmail.com