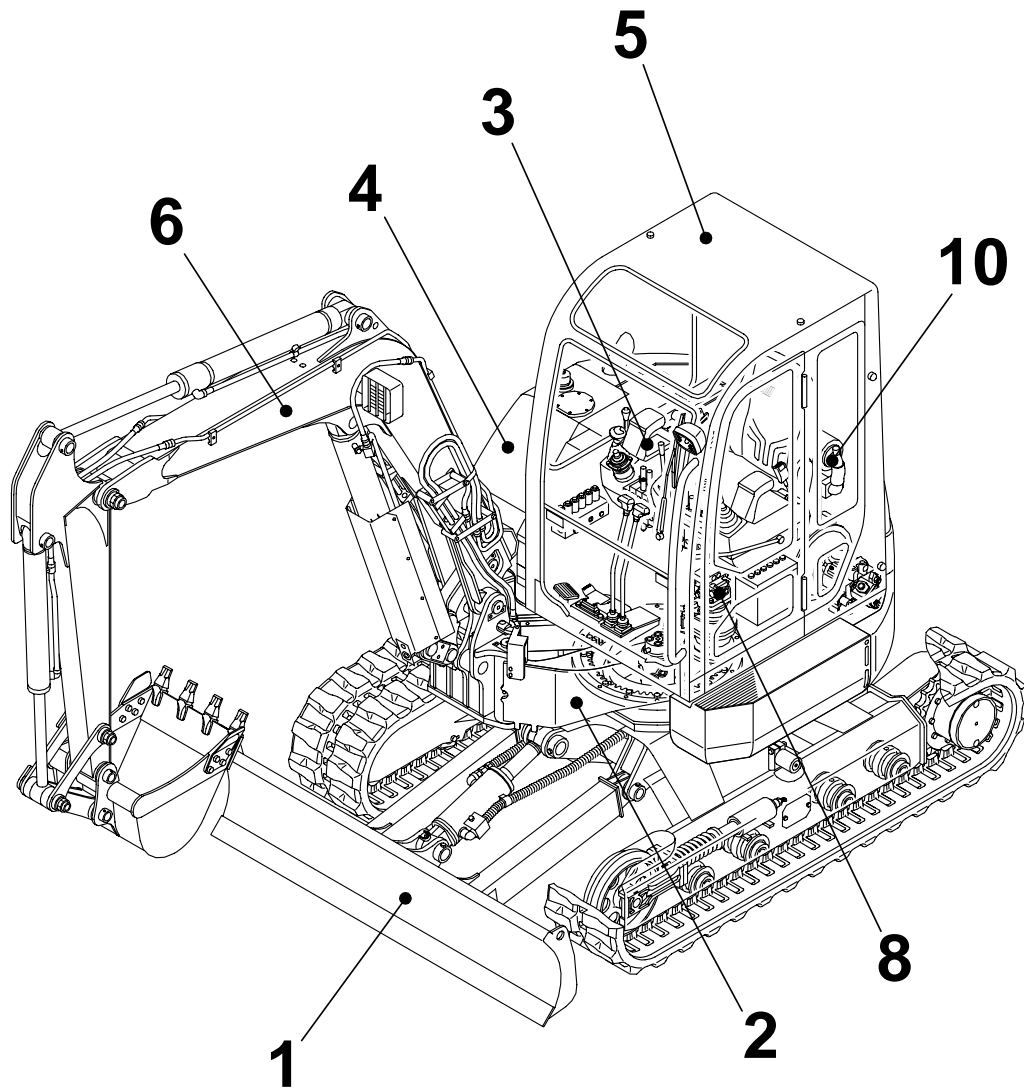


# TB138FR

Book No. BG5Z002  
Serial No.13810003-

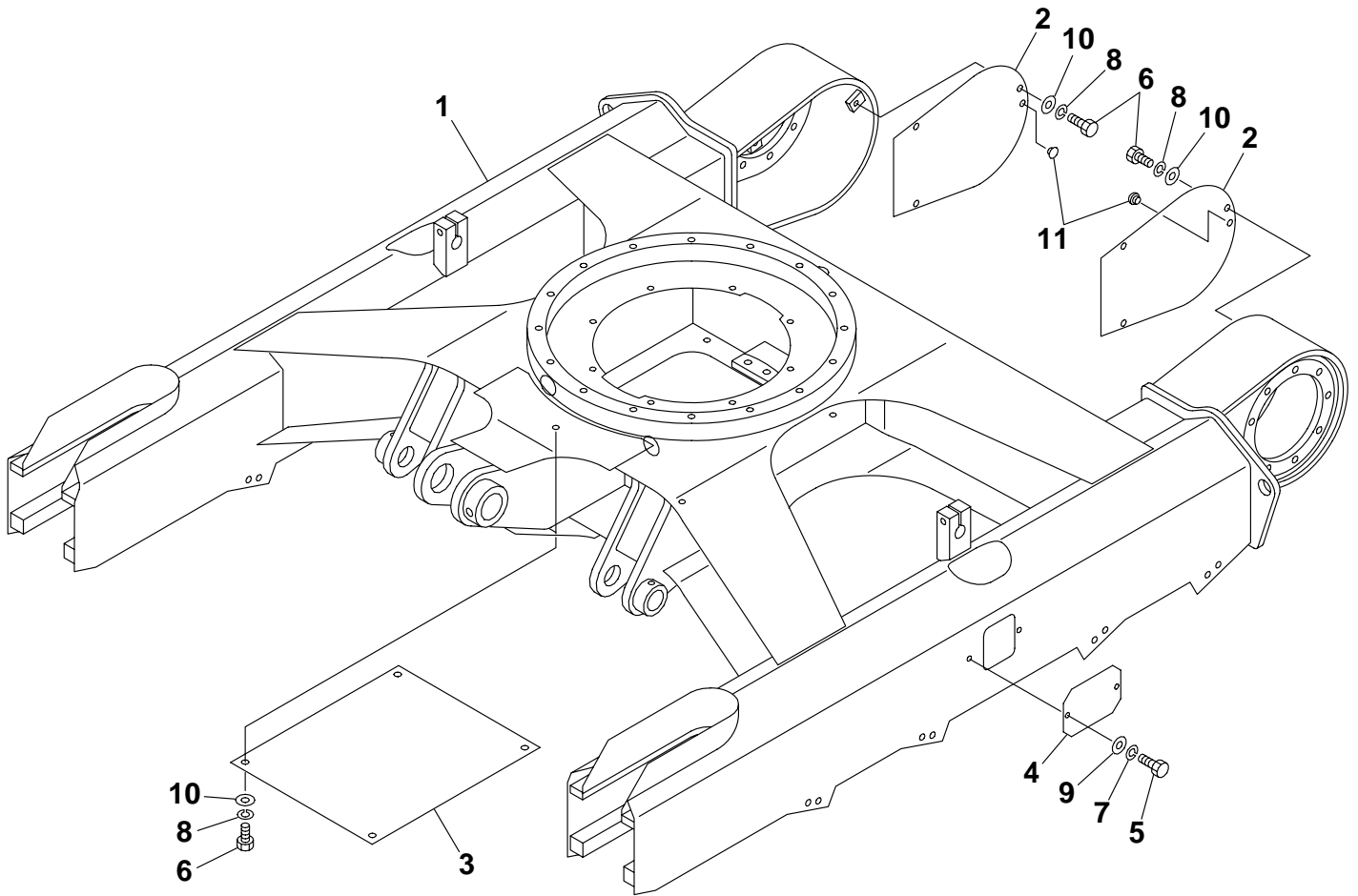


# TAKEUCHI



Item	Part number	Description	INDEX				Remarks
			Q'ty	Chan.	Serial No.	Serv.	
1		UNDERCARRIAGE					
2		TURNTABLE & CONTROL LEVER					
3		ENGINE & ELECTRICAL SYSTEM					
4		HYDRAULIC PIPNG & TANK					
5		COVER & CAB					
6		HOE ATTACHMENT					
7		DECAL & TOOL					
8		HYDRAULIC DEVICE					
10		ENGINE					
		2008.4.16					

TB138FR Book No. BG5Z002 S/N 13810003-  
**LOWER FRAME**



G5A010

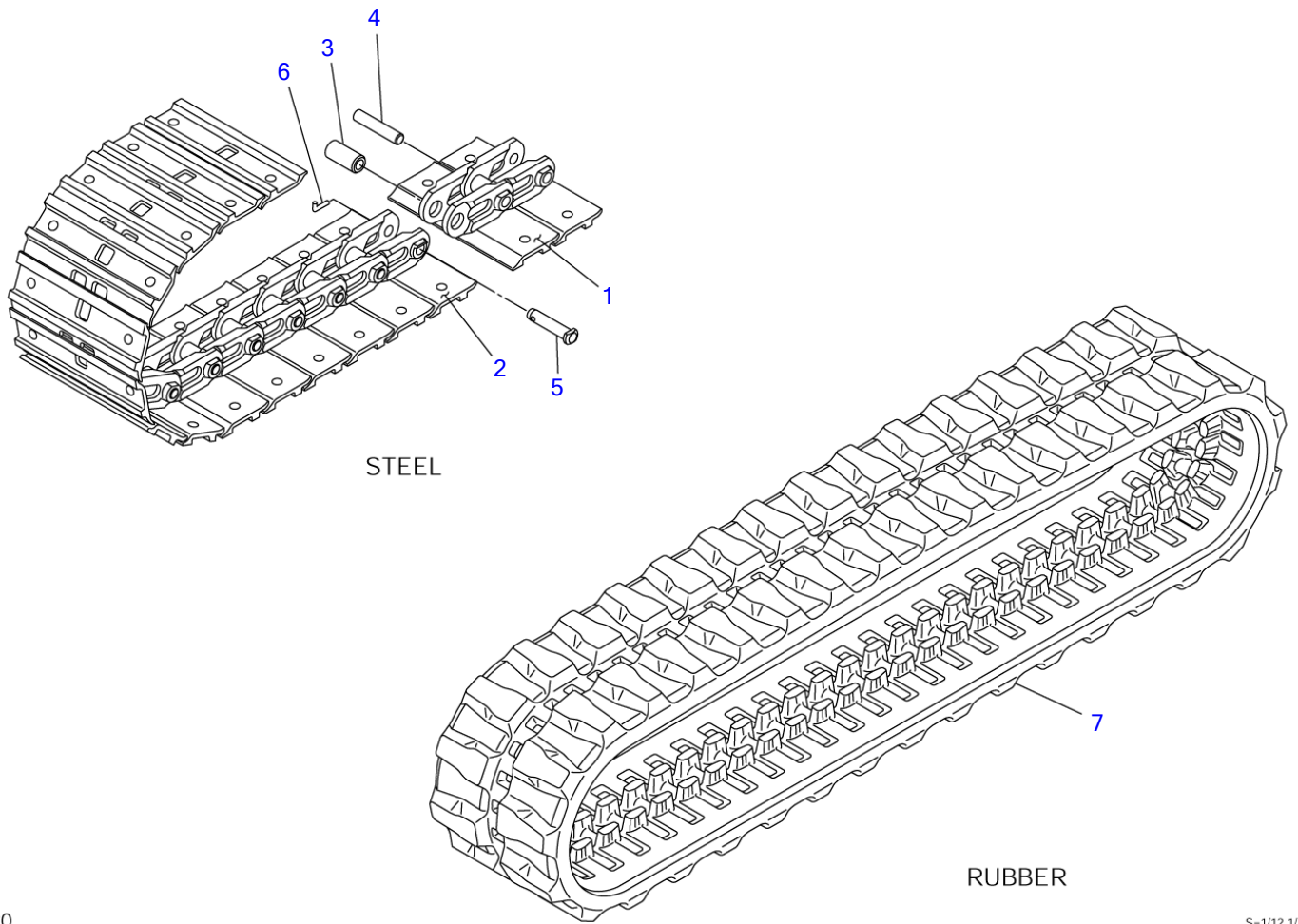
S-1/12

**LOWER FRAME**

Item	Part number	Description	Q'ty	Chan.	Serial No.	Serv.	Remarks
		FRAME ASSY, lower					X03710-17500-0
1	X *****	FRAME	1				
2	<b>03510-06010</b>	COVER	2				
3	<b>04310-03600</b>	COVER	1				
4	<b>03310-18600</b>	COVER	2				
5	<b>11000-40816</b>	BOLT	4				
6	<b>11000-41020</b>	BOLT	10				
7	<b>11400-20008</b>	WASHER, spring	4				
8	<b>11400-20010</b>	WASHER, spring	10				
9	<b>11411-10008</b>	WASHER	4				
10	<b>11411-10010</b>	WASHER	10				
11	<b>16525-33019</b>	CAP	2				

**G5a010**

TB138FR Book No. BG5Z002 S/N 13810003-  
CRAWLER BELT



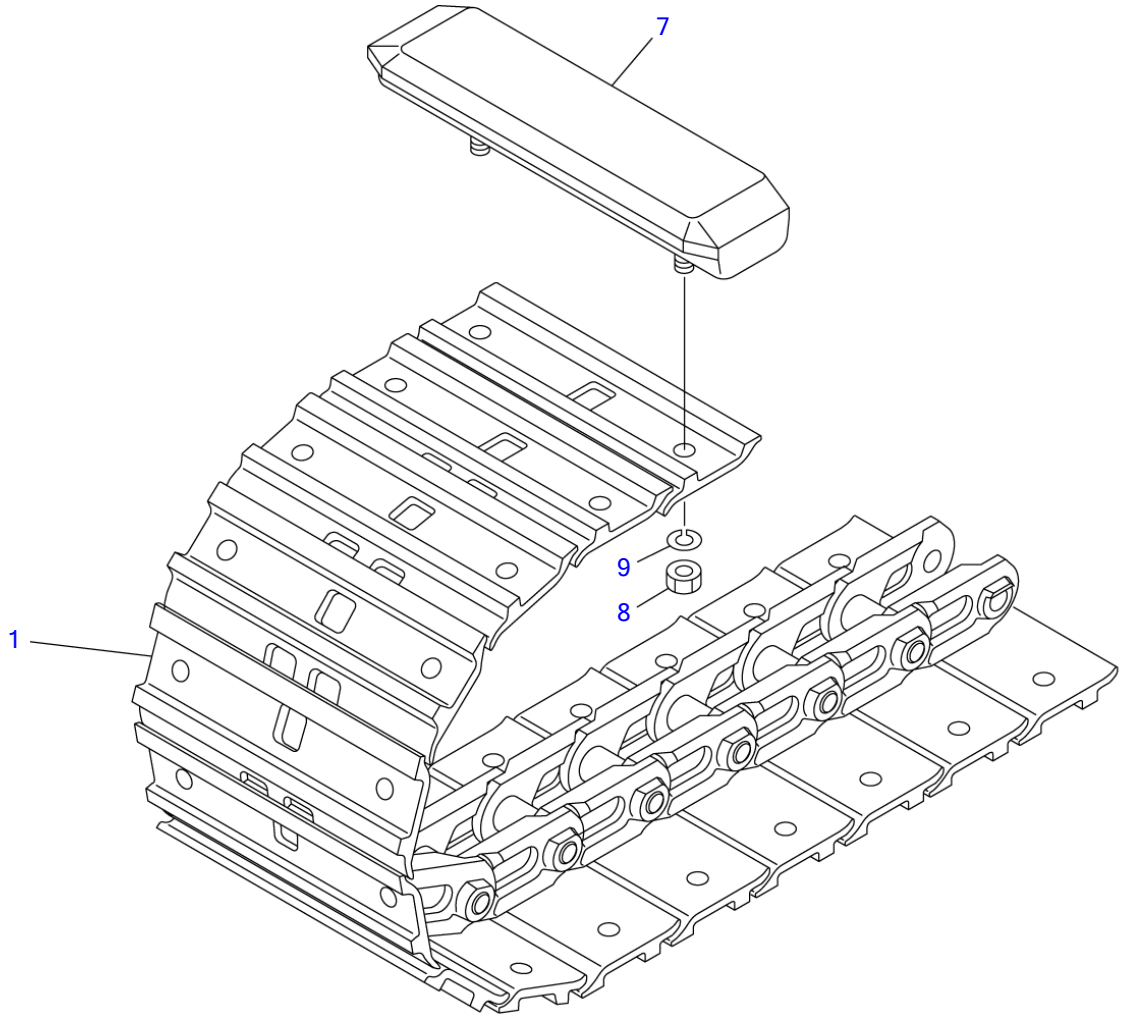
G5A020

S=1/12,1/14

**CRAWLER BELT**

Item	Part number	Description	Q'ty	Chan.	Serial No.	Serv.	Remarks
0-1	<b>1914054300</b>	BELT, steel crawler	2				
1	<b>1914054313</b>	▪ PLATE ASSY	42				
2	<b>1914054314</b>	▪ PLATE ASSY, master	1				
3	<b>1914053505</b>	▪ BUSHING	43				
4	<b>1914053506</b>	▪ PIN, track	42				
5	<b>1914053507</b>	▪ PIN, master	1				
6	<b>1914053508</b>	▪ PIN, cotter	1				
7	<b>1914068400</b>	BELT, rubber crawler	2				
	<b>G5a020</b>						

TB138FR Book No. BG5Z002 S/N 13810003-  
CRAWLER BELT (with rubber pads)



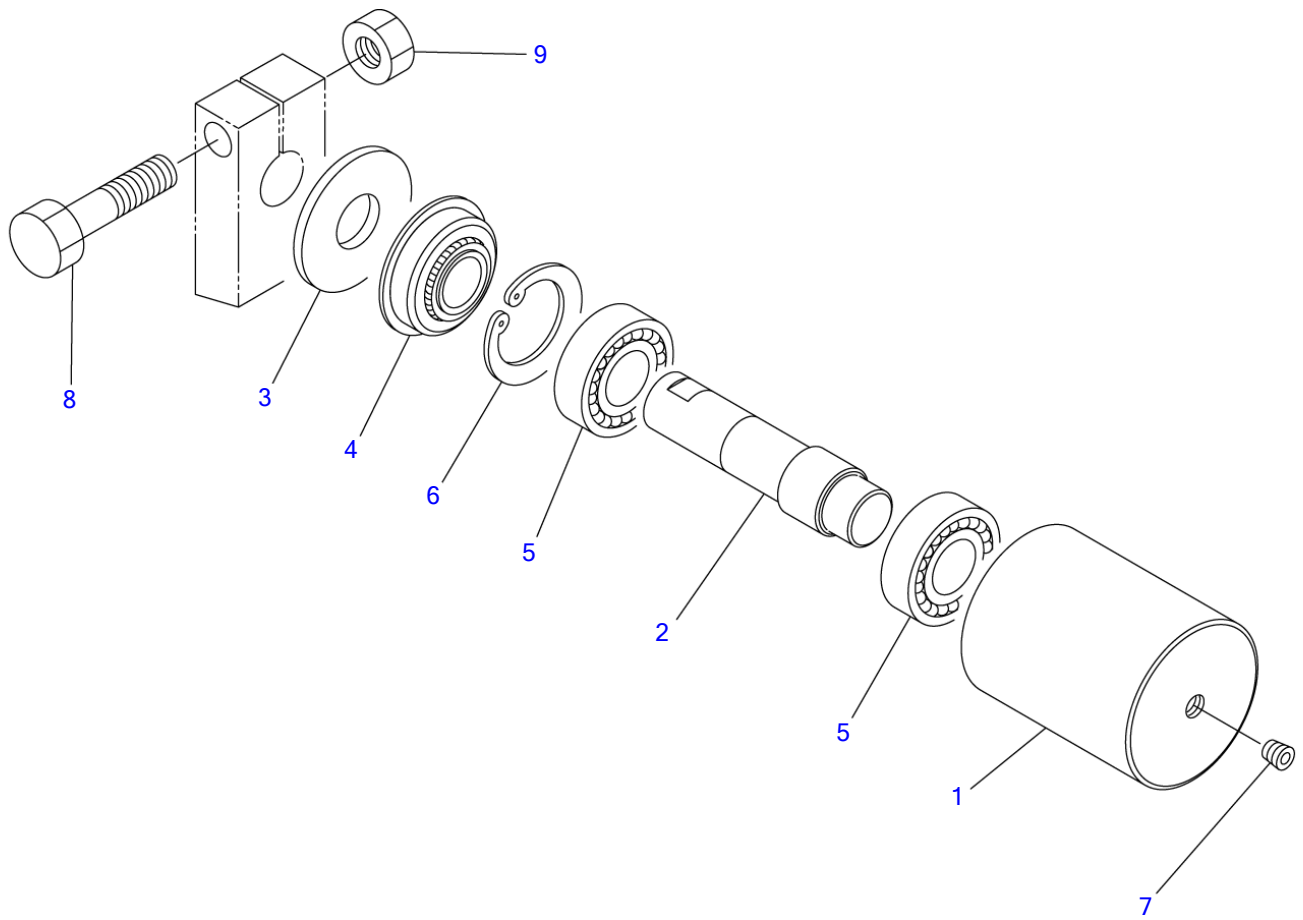
G4A112

S=1/6



**CRAWLER BELT (with rubber pads)**

Item	Part number	Description	Q'ty	Chan.	Serial No.	Serv.	Remarks
0	<b>1914054400</b>	BELT ASSY, steel crawler (with rubber pads)	2				
1	<b>1914054300</b>	▪ BELT, steel crawler	1				
7	<b>1914400400</b>	▪ PAD, rubber	43				
8	<b>1130020012</b>	▪ ▪ NUT	2				
9	<b>1140020012</b>	▪ ▪ WASHER, spring	2				
	<b>G4a113</b>						



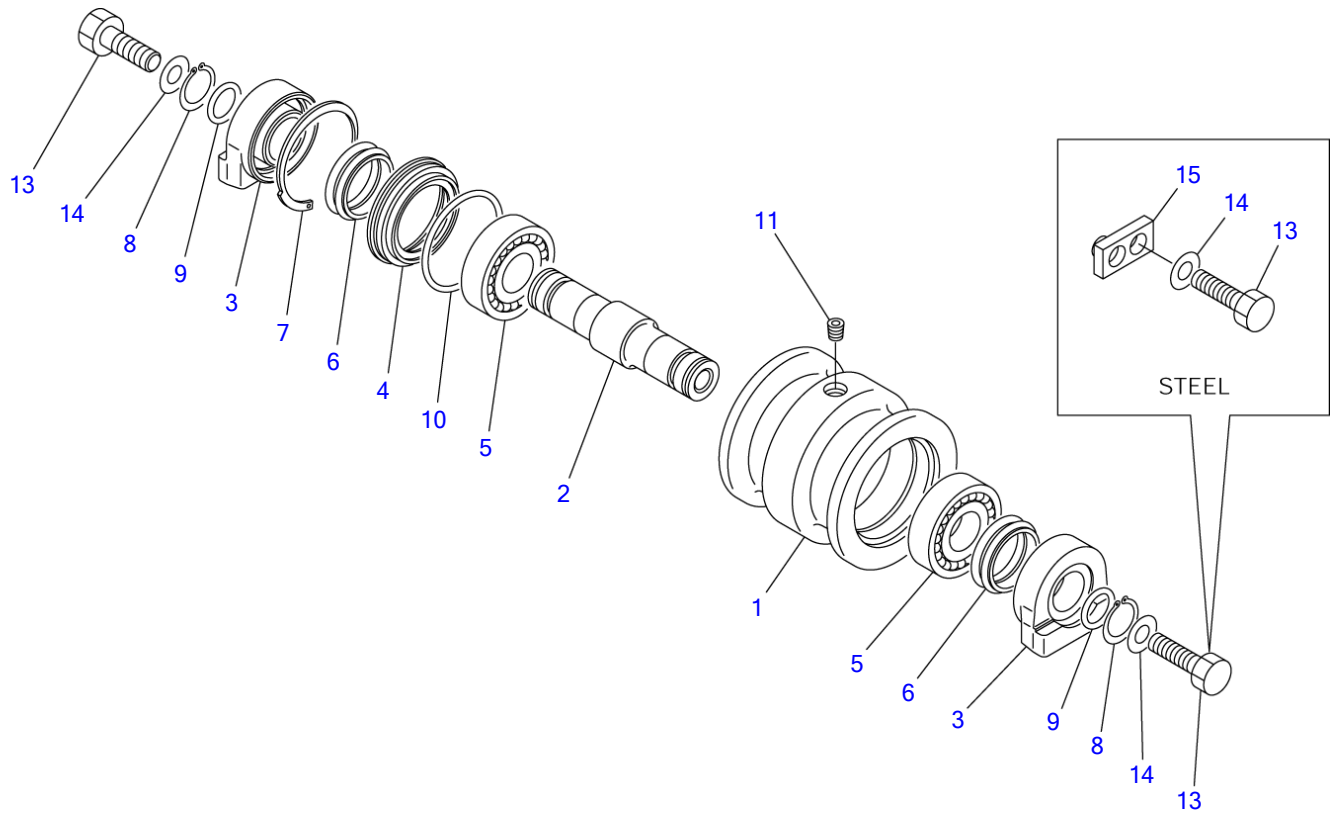
G4A100

S=1/3

**CARRIER ROLLER**

Item	Part number	Description	Q'ty	Chan.	Serial No.	Serv.	Remarks
		ROLLER ASSY, carrier					X03712-00000-1
0-1	<b>0371200100</b>	ROLLER SUB ASSY	2				
1	<b>0371200110</b>	▪ ROLLER	1				
2	<b>0431200200</b>	▪ SHAFT	1				
3	<b>0431200300</b>	▪ COVER	1				
4	<b>1431202552</b>	▪ SEAL	1				
5	<b>1300006205</b>	▪ BEARING	2				
6	<b>1221000052</b>	▪ RING, snap	1				
7	<b>1501820001</b>	▪ PLUG	1				
8	<b>1100041060</b>	BOLT	2				
9	<b>1130040010</b>	NUT	2				
	<b>G4a100</b>						

TB138FR Book No. BG5Z002 S/N 13810003-  
TRACK ROLLER



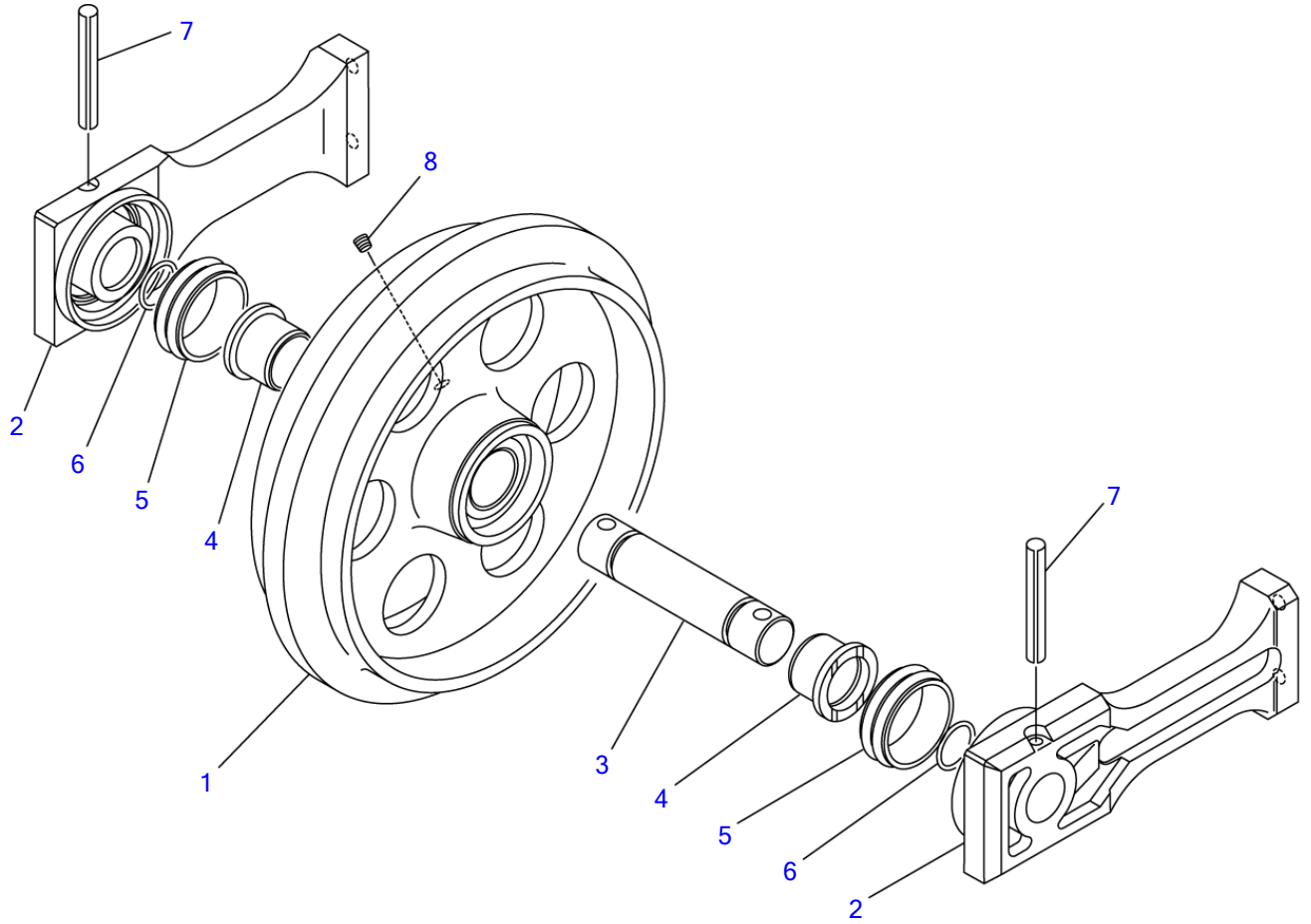
G4A030

S=1/5

**TRACK ROLLER**

Item	Part number	Description	Q'ty	Chan.	Serial No.	Serv.	Remarks
		ROLLER ASSY, track (steel)					X03713-00000-2
		ROLLER ASSY, track (rubber)					X04313-11000-2
0-1	<b>0431311100</b>	ROLLER SUB ASSY, track	8				
1	<b>0431311300</b>	• ROLLER	1				
2	<b>0431310200</b>	• SHAFT	1				
3	<b>0431310300</b>	• COVER	2				
4	<b>0431300400</b>	• RETAINER	1				
5	<b>1300006306</b>	• BEARING	2				
6	<b>1432500450</b>	• SEAL, floating	2				
7	<b>1222015080</b>	• RING, seeger	1				
8	<b>1220000030</b>	• RING, snap	2				
9	<b>1420100250</b>	• O-RING	2				
10	<b>1420100700</b>	• O-RING	1				
11	<b>1501810001</b>	• PLUG	1				
13	<b>1101051440</b>	BOLT	16				
	<b>1101051450</b>	BOLT	16				steel
14	<b>1141540014</b>	WASHER	16				
15	<b>0371300100</b>	STOPPER	16				steel
	<b>G4a031</b>						

TB138FR Book No. BG5Z002 S/N 13810003-  
FRONT IDLER



U1A050

S=1/5

**Thanks for your reading.**

**Please click here to download complete manual instantly.**

**And can also choose other manuals.**

**Feel free --->write to me with any questions.**

**Our service email:**

**manuals007@hotmail.com**