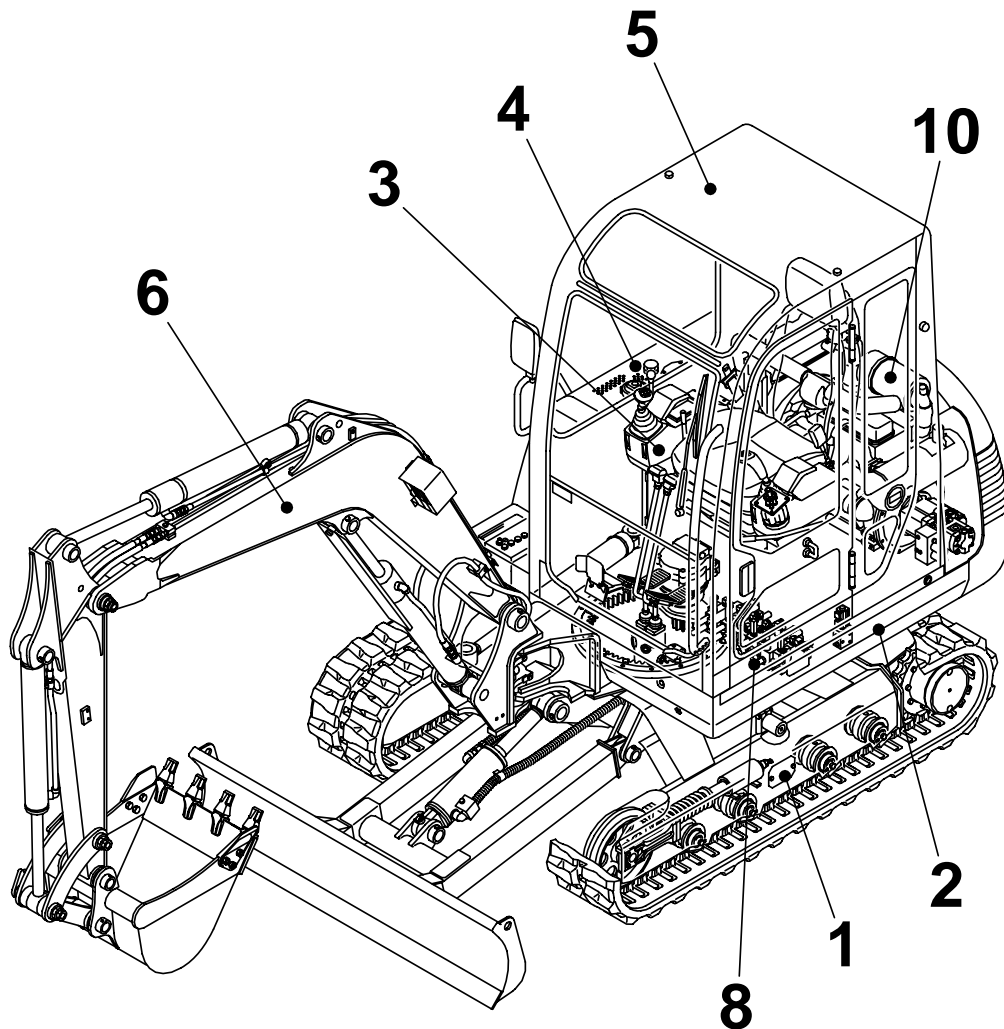


TB125

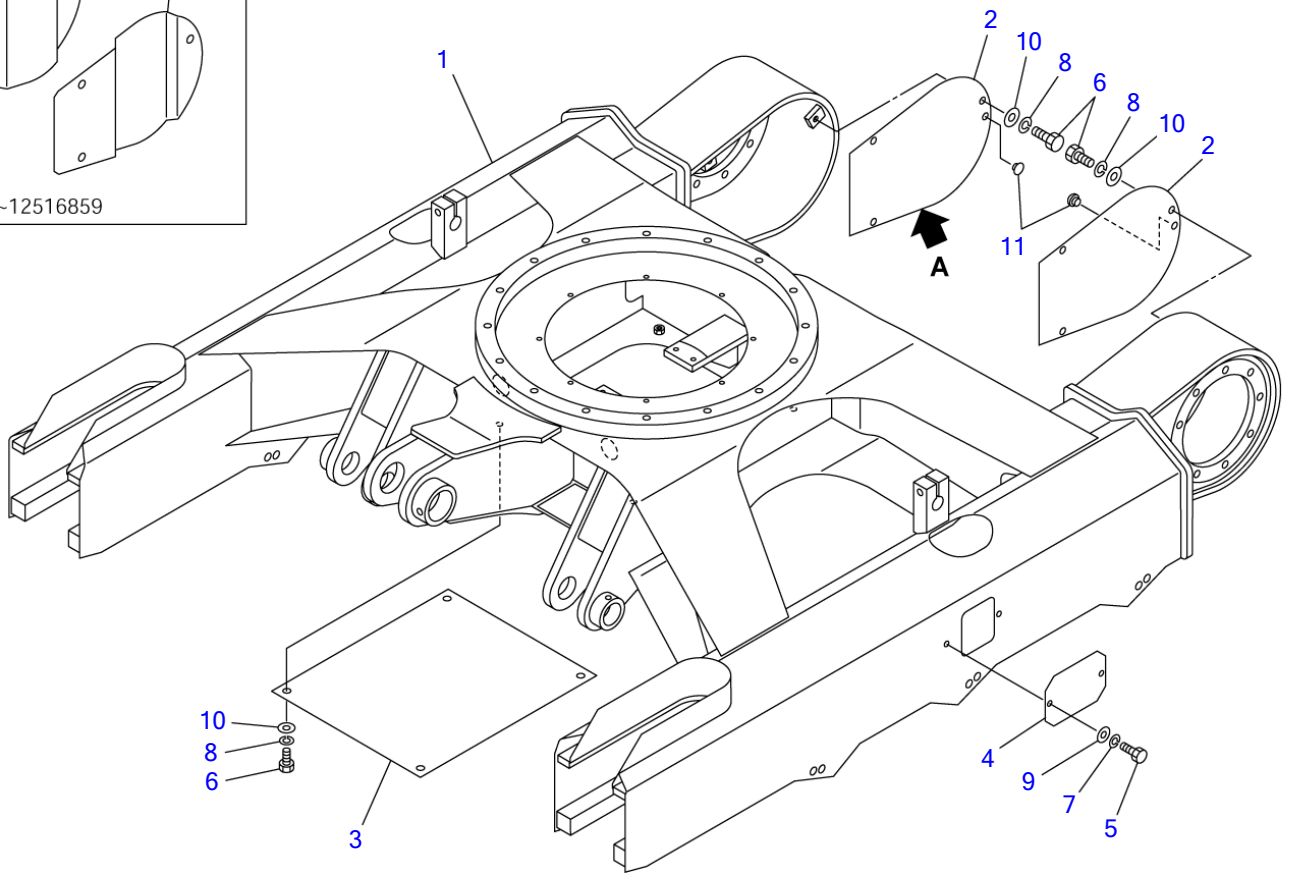
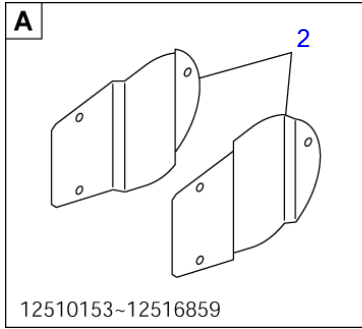
Book No. BE5Z010
Serial No. 12510010-



TAKEUCHI

Item	Part number	Description	INDEX				Remarks
			Q'ty	Chan.	Serial No.	Serv.	
1		UNDERCARRIAGE					
2		TURNTABLE & CONTROL LEVER					
3		ENGINE & ELECTRICAL SYSTEM					
4		HYDRAULIC PIPNG & TANK					
5		COVER & CAB					
6		HOE ATTACHMENT					
7		DECAL & TOOL					
8		HYDRAULIC DEVICE					
10		ENGINE(3TNE82A-TB)					
		ENGINE(3TNE82A-ETB)					
		ENGINE(3TNV82A-QTB,QTB1)					
		2008.4.18					

TB125 Book No. BE5Z010 S/N 12510009-
LOWER FRAME

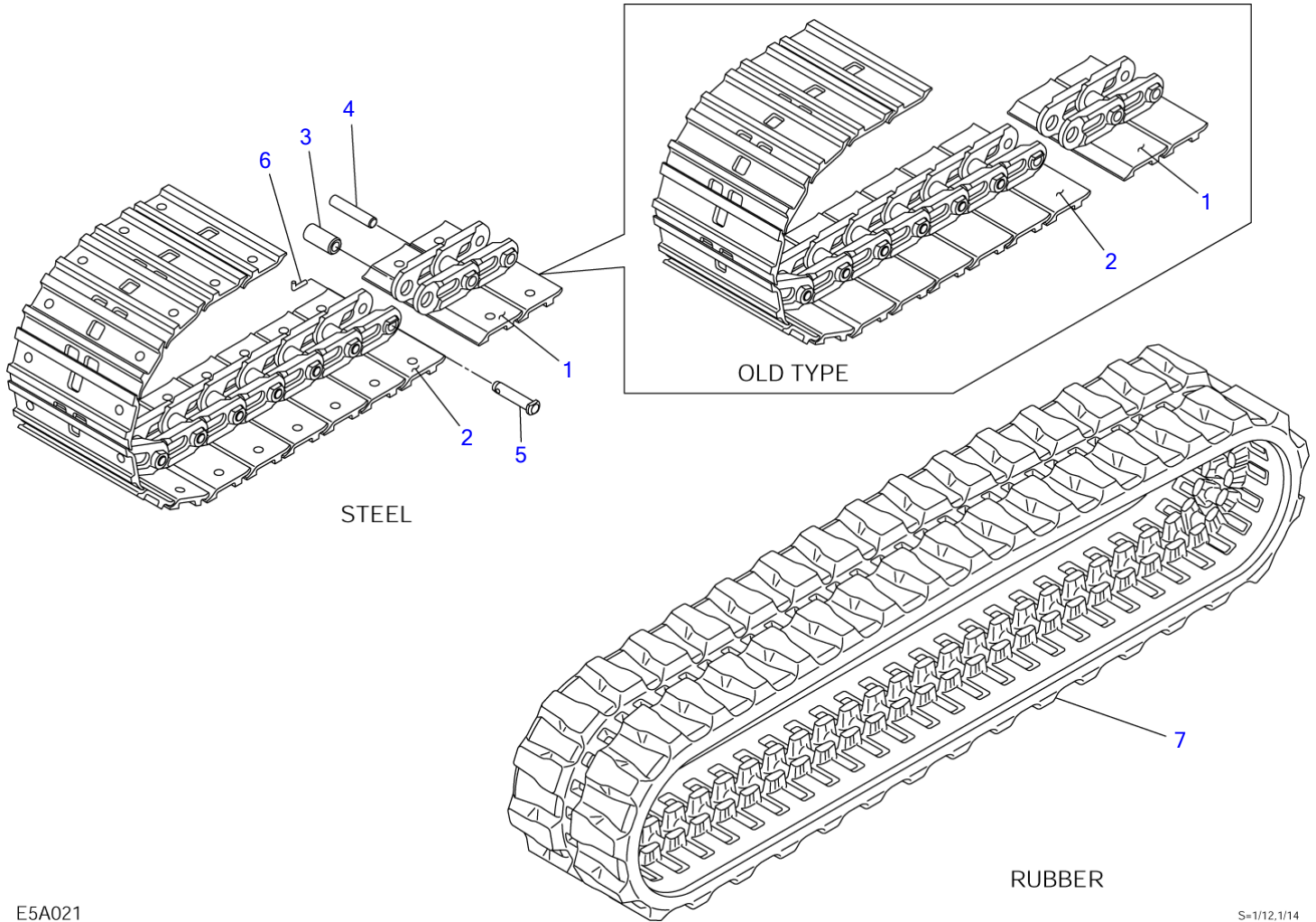


E5A012

S-1/12

LOWER FRAME							
Item	Part number	Description	Q'ty	Chan.	Serial No.	Serv.	Remarks
		FRAME ASSY, lower					X03510-06000-2
1	X *****	FRAME	1				
2	0351006010	COVER	2		12510009~12510152		
	0351006020	COVER	2	(H)(L)	12510153~12516859		
	0351006010	COVER	2		12516860~		
3	0431003600	COVER	1				
4	0331018600	COVER	2				
5	1100040816	BOLT	4				
6	1100041016	BOLT	10				
7	1140020008	WASHER, spring	4				
8	1140020010	WASHER, spring	10				
9	1141110008	WASHER	4				
10	1141110010	WASHER	10				
11	1652533019	CAP	2		12516860~		
	E5a012						

TB125 Book No. BE5Z010 S/N 12510009-
CRAWLER BELT



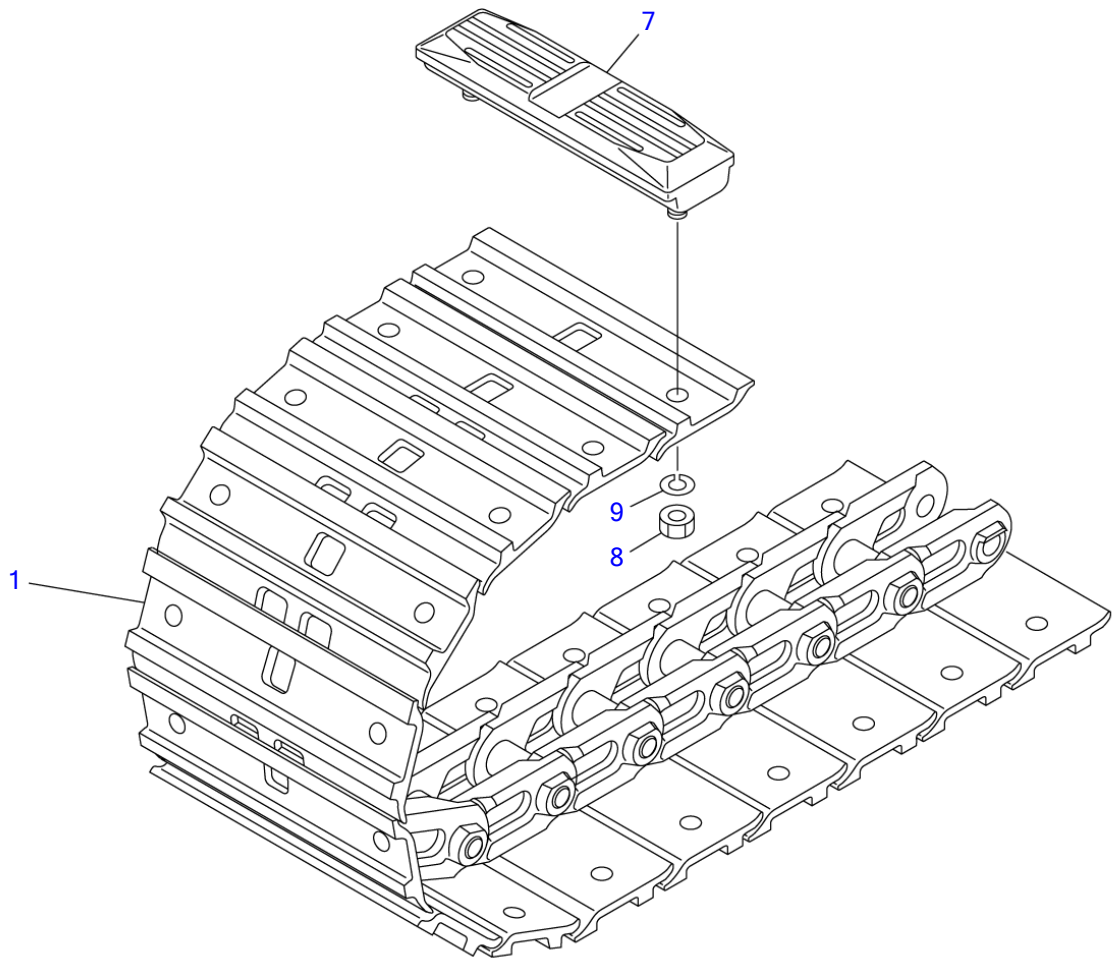
E5A021

S=1/12,1/14

CRAWLER BELT

Item	Part number	Description	Q'ty	Chan.	Serial No.	Serv.	Remarks
0	1914053400	BELT, steel crawler	2		old type		X19140-53400-0
	1914053600	BELT, steel crawler	2	(H)	new type		X19140-53600-0
1	1914053413	▪ PLATE ASSY	38		old type		
	1914053613	▪ PLATE ASSY	38		new type		
2	1914053414	▪ PLATE ASSY, master	1		old type		
	1914053614	▪ PLATE ASSY, master	1		new type		
3	1914053505	▪ BUSHING	39				
4	1914053506	▪ PIN, track	38				
5	1914053507	▪ PIN, master	1				
6	1914053608	▪ PIN, cotter	1				
7	1914067600	BELT, rubber crawler	2		12510009~12513553		X19140-67600-0
	1914067900	BELT, rubber crawler	2	(H)	12513554~		X19140-67900-1
	E5a025						

TB125 Book No. BE5Z010 S/N 12510009-
CRAWLER BELT (with rubber pads)



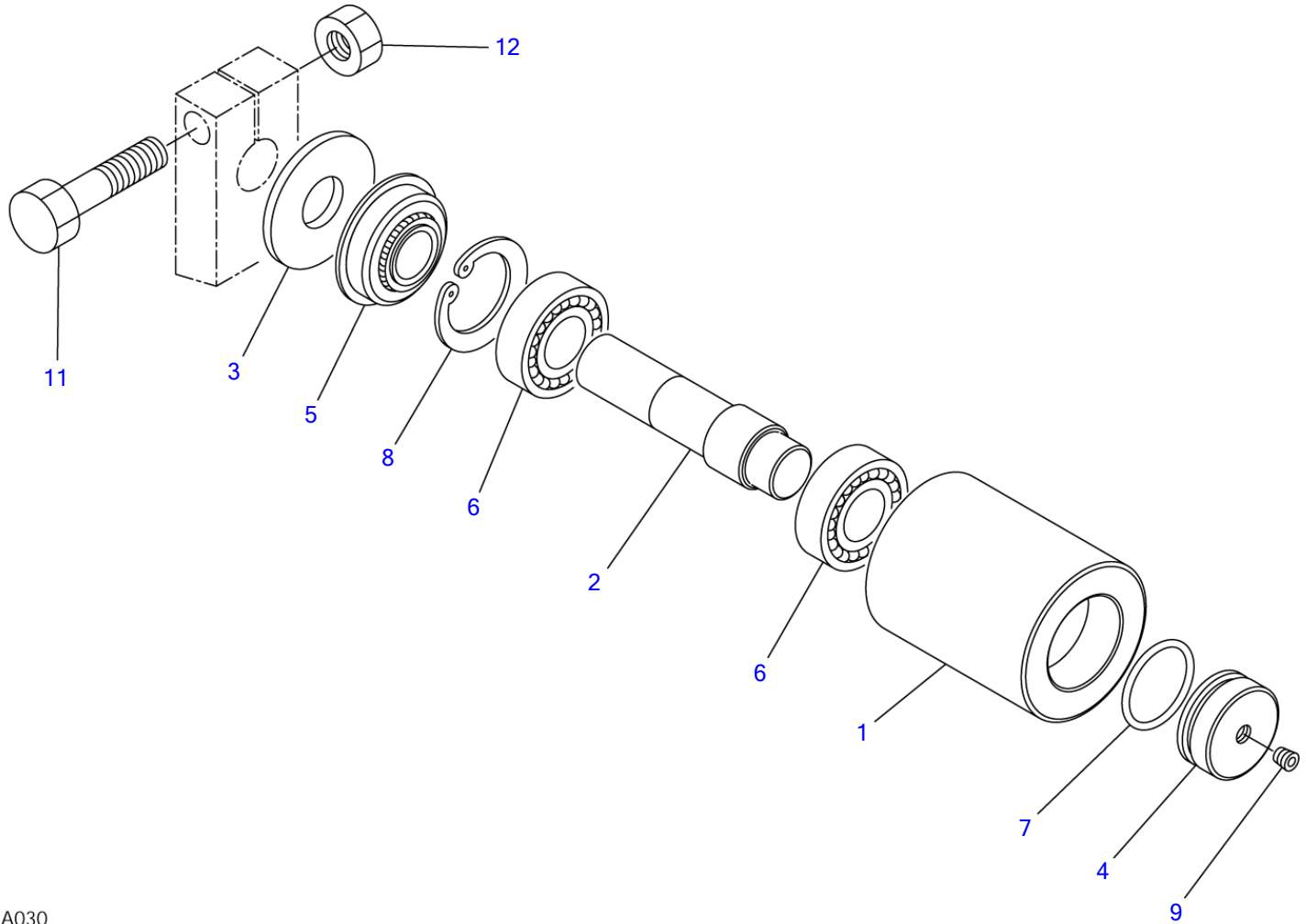
E5A131

S=1/6

CRAWLER BELT (with rubber pads)

Item	Part number	Description	Q'ty	Chan.	Serial No.	Serv.	Remarks
0	1914053700	BELT ASSY, steel crawler (with rubber pads)	2				X19140-53700-0
1	1914053600	▪ BELT, steel crawler	1				
7	1914400300	▪ PAD, rubber	39				
8	1130020012	▪ ▪ NUT	2				
9	1140020012	▪ ▪ WASHER, spring	2				
	E5a133						

TB125 Book No. BE5Z010 S/N 12510009-
CARRIER ROLLER (12510009-12513451)



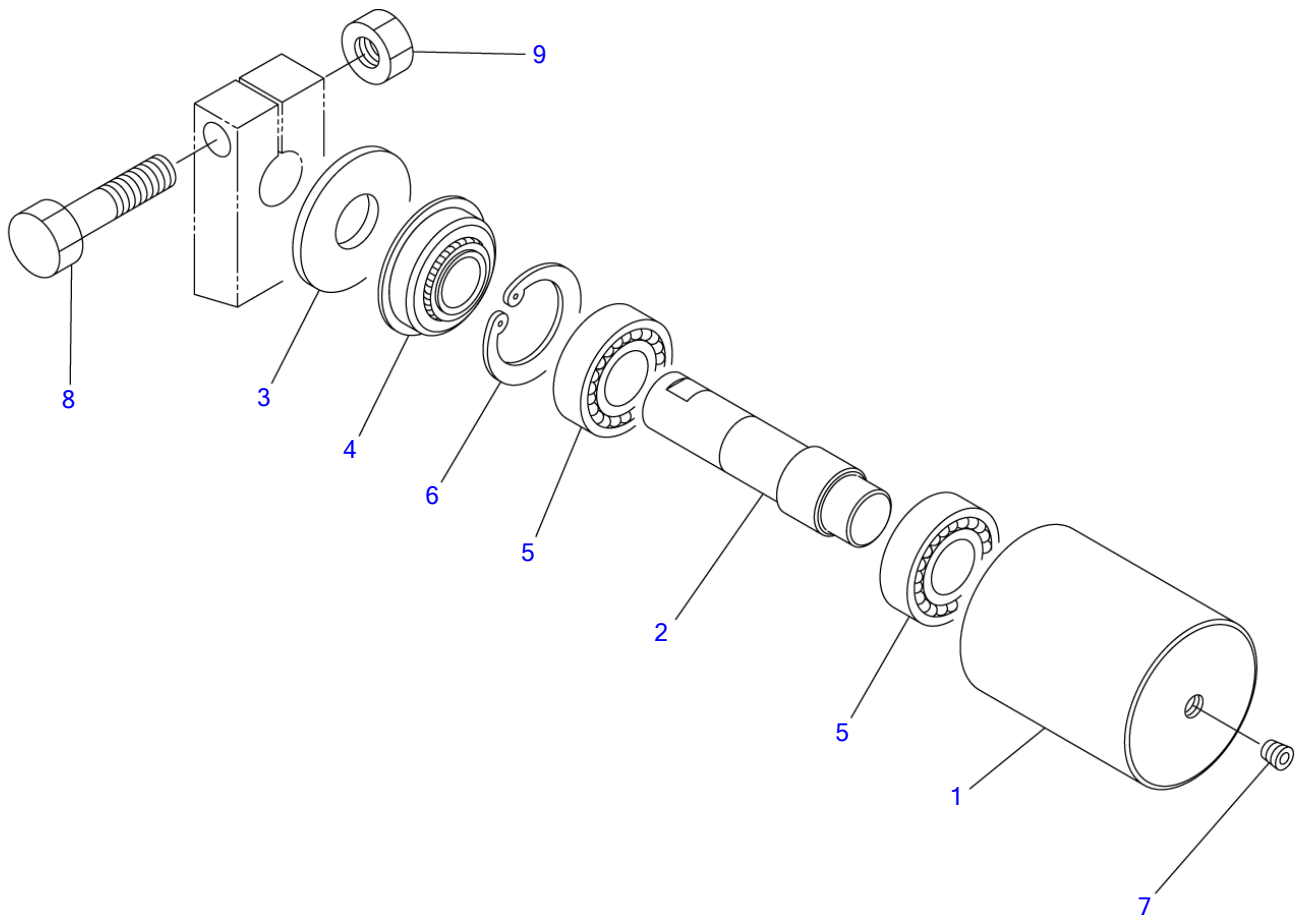
U1A030

S=1/3

CARRIER ROLLER (12510009-12513451)

Item	Part number	Description	Q'ty	Chan.	Serial No.	Serv.	Remarks
		ROLLER ASSY, carrier					X04312-02000-0
0-1	0431200500	ROLLER SUB ASSY	2				
1	0431200100	· ROLLER	1				
2	0431200200	· SHAFT	1				
3	0431200300	· COVER	1				
4	0431200400	· COVER	1				
5	1431202552	· SEAL	1				
6	1300006205	· BEARING	2				
7	1420100400	· O-RING	1				
8	1221000052	· RING, snap	1				
9	1501810001	· PLUG	1				
11	1100051060	BOLT	2				
12	1130050010	NUT	2				
	U1a030						

TB125 Book No. BE5Z010 S/N 12510009-
CARRIER ROLLER (12513452-)



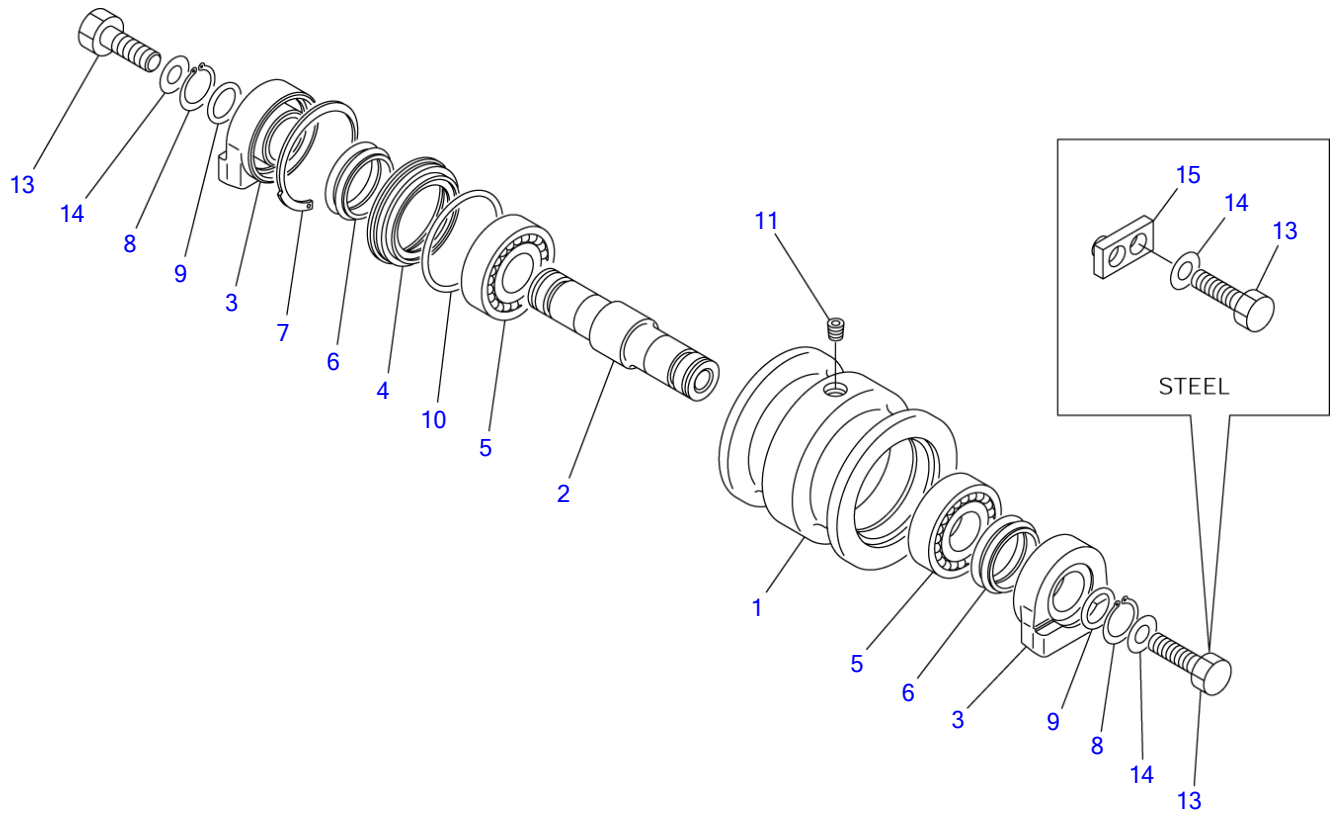
G4A100

S=1/3

CARRIER ROLLER (12513452-)

Item	Part number	Description	Q'ty	Chan.	Serial No.	Serv.	Remarks
		ROLLER ASSY, carrier					X03712-00000-1
0-1	0371200100	ROLLER SUB ASSY	2				
1	0371200110	▪ ROLLER	1				
2	0431200200	▪ SHAFT	1				
3	0431200300	▪ COVER	1				
4	1431202552	▪ SEAL	1				
5	1300006205	▪ BEARING	2				
6	1221000052	▪ RING, snap	1				
7	1501820001	▪ PLUG	1				
8	1100041060	BOLT	2				
9	1130040010	NUT	2				
	G4a100						

TB125 Book No. BE5Z010 S/N 12510009-
TRACK ROLLER



G4A030

S=1/5

TRACK ROLLER

Item	Part number	Description	Q'ty	Chan.	Serial No.	Serv.	Remarks
		ROLLER ASSY, track (steel)					X03713-00000-2
		ROLLER ASSY, track (rubber)					X04313-11000-2
0-1	0431311100	ROLLER SUB ASSY, track	6				
1	0431311300	• ROLLER	1				
2	0431310200	• SHAFT	1				
3	0431310300	• COVER	2				
4	0431300400	• RETAINER	1				
5	1300006306	• BEARING	2				
6	1432500450	• SEAL, floating	2				
7	1222015080	• RING, seeger	1				
8	1220000030	• RING, snap	2				
9	1420100250	• O-RING	2				
10	1420100700	• O-RING	1				
11	1501810001	• PLUG	1				
13	1101051440	BOLT	12				
	1101051450	BOLT	12				steel
14	1141540014	WASHER	12				
15	0371300100	STOPPER	12				steel
	E5a032						

Thanks for your reading.

Please click here to download complete manual instantly.

And can also choose other manuals.

Feel free --->write to me with any questions.

Our service email:

manuals007@hotmail.com