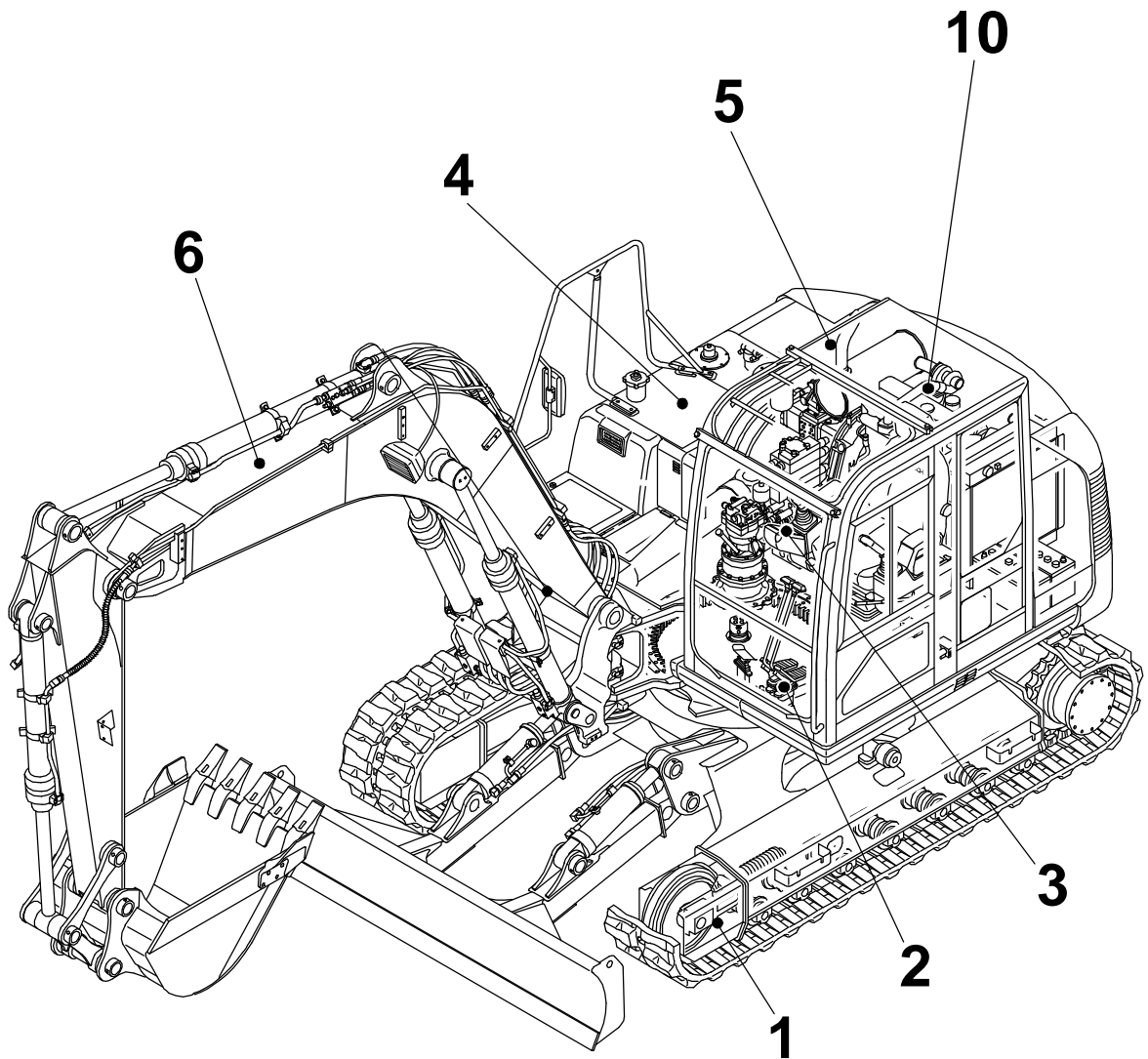


TB1140

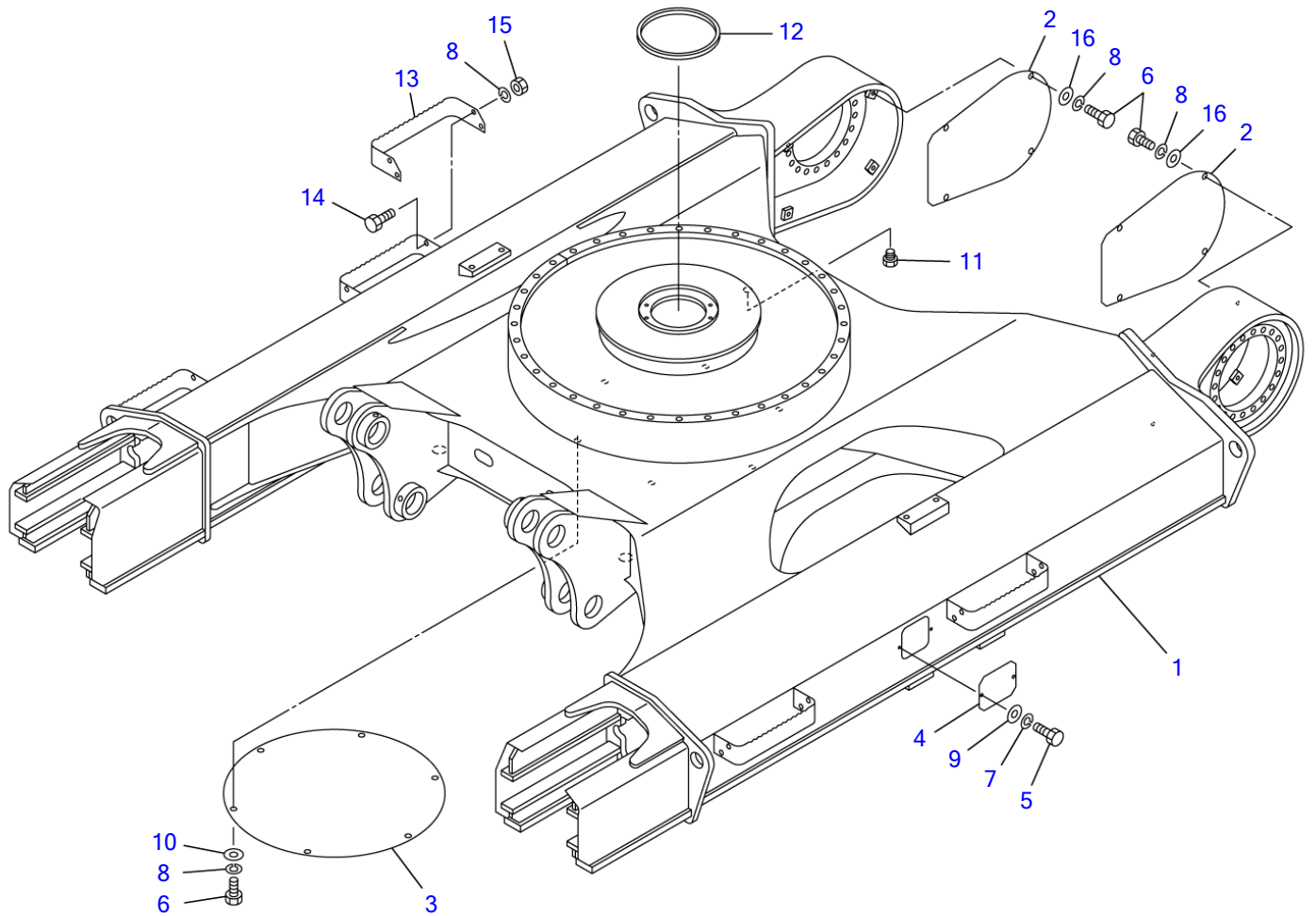
Book No. BN1Z003
Serial No. 51410002-



TAKEUCHI

					INDEX						
Item	Part number	Description	Q'ty	Chan.	Serial No.	Serv.	Remarks				
1		UNDERCARRIAGE									
2		TURNTABLE & CONTROL LEVER									
3		ENGINE & ELECTRICAL SYSTEM									
4		HYDRAULIC PIPNG & TANK									
5		COVER & CAB									
6		HOE ATTACHMENT									
7		DECAL & TOOL									
8		HYDRAULIC DEVICE									
10		ENGINE(ISUZU BB-4BG1-TRE)									
		2008.05.16									
99		KITS, ATTACHMENTS AND QUICK REFERENCE									

TB1140 Book No. BN1Z002 S/N 51410002-
LOWER FRAME

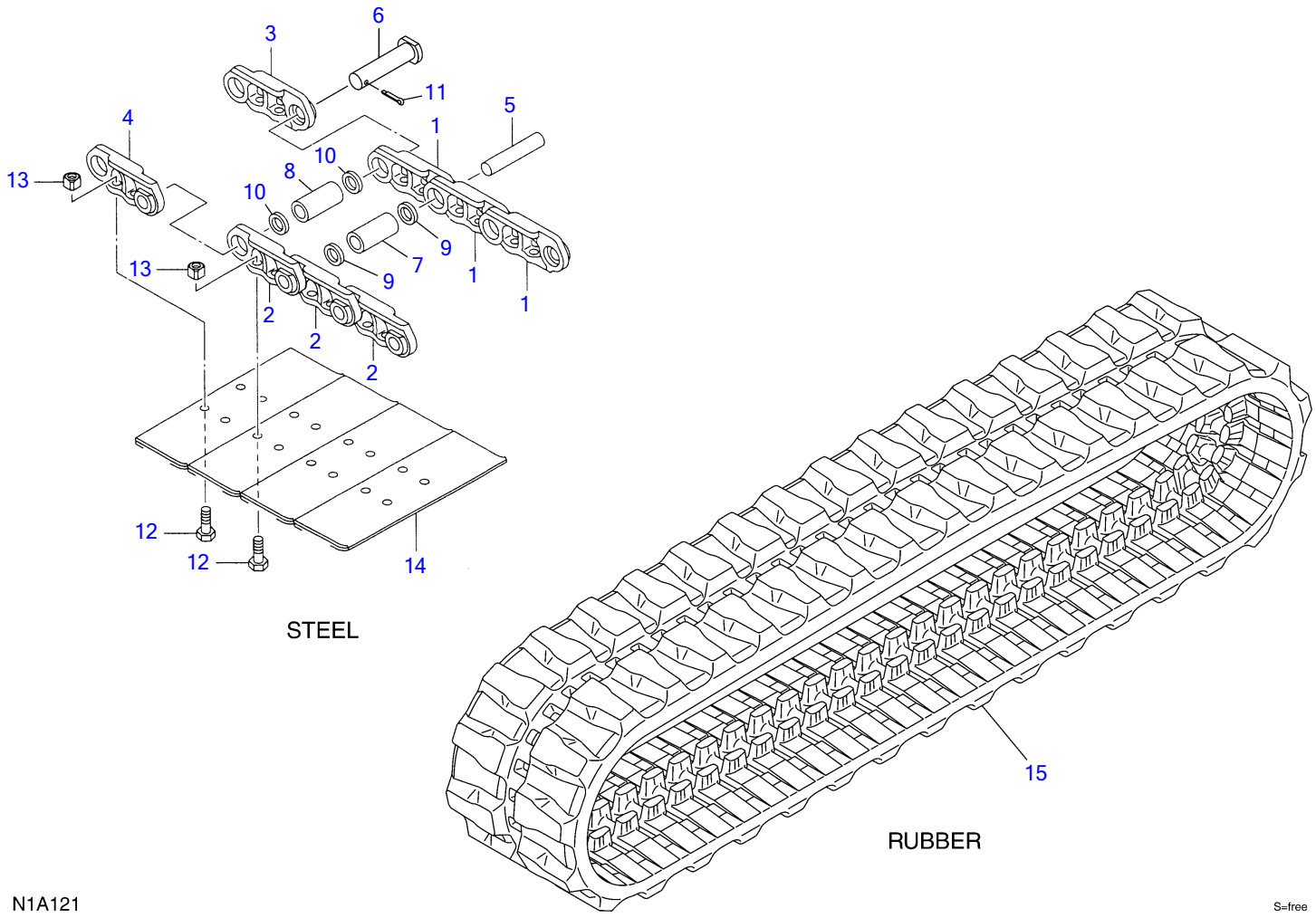


S=1/20

LOWER FRAME

Item	Part number	Description	Q'ty	Chan.	Serial No.	Serv.	Remarks
		FRAME ASSY, lower (500 wide)					X05710-01000-5
		FRAME ASSY, lower (600 wide)					X05710-01500-5
		FRAME ASSY, lower (700 wide)					X05710-01600-5
1	X *****	FRAME, lower	1				
2	0571001010	COVER	2				
3	0571000110	COVER	1				
4	0561017400	COVER	2				
5	1100040816	BOLT	4				
6	1100041225	BOLT	8				
7	1140020008	WASHER, spring	4				
8	1140020012	WASHER, spring	30				
9	1141110008	WASHER	4				
10	0003600024	WASHER	6				
11	1501710010	PLUG	1				
12	1654625070	TRIM	1				sold by the meter
13	0571001510	STEP	4				600 wide
	0571001610	STEP	4				700 wide
14	1100041235	BOLT	22				
15	1130040012	NUT	16				
16	1141110012	WASHER	8				
	N1a012						

TB1140 Book No. BN1Z002 S/N 51410002-
CRAWLER BELT



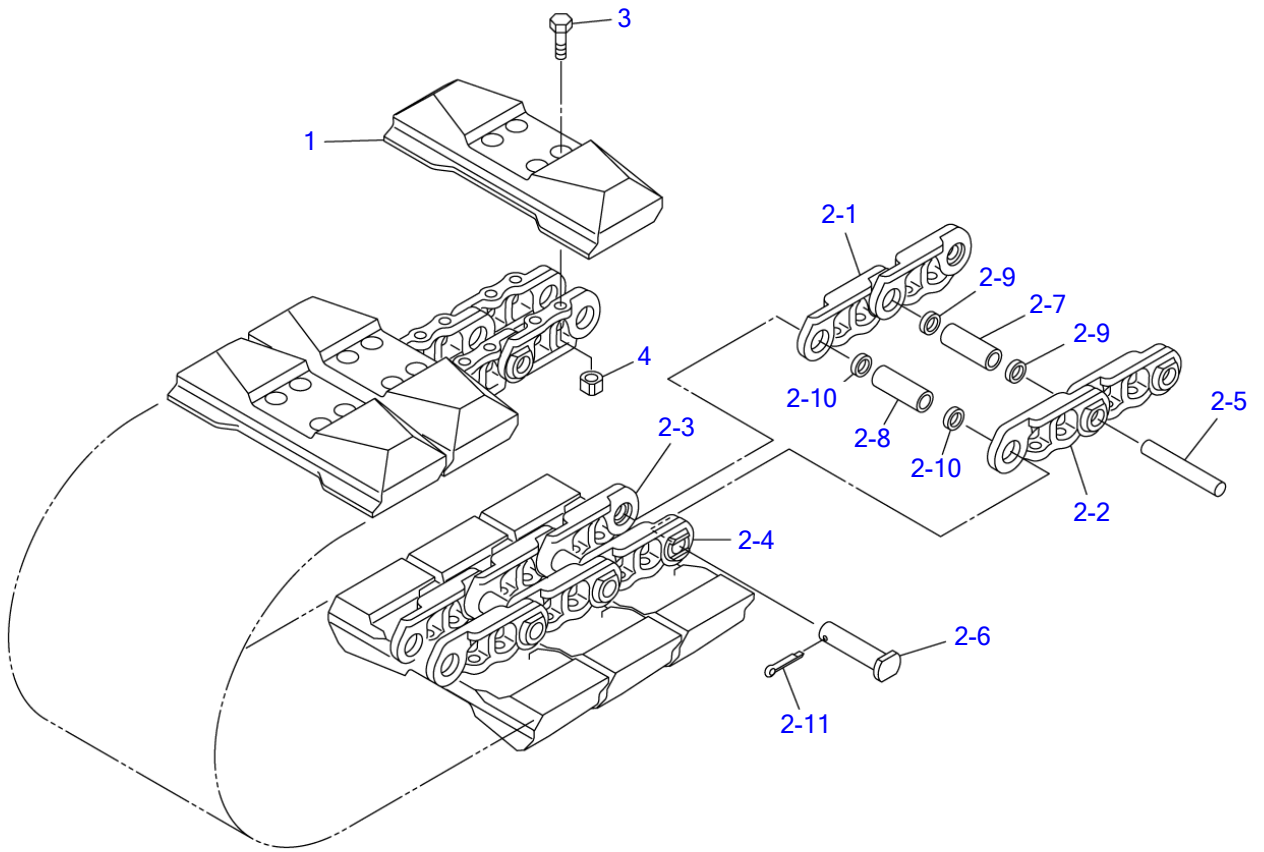
N1A121

S=free

CRAWLER BELT

Item	Part number	Description	Q'ty	Chan.	Serial No.	Serv.	Remarks
0	1914303000	BELT, steel crawler (500mm shoe)	2				X19143-03000-1
	1914303100	BELT, steel crawler (600mm shoe)	2				X19143-03100-1
	1914303200	BELT, steel crawler (700mm shoe)	2				X19143-03200-1
1	1914303001	• LINK, track (R.H.)	43				
2	1914303002	• LINK, track (L.H.)	43				
3	1914303003	• LINK, master (R.H.)	1				
4	1914303004	• LINK, master (L.H.)	1				
5	1914303005	• PIN, track	43				
6	1914303006	• PIN, track master	1				
7	1914303007	• BUSH, track	43				
8	1914303008	• BUSH, track master	1				
9	1914303009	• SEAL, dust	86				
10	1914303010	• SPACER	2				
11	1914303011	• PIN, coter	1				
12	1914303012	• BOLT	176				
13	1914303013	• NUT	176				
14	1914303014	• PLATE	44				500mm shoe
	1914303114	• PLATE	44				600mm shoe
	1914303214	• PLATE	44				700mm shoe
15	1914301200	BELT, rubber crawler	2	(L)	51410002~5141#		
	1914301520	BELT, rubber crawler	2	(H)	5141#~	M	No. 24032
	N1a122						

TB1140 Book No. BN1Z002 S/N 51410002-
CRAWLER BELT (with rubber pads)



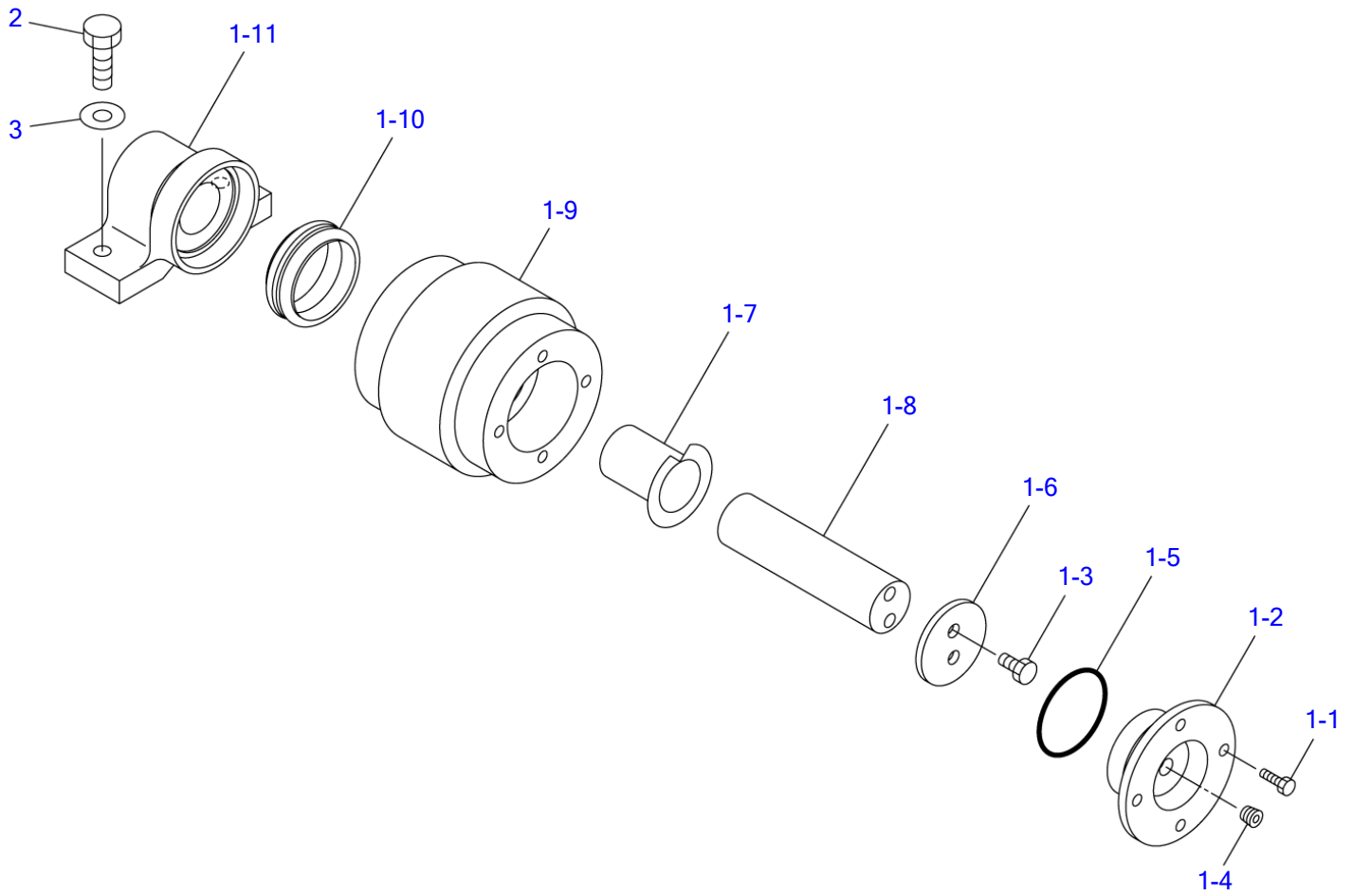
N1A021

S=1/12

CRAWLER BELT (with rubber pads)

Item	Part number	Description	Q'ty	Chan.	Serial No.	Serv.	Remarks
0	0571100000	BELT, segment rubber crawler	2				X05711-00000-0
1	1914401000	▪ PAD, rubber	44				
2	1914303020	▪ LINK ASSY	1				
2-1	1914303001	▪ ▪ LINK, track (R.H.)	43				
2-2	1914303002	▪ ▪ LINK, track (L.H.)	43				
2-3	1914303003	▪ ▪ LINK, master (R.H.)	1				
2-4	1914303004	▪ ▪ LINK, master (L.H.)	1				
2-5	1914303005	▪ ▪ PIN, track	43				
2-6	1914303006	▪ ▪ PIN, track master	1				
2-7	1914303007	▪ ▪ BUSH, track	43				
2-8	1914303008	▪ ▪ BUSH, track master	1				
2-9	1914303009	▪ ▪ SEAL, dust	86				
2-10	1914303010	▪ ▪ SPACER	2				
2-11	1914303011	▪ ▪ PIN, coter	1				
3	1914303012	▪ BOLT	176				
4	1914303013	▪ NUT	176				
	N1a021						

TB1140 Book No. BN1Z002 S/N 51410002-
CARRIER ROLLER



N1A030

S=1/5

Thanks for your reading.

Please click here to download complete manual instantly.

And can also choose other manuals.

Feel free --->write to me with any questions.

Our service email:

manuals007@hotmail.com