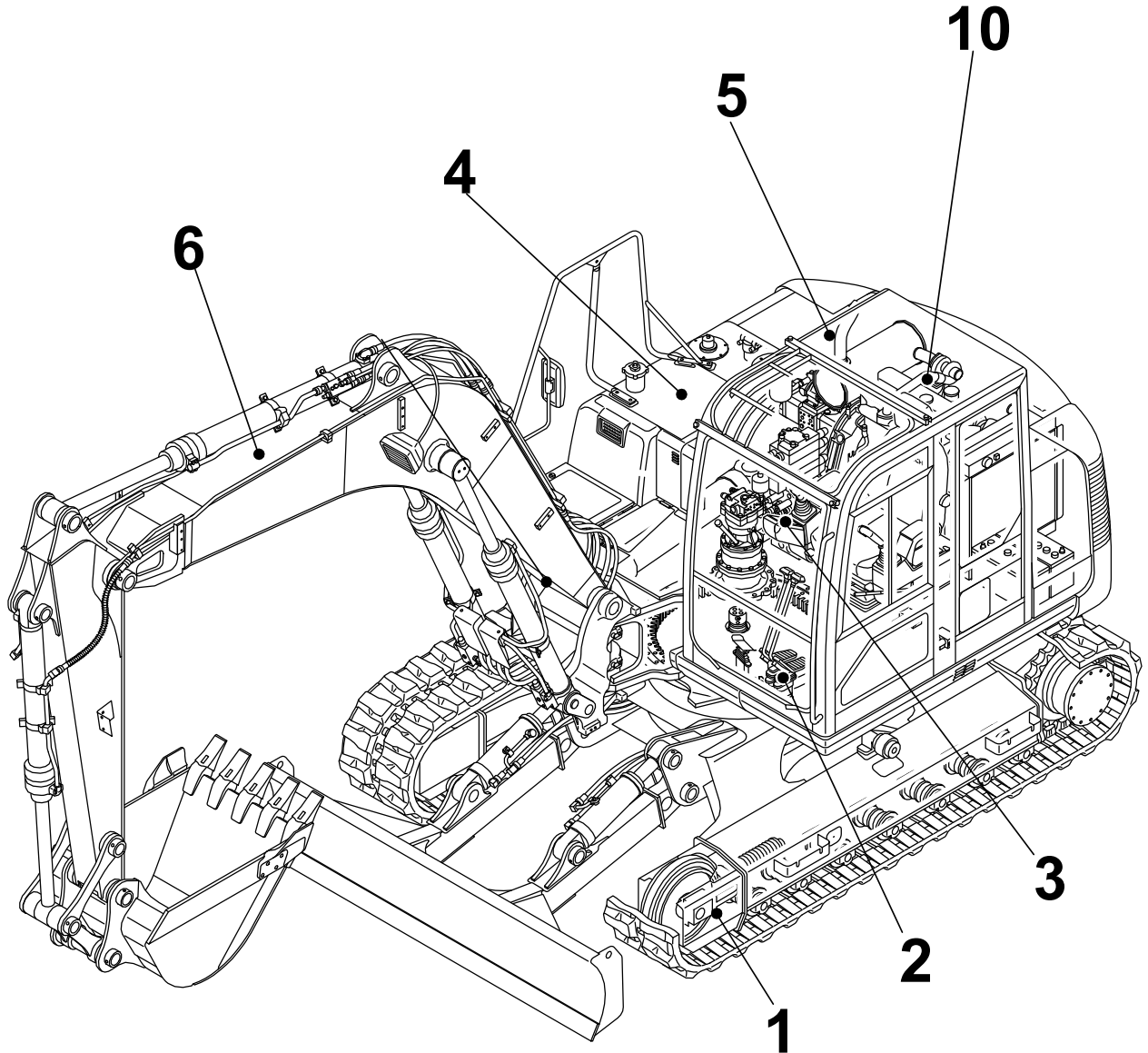


TB1140

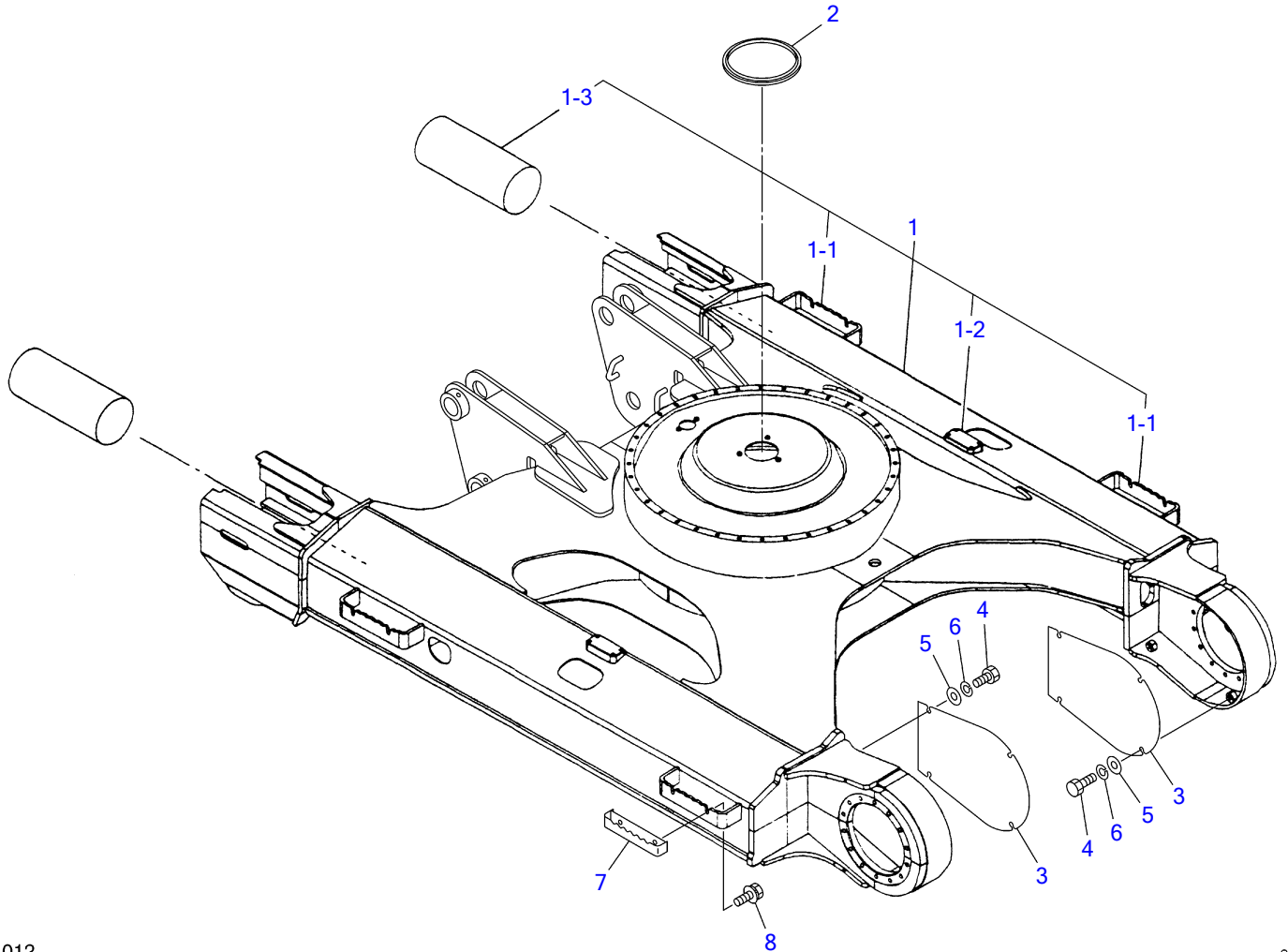
Book No. BN0Z008
Serial No. 51400005-



TAKEUCHI

| Item | Part number | Description | INDEX | | | | Remarks |
|------|-------------|--|-------|-------|------------|-------|---------|
| | | | Q'ty | Chan. | Serial No. | Serv. | |
| 1 | | UNDERCARRIAGE | | | | | |
| 2 | | TURNTABLE & CONTROL LEVER | | | | | |
| 3 | | ENGINE & ELECTRICAL SYSTEM | | | | | |
| 4 | | HYDRAULIC PIPNG & TANK | | | | | |
| 5 | | COVER & CAB | | | | | |
| 6 | | HOE ATTACHMENT | | | | | |
| 7 | | DECAL & TOOL | | | | | |
| 8 | | HYDRAULIC DEVICE | | | | | |
| 10 | | ENGINE(ISUZU BB-4BG1-TRE) 2007.5.24 | | | | | |

TB1140 Book No. BN0Z008 S/N 51400005-
LOWER FRAME

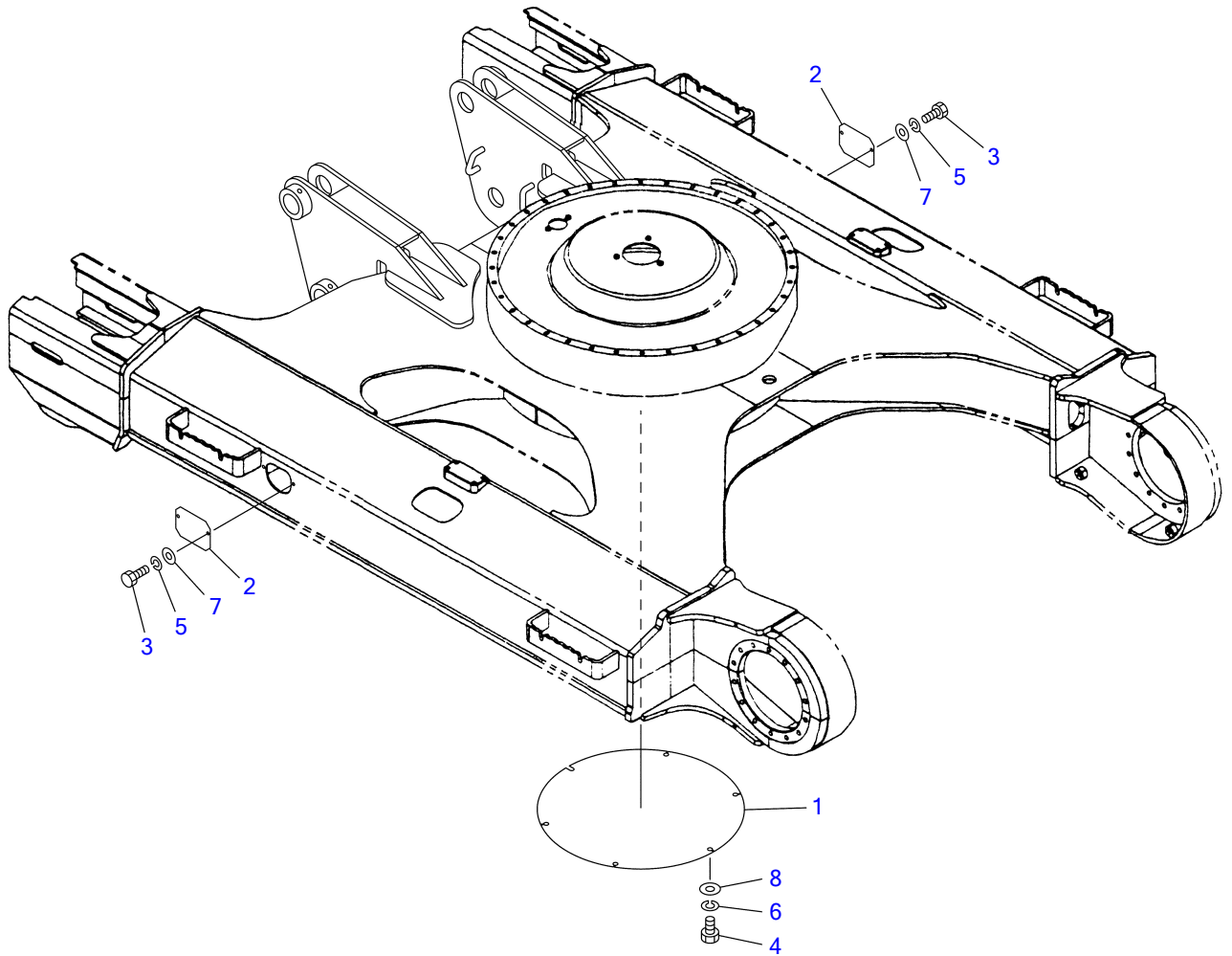


N0A012

S-free

LOWER FRAME

| Item | Part number | Description | Q'ty | Chan. | Serial No. | Serv. | Remarks |
|------|-------------|-------------------|------|-------|------------|-------|------------------------|
| | | FRAME ASSY, lower | | | | | |
| 1 | X ***** | FRAME | 1 | | | | rubber |
| | X ***** | FRAME | 1 | | | | steel |
| 1-1 | HIT4447431 | • STEP | 4 | | | | W |
| 1-2 | HIT3087511 | • BRACKET | 2 | | | | W |
| 1-3 | HIT4284441 | • PIPE | 2 | | | | W |
| 2 | HIT4483676 | SEAL | 1 | | | | |
| 3 | HIT4418698 | COVER | 2 | | | | |
| 4 | HITJ901440 | BOLT | 8 | | | | |
| 5 | HITJ222014 | WASHER | 8 | | | | |
| 6 | HITA590914 | WASHER, spring | 8 | | | | |
| 7 | HIT9755978 | STEP | 4 | | | | for 700W steel crawler |
| 8 | HITJ031240 | BOLT | 8 | | | | for 700W steel crawler |
| | N0a012 | | | | | | |



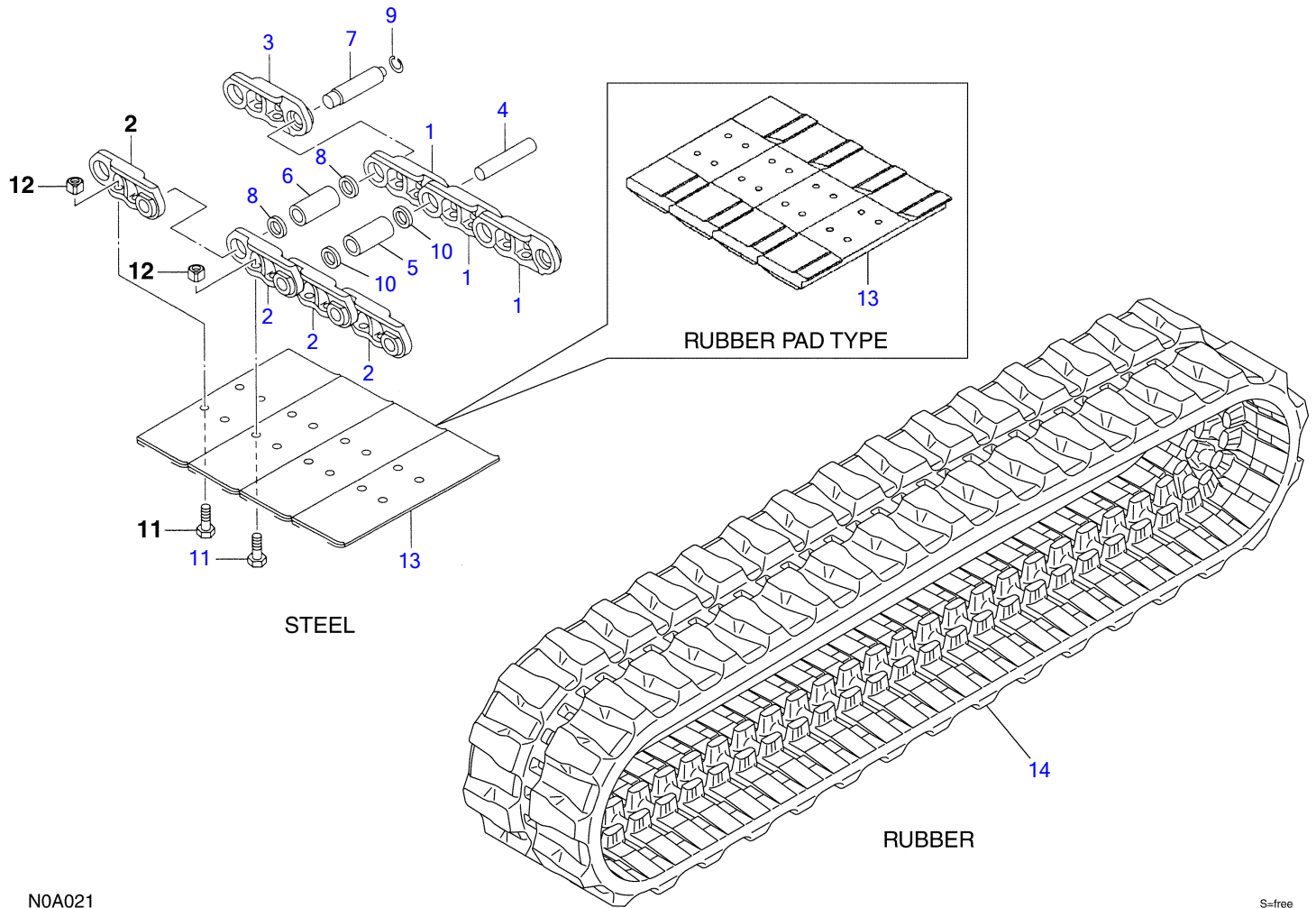
N0A150

S=free

LOWER COVER

| Item | Part number | Description | Q'ty | Chan. | Serial No. | Serv. | Remarks |
|------|-------------------|-------------------|------|-------|------------|-------|----------------|
| | | COVER ASSY, lower | | | | | X05710-00100-1 |
| 1 | 0571000110 | COVER | 1 | | | | |
| 2 | 0571000120 | COVER | 2 | | | | |
| 3 | 1100040820 | BOLT | 4 | | | | |
| 4 | 1100041225 | BOLT | 6 | | | | |
| 5 | 1140020008 | WASHER, spring | 4 | | | | |
| 6 | 1140020012 | WASHER, spring | 6 | | | | |
| 7 | 1141110008 | WASHER | 4 | | | | |
| 8 | 0003600024 | WASHER | 6 | | | | |
| | N0a151 | | | | | | |

TB1140 Book No. BN0Z008 S/N 51400005-
CRAWLER BELT

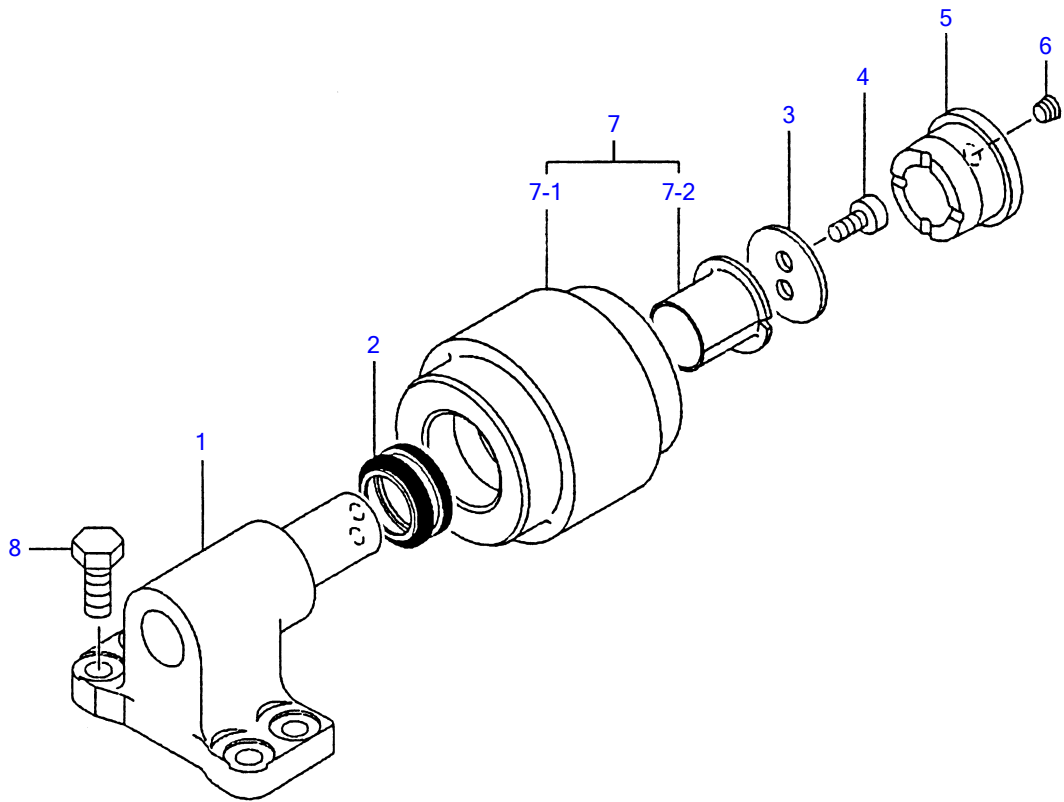


N0A021

S=free

CRAWLER BELT

| Item | Part number | Description | Q'ty | Chan. | Serial No. | Serv. | Remarks |
|------|-------------------|------------------------------------|------|-------|------------|-------|----------|
| 0 | HIT9138746 | BELT, steel crawler (500W) | 2 | | | | 500 wide |
| | HIT9144339 | BELT, steel crawler (600W) | 2 | | | | 600 wide |
| | HIT9144341 | BELT, steel crawler (700W) | 2 | | | | 700 wide |
| | HIT9189820 | BELT, steel rubber pad type (500W) | 2 | | | | 500 wide |
| 0-1 | HIT9178845 | • LINK ASSY, track | 1 | | | | |
| 1 | HIT1026945 | • • LINK, track: B | 43 | | | | |
| 2 | HIT1026946 | • • LINK, track: B | 44 | | | | |
| 3 | HIT4416241 | • • LINK, master track | 1 | | | | |
| 4 | HIT4416242 | • • PIN | 43 | | | | |
| 5 | HIT4344785 | • • BUSHING | 43 | | | | |
| 6 | HIT4345599 | • • BUSHING, master | 1 | | | | |
| 7 | HIT4416243 | • • PIN, track link master | 1 | | | | |
| 8 | HIT4416244 | • • COLLAR | 2 | | | | |
| 9 | HIT4192665 | • • RING | 1 | | | | |
| 10 | HIT4413807 | • • SEAL | 86 | | | | |
| 11 | HIT4345328 | • BOLT | 176 | | | | |
| 12 | HIT4253411 | • NUT | 176 | | | | |
| 13 | HIT2037093 | • SHOE (500W) | 44 | | | | 500 wide |
| | HIT2024529 | • SHOE (600W) | 44 | | | | 600 wide |
| | HIT2024425 | • SHOE (700W) | 44 | | | | 700 wide |
| | 1914401000 | • SHOE, rubber pad (500W) | 44 | | | | 500 wide |
| 14 | HIT4358614 | BELT, rubber crawler | 2 | | | | |
| | N0a023 | | | | | | |



N0A030

S=free

Thanks for your reading.

Please click here to download complete manual instantly.

And can also choose other manuals.

Feel free --->write to me with any questions.

Our service email:

manuals007@hotmail.com