

SECTION 1 GENERAL

Group 1 Safety Hints	1-1
Group 2 Specifications	1-10
Group 3 Operational Checkout Record Sheet	1-21

SECTION 2 ENGINE

Group 1 Structure and Function	2-1
Group 2 Engine speed and Stall rpm	2-6

SECTION 3 POWER TRAIN SYSTEM

Group 1 Structure and Function	3-1
Group 2 Operational Checks and Troubleshooting	3-46
Group 3 Test and Adjustments	3-57
Group 4 Disassembly and Assembly	3-60

SECTION 4 BRAKE SYSTEM

Group 1 Structure and Function	4-1
Group 2 Operational Checks and Troubleshooting	4-31
Group 3 Tests and Adjustments	4-38
Group 4 Disassembly and assembly	4-40

SECTION 5 STEERING SYSTEM

Group 1 Structure and Function	5-1
Group 2 Operational Checks and Troubleshooting	5-15
Group 3 Tests and Adjustments	5-23
Group 4 Disassembly and Assembly	5-30

SECTION 6 WORK EQUIPMENT

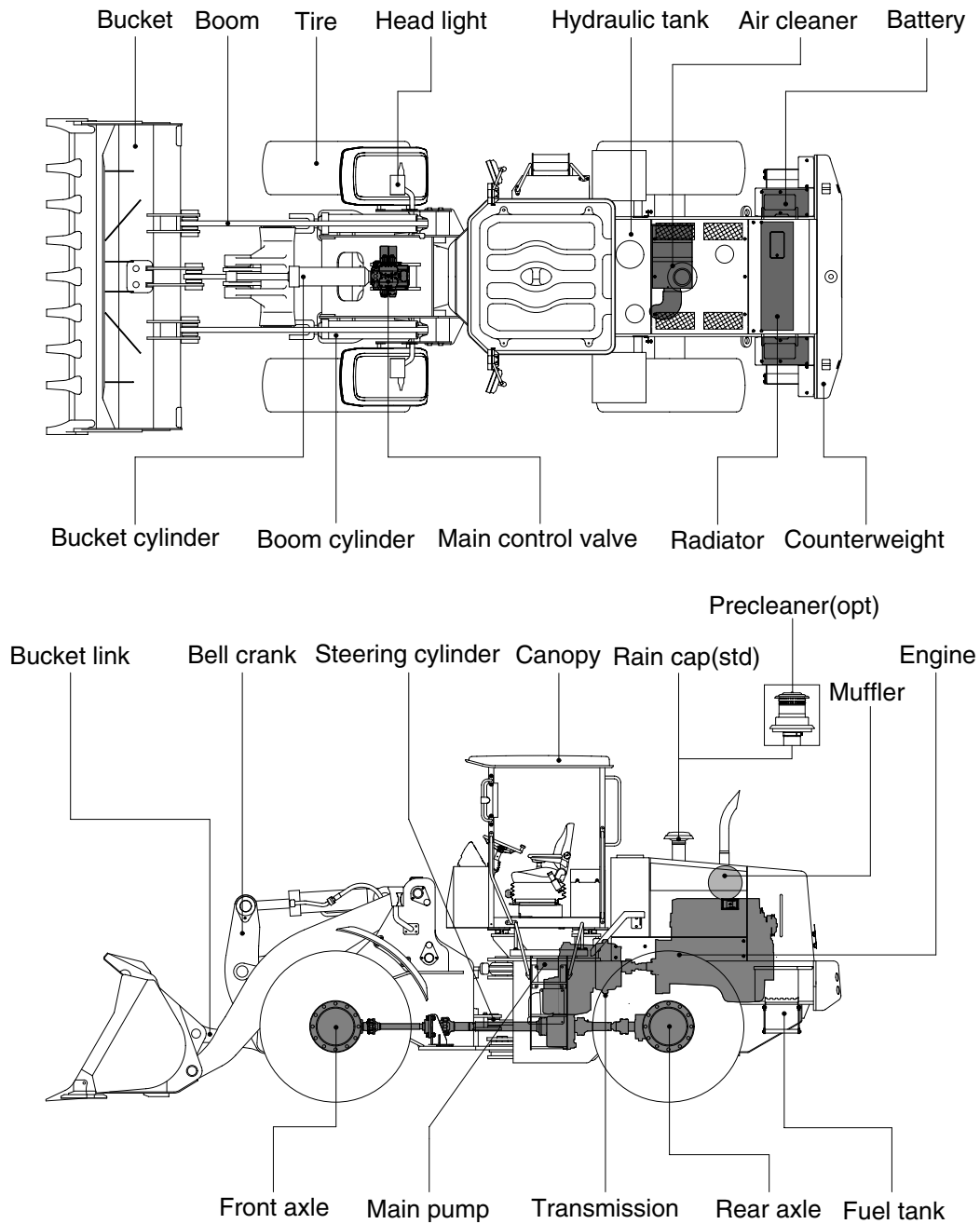
Group 1 Structure and Function	6-1
Group 2 Operational Checks and Troubleshooting	6-33
Group 3 Tests and Adjustments	6-44
Group 4 Disassembly and Assembly	6-58

SECTION 7 ELECTRICAL SYSTEM

Group 1 Component Location	7-1
Group 2 Electrical Circuit	7-3
Group 3 Monitoring System	7-25
Group 4 Electrical Component Specification	7-39
Group 5 Connectors	7-46
Group 6 Troubleshooting	7-66

GROUP 2 SPECIFICATION

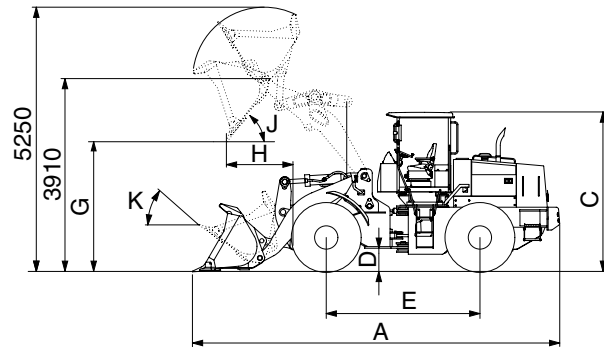
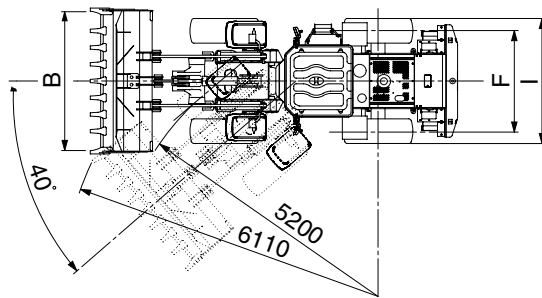
1. MAJOR COMPONENT



7577S2SE01

2. SPECIFICATIONS

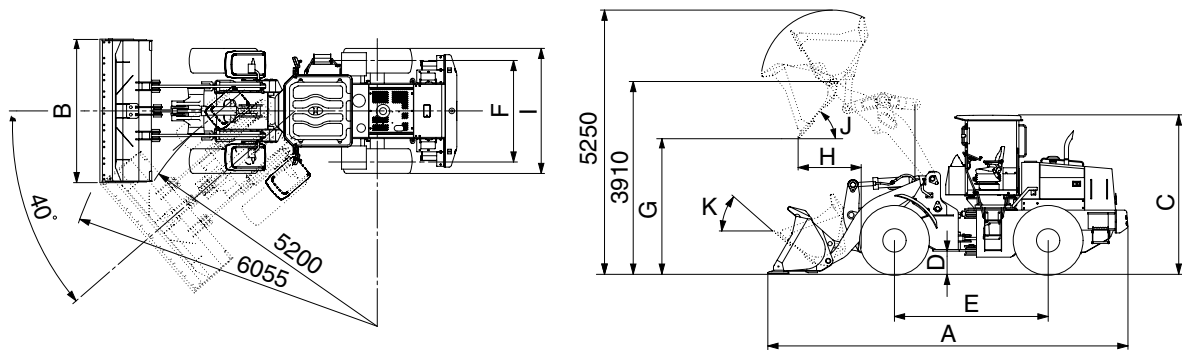
1) WITH TOOTH TYPE BUCKET



7577B2SE02

Description		Unit	Specification	
Operating weight (canopy/cabin)		kg (lb)	13000/13180 (28600/29100)	
Bucket capacity	Struck	m ³ (yd ³)	2.2 (2.9)	
	Heaped		2.6 (3.4)	
Overall length	A	mm (ft-in)	7450 (24' 5")	
Overall width	B		2740 (8' 0")	
Overall height	C		3385 (11' 1")	
Ground clearance	D		425 (1' 5")	
Wheelbase	E		3030 (9' 11")	
Tread	F		2050 (6' 9")	
Dump clearance at 45°	G		2775 (9' 1")	
Dump reach (full lift)	H		1140 (3' 9")	
Width over tires	I		2580 (8' 6")	
Dump angle	J		Degree (°)	47
Roll back angle (carry position)	K			41
Cycle time	Lift(With load)	sec	6.1	
	Dump(With load)		1.2	
	Lower(Empty)		3.0	
Maximum travel speed		km/hr (mph)	36.8	
Braking distance		m (ft-in)	11 (36' 1")	
Minimum turning radius (center of outside tire)			5.20 (17' 1")	
Gradeability		Degree (°)	30	
Travel speed	Forward	First gear	6.6 (4.1)	
		Second gear	12.1 (7.5)	
		Third gear	22.8 (14.2)	
		Fourth gear	36.8 (22.9)	
	Reverse	First gear	7.0 (4.3)	
		Second gear	12.7 (7.9)	
Third gear		23.9 (14.9)		

2) WITH BOLT-ON CUTTING EDGE TYPE BUCKET



7577B2SE03

Description		Unit	Specification	
Operating weight (canopy/cabin)		kg (lb)	13000/13500 (28600/29800)	
Bucket capacity	Struck	m ³ (yd ³)	2.3 (3.0)	
	Heaped		2.7 (3.5)	
Overall length	A	mm (ft-in)	7450 (24' 5")	
Overall width	B		2740 (9')	
Overall height	C		3385 (11' 1")	
Ground clearance	D		425 (1' 5")	
Wheelbase	E		3030 (9' 11")	
Tread	F		2050 (6' 9")	
Dump clearance at 45°	G		2875 (9' 5")	
Dump reach (full lift)	H		1040 (3' 5")	
Width over tires	I		2580 (8' 6")	
Dump angle	J		Degree (°)	47
Roll back angle (carry position)	K			41
Cycle time	Lift(With load)	sec	6.1	
	Dump(With load)		1.2	
	Lower(Empty)		3.0	
Maximum travel speed		km/hr (mph)	36.8 (22.9)	
Braking distance		m (ft-in)	11 (36' 1")	
Minimum turning radius (center of outside tire)			5.20 (17' 1")	
Gradeability		Degree (°)	30	
Travel speed	Forward	First gear	6.6 (4.1)	
		Second gear	12.1 (7.5)	
		Third gear	22.8 (14.2)	
		Fourth gear	36.8 (22.9)	
	Reverse	First gear	7.0 (4.3)	
		Second gear	12.7 (7.9)	
Third gear		23.9 (14.9)		

3. WEIGHT

Item	kg	lb
Front frame assembly	1150	2450
Rear frame assembly	1540	3400
Front fender (LH & RH)	22	49
Counterweight	550	1210
Canopy assembly	460	1010
Cab assembly	638	1410
Engine assembly	453	1000
Transmission assembly	447	985
Drive shaft (upper)	7	15
Drive shaft (front)	26	57
Drive shaft (center)	23	50
Drive shaft (rear)	12	26
Front axle (include differential)	750	1650
Rear axle (include differential)	760	1680
Tire (20.5-25, 16PR, L3)	200	440
Hydraulic tank assembly	205	450
Fuel tank assembly	210	460
Main pump assembly	29	64
Brake pump assembly	7	15
Main control valve	55	121
Steering valve (EHPS)	15	33
Boom assembly	980	2160
Bell crank assembly	205	450
Bucket link	48	110
2.7 m ³ bucket, with bolt on cutting edge	1080	2380
2.6 m ³ bucket, with tooth	1000	2200
Boom cylinder assembly	110	240
Bucket cylinder assembly	122	270
Steering cylinder assembly	28	62
Seat	40	88
Battery	22	49

4. SPECIFICATION FOR MAJOR COMPONENTS

1) ENGINE

Item	Specification
Model	Cummins 6BTA5.9
Type	4-cycle turbocharged, aftercooled diesel engine
Control type	Mechanical control
Cooling method	Water cooling
Number of cylinders and arrangement	6 cylinders, in-line
Firing order	1-5-3-6-2-4
Combustion chamber type	Direct injection type
Cylinder bore × stroke	102 × 120 mm (4.02" × 4.72")
Piston displacement	5900 cc (360 cu in)
Compression ratio	17.3 : 1
Rated gross horse power	167 ps at 2200 rpm
Maximum gross torque at 1500 rpm	71 kgf · m (512 lbf · ft)
Engine oil quantity	16.3 ℓ (4.3 U.S. gal)
Wet weight	453 kg (999 lb)
High idling speed	2400 ± 50 rpm
Low idling speed	950 ± 50 rpm
Rated fuel consumption	164 g/ps · hr
Starting motor	Denso (24V-4.5 kW)
Alternator	Delco Remy (24V-70 Amp)
Battery	2 × 12V × 120Ah

2) MAIN PUMP

Item	Specification	
	Steering	Loader
Type	Fixed displacement tandem gear pump	
Capacity	57 cc/rev	48 cc/rev
Maximum operating pressure	210 kgf/cm ² (2990 psi)	
Rated oil quantity	125 l /min (33.0 U.S.gpm)	106 l /min (28.0 U.S.gpm)
Rated speed	2200 rpm	

3) BRAKE PUMP

Item	Specification
Type	Fixed displacement gear pump
Capacity	12 cc/rev
Maximum operating pressure	180 kgf/cm ² (2560 psi)
Rated oil quantity	26 l /min (6.9 U.S.gpm)
Rated speed	2200 rpm

4) MAIN CONTROL VALVE

Item	Specification
Type	2 spool
Operating method	Hydraulic pilot assist
Main relief valve pressure	210 kgf/cm ² (2990 psi)
Overload relief valve pressure	240 kgf/cm ² (3410 psi)

5) REMOTE CONTROL VALVE

Item	Specification	
Type	Pressure reducing type	
Operating	Minimum	4.0 kgf/cm ² (56.9 psi)
	Maximum	19 kgf/cm ² (270 psi)
Single operation stroke	Lever	70 mm (2.8 in)

6) CYLINDER

Item		Specification
Boom cylinder	Bore dia × Rod dia × Stroke	∅ 140 × ∅ 75 × 750 mm
Bucket cylinder	Bore dia × Rod dia × Stroke	∅ 160 × ∅ 80 × 475 mm
Steering cylinder	Bore dia × Rod dia × Stroke	∅ 70 × ∅ 45 × 436 mm

7) DYNAMIC POWER TRANSMISSION DEVICES

Item		Specification	
Transmission	Model	ZF 4WG160	
	Type	Converter	Single-stage, single-phase
		Transmission	Full-automatic power shift
	Torque converter stall ratio	2.549 : 1	
	Gear shift	Forward fourth gear, reverse third gear	
	Adjustment	Electrical single lever type, kick-down system	
	Pump rated flow	85 ℓ /min (22.5 U.S.gpm) at 2000 rpm	
Axle	Drive devices	4-wheel drive	
	Front	Front fixed location	
	Rear	Oscillation ± 12° of center pin-loaded	
Wheels	Tires	20.5-25 16PR, L3	
Brakes	Travel	Four-wheel, wet-disc type, full hydraulic	
	Parking	Spring applied, hydraulic released brake on transmission	
Steering	Type	Full hydraulic, articulated	
	Steering angle	40° to both right and left angle, respectively	

Thanks for your reading.

Please click here to download complete manual instantly.

And can also choose other manuals.

Feel free --->write to me with any questions.

Our service email:

manuals007@hotmail.com