

GEHL®

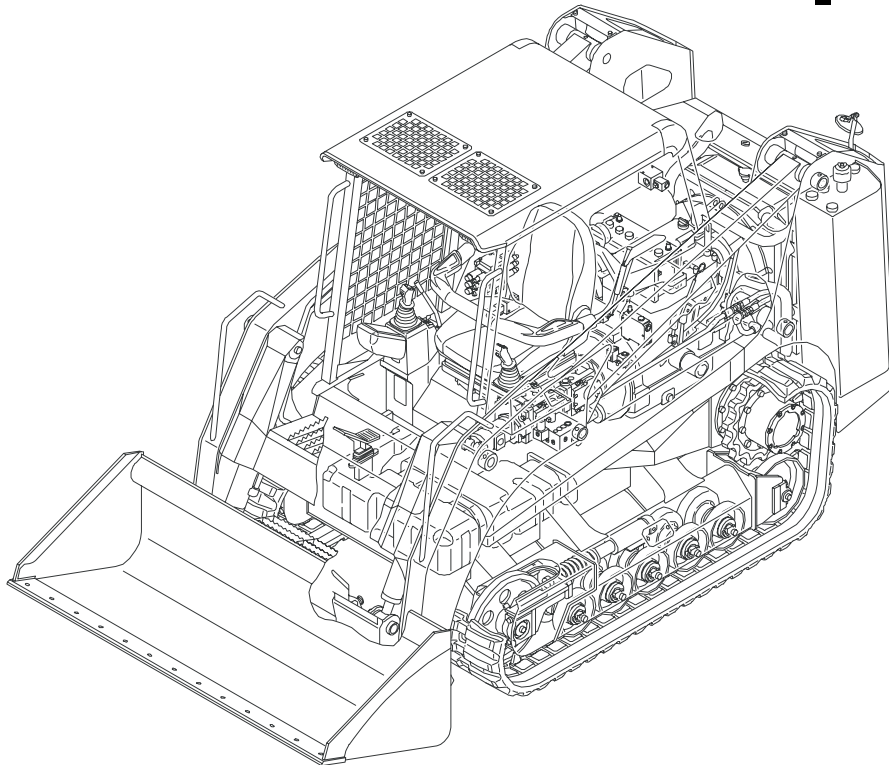
Form No.
917316

Revision C
11/09

CTL 55

Compact

Track Loader



PARTS MANUAL

Introduction

For your safety and continued proper operation, use only genuine GEHL® service parts. When ordering service parts, specify the correct part number, full description, quantity required, the unit model number and serial number.

The model and serial number decal for this unit is located on the right rear riser. “Right” and “Left” are determined from a position sitting on the seat and facing forward.

GEHL Company reserves the right to make changes or improvements in the design or construction of any part of the unit without incurring the obligation to install such changes on any previously delivered units.

Refer to the abbreviations table located on this page for the various fastener descriptions. Standard attaching hardware torque values are also provided on the inside back cover.

Items shown in the parts list that do not have part numbers are shown for reference purposes only and are NOT available for purchase.

NOTE: The following abbreviations and symbols may be used herein:

| | | |
|---------|-------|-------------------------------------|
| A | | Ampere |
| AR | | As Required |
| ASSY | | Assembly |
| AUX | | Auxiliary |
| CCA | | Cold Cranking Amperage |
| CYL | | Cylinder |
| DH | | Dual Hand |
| DJS | | Dual Joystick |
| FL | | Flare |
| FOPS | | Falling Object Protective Structure |
| GA | | Gauge |
| HEX | | Hexagon |
| H/F | | Hand/Foot |
| HF | | High Flow |
| HYD | | Hydraulic |
| JIC | | Joint Industrial Council |
| kW | | Kilowatt |
| LBS | | Pounds |
| M | | Meter |
| MM (mm) | | Millimeter |
| NA | | Naturally Aspirated |
| N/A | | Not Applicable |
| NEG | | Negative |
| N•m | | Newton meter |
| NO | | Number |
| NPT | | National Pipe Thread |
| PN | | Part Number |
| POS | | Positive |
| PSI | | Pounds per Square Inch |
| QTY | | Quantity |
| REF | | Reference |
| REQ'D | | Required |
| ROPS | | Roll Over Protective Structure |
| RPM | | Revolutions Per Minute |
| SAE | | Society of Automotive Engineers |
| SN | | Serial Number |
| SQ | | Square |
| ST | | Straight |
| TB | | T-Bar |
| TB/JS | | T-Bar/Joystick |
| TURBO | | Turbocharger |
| V | | Volt |

TABLE OF CONTENTS

| DESCRIPTION | PAGE |
|-------------|------|
|-------------|------|

SECTION A: MAIN LOADER COMPONENT

| | |
|---|----|
| Track Roller A and B | 1 |
| Front Idler | 3 |
| Track Adjuster | 4 |
| Travel Device | 5 |
| Crawler Belt | 6 |
| Mainframe | 7 |
| Lift Arm Stop (with Hook Assembly) | 8 |
| Operation Lever and Stand | 10 |
| Piping; Operation Lever | 11 |
| Engine and Accessories | 12 |
| Drain Plug | 18 |
| Control Box - Right and Left | 19 |
| Engine Control | 21 |
| Electrical | 22 |
| Electrical - Cab | 31 |
| Electrical - Multi-Functional Grip | 35 |
| Battery | 36 |
| Rear Lamp | 37 |
| Maintenance Light Socket | 38 |
| Control Valve and Accessories | 39 |
| Piping; Hydraulic Tank and Drive Motors | 42 |
| Pump Drive | 44 |
| Hydraulic Tank | 45 |
| Fuel Tank and Fuel Piping | 47 |
| Covers - Rear Grille and Engine | 50 |
| Floor Frame | 54 |
| Seat and Seat Components | 56 |
| Restraint Bar | 57 |
| ROPS - Cab Mount, Canopy, Lights and Harness, and Cab Mount | 58 |
| ROPS - Cab | 62 |
| Mirrors - Rear and Rearview, plus Manual Box | 68 |
| Window Washer | 69 |
| Air Conditioning | 70 |
| Lift Arm | 79 |
| Attachment System | 81 |
| Piping; Lift Arm | 82 |
| Auxiliary Hydraulics | 84 |
| Foot Throttle | 85 |
| Decals | 88 |

(continued on next page)

TABLE OF CONTENTS

| DESCRIPTION | PAGE |
|-------------|------|
|-------------|------|

SECTION B: HYDRAULIC COMPONENTS

| | |
|--|-----|
| Control Valve..... | 97 |
| Pilot Valve (R.H.) (Multi-Functional Grip)..... | 98 |
| Pilot Valve (L.H.) (Multi-Functional Grip)..... | 99 |
| Handle (Multi-Functional Grip with Slide Switch)..... | 100 |
| Handle (Multi-Functional Grip with Five Switches)..... | 101 |
| Inlet Housing Assembly..... | 102 |
| Block Assemblies..... | 103 |
| Sub Valve..... | 105 |
| Self-Level Valve..... | 106 |
| Solenoid Valve; 1 Block..... | 107 |
| Electrical Proportional Valve..... | 108 |
| Lift Cylinder..... | 109 |
| Tilt Cylinder..... | 110 |
| Travel Motors..... | 111 |
| Hydraulic Pump..... | 114 |
| Gear Pump..... | 118 |

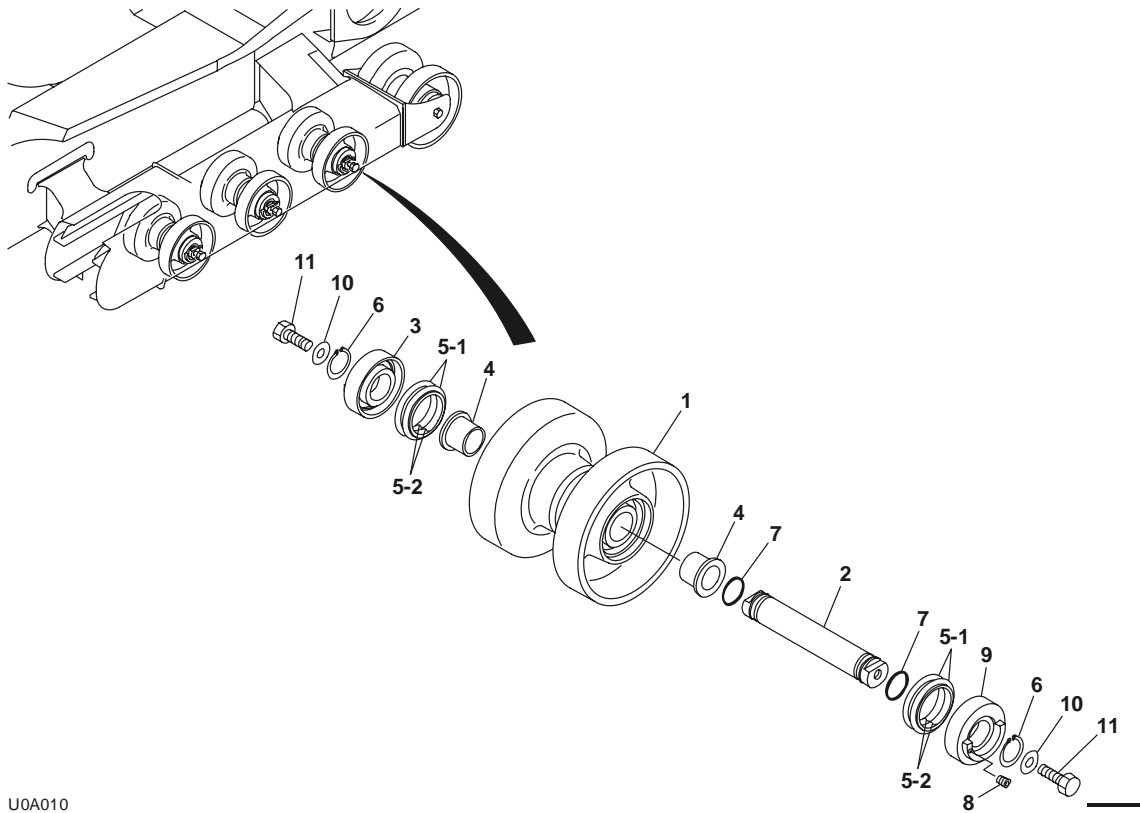
SECTION C: KITS AND ACCESSORIES

| | |
|--|-------------------|
| Filters and Analysis Kits..... | 120 |
| 810946 Universal Radio Kit..... | 121 |
| Auxiliary Couplers..... | 122 |
| 811343 Pre-Cleaner Kit..... | 123 |
| 805855 Block Heater Kit..... | 124 |
| 811428 14-Pin Connector Kit..... | 125 |
| Numerical Index..... | 126 |
| O-Ring Table, Coupling & Adapter Torque Table..... | 135 |
| Torque Specifications Table..... | Inside Back Cover |

SECTION A: MAIN LOADER COMPONENTS

| | |
|---|----|
| Track Roller A and B | 1 |
| Front Idler | 3 |
| Track Adjuster | 4 |
| Travel Device | 5 |
| Crawler Belt | 6 |
| Mainframe | 7 |
| Lift Arm Stop (with Hook Assembly) | 8 |
| Operation Lever and Stand | 10 |
| Piping; Operation Lever | 11 |
| Engine and Accessories | 12 |
| Drain Plug | 18 |
| Control Box - Right and Left | 19 |
| Engine Control | 21 |
| Electrical | 22 |
| Electrical - Cab | 31 |
| Electrical - Multi-Functional Grip | 35 |
| Battery | 36 |
| Rear Lamp | 37 |
| Maintenance Light Socket | 38 |
| Control Valve and Accessories | 39 |
| Piping; Hydraulic Tank and Drive Motors | 42 |
| Pump Drive | 44 |
| Hydraulic Tank | 45 |
| Fuel Tank and Fuel Piping | 47 |
| Covers - Rear Grille and Engine | 50 |
| Floor Frame | 54 |
| Seat and Seat Components | 56 |
| Restraint Bar | 57 |
| ROPS - Cab Mount, Canopy, Lights and Harness, and Cab Mount | 58 |
| ROPS - Cab | 62 |
| Mirrors - Rear and Rearview, plus Manual Box | 68 |
| Window Washer | 69 |
| Air Conditioning | 70 |
| Lift Arm | 79 |
| Attachment System | 81 |
| Piping; Lift Arm | 82 |
| Auxiliary Hydraulics | 84 |
| Foot Throttle | 85 |
| Decals | 88 |

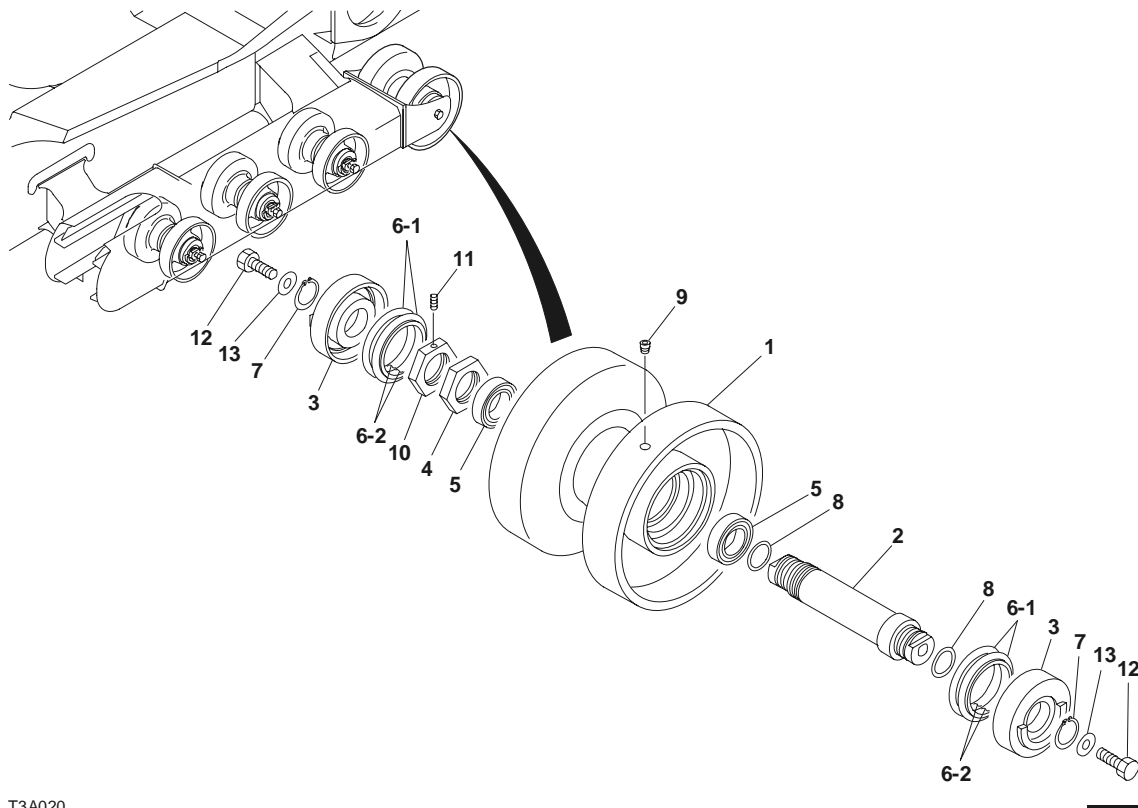
TRACK ROLLER A



U0A010

| Ref. No. | Part No. | Description | Quantity |
|----------|----------|--|----------|
| 0-1 | 196425 | ROLLER SUB ASSY, track | 6 |
| 1 | 196931 | .ROLLER | 1 |
| 2 | 180851 | .SHAFT | 1 |
| 3 | 180217 | .COVER | 1 |
| 4 | 180164 | .BUSHING | 2 |
| 5 | 180837 | .SEAL, floating TWO PIECES EQUALS ONE SEAL | 2 |
| 5-1 | | ..O-RING TWO PIECES EQUALS ONE SEAL | 2 |
| 5-2 | | ..RING, sea TWO PIECES EQUALS ONE SEAL | 2 |
| 6 | 180760 | .RING, retaining | 2 |
| 7 | 180551 | .O-RING | 2 |
| 8 | 196038 | .PLUG | 1 |
| 9 | 185847 | .COVER | 1 |
| 10 | 181033 | WASHER | 12 |
| 11 | 180097 | BOLT | 12 |

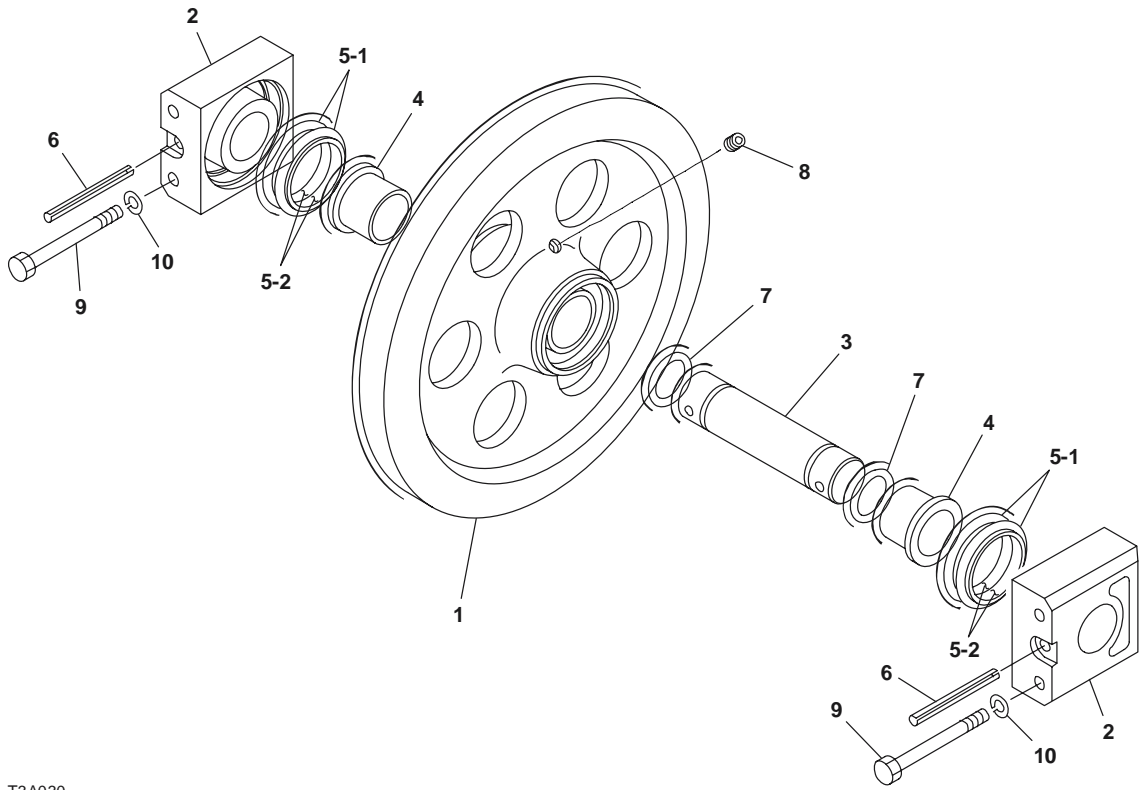
TRACK ROLLER B



T3A020

| Ref. No. | Part No. | Description | Quantity |
|----------|----------|--|----------|
| 0-1 | 196667 | ROLLER SUB ASSY, track | 2 |
| 1 | 196862 | .ROLLER | 1 |
| 2 | 196664 | .SHAFT | 1 |
| 3 | 196663 | .COVER | 2 |
| 4 | 196665 | .NUT | 1 |
| 5 | 180052 | .BEARING | 2 |
| 6 | 196871 | .SEAL, floating TWO PIECES EQUALS ONE SEAL | 2 |
| 6-1 | | ..O-RING TWO PIECES EQUALS ONE SEAL | 2 |
| 6-2 | | ..RING, seal TWO PIECES EQUALS ONE SEAL | 2 |
| 7 | 180760 | .RING, retaining | 2 |
| 8 | 180551 | .O-RING | 2 |
| 9 | 180684 | .PLUG | 1 |
| 10 | 196666 | .NUT | 1 |
| 11 | 196867 | .SET-SCREW | 1 |
| 12 | 180097 | BOLT | 4 |
| 13 | 181033 | WASHER | 4 |

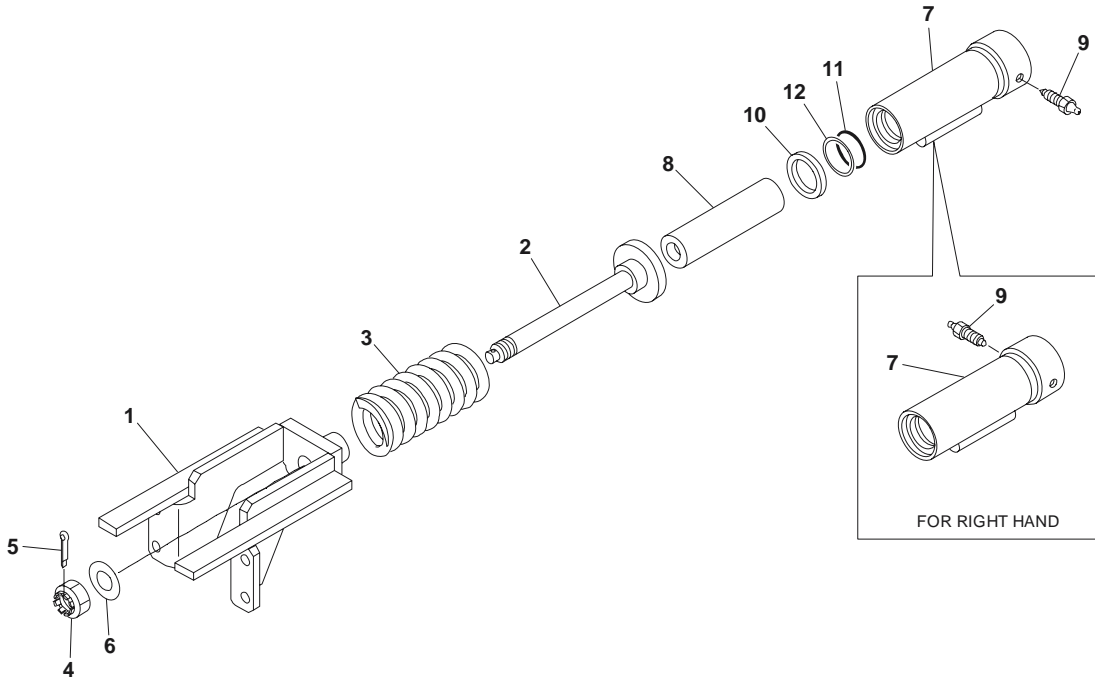
FRONT IDLER



T3A030

| Ref. No. | Part No. | Description | Quantity |
|----------|----------|--|----------|
| 0-1 | 196426 | IDLER SUB ASSY, front | 2 |
| 1 | 196932 | .IDLER | 1 |
| 2 | 196933 | .COVER | 2 |
| 3 | 196934 | .SHAFT | 1 |
| 4 | 181542 | .BUSHING | 2 |
| 5 | 180838 | .SEAL, floating TWO PIECES EQUALS ONE SEAL | 2 |
| 5-1 | | ..O-RING TWO PIECES EQUALS ONE SEAL | 2 |
| 5-2 | | ..RING, seal TWO PIECES EQUALS ONE SEAL | 2 |
| 6 | 197021 | .PIN, spring | 2 |
| 7 | 180552 | .O-RING | 2 |
| 8 | 180684 | .PLUG | 1 |
| 9 | 196674 | BOLT | 8 |
| 10 | 181052 | WASHER, spring 12 MM | 8 |

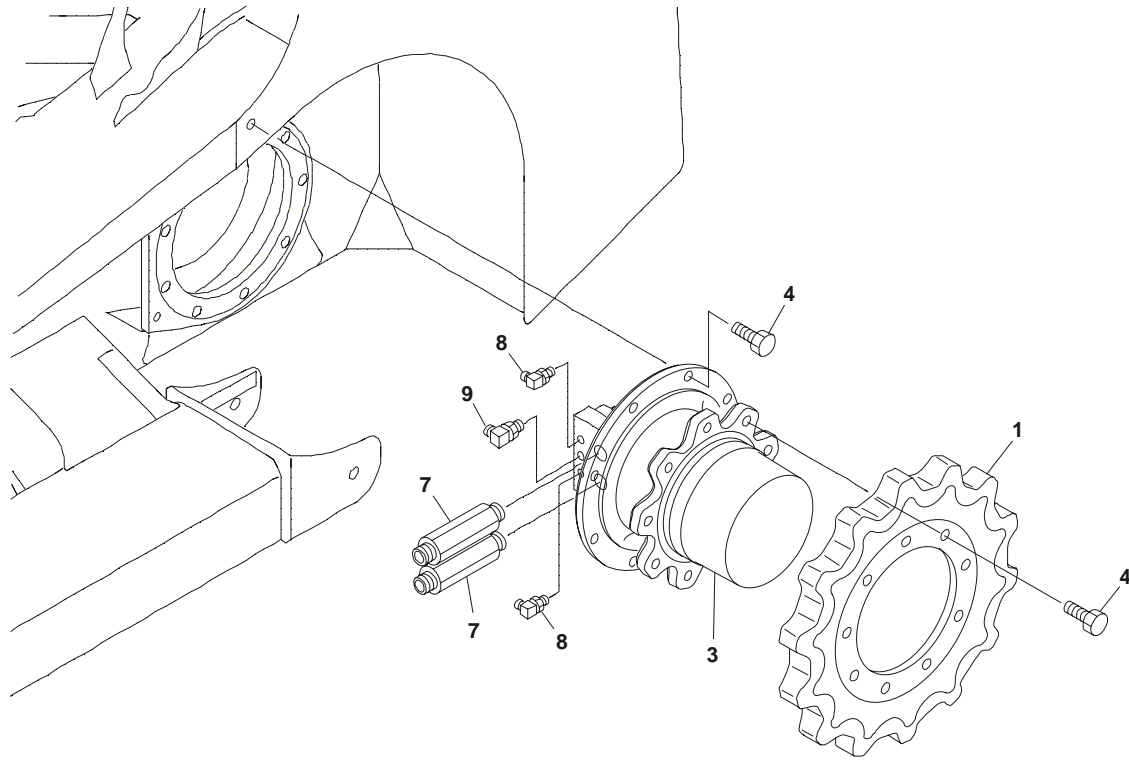
TRACK ADJUSTER



T3A040

| Ref. No. | Part No. | Description | Quantity |
|----------|----------|--------------------------|----------|
| 0-1 | 196427 | SPRING SUB ASSY | 2 |
| 1 | 196428 | .YOKE | 1 |
| 2 | 180765 | .ROD | 1 |
| 3 | 180886 | .SPRING | 1 |
| 4 | 180525 | .NUT | 1 |
| 5 | 180617 | .PIN, split | 1 |
| 6 | 181035 | .WASHER | 1 |
| 0-2 | 196429 | CYLINDER ASSY (L.H.) | 1 |
| | 196432 | CYLINDER ASSY (R.H.) | 1 |
| 7 | 196430 | .CYLINDER, grease (L.H.) | 1 |
| | 196433 | .CYLINDER, grease (R.H.) | 1 |
| 8 | 196431 | .PISTON | 1 |
| 9 | 180987 | .VALVE ASSY, check | 1 |
| 10 | 196694 | .SEAL, oil | 1 |
| 11 | 196702 | .O-RING | 1 |
| 12 | 196870 | .RING, back-up | 1 |

TRAVEL DEVICE



T3A050

| Ref. No. | Part No. | Description | Quantity |
|----------|----------|---------------|----------|
| 1 | 196434 | SPROCKET | 2 |
| 3 | 196820 | MOTOR, travel | 2 |
| 4 | 185355 | BOLT | 36 |
| 7 | 182793 | ADAPTOR | 4 |
| | 180547 | .O-RING | 1 |
| 8 | 180312 | ELBOW | 4 |
| | 180540 | .O-RING | 1 |
| 9 | 196706 | ELBOW | 2 |
| | 180542 | .O-RING | 1 |

A) TO CHECK FOR SPROCKET WEAR, ORDER P/N 190762 - SPROCKET WEAR GAUGE.

Thanks for your reading.

Please click here to download complete manual instantly.

And can also choose other manuals.

Feel free --->write to me with any questions.

Our service email:

manuals007@hotmail.com