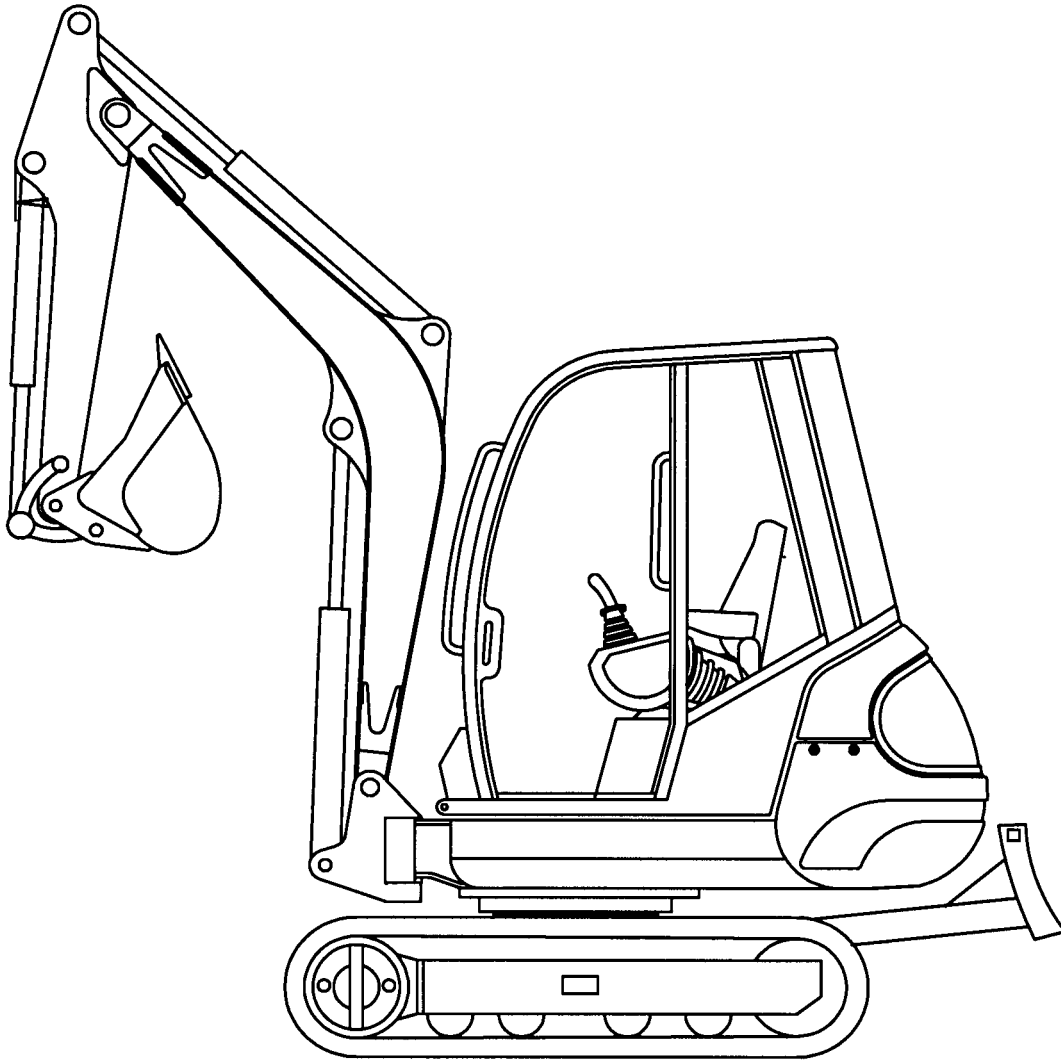


# 342-362

Form No.  
908541

## Mini-excavator



## PARTS MANUAL

**GEHL CONSTRUCTION**

## Introduction

When ordering service parts, specify the correct part number, full description, quantity required, the unit model number and serial number.

The Mini-excavator model and serial numbers are on a plate located on the lower left front outer side of the cabin (from the driver's perspective).

OUR Company reserves the right to make changes or improvements in the design or construction of any part of the unit without incurring the obligation to install such changes on any previously delivered units.

To ensure continued safe operation, replace damaged or worn-out parts with genuine Factory service parts, BEFORE attempting to operate this equipment.

Refer to the abbreviations table located on this page for the various fastener descriptions.

In the exploded view parts list, Reference numbers marked with an asterisk (\*) indicate that the individual parts of the assembly are listed later in that section. Refer to the Table of Contents for locations of specific assemblies.

**NOTE:** *The following abbreviations may be used herein:*

AR	– As Required
ASSD	– Assembled
ASSY	– Assembly
CB	– Carriage Bolt
CCW	– Counterclockwise
CP	– Cotter Pin
CS	– Cap Screw (Hexagon Head)
CTR	– Center
CW	– Clockwise
DEG	– Degree
DIA	– Diameter
FCHC	
FCS	– Flanged Cap Screw
FHMS	– Flat Head Machine Screw
FL	– Flanged
FLN	– Flanged Lock Nut (Hexagon)
FLS	– Flanged Lock Screw (Hexagon)
FW	– Flat Washer
GA	– Gauge
GR	– Grade
HD	– Hard or Head
HLN	– Hex Lock Nut
HJN	– Hex Jam Nut
HN	– Hex Nut
HS	
INCL	– Includes
INS	
JT	– Joint
LG	– Large
LH	– Left Hand
LN	– Lock Nut
LW	– Lock Washer
M	– Metric
MM/mm	– Millimeter
NF	– National Fine
PB	– Plow Bolt
PTO	– Power Take Off
RH	– Right Hand
RHMS	– Round Head Machine Screw
RPM	– Revolutions Per Minute
RT	– Right
SERR	– Serrated
SHCS	– Socket Head Cap Screw
SHSS	– Socket Head Set Screw
SN	– Serial Number or Slotted Nut
SQ	– Square
SQSS	– Square Head Set Screw
T	– Tooth or Teeth
TFS	– Thread Forming Screw
THMS	– Truss Head Machine Screw
THRD	– Thread
WLDMT	– Weldment
ZO	– Zinc Oxide Plating
#	– Number

# Table of Contents

<b>SECTION A: UNDERCARRIAGE</b> .....	<b>.5</b>
UNDERCARRIAGE .....	6
MODEL 342 — UNDERCARRIAGE .....	6
MODEL 362 — UNDERCARRIAGE .....	8
MODELS 342-362 — TRACK TENSION .....	10
MODELS 342-362 — TRACK ROLLER .....	11
<b>SECTION B: DOZER BLADE</b> .....	<b>.13</b>
DOZER BLADE .....	14
MODELS 342-362 — DOZER BLADE .....	14
<b>SECTION C: CHASSIS</b> .....	<b>.15</b>
CHASSIS .....	16
MODELS 342-362 — CHASSIS .....	16
MODELS 342-362 — CHASSIS COVERS .....	17
MODELS 342-362 — CHASSIS LUBRICATION .....	18
MODELS 342-362 — HOOD .....	19
<b>SECTION D: TILT FRAME</b> .....	<b>.21</b>
TILT FRAME .....	22
MODELS 342-362 — TILT FRAME .....	22
MODELS 342-362 — ISOLATION MATS .....	23
MODELS 342-362 — VALVE COVER .....	24
<b>SECTION E: BOOM</b> .....	<b>.25</b>
BOOM .....	26
MODELS 342-362 — BOOM .....	26
MODELS 342-362 — STICK .....	27
<b>SECTION F: CABIN</b> .....	<b>.29</b>
CABIN .....	30
MODELS 342-362 — CABIN INSTALLATION .....	30
MODELS 342-362 — CABIN FRAME .....	31
MODELS 342-362 — RADIO KIT .....	32
MODELS 342-362 — CABIN CABLES .....	33
MODELS 342-362 — FRONT WINDSHIELD .....	34
MODELS 342-362 — LOWER FRONT WINDSHIELD .....	36
MODELS 342-362 — UPPER FRONT WINDSHIELD .....	37
MODELS 342-362 — LEFT SIDE WINDOW .....	38
MODELS 342-362 — REAR WINDOW .....	39
MODELS 342-362 — CABIN DOOR .....	40
MODELS 342-362 — LOWER RIGHT SIDE WINDOW .....	42
MODELS 342-362 — SLIDING SIDE WINDOW .....	43
MODELS 342-362 — DRIVERS SEAT .....	44
MODELS 342-362 — CAB HEATING .....	45
<b>SECTION G: DIESEL ENGINE</b> .....	<b>.47</b>
DIESEL ENGINE .....	48
MODELS 342-362 — DIESEL ENGINE .....	48
MODELS 342-362 — ENGINE SUSPENSION .....	49
MODELS 342-362 — COOLING WATER RADIATOR .....	50

MODELS 342-362 — AIR INTAKE .....	51
MODELS 342-362 — EXHAUST .....	52
MODELS 342-362 — FUEL LINE.....	53
MODELS 342-362 — ACCELERATOR .....	54
MODELS 342-362 — DIESEL TANK.....	55
<b>SECTION H: HYDRAULIC SYSTEM .....</b>	<b>57</b>
HYDRAULIC SYSTEM .....	58
MODELS 342-362 — HYDRAULIC PUMP ASSEMBLY.....	58
MODELS 342-362 — HYDRAULIC OIL TANK.....	60
MODELS 342-362 — HYDRAULIC PUMP.....	62
MODELS 342-362 — HYDRAULIC OIL COOLER .....	63
MODELS 342-362 — HYDRAULIC MOTOR 1.....	64
MODELS 342-362 — HYDRAULIC MOTOR 2.....	65
MODELS 342-362 — TRAVEL MOTOR .....	66
MODELS 342-362 — TRAVELING MOTOR .....	67
MODELS 342-362 — CONTROL VALVE.....	68
MODELS 342-362 — CONTROL VALVE.....	69
MODELS 342-362 — PILOT OIL SUPPLY UNIT.....	70
MODEL 342 — SWIVEL JOINT.....	71
MODEL 362 — SWIVEL JOINT.....	72
MODELS 342-362 — TURNING MOTOR.....	73
MODELS 342-362 — TURNING MOTOR.....	74
MODELS 342-362 — TURNING MOTOR.....	75
MODELS 342-362 — VALVE.....	76
MODELS 342-362 — SELECTION VALVE .....	77
MODELS 342-362 — TRAVELING CHECK VALVE HYDRAULICS .....	78
MODELS 342-362 — ADDITIONAL CHECK VALVE HYDRAULICS .....	79
MODELS 342-362 — HAND LEVERS.....	80
MODEL 342 — DOZER BLADE VALVE .....	81
MODEL 362 — DOZER BLADE VALVE .....	82
MODELS 342-362 — DOZER BLADE CYLINDER .....	83
MODELS 342-362 — BOOM OFFSET CYLINDER .....	84
MODELS 342-362 — BOOM CYLINDER .....	85
MODELS 342-362 — STICK CYLINDER .....	86
MODELS 342-362 — BUCKET CYLINDER.....	87
MODEL 362 — TILT CYLINDER .....	88
MODELS 342-362 — HYDRAULIC PUMP INSTALLATION.....	89
MODELS 342-362 — HYDRAULIC OIL COOLER INSTALLATION .....	90
MODELS 342-362 — PILOT VALVE INSTALLATION.....	91
MODELS 342-362 — HAND LEVER INSTALLATION.....	92
MODELS 342-362 — PILOT OIL SUPPLY UNIT INSTALLATION.....	93
MODEL 342 — TRAVELING MOTOR INSTALLATION .....	94
MODEL 362 — TRAVELING MOTOR INSTALLATION .....	95
MODELS 342-362 — TURNING MOTOR INSTALLATION.....	96
MODELS 342-362 — BOOM OFFSET CYLINDER INSTALLATION .....	97
MODEL 362 — TILT CYLINDER INSTALLATION .....	98
MODEL 342 — DOZER BLADE INSTALLATION.....	99
MODEL 362 — DOZER BLADE INSTALLATION.....	100
MODELS 342-362 — BOOM INSTALLATION.....	101
MODELS 342-362 — ADDITIONAL HYDRAULIC INSTALLATION.....	102

<b>SECTION I: ELECTRICAL SYSTEM</b> .....	<b>.103</b>
ELECTRICAL SYSTEM .....	.104
MODELS 342-362 — ELECTRICAL INSTALLATION 1 .....	104
MODELS 342-362 — ELECTRICAL INSTALLATION 2 .....	105
MODELS 342-362 — BATTERY INSTALLATION .....	106
MODELS 342-362 — CONTROL BOARD .....	107
MODELS 342-362 — RELAY BOX .....	108
MODELS 342-362 — HEADLIGHTS 1 .....	109
MODELS 342-362 — HEADLIGHTS 2 .....	110
MODELS 342-362 — HORN .....	111
<b>SECTION J: TOOLS</b> .....	<b>.113</b>
TOOLS .....	.114
MODELS 342-362 — TOOLS .....	114
<b>SECTION K: DECALS</b> .....	<b>.115</b>
DECALS .....	.116
MODEL 342 — DECALS .....	116
MODEL 392 — DECALS .....	117



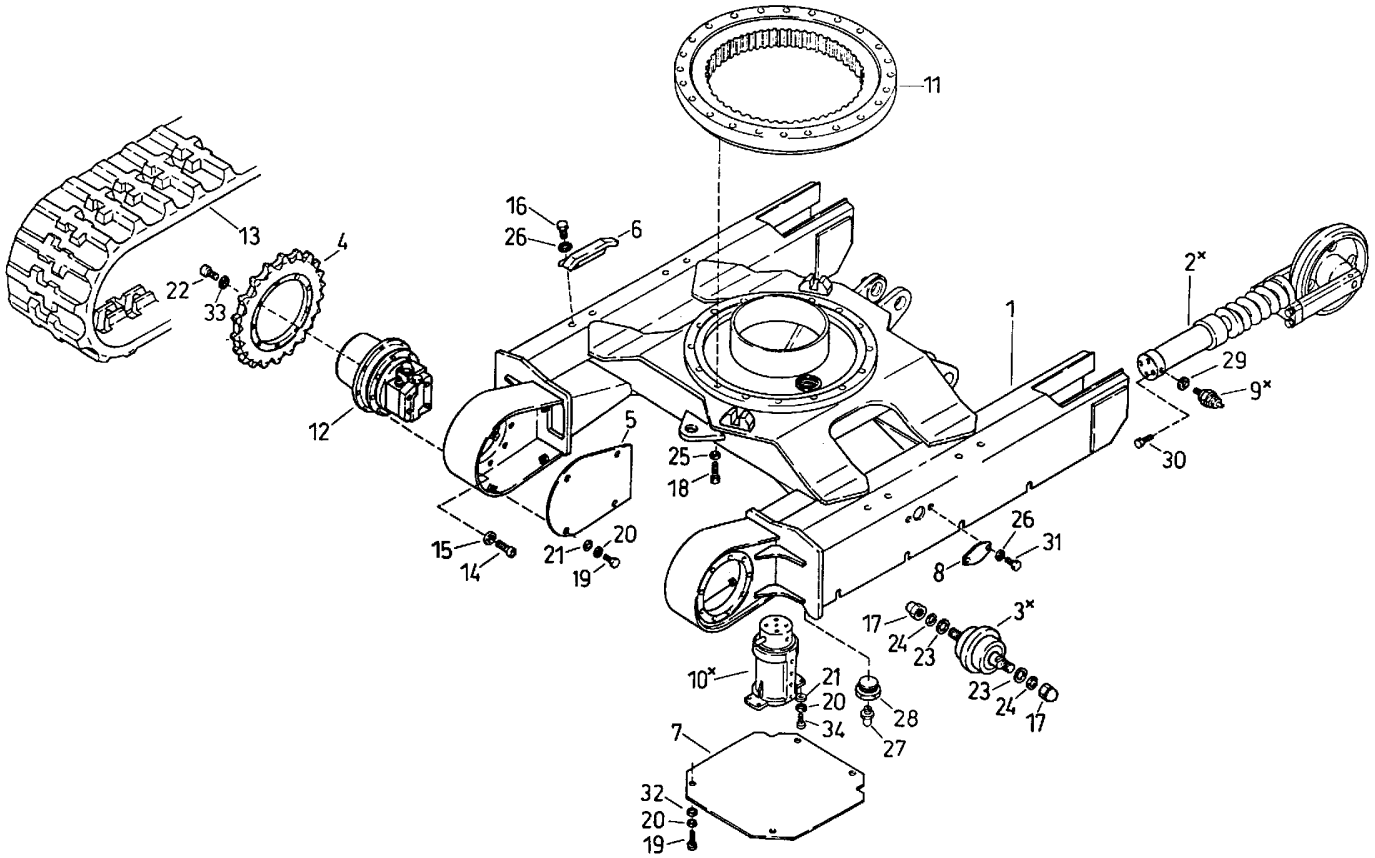
**SECTION A: UNDERCARRIAGE**

UNDERCARRIAGE ..... 6  
MODEL 342 — UNDERCARRIAGE ..... 6  
MODEL 362 — UNDERCARRIAGE ..... 8  
MODELS 342-362 — TRACK TENSION..... 10  
MODELS 342-362 — TRACK ROLLER..... 11

**SECTION A: UNDERCARRIAGE**

**MODELS 342-362 MINI-EXCAVATOR  
UNDERCARRIAGE  
MODEL 342 — UNDERCARRIAGE**

---



**ET3420100**

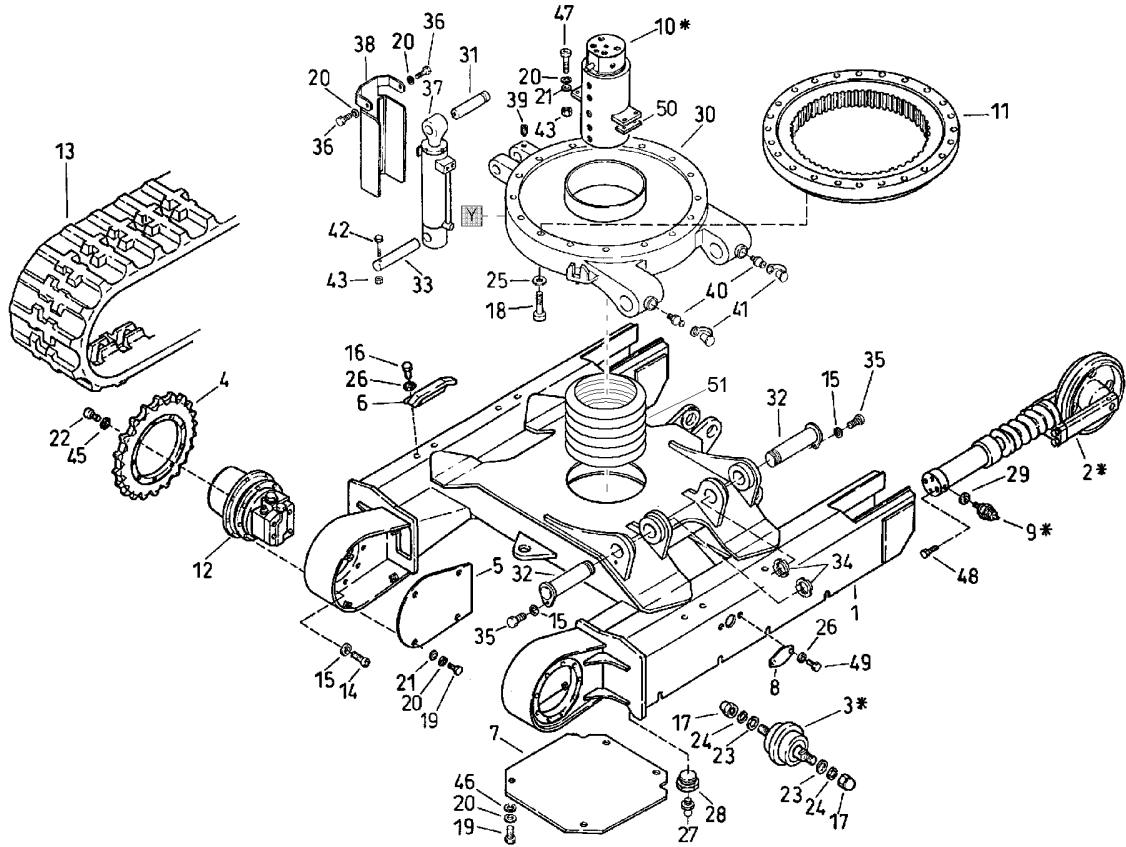
\* Reference numbers marked with an asterisk (\*) indicate that the individual parts of the assembly are listed later in this section. Refer to the Table of Contents for locations of specific assemblies.



**MODELS 342-362 MINI-EXCAVATOR  
UNDERCARRIAGE  
MODEL 342 — UNDERCARRIAGE**

Ref. No.	Part No.	Description	Qty. Req.	Ref. No.	Part No.	Description	Qty. Req.
1	162550	UNDERCARRIAGE .....	1	18	651413	CS M16-2.0 X 60 F 10.9 ZO .....	16
2	160795	TRACK TENSIONING .....	2	19	656001	CS M8-1.2 X 20 C 8.8 ZO .....	12
3	160794	TRACK ROLLER ASSEMBLY .....	8	20	161676	LOCKWASHER S8 .....	16
4	160710	SPROCKET .....	2	21	161661	WASHER/GR A 8.4 ZO .....	12
5	162330	COVER .....	2	22	651483	SHCS HS M12-1.7 X 35 10.9 ZO D912 .....	18
6	162332	CHAIN GUIDANCE .....	4	23	161653	WASHER/ROUND HI-TENS 21 DIN6916 .....	16
7	162329	COVER .....	1	24	656143	LW REG M20 ZO .....	16
8	162331	COVER .....	2	25	161647	WASHER/ROUND HI-TENS 17 .....	16
9	160638	NON RETURN VALVE .....	2	26	161669	LOCKWASHER S10 .....	12
10	162527	SWIVEL JOINT .....	1	27	161412	LUBRICATION FITTING .....	1
11	162522	TURNTABLE .....	1	28	161417	PLUG .....	1
12	160723	TRAVEL GEAR .....	2	29	161578	SEAL .....	2
13	160820	RUBBER CHAIN .....	1	30	651395	CS M10-1.5 X 30 C 10.9 ZO .....	4
14	656148	SHCS HS 12-1.75X40 10.9 ZO .....	18	31	656090	CS M10-1.5 X 16 C 8.8 ZO .....	4
15	161670	LOCKWASHER S12 .....	18	32	161667	WASHER/GR A 8.4 ZO .....	4
16	651391	CS M10-1.5 X 20 C 8.8 ZO .....	8	33	161624	LW SPRING B12 DIN 7982 .....	18
17	161617	NUT/HEX DOMED CAP M20 .....	16	34	162032	SCREW .....	4

**MODELS 342-362 MINI-EXCAVATOR  
UNDERCARRIAGE  
MODEL 362 — UNDERCARRIAGE**



**ET3420105**

\* Reference numbers marked with an asterisk (\*) indicate that the individual parts of the assembly are listed later in this section. Refer to the Table of Contents for locations of specific assemblies.

**Thanks for your reading.**

**Please click here to download complete manual instantly.**

**And can also choose other manuals.**

**Feel free --->write to me with any questions.**

**Our service email:**

**manuals007@hotmail.com**