

Form No.
909786

303

Compact Excavator

PARTS MANUAL

GEHL[®]

Introduction

When ordering service parts, specify the correct part number, full description, quantity required, the unit model number and serial number. For your safety and continued proper operation, use only genuine GEHL service parts.

The model and serial number for this unit are on a tag located on a panel on the front of the cabin.

“Right” and “left” are determined from a position sitting on the seat and facing forward. From this position, the cab is on the “left” and the hydraulic valve compartment is on the “right”.

GEHL® Company reserves the right to make changes or improvements in the design or construction of any part of the unit without incurring the obligation to install such changes on any previously delivered units.

Refer to the abbreviations table located on this page for the various fastener descriptions. Standard attaching hardware torque values are also provided on the inside back cover. Metric torque values shown in the illustra-

tions are in Newton-meters and can be converted to Foot-pounds by multiplying by 0.738.

In the exploded view parts list, Reference Numbers may have additional information following the Reference Number.

Unless otherwise specified, all Cap Screws or Bolts are Grade 5, cadmium or zinc plated; Hexagon Nuts for Grade 5 Screws or Bolts are Grade B; Hexagon Nuts for other Screws or Bolts are Grade A.

NOTE: *The following abbreviations may be used herein:*

CP	– Cotter Pin
CS	– Cap Screw (Hexagon Head)
FHCS	– Flat Head Cap Screw
HN	– Hex Nut
LN	– Lock Nut
LT	– Left Hand
M	– Metric
MM/mm	– Millimeter
RT	– Right

TABLE OF CONTENTS

Introduction	Inside Front Cover	Exhaust Manifold	52
Decal Locations	2-7	Intake Manifold	53
Undercarriage	8	Pump Drive	54
Track Tensioning	9	Hydraulic Oil Tank	55
Track-Supporting Roller	10	Oil Cooler	56
Track Roller	11	Hydraulic Pump	57
Dozer Blade	12	Travel Motors	58
Uppercarriage	13	Swivel Joint	59-60
Lubrication Block	14	Turning Gear	61
Rear Wall	15	Control Valve	62-63
Counterweight	16	Pilot Oil Supply	64-66
Valve Cover	17	Pilot Operation Check Valve	67
Lifting Arm	18	Dozer Blade Reversing Valve	68
Short Dipper Arm	19	Lock Valve	69
Long Dipper Arm	20	Manifold Block	70
Connecting Link	21	Joysticks	71
Cabin Windows	22	Traveling Valve	72
Windshield	23	Auxiliary Hydraulics	73
Cabin Door	24	Lifting Arm Cylinder	74
Cabin Frame	25-27	Dipper Arm Cylinder	75
Open Canopy	28	Dipper Cylinder	76
Sash Window	29	Swivel Cylinder	77
Cabin Wiring	30	Dozer Blade Cylinder	78
Operator's Seat	31	Hoses, Hydraulic Oil Cooler	79
Cabin Floor	32	Hoses, Hydraulic Pump	80
Cabin Heating	33	Hoses, Traveling Gears	81
Engine Mounts	34	Hoses, Turning Gear	82
Radiator	35	Hoses, Swivel Cylinder	83
Air Cleaner	36	Hoses, Dozer Blade Cylinder	84
Exhaust	37	Hoses, Joysticks	85
Fuel Tank	38	Hoses, Traveling Valve	86
Fuel System	39	Tubes, Control Valve	87
Throttle	40	Tubes, Short Liftarm	88
Oil Pump, Pan & Filter	41	Tubes, Long Liftarm	89
Cylinder Head	42	Battery	90
Stop Solenoid	43	Engine Harness	91
Fuel Injection Pump	44	Harness, Right Armrest	92
Fuel Injection	45	Harness, Uppercarriage	93
Fuel Filter	46	Headlight	94
Fuel Pump	47	Tool Kit	95
Alternator	48	Tool Box, Grease Gun Bracket	96
Starter	49	Alphabetical Index	97
Thermostat	50	Numerical Index	98-105
Water Pump & Fan	51	Torque Chart	Inside Rear Cover

DECAL LOCATIONS

GENERAL INFORMATION

Decal location information is provided to assist in the proper selection and application of new decals, in the event the original decals become damaged or the machine is repainted. Refer to the listing for the illustration reference number, part number, description and quantity of each decal provided in the kit. Refer to the appropriate illustrations for replacement locations.

To ensure proper selection of the correct replacement decals, compare all of the various closeup location drawings to your machine before starting to refinish the unit. Then circle each shown decal (applicable to your machine) while checking off its part number in the listing. After you have verified all the decals needed for replacement, place any extra unnecessary decals aside for disposal.

NOTE: Refer to the SAFETY chapter of the Operator's Manual for the specific information provided on all of the various safety decals furnished in the decal kit(s).

NEW DECAL APPLICATION

Surfaces MUST be free from dirt, dust, grease and other foreign material before applying the new decal. To apply, remove the smaller portion of the decal backing paper and apply this part of the exposed adhesive backing to the clean surface while maintaining proper position and alignment. Peel the other portion of the backing paper off slowly while applying hand pressure to smooth out the decal surface.



CAUTION

ALWAYS follow safety precautions on decals. Replace the decals if they are damaged, or if the unit is repainted. If repainting, BE SURE all applicable decals are affixed to your unit.

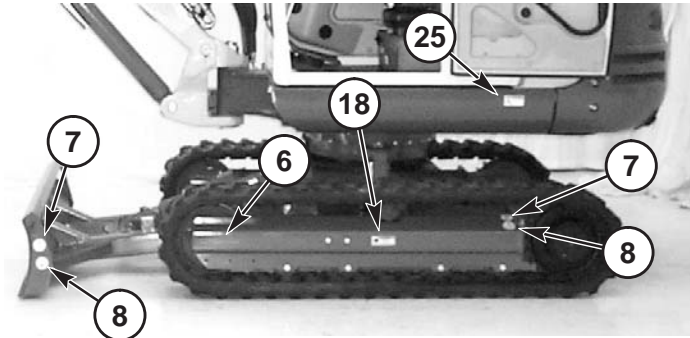
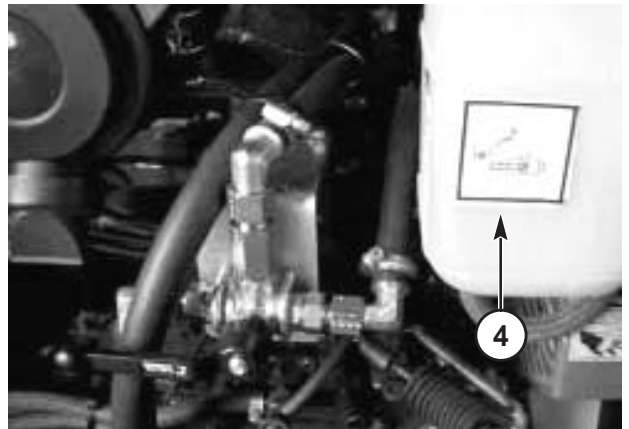
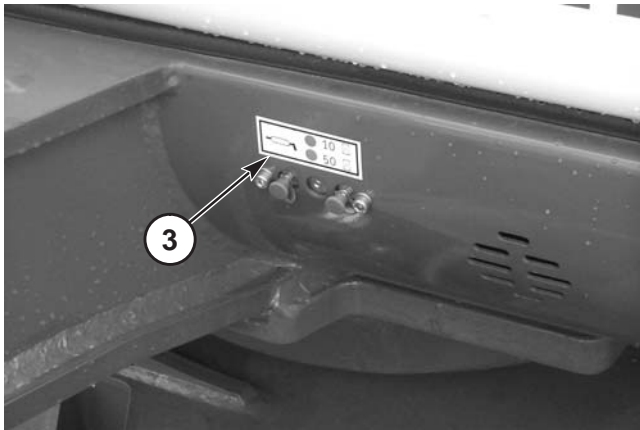
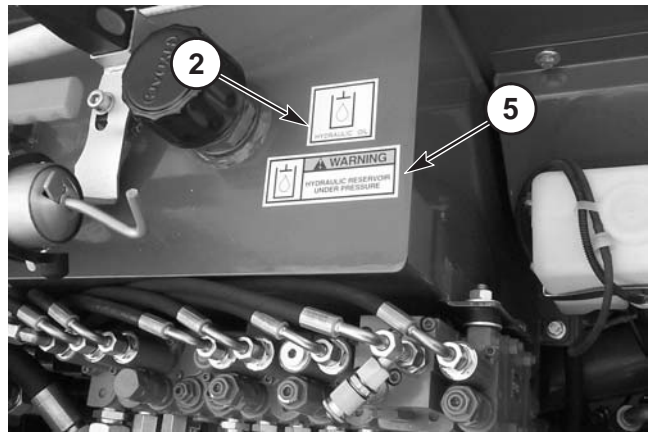
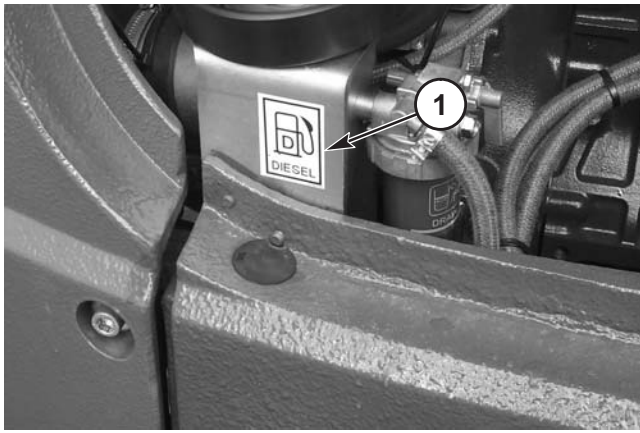
PAINT NOTICE

Use this list to order paint for refinishing:

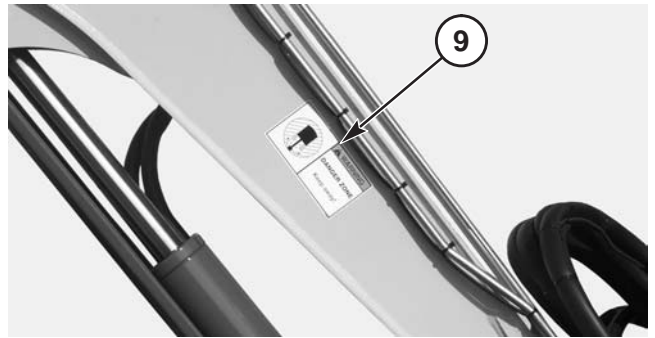
906213	One Gal. Construction Yellow
906323	One Qt. Charcoal Grey
906317	One Gal. Charcoal Grey
906214	6 (12 oz. Spray Cans) Yellow
906318	6 (12 oz. Spray Cans) Grey

The decal kit for the model 303 Compact Excavator is listed below:

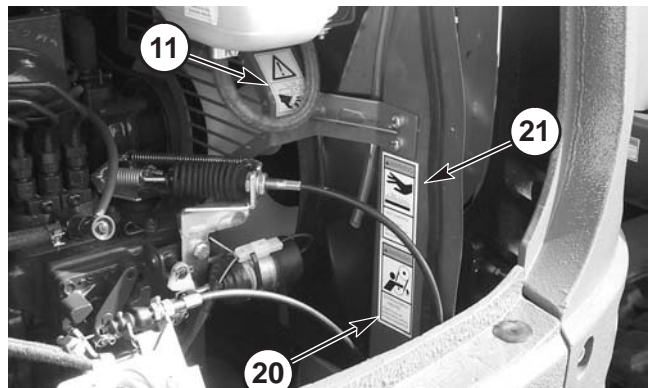
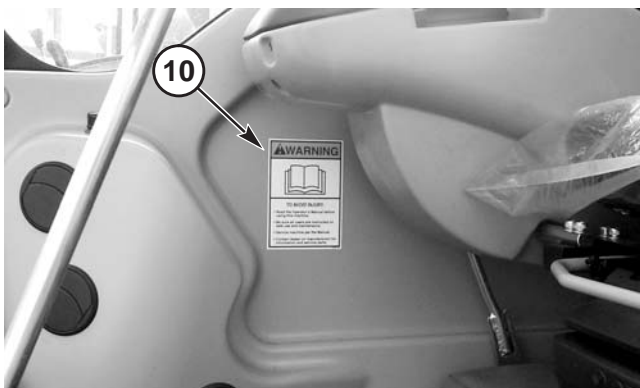
Ref. No.	Part No.	Description & Quantity
	163985	Decal Kit - 303
1	161965	Diesel Fuel
2	161966	Hydraulic Oil
3	161967	Lubrication
4	161968	Heater Valve (cab models only)
5	161969	WARNING – Hydraulic Reservoir
6	161970	Arrow (2 places)
7	161981	Lift Point (4 places)
8	161982	Tiedown Point (4 places)
9	161985	WARNING – Keep Away (2 places)
10	161986	WARNING – Read Manual
11	161987	WARNING – Engine Fan
12	162450	Travel – Left
13	162451	Travel – Right
14	162452	Right Joystick Control
15	162453	Left Joystick Control
16	162832	Hydraulics Compartment Latch
17	163973	WARNING – Mandatory Shutdown
18	163975	WARNING – Avoid Injury (2 places)
19	163976	WARNING – Avoid Injury
20	163977	WARNING – Entanglement Hazard
21	163978	WARNING – Hot Surface
22	163979	Valve Position
23	163992	Left Graphic
24	163993	Right Graphic
25	163994	WARNING – Counterweight (2 places)
26	163995	Dozer Blade Control
27	163996	Bypass Ball Valve
28	164853	Engine Compartment Latch
29	164854	WARNING – Avoid Injury
30	165898	Manual Throttle
31	165906	Glow plug
32	159519	GEHL
33	L82282	GEHL (4 places, 3 places on canopy models)
34	164988	303 (2 places)



Both Sides

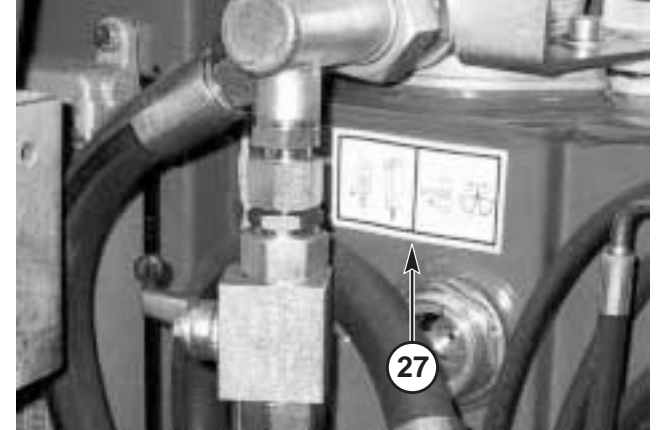
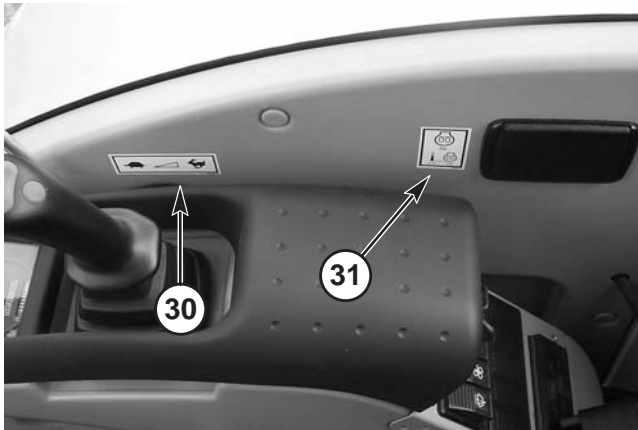
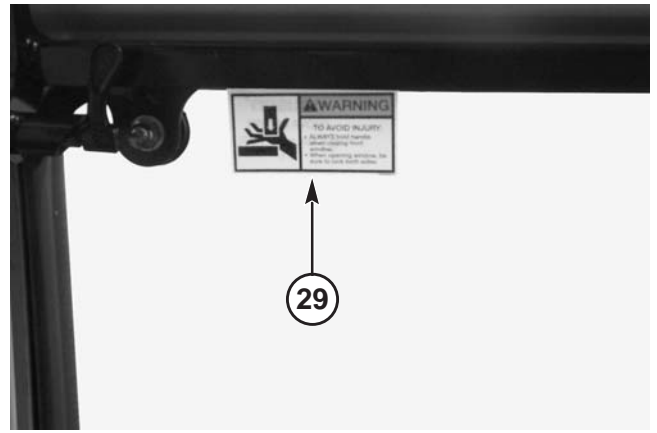
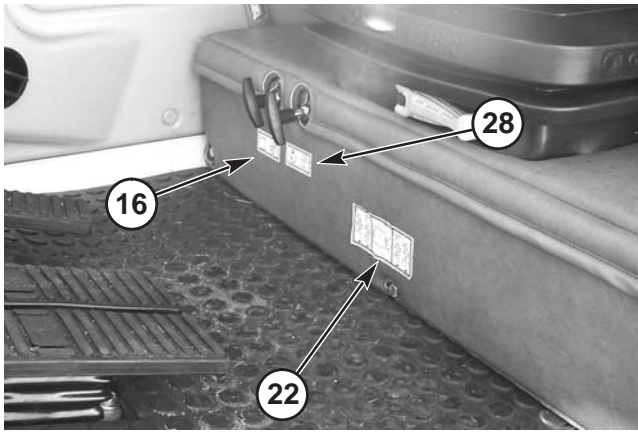


Both Sides



The decal listing has been repeated for your convenience.

Ref. No.	Part No.	Description & Quantity
	163985	Decal Kit - 303
1	161965	Diesel Fuel
2	161966	Hydraulic Oil
3	161967	Lubrication
4	161968	Heater Valve (cab models only)
5	161969	WARNING – Hydraulic Reservoir
6	161970	Arrow (2 places)
7	161981	Lift Point (4 places)
8	161982	Tiedown Point (4 places)
9	161985	WARNING – Keep Away (2 places)
10	161986	WARNING – Read Manual
11	161987	WARNING – Engine Fan
12	162450	Travel – Left
13	162451	Travel – Right
14	162452	Right Joystick Control
15	162453	Left Joystick Control
16	162832	Hydraulics Compartment Latch
17	163973	WARNING – Mandatory Shutdown
18	163975	WARNING – Avoid Injury (2 places)
19	163976	WARNING – Avoid Injury
20	163977	WARNING – Entanglement Hazard
21	163978	WARNING – Hot Surface
22	163979	Valve Position
23	163992	Left Graphic
24	163993	Right Graphic
25	163994	WARNING – Counterweight (2 places)
26	163995	Dozer Blade Control
27	163996	Bypass Ball Valve
28	164853	Engine Compartment Latch
29	164854	WARNING – Avoid Injury
30	165898	Manual Throttle
31	165906	Glow plug
32	159519	GEHL
33	L82282	GEHL (4 places, 3 places on canopy models)
34	164988	303 (2 places)



Overhead Panel Decals – positioning may vary by model and cabin style

1.	2.	<p>⚠ WARNING</p> <p>MANDATORY SAFETY SHUTDOWN PROCEDURE</p> <p>1. Lower all equipment to ground. 2. Reduce throttle; shut off engine. 3. Lock out controls before exiting. 4. Remove key and take it with you.</p>
3.	4.	

9705272G

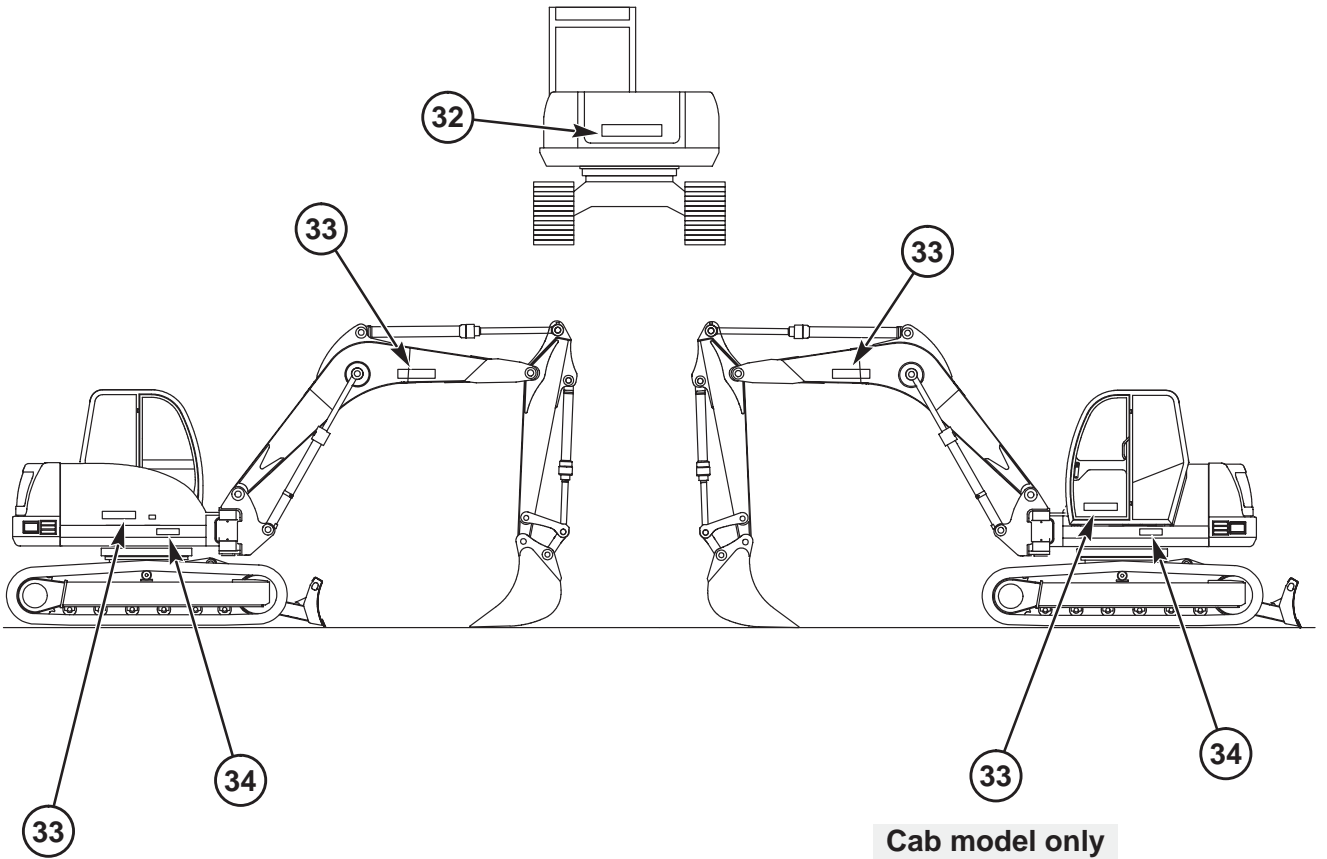
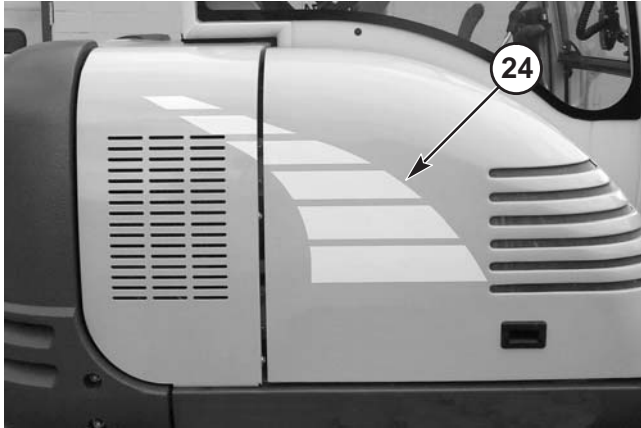
1.	2.	<p>⚠ WARNING</p> <p>TO AVOID INJURY:</p> <p>1. Load and transport unit properly. Inspect job-site for hazards. 2. Operate only from operator's seat. Fasten seatbelt. 3. Keep people out of DANGER ZONE. 4. Operate within stability limit of machine. DO NOT OVERLOAD. Use only approved attachments.</p>
3.	4.	

9705274C

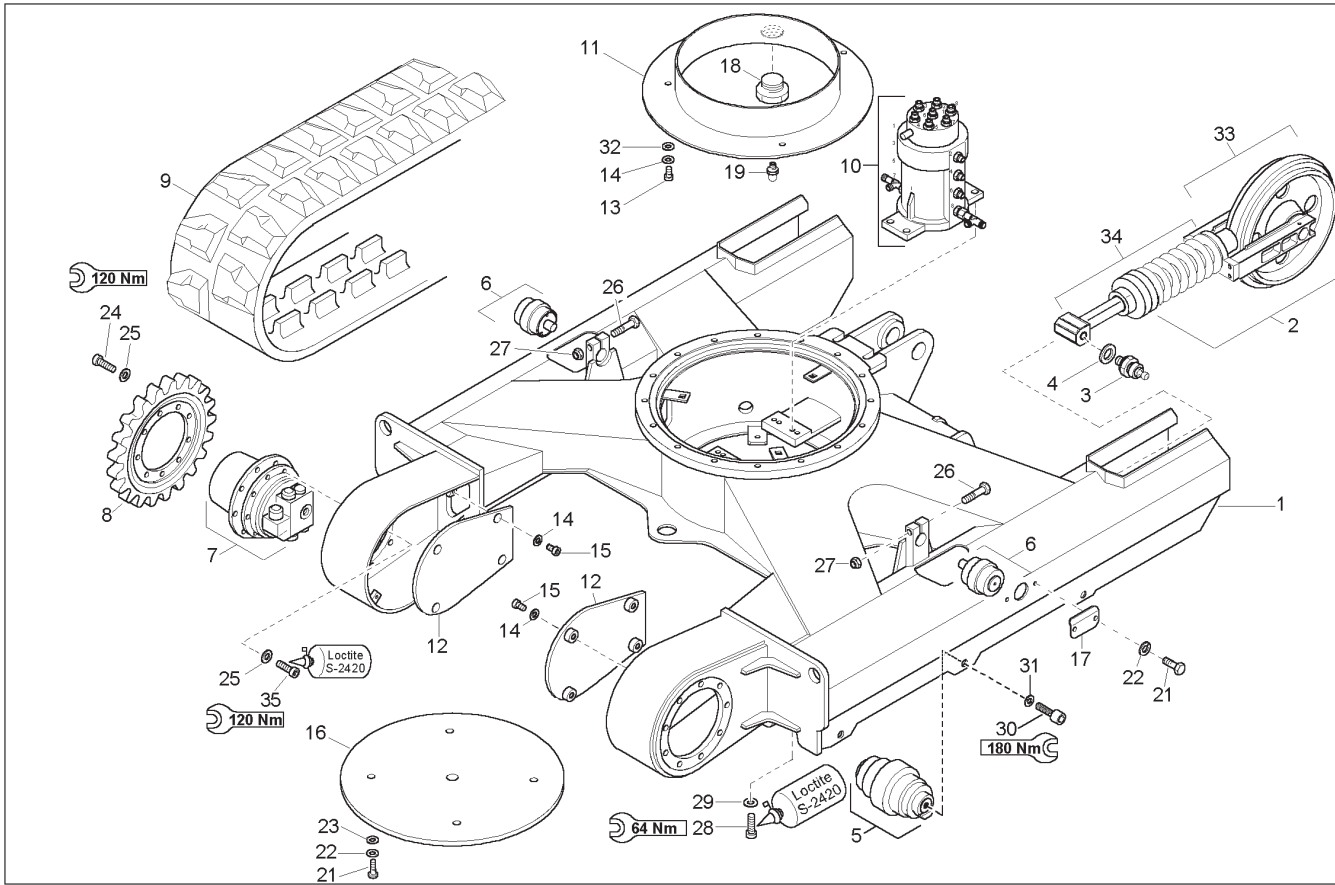
15	12	13	14	26

The decal listing has been repeated for your convenience.

Ref. No.	Part No.	Description & Quantity
	163985	Decal Kit - 303
1	161965	Diesel Fuel
2	161966	Hydraulic Oil
3	161967	Lubrication
4	161968	Heater Valve (cab models only)
5	161969	WARNING – Hydraulic Reservoir
6	161970	Arrow (2 places)
7	161981	Lift Point (4 places)
8	161982	Tiedown Point (4 places)
9	161985	WARNING – Keep Away (2 places)
10	161986	WARNING – Read Manual
11	161987	WARNING – Engine Fan
12	162450	Travel – Left
13	162451	Travel – Right
14	162452	Right Joystick Control
15	162453	Left Joystick Control
16	162832	Hydraulics Compartment Latch
17	163973	WARNING – Mandatory Shutdown
18	163975	WARNING – Avoid Injury (2 places)
19	163976	WARNING – Avoid Injury
20	163977	WARNING – Entanglement Hazard
21	163978	WARNING – Hot Surface
22	163979	Valve Position
23	163992	Left Graphic
24	163993	Right Graphic
25	163994	WARNING – Counterweight (2 places)
26	163995	Dozer Blade Control
27	163996	Bypass Ball Valve
28	164853	Engine Compartment Latch
29	164854	WARNING – Avoid Injury
30	165898	Manual Throttle
31	165906	Glow plug
32	159519	GEHL
33	L82282	GEHL (4 places, 3 places on canopy models)
34	164988	303 (2 places)



303 - UNDERCARRIAGE



Ref. No.	Part No.	Description	Qty. Req.	Ref. No.	Part No.	Description	Qty. Req.
01	165597	UNDERCARRIAGE	1	17	162331	COVER	2
02	165605	TRACK TENSIONING COMPLETE	2	18	165119	PLUG	1
03	160638	NON RETURN VALVE	2	19	161412	LUBRICATION NIPPLE	1
04	160865	SCREW SEAL	2	20	161416	PROTECTION CAP	1
05	165122	ROLLER COMPLETE	8	21	656090	CS M10-1.5 X 16 C 8.8	8
06	165124	ROLLER COMPLETE	2	22	161669	RING/SNAP S10	8
07	165662	TRACK DRIVE UNIT	2	23	161640	WASHER/GR A 10.5	4
08	165121	SPROCKET	2	24	651480	SHCS HS M12-1.7 X 30 10.9	18
09	165603	RUBBER CHAIN	2	25	161620	LW SPRING 12	36
10	162526	SWIVEL JOINT	1	26	651489	SHCS HS M12-1.7 X 65 10.9	2
11	165602	BRACKET	1	27	651449	HLN INS M12-1.7	2
		(AFTER SN AB00285)		28	162022	SCREW	4
	165599	BRACKET	1	29	161635	WASHER/NORD-LOCK NL 10 STUCK	4
		(BEFORE SN AB00286)		30	165945	SCREW	16
12	165117	COVER	2	31	164920	WASHER	16
13	656001	CS M8-1.2 X 20 C 8.8	11	32	161662	WASHER/GR A 8.4	3
14	161676	RING/SNAP S8	11	33	165126	TENSION WHEEL + SLIDE PART	2
15	161661	WASHER/GR A 8.4	8	34	165606	SPRING SET	2
16	165598	COVER	1	35	163628	SCREW	18

Thanks for your reading.

Please click here to download complete manual instantly.

And can also choose other manuals.

Feel free --->write to me with any questions.

Our service email:

manuals007@hotmail.com