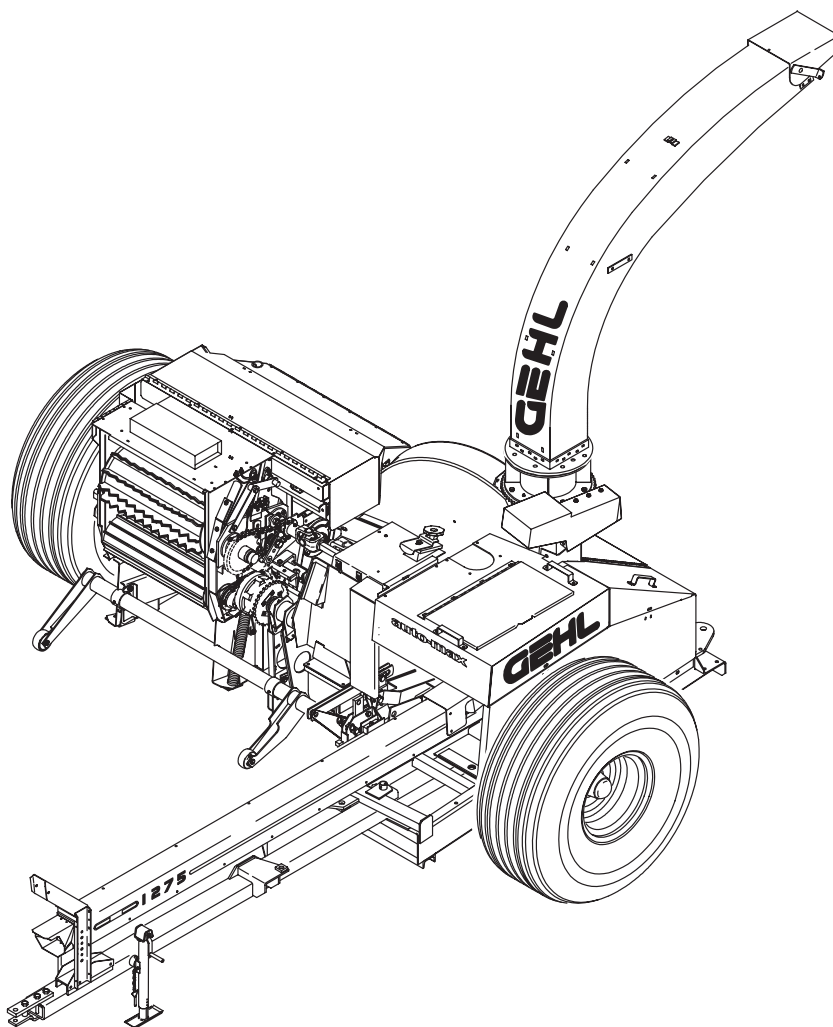


Form No.  
908010  
Replaces  
907597

# 1275

## Forage Harvester



# PARTS MANUAL

**GEHL® AGRICULTURE**

## Introduction

When ordering service parts, specify the correct part number, full description, quantity required, the unit model number and serial number.

The model and serial number for the CB1275 is on a plate located on the right side of the Main Frame below the feedrolls. The serial number for the CP1200 is on the top surface of the crop processor housing.

“Right” and “Left” are determined from a position standing behind the unit and facing the direction of travel. From this position the Bevel Gearbox and Main Drive Shaft are on the “Left” side.

GEHL® Company reserves the right to make changes or improvements in the design or construction of any part of the unit without incurring the obligation to install such changes on any previously delivered units.

**NOTE:** *On original tire replacement, company policy prohibits the sale of replacement tires for all GEHL machinery. Replacement Wheel Sets are available and tire size information is called out with the Wheel Sets to facilitate replacement tire selection. ALL REPLACEMENT TIRES MUST BE PURCHASED LOCALLY.*

Refer to the abbreviations table located on this page for the various fastener descriptions. Standard attaching hardware torque values are also provided on the inside back cover.

In the exploded view parts list, Reference Numbers may have additional information following the Reference Number.

A Tear Drop symbol will indicate an application of a “wet” product such as oil, and the number inside the Tear Drop will correspond to the description in the Parts List.

Also, a number inside a hexagon will be the torque value required, in foot pounds, on the associated Reference Number. Items shown in the parts list that do not have Reference Numbers are shown for reference purposes only and are NOT available for purchase.

Unless otherwise specified, all Cap Screws or Bolts are Grade 5, cadmium or zinc plated; Hexagon Nuts for Grade 5 Screws or Bolts are Grade B; Hexagon Nuts for other Screws or Bolts are Grade A.

**NOTE:** *The following abbreviations may be used herein:*

AR	– As Required
ASSD	– Assembled
ASSY	– Assembly
CB	– Carriage Bolt
CCW	– Counterclockwise
CP	– Cotter Pin
CS	– Cap Screw (Hexagon Head)
CTR	– Center
CW	– Clockwise
DEG	– Degree
DIA	– Diameter
FCS	– Flanged Cap Screw
FHMS	– Flat Head Machine Screw
FL	– Flanged
FLN	– Flanged Lock Nut (Hexagon)
FLS	– Flanged Lock Screw (Hexagon)
FW	– Flat Washer
GA	– Gauge
GR	– Grade
HD	– Hard or Head
HN	– Hex Nut
INCL	– Includes
JT	– Joint
LG	– Large
LH	– Left Hand
LN	– Lock Nut
LW	– Lock Washer
M	– Metric
MM/mm	– Millimeter
NF	– National Fine
PB	– Plow Bolt
PTO	– Power Take Off
RH	– Right Hand
RHMS	– Round Head Machine Screw
RPM	– Revolutions Per Minute
RT	– Right
SERR	– Serrated
SHCS	– Socket Head Cap Screw
SHSS	– Socket Head Set Screw
SN	– Serial Number or Slotted Nut
SQ	– Square
T	– Tooth or Teeth
TFS	– Thread Forming Screw
THMS	– Truss Head Machine Screw
THRD	– Thread
WLDMT	– Weldment
#	– Number
	– Torque Required in foot pounds
	– Indicates a Fluid Application

# TABLE OF CONTENTS

Introduction .....	Inside Front Cover
Table of Contents .....	1
Decal Locations .....	2-7
Frame & Attachment Lift .....	8-9
Tongue & Driveline .....	10-11
Cylinder & Cutting Mechanism .....	12-15
Knife Sharpener .....	16-19
Attachment Drive .....	20-21
Feed Roll Drive Frame .....	22-23
Roll Arm Assemblies .....	24-25
Feed Rolls - Left Side .....	26-29
Feed Rolls - Right Side .....	30-31
Metal Detector Components .....	32-33
Shrouding .....	34-35
Blower & Drive .....	36-39
Auger & Drive .....	40-43
Crop Processor Drive .....	44-45
Deflector & Cap .....	46-49
Hydraulics .....	50-51
Control Box (Mounting, Wiring & Components) .....	52-55
Metal Stop™ Amplifier Box .....	56
Overload Switch .....	57
Cylinder to Auger Components .....	58-59
Mill Components .....	60-63
Shields & Covers .....	64-67
Shifter Transmission .....	68-69
Bevel Transmission .....	70-71
Auger Transmission .....	72
Lower Front Detector Roll .....	73
Hitchjack .....	74
Universal Drives .....	75-77
Optional Single Axles & Wheels .....	78
Optional Tandem Axles & Wheels .....	79
Accessories .....	80-84
Safety Chain .....	80
Transport Lighting Package .....	80
Mill Storage Stand .....	81
Horizontal Deflector Extensions (3-1/2 & 5-1/2-Ft) .....	82
Deflector Tripod Kit .....	83
Deflector Tripod Extension .....	83
Torque Sensor Unit Harness Extension Wiring Kit .....	84
Torque Sensor Unit 2nd Tractor Wiring Kit .....	84
1-Ft. Vertical Extension .....	84
2-Ft. Vertical Extension .....	84
Service Kits - Electrical Connectors .....	85
Alphabetical Index .....	86
Numerical Index .....	87-96
Standard Hardware Torque specifications .....	Inside Back Cover

**Thanks for your reading.**

**Please click here to download complete manual instantly.**

**And can also choose other manuals.**

**Feel free --->write to me with any questions.**

**Our service email:**

**manuals007@hotmail.com**