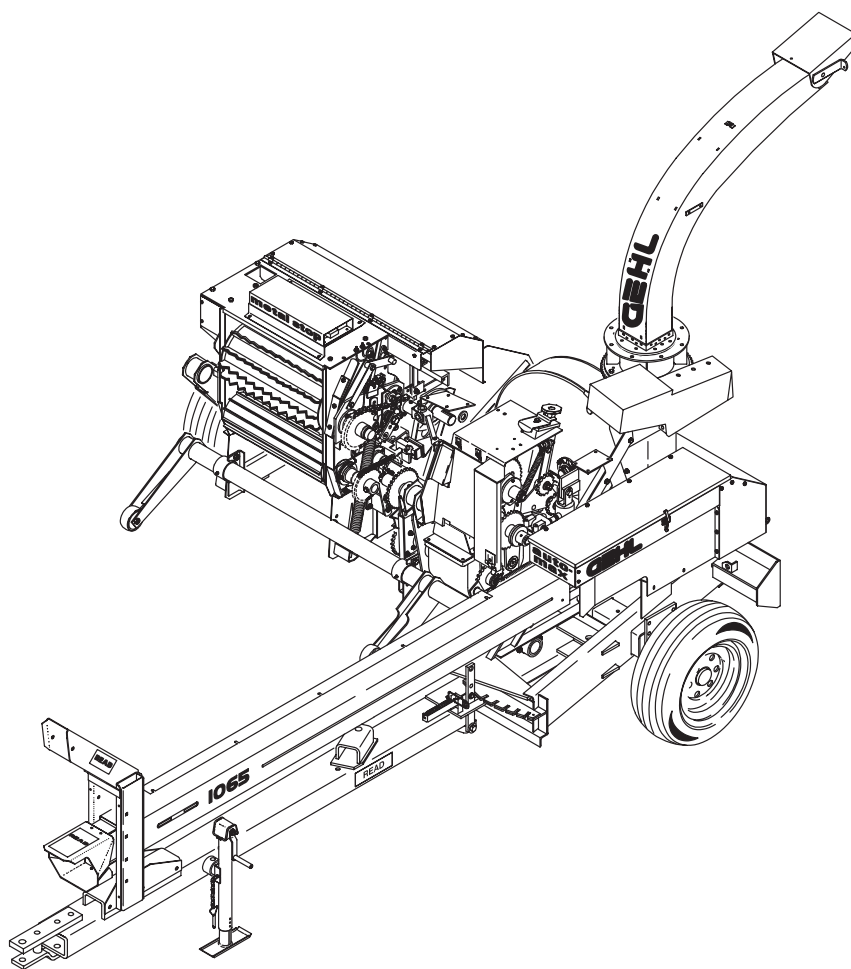


Form No.
907521
Replaces
907056

1060/1065

(1060 After SN8500
and All 1065's)

Forage Harvesters



PARTS MANUAL

GEHL® AGRICULTURE

Introduction

When ordering service parts, specify the correct part number, full description, quantity required, the unit model number and serial number.

The model and serial number for this unit is on a plate located on the right side of the Main Frame adjacent to the Cylinder Shaft Bearing.

“Right” and “Left” are determined from a position standing behind the unit and facing the direction of travel. From this position the Bevel Gearbox and Main Drive Shaft are on the “Left” side.

GEHL® Company reserves the right to make changes or improvements in the design or construction of any part of the unit without incurring the obligation to install such changes on any previously delivered units.

NOTE: *On original tire replacement, company policy prohibits the sale of replacement tires for all GEHL machinery. Replacement Wheel Sets are available and tire size information is called out with the Wheel Sets to facilitate replacement tire selection. ALL REPLACEMENT TIRES MUST BE PURCHASED LOCALLY.*

Refer to the abbreviations table located on this page for the various fastener descriptions. Standard attaching hardware torque values are also provided on the inside back cover.

In the exploded view parts list, Reference Numbers may have additional information following the Reference Number.

A Tear Drop symbol will indicate an application of a “wet” product such as oil, and the number inside the Tear Drop will correspond to the description in the Parts List.

Also, a number inside a hexagon will be the torque value required, in foot pounds, on the associated Reference Number. Items shown in the parts list that do not have Reference Numbers are shown for reference purposes only and are NOT available for purchase.

Unless otherwise specified, all Cap Screws or Bolts are Grade 5, cadmium or zinc plated; Hexagon Nuts for Grade 5 Screws or Bolts are Grade B; Hexagon Nuts for other Screws or Bolts are Grade A.

NOTE: *The following abbreviations may be used herein:*

AR	– As Required
ASSD	– Assembled
ASSY	– Assembly
CB	– Carriage Bolt
CCW	– Counterclockwise
CP	– Cotter Pin
CS	– Cap Screw (Hexagon Head)
CTR	– Center
CW	– Clockwise
DEG	– Degree
DIA	– Diameter
FCS	– Flanged Cap Screw
FHMS	– Flat Head Machine Screw
FL	– Flanged
FLN	– Flanged Lock Nut (Hexagon)
FLS	– Flanged Lock Screw (Hexagon)
FW	– Flat Washer
GA	– Gauge
GR	– Grade
HD	– Hard or Head
HN	– Hex Nut
INCL	– Includes
JT	– Joint
LG	– Large
LH	– Left Hand
LN	– Lock Nut
LW	– Lock Washer
M	– Metric
MM/mm	– Millimeter
NF	– National Fine
PB	– Plow Bolt
PTO	– Power Take Off
RH	– Right Hand
RHMS	– Round Head Machine Screw
RPM	– Revolutions Per Minute
RHTFS	– Round Head Thread-forming Screw
RT	– Right
SERR	– Serrated
SHCS	– Socket Head Cap Screw
SHSS	– Socket Head Set Screw
SN	– Serial Number or Slotted Nut
SQ	– Square
T	– Tooth or Teeth
TFS	– Thread Forming Screw
THMS	– Truss Head Machine Screw
THRD	– Thread
WLDMT	– Weldment
#	– Number
	– Torque Required in foot pounds
	– Indicates a Fluid Application

TABLE OF CONTENTS

Introduction	Inside Front Cover
Table of Contents	1
Decal Locations	2-9
Frame & Attachment Lift	10-11
Tongue & Driveline	12-13
Cylinder & Cutting Mechanism	14-17
Knife Sharpener	18-21
Implement Drive	22-23
Feed Roll Drive Frame	24-25
Feed Roll (Common Parts)	26-31
Rolls, Drive & Components (Metal Detector)	32-33
Roll Arm Assemblies	34
Overrunning Clutch	35
Spinner & Drive	36-37
Blower & Drive	38-41
Toolbox	42-43
Shields & Covers - Rear	44-45
Deflector & Cap	46-49
Hydraulics	50-51
Control Box Mounting & Wiring	52-55
Metal Stop Amplifier Box	56
Control Box Components	57-59
Tunnel & Overload Switch	60
Lower Front Detector Roll	61
Shifter Transmission	62-63
Bevel Transmission	64-65
Spinner Transmission	66
Hitchjack	67
Hydraulic Components	68
Universal Drives	69-71
Optional Single Axles & Wheels	72
Optional Tandem Axles & Wheels	73
Optional Flotation Axles & Wheels	74
Accessories	75-81
Vertical Extensions (6", 1-Ft & 2-Ft)	75
Horizontal Deflector Extensions (3-1/2 & 5-1/2)	76
Deflector Tripod Kit	77
Offset Trailer Hitch	78
Safety Chain	78
Transport Lighting Package	78
Wet Crop Deflector	79
Screen Mounting Kit	79
Square-holed Screens	79
Harness Extension Wiring Kits (Torque Sensor & Shear Bolt)	80
2nd Tractor Wiring Kits (Torque Sensor & Shear Bolt)	80
Hydraulic Tongue Control	81
Long Cut Kit	81
Service Kits - Electrical Connectors	82
Alphabetical Index	83
Numerical Index	84-92
Standard Hardware Torque Specifications	Inside Back Cover

Thanks for your reading.

Please click here to download complete manual instantly.

And can also choose other manuals.

Feel free --->write to me with any questions.

Our service email:

manuals007@hotmail.com