

Form No.
907844

SL5635/6635

Series II

Skid Steer Loaders



PARTS BOOK

GEHL®

Introduction

For your safety and continued proper operation, use only genuine GEHL® service parts. When ordering service parts, specify the correct part number, full description, quantity required, the unit model number and serial number.

The model and serial numbers for this unit are on a decal located inside the right chassis riser, between the lift arm and inner riser. “Right” and “Left” are determined from a position sitting on the seat and facing forward.

GEHL Company reserves the right to make changes or improvements in the design or construction of any part of the unit without incurring the obligation to install such changes on any previously delivered units.

NOTE: *Purchase equivalent, quality tires for your loader. Contact your dealer for replacement tire information.*

NOTE: *Replacement batteries are not provided by the GEHL Company. For battery specifications see “Engine Harness and Battery” chapter. ALL REPLACEMENT BATTERIES MUST BE PURCHASED LOCALLY.*

Refer to the abbreviations table located on this page for the various fastener descriptions. Standard attaching hardware torque values are also provided on the inside back cover. **If a part requires lubrication or a nonstandard torque value, it will be specified behind the part number description in parenthesis.**

Items shown in the parts list that do not have part numbers are shown for reference purposes only and are NOT available for purchase.

Dimensions are in inches unless otherwise specified.

NOTE: *The following abbreviations and symbols may be used herein:*

| | |
|-------------------|---------------------------------|
| AMP | Ampere |
| AR | As Required |
| ASSY | Assembly |
| CCA | Cold Cranking Amperage |
| CYL | Cylinder |
| FRT | Front |
| FL | Flare |
| GA | Gauge |
| HEX | Hexagon |
| JIC | Joint Industrial Council |
| kW | Kilowatt |
| LBS | Pounds |
| LT | Left |
| M. | Metric |
| MM (mm) | Millimeter |
| NA | Naturally Aspirated |
| N/A | Not Applicable |
| NEG | Negative |
| NILN. | Nylon Insert Lock Nut |
| NO | Number |
| NPT | National Pipe Thread |
| OPER | Operator |
| POS | Positive |
| PSI | Pounds per Square Inch |
| QTY | Quantity |
| REF | Reference |
| REQ'D. | Required |
| ROPS | Roll Over Protective Structure |
| RPM | Revolutions Per Minute |
| RT | Right |
| SAE | Society of Automotive Engineers |
| SN | Serial Number |
| SQ | Square |
| ST | Straight |
| TURBO | Turbocharger |
| V. | Volt |

TABLE OF CONTENTS

DESCRIPTION

PAGE

SECTION A: MAIN LOADER COMPONENTS

| | |
|---|----|
| Chassis | 1 |
| Wheel Drives | 3 |
| Engine | 5 |
| Air Cleaner and Muffler | 7 |
| Oil Cooler | 9 |
| Hydrostatic System - Single and Two Speed. | 11 |
| Hydraulics - Chassis | 15 |
| Hydraulics - Chassis - Main Control Valve | 19 |
| Hydraulics - Lift Arm | 23 |
| Auxiliary Hydraulic Controls | 27 |
| Controls - Lift and Tilt | 33 |
| Controls - Traction | 39 |
| Controls - Engine. | 45 |
| Lift Arm and All-Tach™ Attachment System | 49 |
| ROPS and Seat | 51 |
| Restraint Bar | 55 |
| Sound Suppression | 57 |
| Grille and Engine Cover | 61 |
| Electrical - Instrument Panel/Harness | 63 |
| Electrical - Engine Harness/Battery | 65 |
| Electrical - Lights. | 67 |
| Decals. | 70 |

SECTION B: HYDRAULIC COMPONENTS

| | |
|--|-----|
| Lift Cylinder | 77 |
| Tilt Cylinder | 79 |
| Drive Motor and Parking Brake - Single and Two Speed | 81 |
| Tandem Pump | 85 |
| Gear Pump - Standard | 89 |
| Gear Pump - High-Flow | 91 |
| Main Control Valve | 93 |
| Self-Level Valve | 95 |
| Solenoid Valves - Lift and Tilt. | 97 |
| Solenoid Valve - Brake. | 99 |
| Valve - High-Flow | 101 |

(continued on next page)

TABLE OF CONTENTS

DESCRIPTION

PAGE

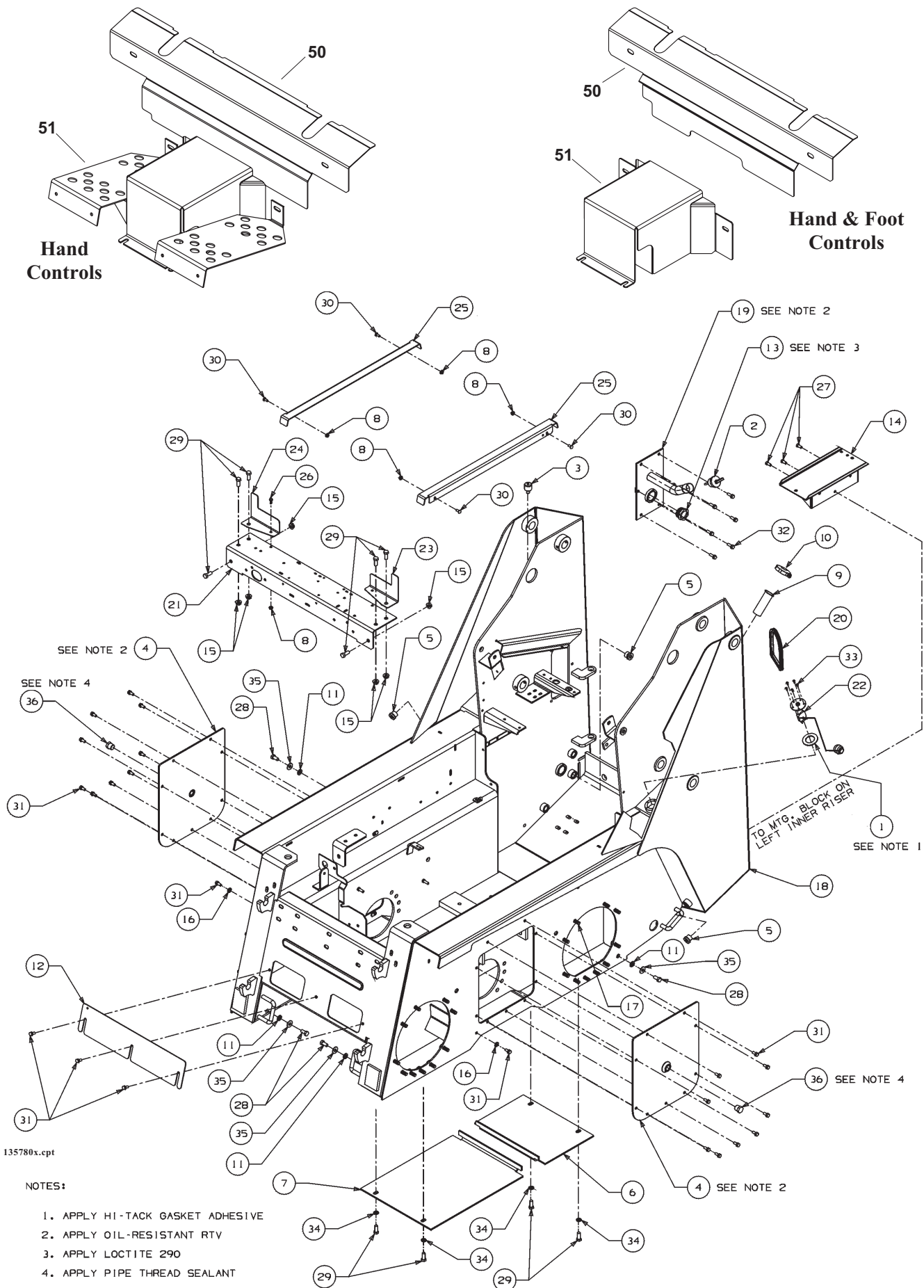
SECTION C: ACCESSORIES

| | |
|--|-------------------|
| Back-up Alarm Kit 807190 | 105 |
| Cab - Side Window Kit 806914 | 106 |
| Cab - Top Window Kit 806843 | 106 |
| Backhoe Hydraulic Kit 806913 | 107 |
| Cab - Front Door Kit 807292 | 108 |
| Cab - Impact Resistant Front Door Kit 807330 | 109 |
| Cab - Side-Mounted Heater Kit 807833 (<i>see also High-Output below</i>) | 110 |
| Cab - Wiper Kit 806917 | 111 |
| Upper Auxiliary Tube Kit 807075. | 111 |
| Dual Flasher Kit 806920. | 112 |
| Horn Kit 806923. | 113 |
| Rear Counterweight Kit 806919. | 114 |
| Rearview Mirror Kit 806894 | 114 |
| Strobe Light Kit 805803. | 115 |
| Centrifugal Pre-Cleaner Kit 808204. | 115 |
| Engine Auto-Shutdown System Kit 806918 | 116 |
| Airboss Solid Segmented Tire Repair Parts | 117 |
| Loeering Trailblazer Tracks Spacer Kit 134209 | 118 |
| Lifting Lug Kit 807083 | 119 |
| Cab - High-Output Heater Kit 807824 | 120 |
| Double Gas Spring Kit 807376 | 121 |
| Crossmember Auxiliary Tube Kit 807814 | 122 |
| Other Available Accessories | 123 |
| | |
| Numerical Index | 124 |
| O-Ring Table, Coupling & Adapter Torque Table | 131 |
| Torque Specifications Table. | Inside Back Cover |

SECTION A: MAIN LOADER COMPONENTS

| | |
|---|----|
| Chassis | 1 |
| Wheel Drives | 3 |
| Engine | 5 |
| Air Cleaner and Muffler | 7 |
| Oil Cooler | 9 |
| Hydrostatic System - Single and Two Speed. | 11 |
| Hydraulics - Chassis | 15 |
| Hydraulics - Chassis - Main Control Valve | 19 |
| Hydraulics - Lift Arm | 23 |
| Auxiliary Hydraulic Controls | 27 |
| Controls - Lift and Tilt | 33 |
| Controls - Traction | 39 |
| Controls - Engine. | 45 |
| Lift Arm and All-Tach™ Attachment System | 49 |
| ROPS and Seat | 51 |
| Restraint Bar | 55 |
| Sound Suppression | 57 |
| Grille and Engine Cover | 61 |
| Electrical - Instrument Panel/Harness | 63 |
| Electrical - Engine Harness/Battery | 65 |
| Electrical - Lights. | 67 |
| Decals. | 70 |

SL56/6635 SERIES II SKID LOADERS - CHASSIS



135780x.ept

NOTES:

1. APPLY HI-TACK GASKET ADHESIVE
2. APPLY OIL-RESISTANT RTV
3. APPLY LOCTITE 290
4. APPLY PIPE THREAD SEALANT

Thanks for your reading.

Please click here to download complete manual instantly.

And can also choose other manuals.

Feel free --->write to me with any questions.

Our service email:

manuals007@hotmail.com