

SL3725 & SL3825 Skid Loaders

Form No.
907204
Replaces
906595



PARTS BOOK

Gehl®

INTRODUCTION

All parts should be obtained from or ordered through your Gehl dealer. When ordering service parts, specify the correct part number, full description, quantity required, the unit model number and serial number.

The model and serial numbers for this unit are on a decal located inside the right chassis riser, between the lift arm and lift cylinder. "Right" and "left" are determined from a position sitting on the seat and facing forward.

Gehl® Company reserves the right to make changes or improvements in the design or construction of any part of the unit without incurring the obligation to install such changes on any previously delivered units.

NOTE: *On original tire replacement, company policy prohibits the sale of replacement tires for all Gehl machinery. Replacement wheel sets are available and tire size information is called out with the wheel sets to facilitate replacement tire selection. ALL REPLACEMENT TIRES MUST BE PURCHASED LOCALLY.*

NOTE: *Replacement batteries are not provided by the Gehl Company. For battery specifications, refer to the pages titled "Wiring & Electrical Components." ALL REPLACEMENT BATTERIES MUST BE PURCHASED LOCALLY.*

Refer to the abbreviations list located on this page for the various fastener descriptions. Standard attaching hardware torque values are also provided on the inside back cover.

Items shown in the parts list that do not have part numbers are shown for reference purposes only and are NOT available for purchase.

Dimensions are in inches unless otherwise specified.

All cap screws or bolts are grade 5, cadmium or zinc plated; hexagon nuts for grade 5 screws or bolts are grade B; hexagon nuts for other screws or bolts are grade A, unless otherwise specified.

For replacement decals and their locations, refer to the *Safety* and *Decal Locations* chapters of the Operator's manual.

Refer to the Operator's manual for additional information regarding Gehl attachments and accessories.

NOTE: *The following abbreviations may be used herein:*

AR	As Required
ASSY	Assembly
CB	Carriage Bolt
CS	Cap Screw
FHSCS	Flat Head Slotted Counter Sunk Screw
FL	Flange
FT	Foot or Feet
HEX	Hexagon
HWHTC	Hex Washer Head Thread Cutting Screw
HYD	Hydraulic
ID	Inside Diameter
JN	Jam Nut
L	Lock Washer
LN	Lock Nut
LP	Low Pressure
M	Metric
MM	Millimeter
N	Nut (Hex)
NF	National Fine (Thread)
NILN	Nylon Insert Lock Nut
NO	Number
P	Plain Washer
REF	Reference
RHMS	Round Head Machine Screw
SGL	Sure Grip® Lug
SHCS	Socket Head Cap Screw
SHSS	Socket Head Set Screw
TEMP	Temporary
TFS	Thread Forming Screw
THD	Thread
THMS	Truss Head Machine Screw
UNC	Unified National Coarse
UNF	Unified National Fine

All-Tach, Quick-Tach and Hydraloc are trademarks of the Gehl Company.
Gehl and Powerview are registered trademarks of the Gehl Company.
Sure Grip is a registered trademark of the Goodyear Tire & Rubber Company.
Ford is a registered trademark of the Ford Motor Company.
Kubota is a registered trademark of the Kubota Corporation.
Littelfuse is a registered trademark of Littelfuse Incorporated.

Table of Contents

Main Loader Components

Chassis, Fuel Tank, Grille & Access Covers	1
Wheel Drives	3
Hydrostatic System.	5
Hydraulic Pump	9
Lift/Tilt Hydraulics	11
Auxiliary Hydraulics	13
Self-Level Hydraulics	15
Throttle Controls	17
Lift/Tilt T-Bar	19
Traction T-Bar.	21
Parking Brake	23
Lift Arm & Gehl Quick-Tach™ System	25
ROPS, Seat & Engine Cover	27
Sound Deadening	29
Gasoline Engine	31
Diesel Engine	33
Air Cleaner, Muffler & Radiator	35
Wiring & Electrical Components	39
Horn.	47
Battery Disconnect Switch	48
Backup Alarm	49
Instrument Panel	51

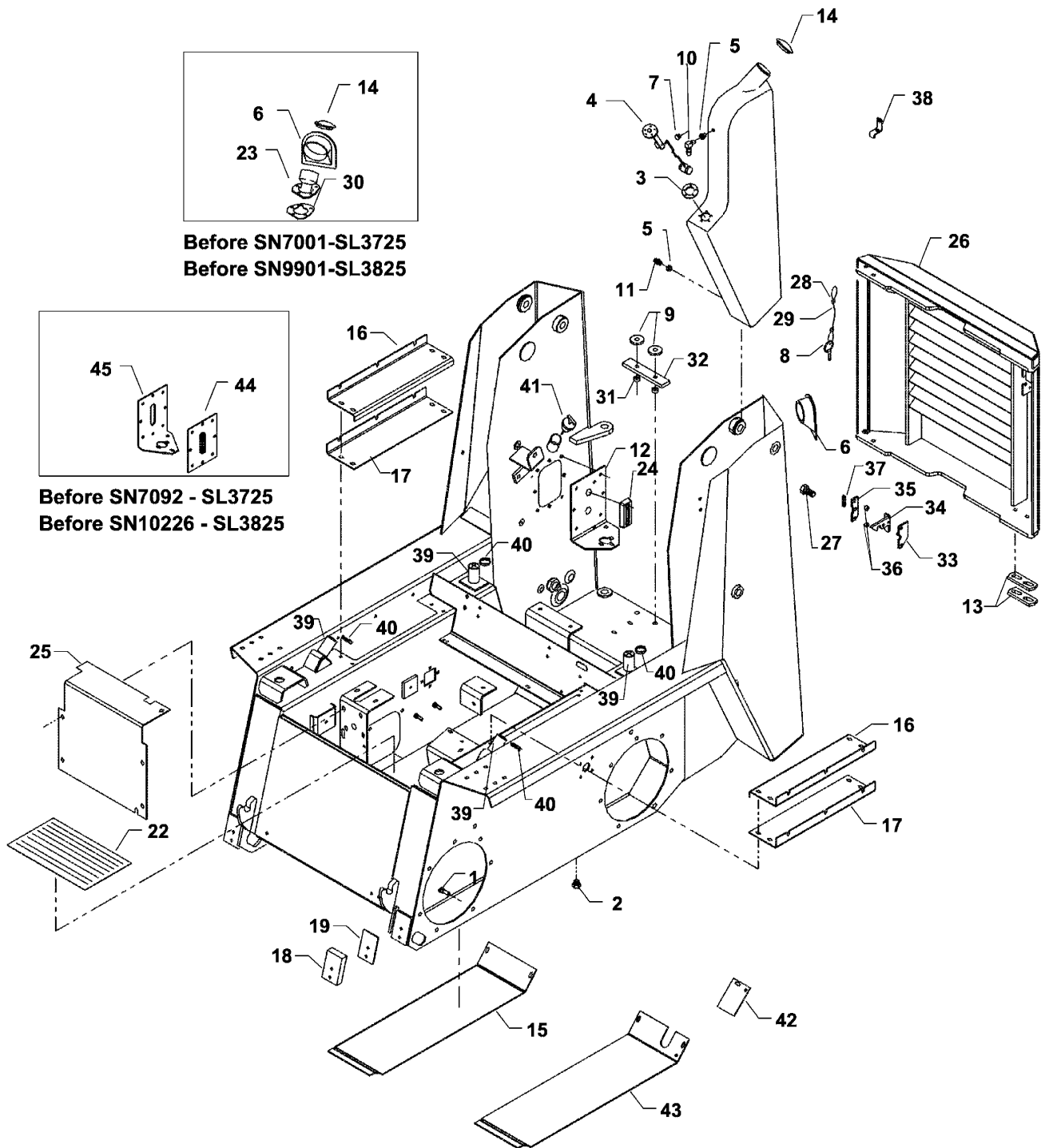
Hydraulic Components

Self-Level Valve.	57
Auxiliary Valve	59
Tilt Cylinder	60
Lift Cylinder	61
Grapple Fork Cylinder.	62
Gear Pump	63
System Control Valve	64
Piston Motor.	65
Front Piston Pump - Gear Pump End.	67
Rear Piston Pump - Engine End	71
Lift/Tilt Solenoid Valve	75
Brake Solenoid Valve	76
Spring Applied Parking Brake.	77

Attachments

Buckets	78
Pallet Fork.	79
Utility Fork.	80
Grapple Fork	81
Numerical Index.	83
O-Ring Table, Coupling & Adapter Torque Table.	91
Torque Specifications	92

SL3725/3825 - CHASSIS, FUEL TANK, GRILLE & ACCESS COVERS



Before SN7001-SL3725
Before SN9901-SL3825

Before SN7092 - SL3725
Before SN10226 - SL3825

Ref. No.	Part No.	Description	SL3725	Quantity SL3825	SL3825SX
1	135293	BOLT/WHEEL	26	26	26
	129055	NUT/SPIRALOCK™ 1/2	26	26	26
2	057569	PLUG/DRAIN MAGNETIC	2	2	2
3	072343	GASKET/FUEL SENDER	1	1	1
4	072802	SENDER/FUEL LEVEL	1	1	1
	651312	SCREW/MACHINE CROSS RECESS HEAD #10-24 X 1/2	5	5	5
5	073024	BUSHING/FUEL TANK	2	2	2
6	073115 _c	GUARD/SPILL	1	1	1
	073115 _d	GUARD/SPILL	2	2	2

Thanks for your reading.

Please click here to download complete manual instantly.

And can also choose other manuals.

Feel free --->write to me with any questions.

Our service email:

manuals007@hotmail.com