

SL1640E

SL1640E (EU)

GEHL®

Form No.
917374

Revision C
04/10

Skid-Steer Loader



PARTS MANUAL

Introduction

For your safety and continued proper operation, use only genuine GEHL® service parts. When ordering service parts, specify the correct part number, full description, quantity required, the unit model number and serial number.

The model and serial number decal for this unit is located on the left chassis upright. “Right” and “Left” are determined from a position sitting on the seat and facing forward.

GEHL® Company reserves the right to make changes or improvements in the design or construction of any part of the unit without incurring the obligation to install such changes on any previously delivered units.

NOTE: Purchase equivalent, quality tires for your loader. Contact your dealer for replacement tire information.

NOTE: Replacement batteries are not provided by the GEHL Company. For battery specifications see “Electrical-Chassis” chapter. **ALL REPLACEMENT BATTERIES MUST BE PURCHASED LOCALLY.**

Refer to the abbreviations table located on this page for the various fastener descriptions. Standard attaching hardware torque values are also provided on the inside back cover. **If a part requires lubrication or a nonstandard torque value, it will be specified behind the part number description in parenthesis.**

Items shown in the parts list that do not have part numbers are shown for reference purposes only and are NOT available for purchase.

Dimensions are in inches unless otherwise specified.

NOTE: The following abbreviations and symbols may be used herein:

A	Ampere
AR	As Required
ASSY	ASSY
AUX	Auxiliary
CCA	Cold Cranking Amperage
CYL	Cylinder
DH	Dual Hand
DJS	Dual Joystick
FL	Flare
FOPS	Falling Object Protective Structure
GA	Gauge
HEX	Hexagon
H/F	Hand/Foot
HF	High-Flow
HYD	Hydraulic
JIC	Joint Industrial Council
kW	Kilowatt
LBS	Pounds
M	Meter
MM (mm)	Millimeter
NA	Naturally Aspirated
N/A	Not Applicable
NEG	Negative
N•m	Newton meter
NO	Number
NPT	National Pipe Thread
PN	Part Number
POS	Positive
PSI	Pounds per Square Inch
QTY	Quantity
REF	Reference
REQ'D	Required
ROPS	Roll Over Protective Structure
RPM	Revolutions Per Minute
SAE	Society of Automotive Engineers
SN	Serial Number
SQ	Square
ST	Straight
TB	T-Bar
TB/JS	T-Bar/Joystick
TURBO	Turbocharger
V	Volt

TABLE OF CONTENTS

DESCRIPTION	PAGE
-------------	------

SECTION A: MAIN LOADER COMPONENT

Chassis	1
ROPS/FOPS Structure/Interior	3
Restraint Bar	5
Seat and Seat Belt Options	7
Lift Arm	11
Attachment Bracket	13
Wheel Drives	15
Engine with Engine Controls	17
Air Cleaner and Exhaust	19
Radiator/Cooler	21
Hydrostatic System with Drive Motors	23
Drive Motors with Brake Release Valve	25
Hydraulics - Chassis, Non-Self Level and Self-Level	27
Hydraulics - Lift Arm	31
Controls - Lift/Tilt and Wheel Drives	33
Electrical - Chassis, Engine Disconnect and Backup Alarm	41
Electrical - ROPS/FOPS	47
Electrical - Lights and Rearview Mirror	49
Four-Point Lift and Horn Kit	51
Sound Suppression	53
Tires	55
Decals	58

SECTION B: HYDRAULIC COMPONENTS

Lift Cylinder	67
Tilt Cylinder	69
Tandem Pump	71
Gear Pump	73
Self-Leveling Valve	75
Solenoid Valves - Lift and Tilt	77
Solenoid Valves - Brake and Brake Release	79
Main Control Valve	81
Drive Motors with Parking Brake	83

(continued on next page)

TABLE OF CONTENTS

DESCRIPTION	PAGE
-------------	------

SECTION C: KITS AND ACCESSORIES

Analysis Kits, Filter Chart and Other Available Accessories	88
Rear View Mirror Kit 806894	89
Strobe Lamp Kit 808279	89
Backup Alarm Kit 811513	90
Dome Light Kit 811519	91
Horn Kit 811514	91
Cab Door Kit 811624	92-93
Cab Heater Kit 811622	94

SECTION D: SCHEMATICS

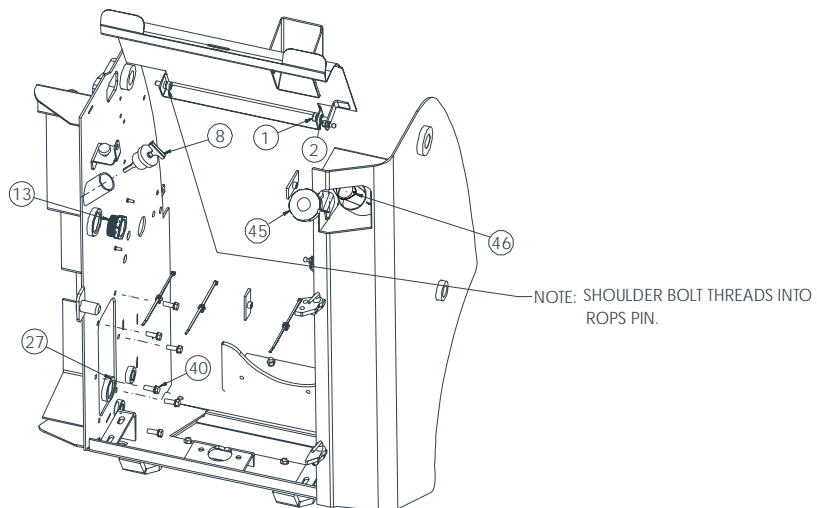
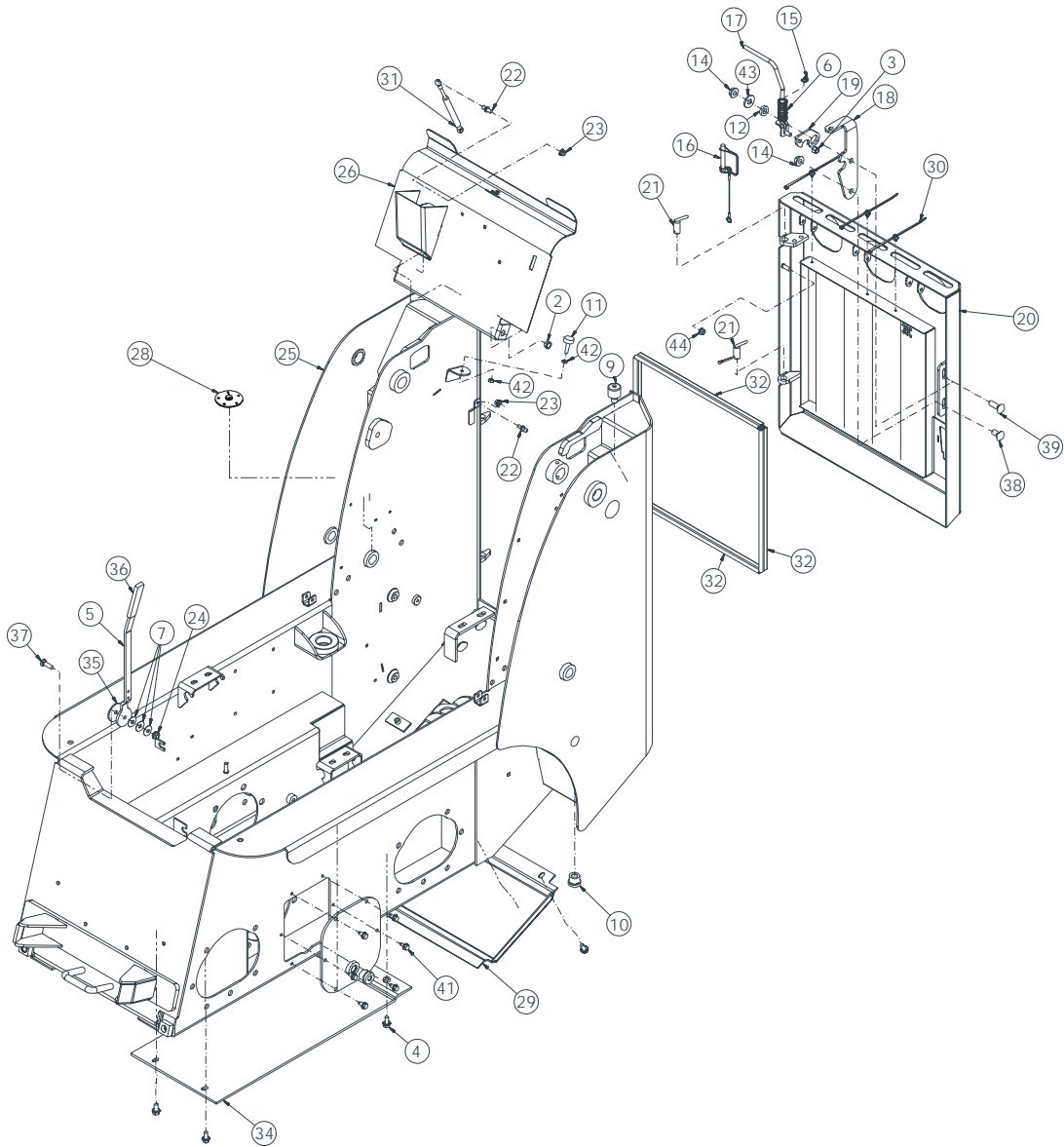
Hydrostatic/Hydraulic Schematic	98
Electrical Schematic	99

Numerical Index	100
O-Ring Table, Coupling & Adapter Torque Table	105
Torque Specifications Table	Inside Back Cover

SECTION A: MAIN LOADER COMPONENTS

Chassis	1
ROPS/FOPS Structure/Interior	3
Restraint Bar	5
Seat and Seat Belt Options	7
Lift Arm	11
Attachment Bracket	13
Wheel Drives	15
Engine with Engine Controls	17
Air Cleaner and Exhaust	19
Radiator/Cooler	21
Hydrostatic System with Drive Motors	23
Drive Motors with Travel Valve	25
Hydraulics - Chassis, Non-Self Level and Self-Level	27
Hydraulics - Lift Arm	31
Controls - Lift/Tilt and Wheel Drives	33
Electrical - Chassis, Engine Disconnect and Backup Alarm	41
Electrical - ROPS/FOPS	47
Electrical - Lights and Rearview Mirror	49
Four-Point Lift and Horn Kit	51
Sound Suppression	53
Tires	55
Decals	58

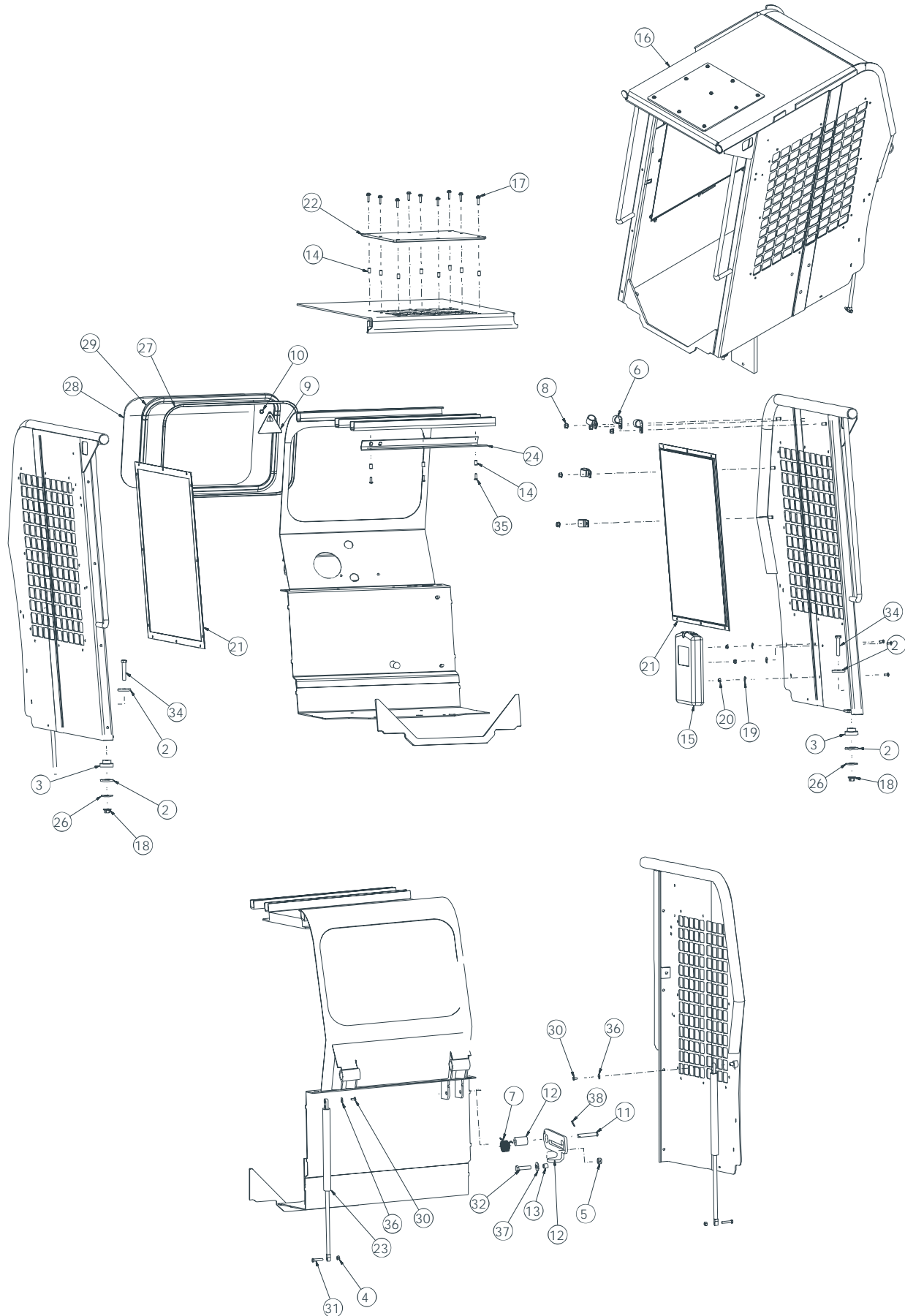
CHASSIS



CHASSIS

Ref. No.	Part No.	Description	Quantity
1	030-31926	BOLT/SHOULDER 1/2 X 3/8	2
2	045-31500	BUSHING/OILITE	2
3	067847	NUT/HEX LOCK 3/8	1
4	076588	SCREW/CAP WHIZLOCK 3/8 X 3/4	6
5	090-32511	HANDLE/ THROTTLE	1
6	114665	SPRING/COMPRESSION	1
7	124078	WASHER/BELLEVILLE 3/8	3
8	127342	CAP/HYDRAULIC RESERVOIR	1
9	128591	BREATHER/HYDRAULIC RESERVOIR	1
10	131522	PLUG SAE12	4
11	131913	BUMPER	2
12	131940	BUSHING	1
13	134756	SIGHT PORT/OIL LEVEL	1
14	134853	NUT/SPIRALOCK™ 1/2	2
15	136251	CLIP/RETAINING	1
16	184664	PIN/LOCK	1
17	189832	ASSY/LATCH ROD	1
18	189833	LATCH	1
19	190045	LATCH/REAR DOOR	1
20	195759	GRILLE/REAR	1
21	195763	PIN/DOOR/LOWER	2
22	122485	STUD/BALL	2
23	210-19470	NUT/HEX SERRATED LOCK 5/16	2
24	210-19533	NUT/HEX CENTERLOCK 3/8	1
25	240047	CHASSIS	1
26	240529	COVER/ENGINE	1
27	241479	COVER ASSY/HYDRAULIC RESERVOIR	1
28	241646	SENSOR/FUEL	1
29	241666	BELLYPAN/REAR	1
30	242071	TIE/ZIP WITH CLIP	3
31	242212	GAS SPRING/RESTRAINT BAR	1
32	242380	SEAL/BULB 3/8 X 17-1/2	4
33	242581	COVER/CHAINCASE	2
34	242583	BELLYPAN/FRONT	1
35	400-32476	WASHER/FRICTION	1
36	420-34900	GRIP/THROTTLE	1
37	650786	BOLT/CARRIAGE 3/8 X 1-1/4	1
38	650811	BOLT/CARRIAGE 1/2 X 1	1
49	650834	BOLT/CARRIAGE 1/2 X 1-1/2	1
40	651042	SCREW/MACHINE HEX WASHER HEAD 3/8 X 1	6
41	651648	SCREW/TAPPING HEX WASHER HEAD THREAD FORMING 5/16 X 3/4	12
42	653034	NUT/HEX JAM 5/16	4
43	654009	WASHER/FLAT 1/2	1
44	131842	NUT/SPIRALOCK™ 5/16	1
45	132051	CAP/FUEL FILL	1
46	132050	STRAINER/FUEL FILL	1

ROPS/FOPS STRUCTURE



ROPS/FOPS STRUCTURE

Ref. No.	Part No.	Description	Quantity
2	057557	WASHER/FLAT 17/32	4
3	064543	MOUNTING/ISOLATOR	2
4	071701	NUT/HEX LOCK 5/16	2
5	071706	NUT/HEX LOCK 1/2	1
6	073535	CLAMP/TUBE	5
7	077794	SPRING/TORSION	1
8	090666	NUT/HEX FLANGE SERRATED LOCK 3/8	5
9	132166	TAG/RIP CORD	1
10	132294	RING	1
11	139987	PIN	1
12	187671	ROPS SUPPORT	1
13	187678	SPACER/TUBE	1
14	191737	INSERT/INTERNALLY THREADED	12
15	192194	HOLDER/MANUAL	1
16	194779	ROPS/FOPS	1
17	195522	SCREW/SEM 1/4 X 1-1/8	9
18	210-19530	NUT/HEX CENTERLOCK 1/2	2
19	210-32133	NUT/TINNERMAN FLAT 1/4	3
20	210-32147	NUT/SPECIAL 1/4	3
21	241370	WINDOW	1
22	242048	TOP WINDOW/ROPS	1
23	242172	GAS SPRING/ ROPS	2
24	242637	TOP HARNESS COVER	1
26	400-30803	WASHER/FLAT 17/32	2
27	420-34480	STRIP/LOCKING	1
28	420-36120	REAR WINDOW/ROPS	1
29	420-36133	SEAL/WINDOW	1
30	650542	SCREW/CAP 1/4 X 1/2	2
31	650577	SCREW/CAP 5/16 X 1-1/2	2
32	650585	SCREW/CAP 1/2 X 2	1
33	650758	BOLT/CARRIAGE 1/4 X 3/4	3
34	650850	SCREW/CAP 1/2 X 2-3/4	2
35	651308	SCREW/MACHINE CROSS RECESSED PAN HEAD 1/4 X 3/4	3
36	654002	WASHER/FLAT 1/4	2
37	654009	WASHER/FLAT 1/2	1
38	655006	PIN/COTTER 1/8 X 1	1

Thanks for your reading.

Please click here to download complete manual instantly.

And can also choose other manuals.

Feel free --->write to me with any questions.

Our service email:

manuals007@hotmail.com