

HL 2500 A LOADER



Service Parts Manual

Form No.
901572
Replaces
901353



HL2500A - INTRODUCTION

Mr. Dealer:

Give complete information when ordering service parts. Always give complete part number and also complete part description. The model number and serial number should always be given. Numbers for the HL2500A are stamped on a plate located on top and centered on the upper rear frame member.

"Right" and "Left" are determined from a position sitting on the Seat and looking forward. From this position, the Ignition Starter Switch is on the right. "Front" is the leading side and "Rear" is the trailing side when the unit is traveling forward.

Gehl Company reserves the right to make changes or improvements in the design or construction of any part without incurring the obligation to install such changes on any unit previously delivered.

TABLE OF CONTENTS

	Page
Introduction	2
Decal Locations	3
Main Frame	4-5
Engine	6
Console and Controls	7
Axle and Drive	8-9
Transmission	10
Load Arms	11
Hydraulic System	12-13
Electrical System	14
Optional Attachments	20
Buckets	15
Pallet Fork	16
Drawbar	16
Lights	16
Scarifier	17
Front Hydraulic Kit	18
Auxiliary Hydraulic Kit	18
Grapple Fork	19
Post Hole Auger	19
Flotation Tires	20
Relief Valve	20
Hydraulic Control Valve	21
Lift and Tilt Valve	22
Hydraulic Cylinders	23-25
Hydrostatic Transmission - Right	26
Hydrostatic Transmission - Left	27
Hydraulic Gear Pump	28
Numerical Index	29-31

Parts lists in this manual contain various abbreviations. Below is an explanation

HN	- Hexagon Nut
HJN	- Hexagon Jam Nut
HLN	- Hexagon Lock Nut
SN	- Slotted Nut
CN	- Castellated Nut
WN	- Wing Nut
PW	- Plain Washer
LW	- Lock Washer
ILW	- Internal Tooth Lock Washer
ELW	- External Tooth Lock Washer
L.H.	- Left-Hand Thread
NF	- National Fine Thread
S-L	- Self-Locking
DPT	- Double Pitch Tooth

DECAL LOCATIONS

Decal locations are shown to assist in application of new decals in the event of damage to the decal or refinishing of the machine. Check below for their locations.

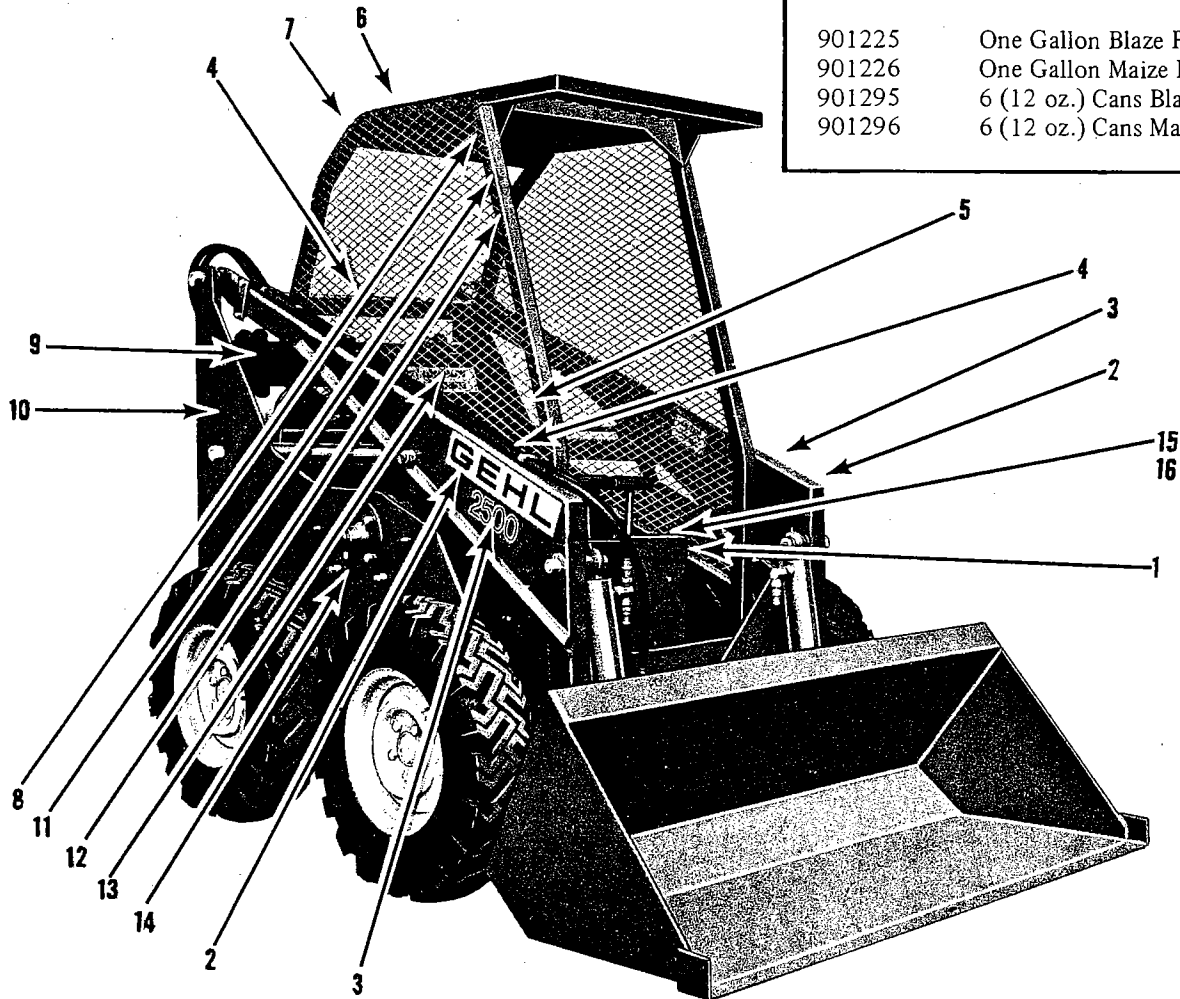
Surfaces must be free from dirt, dust, grease and other foreign material before applying decals. To apply decals, remove the smaller portion of the decal backing paper and apply this part of the exposed adhesive backing to the clean surface in respective position. Peel other portion of the backing paper off slowly and apply decal.

The Decal Set Number for HL2500A is 600251. The set includes the following Decals:

NOTICE

Order paint for refinishing machines from this list:

901225	One Gallon Blaze Paint
901226	One Gallon Maize Paint
901295	6 (12 oz.) Cans Blaze Spray Paint
901296	6 (12 oz.) Cans Maize Spray Paint



1	053753	Console - Warning	9	055634	Engine Oil
2	045698	Gehl 3 x 16 (Two Places)	10	058773	Hydraskat (Two Places)
3	052141	2500 (Two Places)	11	058835	Actuated Light
4	053354	Be Careful	12	055642	Carry Load Low (Two Places)
5	052433	Gasoline	13	055643	Fasten Seat Belt (Two Places)
6	054953	Hydraulic Oil	14	053358	Grease (Two Places)
7	058775	Gehl 2500	15	055632	Turtle
8	055636	Stop Engine	16	055633	Rabbit

NOTE: Always order decals by set number. **DO NOT** order decals separately.

IMPORTANT: Always observe safety rules shown on decals.

Thanks for your reading.

Please click here to download complete manual instantly.

And can also choose other manuals.

Feel free --->write to me with any questions.

Our service email:

manuals007@hotmail.com