

CTL60 CTL70 CTL80

GEHL®

Form No.
908307

Revision G
05/07

Compact Track Loaders



PARTS MANUAL

Introduction

For your safety and continued proper operation, use only genuine GEHL® service parts. When ordering service parts, specify the correct part number, full description, quantity required, the unit model number and serial number.

The model and serial number decal for this unit is located on the right rear riser. “Right” and “Left” are determined from a position sitting on the seat and facing forward.

GEHL Company reserves the right to make changes or improvements in the design or construction of any part of the unit without incurring the obligation to install such changes on any previously delivered units.

Refer to the abbreviations table located on this page for the various fastener descriptions. Standard attaching hardware torque values are also provided on the inside back cover.

Items shown in the parts list that do not have part numbers are shown for reference purposes only and are NOT available for purchase.

NOTE: *The following abbreviations and symbols may be used herein:*

AMP	Ampere
AR	As Required
ASSY	Assembly
CCA	Cold Cranking Amperage
CYL	Cylinder
FRT	Front
FL	Flare
GA	Gauge
HEX	Hexagon
JIC	Joint Industrial Council
kW	Kilowatt
LBS	Pounds
LT	Left
M.	Metric
MM (mm)	Millimeter
NA	Naturally Aspirated
N/A	Not Applicable
NEG	Negative
NILN.	Nylon Insert Lock Nut
NO	Number
NPT	National Pipe Thread
OPER	Operator
POS	Positive
PSI	Pounds per Square Inch
QTY	Quantity
REF	Reference
REQ'D.	Required
ROPS	Roll Over Protective Structure
RPM	Revolutions Per Minute
RT	Right
SAE	Society of Automotive Engineers
SN	Serial Number
SQ	Square
ST	Straight
TURBO	Turbocharger
V.	Volt

TABLE OF CONTENTS

DESCRIPTION

PAGE

SECTION A: MAIN LOADER COMPONENTS

Track Roller A and B	1
Front Idler	3
Track Adjuster	5
Travel Device	6
Crawler Belt	11
Mainframe	12
Lift Arm Stop (with Hook Assembly)	13
Operation Lever and Stand	15
Piping; Operation Lever	16
Engine and Accessories	28
Drain Plug	63
Control Box - Right and Left	64
Engine Control	66
Electrical	71
Battery	95
Rear Lamp	99
Maintenance Light Socket	102
Room Lamp	103
Control Valve and Accessories	104
Piping; Hydraulic Tank and Drive Motors	113
Pump Drive	134
Hydraulic Tank	138
Fuel Tank and Fuel Piping	141
Covers - Rear Grille and Engine	151
Floor Frame	175
Seat and Seat Components	180
Restraint Bar	185
ROPS (with lights and harness)	188
Mirrors - Rear and Rearview, plus Manual Box	197
Lift Arm	201
Attachment System	207
Piping; Lift Arm	208
Auxiliary Hydraulics	231
Rear Auxiliary Line	233
Decals	236

(Table of Contents continued on next page)

TABLE OF CONTENTS

DESCRIPTION

PAGE

SECTION B: HYDRAULIC COMPONENTS

Control Valve	245
Inlet Housing Assembly	247
Block Assemblies	248
Self-Level Valve.	251
Pilot Valve - Right and Left	254
Handle Assemblies (Slide and Three-Switch).	262
Sub Valve	264
Remote Control Valve.	265
Lift Cylinder	266
Tilt Cylinder	269
Travel Motors	272
Hydraulic Pump	290
Gear Pump	298
Proportional Valve.	300

SECTION C: KITS AND ACCESSORIES

Available Kits and Filters Listing	302
810092 and 810121 Pre-Cleaner Kit	305
810432 Pre-Cleaner Kit	306
810460 and 810637 Pre-Cleaner Kit	306
810200 Door Kit (replaced by 810831).	307
810946 Universal Radio Kit.	308
810831 Door Kit.	309
810384 Door Kit.	310
810505 ROPS/FOPS Gas Spring Replacement	313
Auxiliary Couplers - New and Old	313
810211 Cab Heater Kit - CTL60/80.	314
810430 Cab Heater Kit - CTL70	315
810209 HVAC Kit - CTL60.	316
810477 HVAC Kit - CTL60 (with 4TNV98-YTBL Engine)	320
810388 HVAC Kit - CTL70.	323
810210 HVAC Kit - CTL80.	326
810334 HVAC Kit - CTL80.	328
191135 Compressor Mount Retrofit Kit - CTL70.	330
810380 and 810381 Side Window Kits	331
810095 and 910096 Side Window Kits - CTL60/80 (replaced by 810462 and 810464)	332
810901 and 810903 Side Window Kits - Generation II HVAC System	333
810898 Impact-Resistant Front Door Kit	334
811171 (CTL60), 811172 (CTL70), 811173 (CTL80) HVAC Kits -Generation II HVAC System	335
Unillustrated Kits - Bill of Material	349

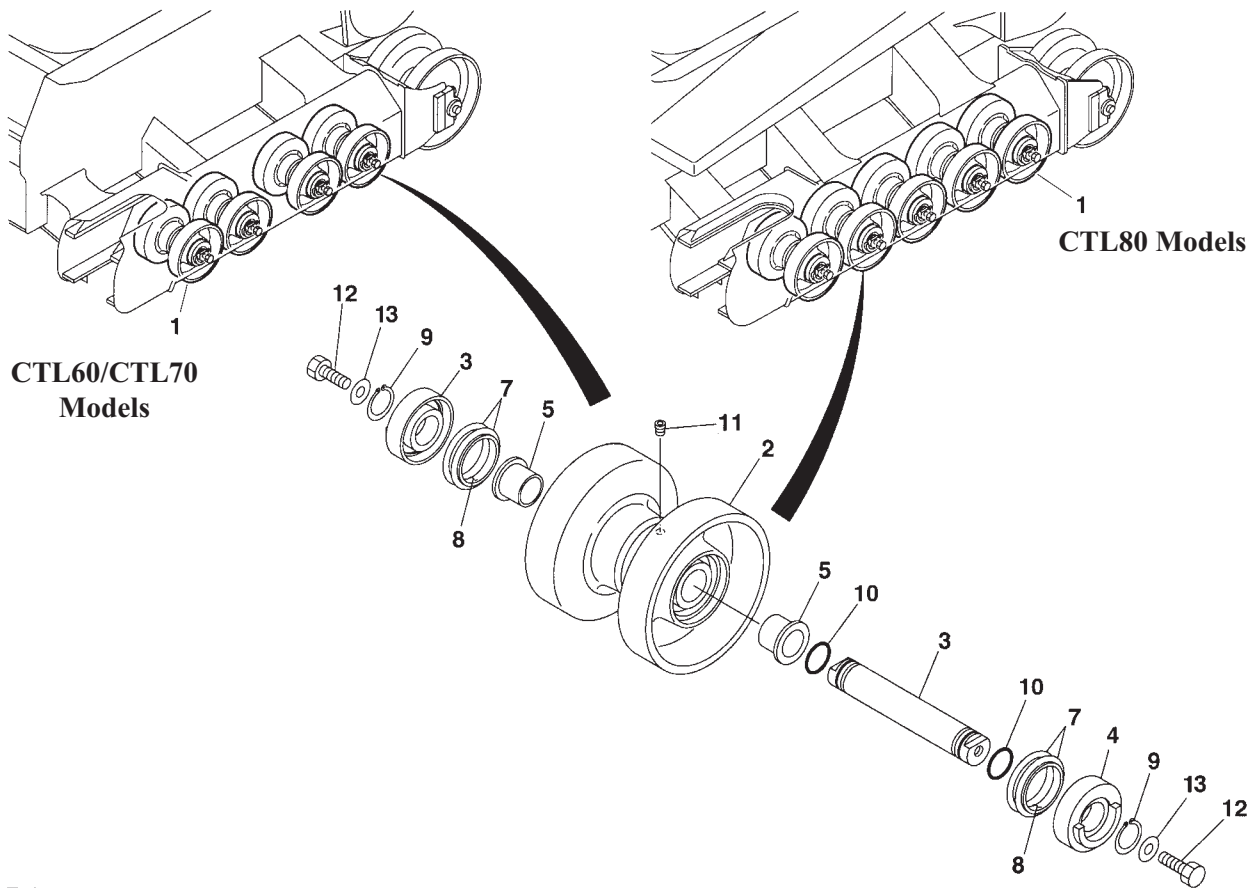
This Page Updated 2 July 07

Numerical Index	352
O-Ring Table, Coupling & Adapter Torque Table	366
Torque Specifications Table.	Inside Back Cover

SECTION A: MAIN LOADER COMPONENTS

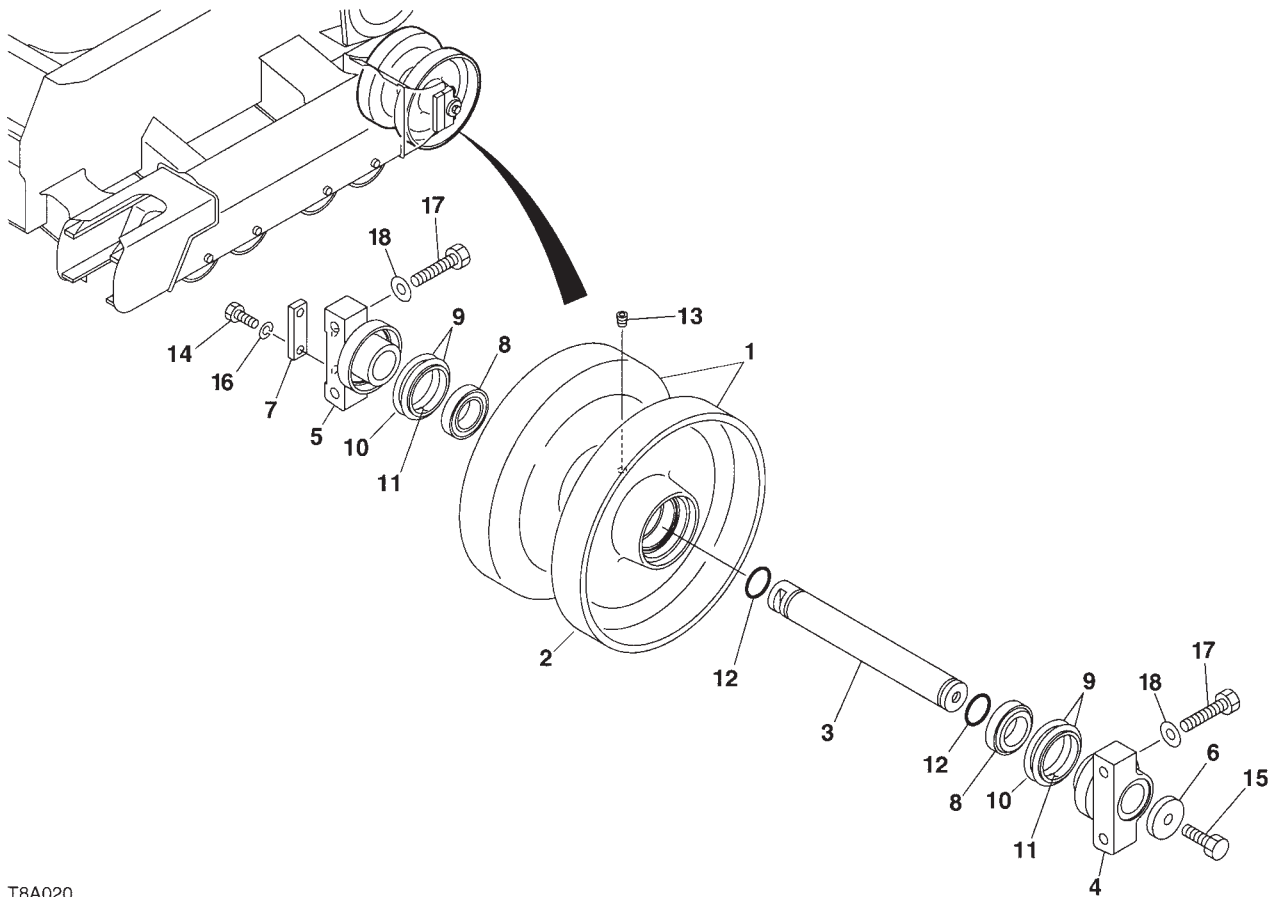
Track Roller A and B	1
Front Idler	3
Track Adjuster	5
Travel Device	6
Crawler Belt	11
Mainframe	12
Lift Arm Stop (with Hook Assembly)	13
Operation Lever and Stand	15
Piping; Operation Lever	16
Engine and Accessories	28
Drain Plug	63
Control Box - Right and Left	64
Engine Control	66
Electrical	71
Battery	95
Rear Lamp	99
Maintenance Light Socket	102
Room Lamp	103
Control Valve and Accessories	104
Piping; Hydraulic Tank and Drive Motors	113
Pump Drive	134
Hydraulic Tank	138
Fuel Tank and Fuel Piping	141
Covers - Rear Grille and Engine	151
Floor Frame	175
Seat and Seat Components	180
Restraint Bar	185
ROPS (with lights and harness)	188
Mirrors - Rear and Rearview, plus Manual Box	197
Lift Arm	201
Attachment System	207
Piping; Lift Arm	208
Auxiliary Hydraulics	231
Rear Auxiliary Line	233
Decals	236

TRACK ROLLER A



T8A010

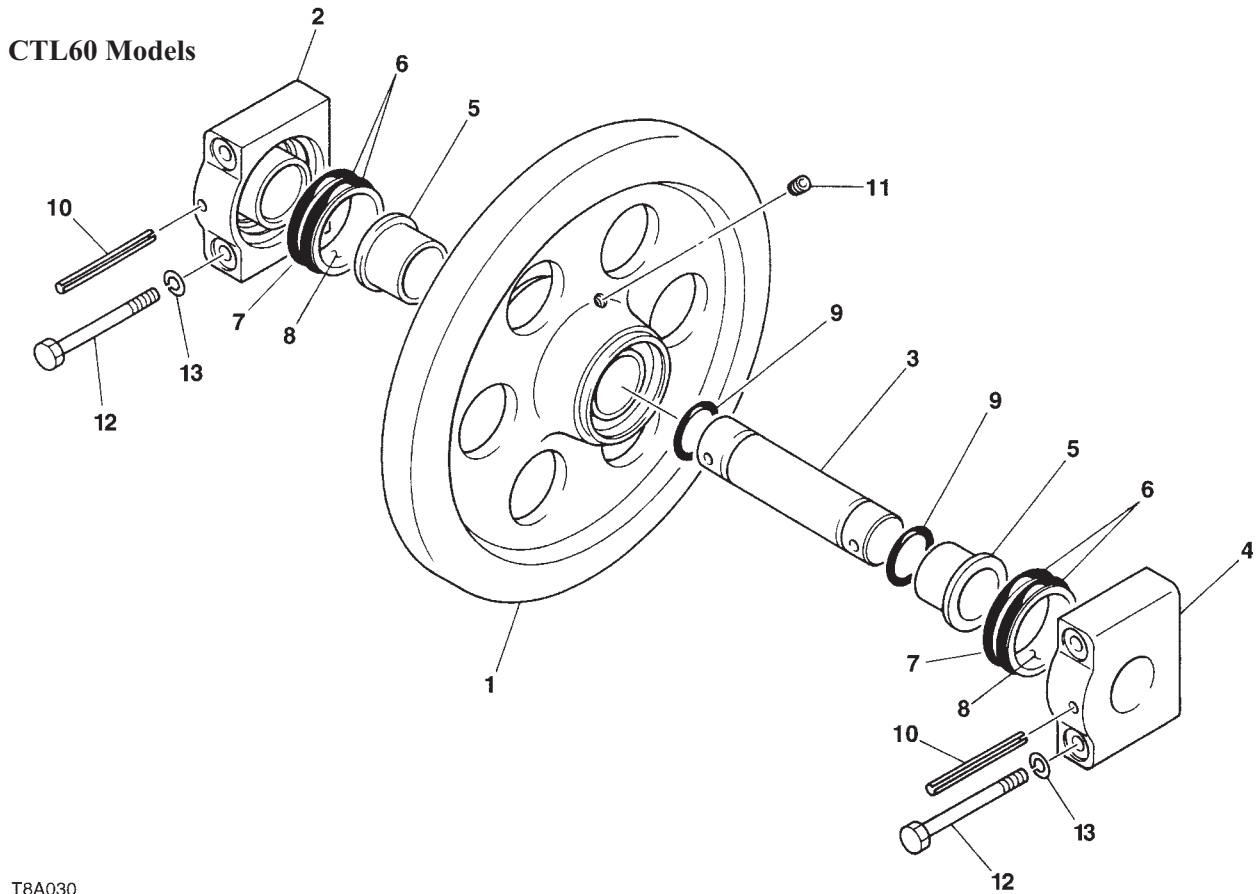
Ref. No.	Part No.	Description	Quantity CTL60	Quantity CTL70	Quantity CTL80
1	180775	ROLLER SUB ASSY/TRACK (INCLUDES ITEMS 2-11)	8	-	-
	181120	ROLLER SUB ASSY/TRACK (INCLUDES ITEMS 2-11)	-	8	10
2	REF	ROLLER	1	-	-
	REF	ROLLER	-	1	1
3	180851	SHAFT	1	-	-
	181122	SHAFT	-	1	1
4	180217	COVER	2	-	-
	181123	COVER	-	2	2
5	180164	BUSHING	2	-	-
	181542	BUSHING	-	2	2
6	180837	SEAL/FLOATING (INCLUDES ITEMS 7, 8)	2	-	-
	180838	SEAL/FLOATING (INCLUDES ITEMS 7, 8)	-	2	2
7	REF	O-RING	2	-	-
	REF	O-RING	-	2	2
8	REF	RING/SEAL	2	-	-
	REF	RING/SEAL	-	2	2
9	180760	RING/SNAP	2	-	-
	181537	RING/SNAP	-	2	2
10	180551	O-RING	2	-	-
	180552	O-RING	-	2	2
11	180684	PLUG	1	1	1
12	180097	BOLT	16	16	20
13	181033	WASHER	16	16	20



T8A020

Ref. No.	Part No.	Description	Quantity CTL60	Quantity CTL70/CTL80
1	180776	ROLLER SUB ASSY/TRACK (INCLUDES ITEMS 2-16)	2	-
	181124	ROLLER SUB ASSY/TRACK (INCLUDES ITEMS 2-16)	-	2
2	REF	ROLLER	1	-
	REF	ROLLER	-	1
3	180853	SHAFT	1	-
	181126	SHAFT	-	1
4	180226	COVER	1	1
5	180227	COVER	1	1
6	180657	PLATE	1	1
7	180658	PLATE	1	1
8	180052	BEARING	2	2
9	180838	SEAL/FLOATING (INCLUDES ITEMS 10, 11)	2	2
10	REF	O-RING	2	2
11	REF	RING/SEAL	2	2
12	180552	O-RING	2	2
13	180684	PLUG	1	1
14	180088	BOLT	2	2
15	180105	BOLT	1	1
16	181051	WASHER/SPRING	2	2
17	180095	BOLT	8	8
18	181032	WASHER	8	8

FRONT IDLER



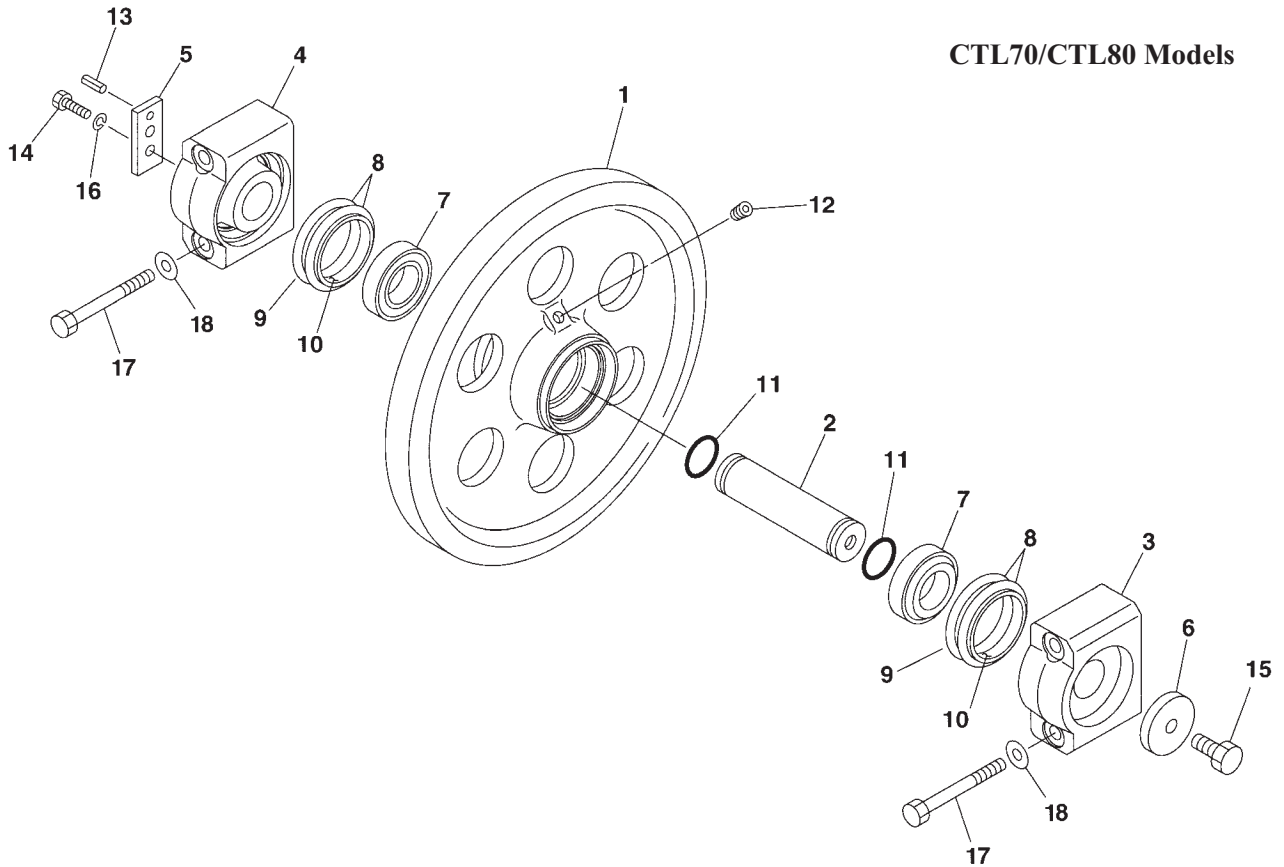
T8A030

Ref. No.	Part No.	Description	Quantity CTL60
	180477	IDLER ASSY (INCLUDES ITEMS 1-11)	2
1	REF A	IDLER	1
2	180243	COVER	1
3	180852	SHAFT	1
4	180243	COVER	1
5	180149B	BUSH (OEM PART)	2
	185739	BUSH (AFTER-MARKET PART)	2
6	180838	SEAL/FLOATING (INCLUDES ITEMS 7, 8)	2
7	REF	O-RING	2
8	REF	RING/SEAL	2
9	180553	O-RING	2
10	180623	PIN/SPRING	2
11	180684	PLUG	1
12	180099	BOLT	8
13	181052	WASHER/SPRING 12 MM	8

A) SIX-HOLE PATTERN IDLER IS OEM PART, SOLID PATTERN IDLER IS AFTER-MARKET PART.

B) OEM PART NUMBER ONLY, REFERENCE (A) NOTE.

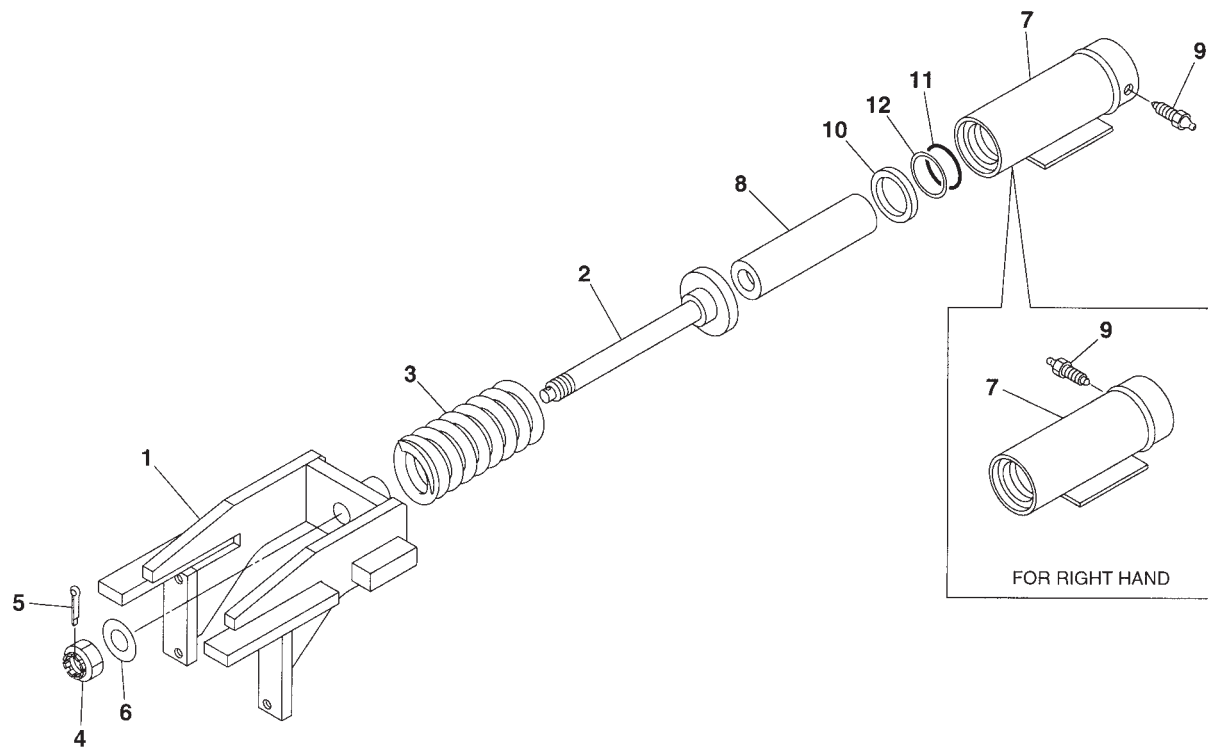
CTL70/CTL80 Models



T7A030

Ref. No.	Part No.	Description	Quantity CTL70/CTL80
	181127	IDLER SUB ASSY/FRONT (INCLUDES ITEMS 1-16)	2
1	REF	IDLER	1
2	181129	SHAFT	1
3	181130	COVER	1
4	181131	COVER	1
5	181132	PLATE	1
6	181133	PLATE	1
7	181540	BEARING	2
8	181566	SEAL/FLOATING (INCLUDES ITEMS 9, 10)	2
9	REF	O-RING	2
10	REF	RING/SEAL	2
11	180553	O-RING	2
12	180684	PLUG	1
13	181536	PIN/SPRING	1
14	180088	BOLT	2
15	181514	BOLT	1
16	181051	WASHER/SPRING	2
17	181511	BOLT	8
18	181032	WASHER	8

TRACK ADJUSTER



T8A040

Ref. No.	Part No.	Description	Quantity CTL60	Quantity CTL70	Quantity CTL80
	180912	SPRING ASSY (L.H.) (INCLUDES ITEMS 1-12)	1	-	-
	180913	SPRING ASSY (R.H.) (INCLUDES ITEMS 1-12)	1	-	-
	182789	SPRING ASSY (L.H.) (INCLUDES ITEMS 1-5, 7-12)	-	1	-
	182790	SPRING ASSY (R.H.) (INCLUDES ITEMS 1-5, 7-12)	-	1	-
	181141	SPRING ASSY (L.H.) (INCLUDES ITEMS 1-5, 7-12)	-	-	1
	181145	SPRING ASSY (R.H.) (INCLUDES ITEMS 1-5, 7-12)	-	-	1
1	181058	YOKE	1	-	-
	182791	YOKE	-	1	-
	181138	YOKE	-	-	1
2	180765	ROD	1	-	-
	181134	ROD	-	1	1
3	180886	SPRING	1	-	-
	181084	SPRING	-	1	1
4	180525	NUT	1	-	-
	181525	NUT	-	1	1
5	180617	PIN/SPLIT	1	1	1
6	181035	WASHER	1	-	-
REF	188174	CYLINDER ASSY (L.H.) (INCLUDES ITEMS 7-12)	1	-	-
	188187	CYLINDER ASSY (L.H.) (INCLUDES ITEMS 7-12)	-	1	1
	188175	CYLINDER ASSY (R.H.) (INCLUDES ITEMS 7-12)	1	-	-
	188188	CYLINDER ASSY (R.H.) (INCLUDES ITEMS 7-12)	-	1	1
7	180268	CYLINDER/GREASE (L.H.)	1	-	-
	180269	CYLINDER/GREASE (R.H.)	1	-	-
REF		CYLINDER/GREASE (L.H.)	-	1	1
REF		CYLINDER/GREASE (R.H.)	-	1	1
8	180633	PISTON	1	-	-
	181143	PISTON	-	1	1
9	180987	VALVE ASSY/CHECK	1	1	1
10	180841	SEAL/OIL	1	-	-
	181546	SEAL/OIL	-	1	1
11	180549	O-RING	1	-	-
	181564	O-RING	-	1	1
12	180744	RING/BACK-UP	1	-	-
	181562	RING/BACK-UP	-	1	1

Thanks for your reading.

Please click here to download complete manual instantly.

And can also choose other manuals.

Feel free --->write to me with any questions.

Our service email:

manuals007@hotmail.com