

# Parts Manual



See "General Information"  
for New Parts Manual  
Features.

---

## **914G Wheel Loader**

---

PDF1-Up (Machine)  
CRS1-Up (Engine)

**Powered By 3054C Engine**  
This Parts Manual is also Available in .PDF Format on Compact Disc  
(CD-ROM)-Caterpillar Form No. SERP3977

---

A solid black horizontal bar at the bottom of the page.

# Product and Dealer Information

**Note:** For product identification plate locations, see the section "Product Identification Information" in the Operation and Maintenance Manual.

**Delivery Date:** \_\_\_\_\_

## Product Information

Model: \_\_\_\_\_

Product Identification Number: \_\_\_\_\_

Engine Serial Number: \_\_\_\_\_

Transmission Serial Number: \_\_\_\_\_

Generator Serial Number: \_\_\_\_\_

Attachment Serial Numbers: \_\_\_\_\_

Attachment Information: \_\_\_\_\_

Customer Equipment Number: \_\_\_\_\_

Dealer Equipment Number: \_\_\_\_\_

## Dealer Information

Name: \_\_\_\_\_ Branch: \_\_\_\_\_

Address: \_\_\_\_\_

\_\_\_\_\_

\_\_\_\_\_

Dealer Contact

Phone Number

Hours

Sales: \_\_\_\_\_

Parts: \_\_\_\_\_

Service: \_\_\_\_\_

## Informations produit et concessionnaire

**Nota:** Voir l'emplacement de la plaque signalétique du produit au chapitre "Informations produit" du guide d'utilisation et d'entretien.

**Date de livraison:** \_\_\_\_\_

### Informations produit

Modèle: \_\_\_\_\_

Numéro d'identification produit: \_\_\_\_\_

Numéro de série du moteur: \_\_\_\_\_

Numéro de série de la boîte de vitesses: \_\_\_\_\_

Numéro de série de l'alternateur: \_\_\_\_\_

Numéros de série d'équipement: \_\_\_\_\_

Informations sur l'équipement: \_\_\_\_\_

Numéro matériel client: \_\_\_\_\_

Numéro matériel concessionnaire: \_\_\_\_\_

### Informations concessionnaire

Nom: \_\_\_\_\_ Agence: \_\_\_\_\_

Adresse: \_\_\_\_\_

Contact concessionnaire

Numéro de téléphone

Heures

Ventes: \_\_\_\_\_

Pièces: \_\_\_\_\_

Service: \_\_\_\_\_

# Información del Producto/Distribuidor

**Nota:** Para saber la ubicación de las placas de identificación del producto, ver la sección “Información sobre identificación del producto” en el Manual de Operación y Mantenimiento.

**Fecha de entrega:** \_\_\_\_\_

## Información del producto

Modelo: \_\_\_\_\_

Número de identificación del producto: \_\_\_\_\_

Número de serie del motor: \_\_\_\_\_

Número de serie de la transmisión: \_\_\_\_\_

Número de serie del generador: \_\_\_\_\_

Números de serie de los accesorios: \_\_\_\_\_

Información sobre los accesorios: \_\_\_\_\_

Número del equipo del cliente: \_\_\_\_\_

Número del equipo del distribuidor: \_\_\_\_\_

## Información del distribuidor

Nombre: \_\_\_\_\_ Sucursal: \_\_\_\_\_

Dirección: \_\_\_\_\_

\_\_\_\_\_

\_\_\_\_\_

Comunicación con el distribuidor

Número de teléfono

Horas

Ventas: \_\_\_\_\_

Piezas: \_\_\_\_\_

Servicio: \_\_\_\_\_

# Informações Sobre Produto e Revendedor

**Nota:** Para localizações da placa de identificação do produto, consulte a seção, “Informações Sobre Identificação do Produto” no Manual de Operação e Manutenção.

**Data de Entrega:** \_\_\_\_\_

## Informações Sobre o Produto

Modelo: \_\_\_\_\_

Número de Identificação do Produto: \_\_\_\_\_

Número de Série do Motor: \_\_\_\_\_

Número de Série da Transmissão: \_\_\_\_\_

Número de Série do Gerador: \_\_\_\_\_

Números de Série de Acessórios: \_\_\_\_\_

Informações Sobre Acessórios: \_\_\_\_\_

Número do Equipamento do Cliente: \_\_\_\_\_

Número do Equipamento do Revendedor: \_\_\_\_\_

## Informações Sobre o Revendedor

Nome: \_\_\_\_\_ Filial: \_\_\_\_\_

Endereço: \_\_\_\_\_

Contato do Revendedor

Telefone

Horas

Vendas: \_\_\_\_\_

Peças: \_\_\_\_\_

Serviço: \_\_\_\_\_

# Produkt- und Händlerinformation

Anmerkung: Für die Lage der Produkt-Identnummer und Seriennummern siehe Abschnitt "Produkt-Identinformation" im Betriebs- und Wartungshandbuch.

Lieferdatum: \_\_\_\_\_

## Produkt-Identinformation

Modell: \_\_\_\_\_

Produkt-Identnummer: \_\_\_\_\_

Seriennummer des Motors: \_\_\_\_\_

Seriennummer des Getriebes: \_\_\_\_\_

Seriennummer des Generators: \_\_\_\_\_

Seriennummern der Arbeitsgeräte: \_\_\_\_\_

Arbeitsgeräteinformation: \_\_\_\_\_

Kundennummer: \_\_\_\_\_

Händlernummer: \_\_\_\_\_

## Händlerinformation

Name: \_\_\_\_\_ Niederlassung: \_\_\_\_\_

Adresse: \_\_\_\_\_

Kontaktperson beim Händler

Telefon

Dienststunden

Verkauf: \_\_\_\_\_

Ersatzteile: \_\_\_\_\_

Service: \_\_\_\_\_

# MEMORANDA

# TABLE OF CONTENTS

Name	Page	Name	Page
<b>GENERAL INFORMATION</b> .....	A23	<b>AIR INLET AND EXHAUST SYSTEM</b> .....	48
<b>REPAIR ALTERNATIVES</b> .....	A42	AIR CLEANER GP .....	48
<b>SUPPLEMENTAL COOLANT ADDITIVES</b> .....	A47	COVER GP-AIR INLET .....	50
<b>MAINTENANCE PARTS</b> .....	A52	EXTENSION GP-EXHAUST .....	51
<b>INDEX</b> .....	A75	LINES GP-AIR .....	53
<b>MACHINE ARRANGEMENT</b> .....	1	MUFFLER GP .....	57
CHASSIS AR .....	1	PRECLEANER GP .....	58
COMMON AR .....	1	TURBOCHARGER GP .....	59
CONVERSION AR-CERTIFICATION .....	2	<b>FUEL SYSTEM</b> .....	61
CONVERSION AR-MACHINE .....	3	CABLE GP-GOVERNOR CONTROL .....	61
<b>ENGINE ARRANGEMENT</b> .....	8	CONTROL GP-GOVERNOR .....	62
ENGINE AR-PRIMARY .....	8	FILTER & LINES GP-FUEL .....	65
INSTALLATION AR-ENGINE .....	9	FILTER GP-FUEL .....	68
<b>BASIC ENGINE</b> .....	10	GUARD GP-FUEL INJECTION PUMP .....	70
CAMSHAFT GP .....	10	PUMP GP-FUEL INJECTION .....	71
COVER GP-VALVE MECHANISM .....	11	TANK & MTG GP-FUEL .....	73
CRANKSHAFT GP .....	13	TANK GP-FUEL .....	75
CYLINDER BLOCK GP .....	15	WATER SEP & FUEL PRM PUMP GP .....	76
CYLINDER HEAD GP .....	18	<b>ELECTRICAL AND STARTING SYSTEM</b> .....	77
DRAIN GP-ENGINE OIL .....	20	ALTERNATOR GP-CHARGING .....	77
DRIVE GP-FAN .....	21	BATTERY GP .....	78
FLYWHEEL GP .....	22	CONTROL & WIRING GP-PWR TRAIN .....	79
HOUSING GP-FLYWHEEL .....	23	CONTROL GP-LIFT KICKOUT .....	81
HOUSING GP-FRONT .....	24	CONTROL GP-POSITION .....	82
LIFTING GP-ENGINE .....	26	CONVERTER GP-ELECTRICAL .....	83
MOUNTING GP-ENGINE & TMSN .....	27	DISTRIBUTOR GP-ELECTRONIC .....	85
PAN GP-OIL .....	28	ELECTRONICS GP-MACHINE .....	86
PISTON & ROD GP .....	29	GLOW PLUG GP .....	87
PLUG GP-ENGINE .....	30	HEATER GP-JACKET WATER .....	89
PULLEY GP-CRANKSHAFT .....	32	INSTALLATION GP-SECURITY .....	91
VALVE GP-OIL PAN DRAIN .....	33	LAMP GP-DOME .....	93
VALVE MECHANISM GP .....	34	LAMP GP-FLOOD .....	94
<b>LUBRICATION SYSTEM</b> .....	35	LAMP GP-HEAD & SIGNAL .....	96
FILTER GP-ENGINE OIL .....	35	LAMP GP-REAR .....	103
PUMP GP-ENGINE OIL .....	36	LAMP GP-SIGNAL .....	104
VALVE GP-FLUID SAMPLING .....	37	LAMP GP-STOP & TAIL .....	110
<b>COOLING SYSTEM</b> .....	38	LAMP GP-WARNING BEACON .....	111
CONNECTION GP-WATER .....	38	LIGHTING AR-FLOOD & SIGNAL .....	112
COOLER GP-FLTR BASE & ENG OIL .....	39	LIGHTING AR-ROADING .....	112
FAN GP-SUCTION .....	41	LIGHTING GP-AUXILIARY .....	114
PUMP GP-WATER .....	42	LIGHTING GP-FLOOD .....	115
RADIATOR & HYD OIL COOLER GP .....	44	LIGHTING GP-FLOOD & SIGNAL .....	120
RADIATOR GP .....	46	LIGHTING GP-ROADING .....	122
		LIGHTING GP-SIGNAL .....	126
		LIGHTING GP-WARNING .....	128
		MOTOR GP-ELECTRIC .....	130
		ROADING AR .....	131
		STARTING MOTOR GP-ELECTRIC .....	132
		SWITCH GP-DISCONNECT .....	133
		SWITCH GP-MAGNETIC .....	135
		SWITCH GP-PRESSURE .....	137
		SWITCH GP-TEMPERATURE .....	138
		SWITCH GP-WIPER .....	139



# TABLE OF CONTENTS

Name	Page	Name	Page
WARNING GP-BACKUP .....	140	VALVE GP-TIRE .....	249
WIRING GP-CAB .....	142	<b>FRAME AND BODY</b> .....	250
WIRING GP-CHASSIS .....	150	BAFFLE GP-RADIATOR .....	250
WIRING GP-ENGINE .....	153	CONVERSION AR-ROADING .....	252
WIRING GP-FRONT .....	157	COUNTERWEIGHT GP .....	259
WIRING GP-POWER TRAIN .....	159	FENDER GP-ROADING .....	262
WIRING GP-REAR .....	160	FIREWALL GP .....	265
WIRING GP-RIDE CONTROL .....	162	FRAME GP-LOADER .....	266
WIRING GP-SECONDARY STEERING .....	163	FRAME GP-REAR .....	267
<b>POWER TRAIN</b> .....	165	GUARD GP-BOTTOM .....	269
ACTUATOR GP-PUMP .....	165	GUARD GP-LINES .....	271
AXLE AR-FIXED .....	167	GUARD GP-POWER TRAIN .....	274
AXLE AR-OSCILLATING .....	168	HITCH GP-ARTICULATING .....	275
BRAKE & PLANETARY GP .....	170	HOOD & GUARD GP .....	277
CONTROL AR-SPEED .....	171	HOOD GP .....	281
CONTROL GP-CREEPER .....	172	LADDER GP .....	286
CONTROL GP-TMSN & JOYSTICK .....	174	LINES GP-GREASE .....	288
CONTROL GP-TRANSMISSION .....	175	LINK GP-STEERING FRAME LOCK .....	289
COVER GP-HYDROSTATIC .....	179	REFLECTOR GP .....	290
COVER GP-MOTOR .....	181	SUPPRESSION AR-SOUND .....	291
COVER GP-SHIPPING .....	182	SUPPRESSION GP-SOUND .....	292
DIFFERENTIAL GP .....	183	<b>BRAKING SYSTEM</b> .....	293
DIFFERENTIAL GP-LIMITED SLIP .....	184	ACCUMULATOR GP-BRAKE .....	293
DRIVE GP-TRANSFER .....	185	CONTROL GP-PARKING BRAKE .....	296
FILTER GP-OIL .....	187	CONTROL GP-SERVICE BRAKE .....	299
GEAR GP-BEVEL .....	188	LINES GP-SERVICE BRAKE .....	301
HEAD GP-MOTOR .....	192	MANIFOLD GP-BRAKE .....	303
HEAD GP-PUMP .....	196	<b>STEERING SYSTEM</b> .....	304
HOUSING GP-FIXED AXLE .....	198	CONTROL GP-STEERING .....	304
HOUSING GP-OSCILLATING AXLE .....	200	CONVERSION AR-SECONDARY STEER .....	308
LINES GP-HYDROSTATIC .....	202	CYLINDER & MTG GP-STEERING .....	309
LINES GP-HYDROSTATIC PWR CASE .....	204	CYLINDER GP-STEERING .....	310
LINES GP-POWER TRAIN FILTER .....	208	LINES GP-SECONDARY STEERING .....	312
MOTOR GP-PISTON .....	210	LINES GP-STEERING .....	314
MOUNTING GP-AXLE .....	212	LOCK GP-STEERING CYLINDER .....	318
MOUNTING GP-MOTOR .....	214	PUMP & MOTOR GP-SEC STEERING .....	319
MOUNTING GP-PUMP .....	216	PUMP GP-GEAR .....	320
POWER TRAIN AR .....	217	PUMP GP-METERING .....	321
PUMP GP-CHARGE .....	218	STEERING AR .....	325
PUMP GP-PISTON .....	220	STEERING AR-SECONDARY .....	325
RIM AR .....	222	STEERING COLUMN GP .....	326
RIM GP-DEMOUNTABLE .....	223	VALVE GP-SECONDARY STEERING .....	327
ROTATING GP-MOTOR .....	226	<b>HYDRAULIC SYSTEM</b> .....	328
ROTATING GP-PUMP .....	230	ACCUMULATOR GP-HYDRAULIC .....	328
SHAFT GP-DRIVE .....	232	ACCUMULATOR GP-RIDE CONTROL .....	330
SLIP JOINT GP .....	233	BLOCK GP-HYDRAULIC .....	331
TIRE & RIM AR .....	234	CONTROL & LINES GP-RIDE .....	332
TIRE & RIM GP .....	236	CONTROL AR-RIDE .....	334
VALVE GP-PILOT .....	237		
VALVE GP-PUMP CONTROL .....	243		
VALVE GP-RELIEF .....	245		
VALVE GP-ROTARY .....	246		
VALVE GP-SOLENOID & MANIFOLD .....	247		
VALVE GP-SPEED SENSING .....	248		

# TABLE OF CONTENTS

Name	Page	Name	Page
CONTROL GP-PILOT OPERATED		<b>OPERATOR STATION</b> .....	447
HYD .....	335	ACCUMULATOR GP-REFRIGERANT .....	447
CONVERSION AR-HYDRAULIC .....	341	ADJUSTER GP-SEAT .....	449
CYLINDER GP-COUPLER .....	342	AIR COMPRESSOR GP-SEAT .....	450
CYLINDER GP-LIFT .....	343	AIR CONDITIONER & MOUNTING GP .....	451
CYLINDER GP-TILT .....	344	AIR CONDITIONER AR .....	453
DRAIN GP-ECOLOGY .....	345	AIR CONDITIONER GP .....	454
HYDRAULIC AR .....	346	ARMREST GP .....	457
HYDRAULIC AR-2 VALVE .....	346	CAB AR .....	462
HYDRAULIC AR-3 VALVE .....	346	CAB AR-ENCLOSED ROPS .....	463
HYDRAULIC AR-4 VALVE .....	347	CAB GP-ENCLOSED ROPS .....	464
KICKOUT & POSITIONER GP .....	348	CANOPY AR-OPEN ROPS .....	466
LINES GP-ACCUMULATOR .....	350	CANOPY AR-SOFT .....	466
LINES GP-FRONT .....	352	CANOPY GP-OPEN ROPS .....	467
LINES GP-HYDRAULIC .....	356	CANOPY GP-SOFT .....	468
LINES GP-HYDRAULIC OIL COOLER .....	360	COMPRESSOR GP-REFRIGERANT .....	470
LINES GP-LIFT CYLINDER .....	361	CONDENSER GP-REFRIGERANT .....	473
LINES GP-PILOT .....	364	CONVERSION AR-AIR	
LINES GP-PUMP .....	376	CONDITIONER .....	474
LINES GP-TILT CYLINDER .....	379	COVER GP-CONSOLE .....	475
LOCK GP-HYDRAULIC HAND		DASH GP .....	476
CONTROL .....	381	DEFROSTER GP-CAB .....	477
PIVOT GP-PILOT VALVE .....	382	DOOR GP-CAB .....	478
PLATE GP-PILOT VALVE .....	383	DUCT GP-AIR .....	491
PUMP & MTG GP-IMPL & STEERING .....	387	EXTENSION GP-BACKREST .....	492
TANK GP-EXPANSION .....	388	FILTER GP-CAB AIR .....	493
TANK GP-HYDRAULIC .....	390	GUARD GP-WINDOW .....	494
VALVE & MTG GP-MAIN CONTROL .....	394	HEATER & MTG GP-CAB .....	496
VALVE GP-BANK 2 .....	400	HEATER AR-CAB .....	497
VALVE GP-BANK 3 .....	401	HEATER GP-CAB .....	498
VALVE GP-BANK 4 .....	402	HOUSING GP-SEAT SUSPENSION .....	500
VALVE GP-CONTROL .....	404	INSTALLATION GP-RADIO .....	503
VALVE GP-DRAIN .....	406	KIT-SEAT AIR COMPRESSOR .....	507
VALVE GP-PILOT .....	407	LINER GP-CAB .....	508
VALVE GP-PILOT CARTRIDGE .....	415	LINES GP-AIR CONDITIONER .....	515
VALVE GP-RELIEF .....	420	LINES GP-CAB HEATER .....	519
VALVE GP-SHUTOFF .....	423	LINES GP-HEATER .....	521
VALVE GP-SOLENOID .....	425	LITERATURE GP .....	522
<b>IMPLEMENTS</b> .....	427	MIRROR GP-LH .....	523
BRACKET GP-TRANSPORT .....	427	MIRROR GP-REAR VIEW .....	524
CONTROL GP-BUCKET .....	428	MIRROR GP-RH .....	530
<b>WORK TOOLS</b> .....	430	MODULE GP-WARNING INDICATOR .....	531
ADAPTER GP-TIP .....	430	MOUNTING GP-CAB .....	533
BUCKET AS-PENETRATION .....	431	OPERATOR AR .....	534
BUCKET GP-GENERAL PURPOSE .....	434	OPERATOR AR-OPEN ROPS .....	534
BUCKET GP-PENETRATION .....	436	PAN GP-BACKREST .....	535
BUCKET GP-ROCK .....	437	PAN GP-SEAT .....	538
COUPLER GP-QUICK .....	438	PANEL GP-INSTRUMENT .....	540
EDGE GP-BIT & CUTTING .....	441	PEDAL GP-BRAKE .....	552
GUARD GP-BUCKET .....	443	PEDAL GP-GOVERNOR .....	553
KIT-QUICK COUPLER .....	444	PLATFORM AR .....	554
TIP GP-LONG .....	445	PLATFORM GP .....	555
		PLATFORM GP-OPERATOR .....	557
		RECLINER GP-SEAT .....	558
		ROPS GP-ENCLOSED .....	559

# TABLE OF CONTENTS

Name	Page	Name	Page
ROPS GP-OPEN .....	560		
SCREEN GP-SUN .....	562		
SEAT BELT GP .....	563		
SEAT GP .....	566		
SEAT GP-SUSPENSION .....	573		
SPEEDOMETER GP .....	584		
SUPPORT GP-SEAT .....	585		
SUPPRESSION GP-SOUND .....	586		
SUSPENSION GP-SEAT .....	587		
TANK GP-WINDOW WASHER .....	591		
VISOR GP-CAB .....	592		
WASHER GP-WINDOW .....	593		
WINDOW GP-DOOR .....	594		
WIPER GP-WINDOW .....	595		
<b>SERVICE EQUIPMENT AND SUPPLIES .....</b>	<b>597</b>		
TOOL BOX GP .....	597		
FILM GP .....	598		
PLATE & FILM GP .....	599		
<b>PART NUMBER INDEX .....</b>	<b>B1</b>		

# TABLE DES MATIÈRES

Désignation	Page	Désignation	Page
<b>GÉNÉRALITÉS</b> .....	A26	<b>CIRCUIT DE REFROIDISSEMENT</b> .....	38
<b>OPTIONS DE RÉPARATION</b> .....	A43	RACCORD D'EAU (ASS) .....	38
<b>ADDITIFS POUR LIQUIDE DE REFROIDISSEMENT</b> .....	A48	SUPPORT DE FILTRE ET REFROIDISSEUR D'HUILE MOTEUR .....	39
<b>PIÈCES DE RECHANGE</b> .....	A56	VENTILATEUR ASPIRANT (ASS) .....	41
<b>INDEX</b> .....	A84	POMPE A EAU (ASS) .....	42
<b>VERSION DE MACHINE</b> .....	1	RADIATEUR ET REFROIDISSEUR D'HUILE HYDRAULIQUE (ASS) .....	44
VERSION DE CHASSIS .....	1	RADIATEUR (ASS) .....	46
VERSION NORMALE .....	1	<b>CIRCUIT D'ADMISSION D'AIR ET D'ÉCHAPPEMENT</b> .....	48
VERSION DE TRANSFORMATION - HOMOLOGATION .....	2	FILTRE A AIR (ASS) .....	48
VERSION DE TRANSFORMATION MACHINE .....	3	COUVERCLE DE COLLECTEUR D'ADMISSION (ASS) .....	50
<b>MOTEUR (VERSION)</b> .....	8	RALLONGE D'ÉCHAPPEMENT (ASS) .....	51
MOTEUR (VERSION PRINCIPALE) .....	8	CANALISATIONS D'AIR (ASS) .....	53
MONTAGE DE MOTEUR (VERSION) .....	9	SILENCIEUX (ASS) .....	57
<b>MOTEUR STANDARD</b> .....	10	PREFILTRE (ASS) .....	58
ARBRE A CAMES (ASS) .....	10	TURBOCOMPRESSEUR (ASS) .....	59
CACHE-SOUPAPES (ASS) .....	11	<b>CIRCUIT DE CARBURANT</b> .....	61
VILEBREQUIN (ASS) .....	13	CÂBLE DE COMMANDE DU RÉGULATEUR (ASS) .....	61
BLOC-CYLINDRES (ASS) .....	15	COMMANDE DE RÉGULATEUR (ASS) .....	62
CULASSE (ASS) .....	18	FILTRE ET CANALISATIONS DE CARBURANT (ASS) .....	65
VIDANGE-HUILE DE MOTEUR (ASS) .....	20	FILTRE A CARBURANT (ASS) .....	68
ENTRAÎNEMENT DE VENTILATEUR (ASS) .....	21	PROTECTION DE POMPE D'INJECTION DE CARBURANT (ASS) .....	70
VOLANT MOTEUR (ASS) .....	22	POMPE D'INJECTION DE CARBURANT (ASS) .....	71
CARTER DE VOLANT (ASS) .....	23	RÉSERVOIR DE CARBURANT ET MONTAGE (ASS) .....	73
CARTER AV (ASS) .....	24	RÉSERVOIR DE CARBURANT (ASS) .....	75
OEILLETONS DE LEVAGE MOTEUR (ASS) .....	26	POMPE DE SÉPARATEUR D'EAU ET D'AMORÇAGE DE CARBURANT (ASS) .....	76
MONTAGE DE MOTEUR ET BOÎTE (ASS) .....	27	<b>CIRCUIT ELECTRIQUE ET DE DEMARRAGE</b> .....	77
HUILE MOTEUR - CARTER (ASS) .....	28	ALTERNATEUR DE CHARGE (ASS) .....	77
PISTON ET BIELLE (ASS) .....	29	BATTERIE (ASS) .....	78
BOUCHON DE MOTEUR (ASS) .....	30	COMMANDE ET CÂBLAGE DE TRANSMISSION (ASS) .....	79
VILEBREQUIN - POULIE (ASS) .....	32	COMMANDE ELECTRONIQUE DE LIMITEUR DE LEVAGE (ASS) .....	81
SOUPAPE - VIDANGE DE CARTER D'HUILE (ASS) .....	33	COMMANDE DE POSITION (ASS) .....	82
CULBUTERIE (ASS) .....	34	TRANSFORMATION ELECTRIQUE (ASS) .....	83
<b>CIRCUIT DE GRAISSAGE</b> .....	35	DISTRIBUTEUR ELECTRONIQUE (ASS) .....	85
FILTRE À HUILE MOTEUR (ASS) .....	35	ÉLECTRONIQUE - MACHINE (ENS) .....	86
POMPE A HUILE MOTEUR (ASS) .....	36		
ROBINET-PRÉLÈVEMENT D'ÉCHANTILLON DE LIQUIDE (ASS) .....	37		

\* TRADUCTION NON DISPONIBLE AU MOMENT DE LA PUBLICATION

# TABLE DES MATIÈRES

Désignation	Page	Désignation	Page
BOUGIE DE PRÉCHAUFFAGE (ASS) . . . . .	87	COMMANDE DE VITESSE (VERSION) . . . . .	171
EAU DES CHEMISES - RECHAUFFEUR (ASS) . . . . .	89	COMMANDE D'APPROCHE LENTE (ASS) . . . . .	172
MONTAGE-SÉCURITÉ (ASS) . . . . .	91	*CONTROL GP-TMSN & JOYSTICK . . . . .	174
PLAFONNIER (ASS) . . . . .	93	COMMANDE DE BOITE DE VITESSES (ASS) . . . . .	175
LAMPE - PHARE (ASS) . . . . .	94	COUVERCLE HYDROSTATIQUE (ASS) . . . . .	179
LAMPE - PHARE ET CLIGNOTANT . . . . .	96	COUVERCLE DE MOTEUR (ASS) . . . . .	181
LAMPE AR (ASS) . . . . .	103	COUVERCLES D'EXPEDITION (ASS) . . . . .	182
LAMPE - CLIGNOTANT DE DIRECTION (ASS) . . . . .	104	DIFFERENTIEL (ASS) . . . . .	183
FEUX ARRIÈRE ET FEUX D'ARRÊT . . . . .	110	DIFFÉRENTIEL - GLISSEMENT LIMITÉ (ASS) . . . . .	184
LAMPE - GYROPHARE (ASS) . . . . .	111	ENGRENAGE DE TRANSFERT (ASS) . . . . .	185
ÉCLAIRAGE (VERSION)-PROJECTEUR & SIGNAL . . . . .	112	FILTRE A HUILE (ASS) . . . . .	187
*LIGHTING AR-ROADING . . . . .	112	COURONNE CONIQUE (ASS) . . . . .	188
ÉCLAIRAGE - FEUX DE ROUTE (VERSION) . . . . .	113	TÊTE DE MOTEUR À PISTONS (ASS) . . . . .	192
ÉCLAIRAGE - AUXILIAIRE (ASS) . . . . .	114	TÊTE DE POMPE (ASS) . . . . .	196
ÉCLAIRAGE - PROJECTEURS (ASS) . . . . .	115	CARTER D'ESSIEU FIXE . . . . .	198
ÉCLAIRAGE - PROJECTEURS ET CLIGNOTANTS (ASS) . . . . .	120	CARTER D'ESSIEU OSCILLANT . . . . .	200
ÉCLAIRAGE - FEUX DE ROUTE (ASS) . . . . .	122	CANALISATIONS HYDROSTATIQUES (ASS) . . . . .	202
ÉCLAIRAGE CLIGNOTANT . . . . .	126	CANALISATIONS DE CARTER HYDROST. DE TRANSMISSION . . . . .	204
ÉCLAIRAGE - AVERTISSEUR (ASS) . . . . .	128	CANALISATIONS DE FILTRE DE TRANSMISSION (ASS) . . . . .	208
MOTEUR ELECTRIQUE (ASS) . . . . .	130	GROUPE DE MOTEUR A PISTONS . . . . .	210
ÉQUIPEMENT POUR DÉPLACEMENT ROUTIER (VERSION) . . . . .	131	MONTAGE D'ESSIEU (ASS) . . . . .	212
DÉMARREUR ÉLECTRIQUE (ASS) . . . . .	132	MOTEUR - MONTAGE (ASS) . . . . .	214
ROBINET DE BATTERIE (ASS) . . . . .	133	MONTAGE DE POMPE (ASS) . . . . .	216
CONTACTEUR MAGNETIQUE (ASS) . . . . .	135	TRANSMISSION (VERSION) . . . . .	217
MANOCONTACT . . . . .	137	POMPE DE GAVAGE (ASS) . . . . .	218
BOUTON DE TEMPÉRATURE . . . . .	138	POMPE A PISTONS (ASS) . . . . .	220
INTERRUPTEUR D'ESSUIE-GLACE (ASS) . . . . .	139	JANTE (VERSION) . . . . .	222
AVERTISSEUR DE REcul (ASS) . . . . .	140	JANTE DÉMONTABLE (ASS) . . . . .	223
CABLAGE DE CABINE (ASS) . . . . .	142	GROUPE DE ROTATION DE MOTEUR . . . . .	226
CABLAGE DE CHASSIS (ASS) . . . . .	150	GROUPE DE ROTATION DE POMPE . . . . .	230
CABLAGE DE MOTEUR (ASS) . . . . .	153	ARBRE D'ENTRAÎNEMENT (ASS) . . . . .	232
CABLAGE AV (ASS) . . . . .	157	CARDAN COULISSANT (ASS) . . . . .	233
CABLAGE DE TRANSMISSION (ASS) . . . . .	159	PNEU ET JANTE (VERSION) . . . . .	234
CABLAGE AR (ASS) . . . . .	160	PNEU ET JANTE (ASS) . . . . .	236
CÂBLAGE DE COMMANDE DE TRANSLATION (ASS) . . . . .	162	SOUPAPE PILOTE (ASS) . . . . .	237
CABLAGE DE DIRECTION AUXILIAIRE (ASS) . . . . .	163	DISTRIBUTEUR DE POMPE (ASS) . . . . .	243
<b>TRANSMISSION</b> . . . . .	<b>165</b>	CLAPET DE DECHARGE (ASS) . . . . .	245
MECANISME DE COMMANDE DE POMPE (ASS) . . . . .	165	CLAPET ROTATIF (ASS) . . . . .	246
ESSIEU FIXE (VERSION) . . . . .	167	SOUPAGE - SOLÉNOÏDE ET COLLECTEUR . . . . .	247
ESSIEU OSCILLANT (VERSION) . . . . .	168	SOUPAPE DE CAPTEUR DE VITESSE (ASS) . . . . .	248
FREIN ET TRAINS PLANÉTAIRES (ASS) . . . . .	170	PNEU - GROUPE DE VALVE . . . . .	249
		<b>CHÂSSIS ET BENNE</b> . . . . .	<b>250</b>
		DEFLECTEUR - RADIATEUR (ASS) . . . . .	250

\* TRADUCTION NON DISPONIBLE AU MOMENT DE LA PUBLICATION

# TABLE DES MATIÈRES

Désignation	Page	Désignation	Page
VERSION DE TRANSFORMATION POUR DÉPLACEMENT ROUTIER .....	252	DIRECTION AUXILIAIRE (VERSION) . . . . .	325
CONTREPOIDS (ASS) .....	259	COLONNE DE DIRECTION (ASS) .....	326
GARDE-BOUE (ASS) .....	262	SOUPAPE DE DIRECTION AUXILIAIRE (ASS) .....	327
CLOISON PARE-FEU (ASS) .....	265		
BATI - CHARGEUSE (ASS) .....	266	<b>CIRCUIT HYDRAULIQUE</b> .....	328
BÂTI AR (ASS) .....	267	ACCUMULATEUR HYDRAULIQUE (ASS) .....	328
BLINDAGE INFÉRIEUR (ASS) .....	269	ACCUMULATEUR - COMMANDE DE TRANSLATION (ASS) .....	330
PROTECTEUR DES CANALISATIONS (ASS) .....	271	BLOC - HYDRAULIQUE (ASS) .....	331
BLINDAGE DE TRANSMISSION (ASS) .....	274	COMMANDE ET CANALIS. - TRANSLATION (ASS) .....	332
ATTELAGE D'ARTICULATION (ASS) .....	275	COMMANDE DE TRANSLATION (VERSION) .....	334
CAPOT ET PROTECTION (ASS) .....	277	COMMANDE HYDRAULIQUE PILOTE (ASS) .....	335
CAPOT (ASS) .....	281	VERSION DE TRANSFORMATION - HYDRAULIQUE .....	341
ECHELLE (ASS) .....	286	VÉRIN DE COUPLEUR (ASS) .....	342
CANALISATIONS DE GRAISSAGE (ASS) .....	288	VÉRIN DE LEVAGE (ASS) .....	343
LIAISON - VERROUILLAGE DE CHÂSSIS DE DIRECTION (ASS) .....	289	VÉRIN D'INCLINAISON (ASS) .....	344
RÉFLECTEUR (ASS) .....	290	VIDANGE-ÉCOLOGIE (ASS) .....	345
INSONORISATION (VERSION) .....	291	VERSION HYDRAULIQUE .....	346
INSONORISATION (ASS) .....	292	DISTRIBUTEUR - 2 VOIES (VERSION) .....	346
<b>CIRCUIT DE FREINS</b> .....	293	DISTRIBUTEUR - 3 VOIES (VERSION) .....	346
ACCUMULATEUR - FREIN .....	293	DISTRIBUTEUR QUADRUPLE CORPS (VERSION) .....	347
COMMANDE DE FREIN DE STATIONNEMENT (ASS) .....	296	LIMITEUR DE LEVAGE ET RETOUR À L'ANGLE DE CAVAGE .....	348
FREIN DE MANOEUVRE - COMMANDE (ASS) .....	299	CANALISATIONS D'ACCUMULATEUR (ASS) .....	350
CANALISATIONS DU FREIN DE MANOEUVRE (ASS) .....	301	CANALISATIONS AV .....	352
COLLECTEUR D'ACCUMULATEUR DE FREIN (ASS) .....	303	CANALISATIONS HYDRAULIQUES (ASS) .....	356
<b>CIRCUIT DE DIRECTION</b> .....	304	CANALISATIONS DE REFROIDISSEUR D'HUILE HYDR. (ASS) .....	360
COMMANDE DE DIRECTION (ASS) .....	304	CANALISATIONS DE VÉRIN DE LEVAGE (ASS) .....	361
VERSION DE TRANSFORMATION DE DIRECTION AUXILIAIRE .....	308	CANALISATIONS A COMMANDE PILOTE (ASS) .....	364
VERIN DE DIRECTION ET MONTAGE (ASS) .....	309	CANALISATIONS DE POMPE (ASS) .....	376
VERIN DE DIRECTION (ASS) .....	310	CANALISATIONS DU VÉRIN D'INCLINAISON (ASS) .....	379
CANALISATION DE DIRECTION AUXILIAIRE .....	312	VERROUILLAGE DE COMMANDE MANUELLE HYDRAUL. (ASS) .....	381
CANALISATIONS DE DIRECTION (ASS) .....	314	ARTICULATION DE SOUPAPE PILOTE (ASS) .....	382
VERROUILLAGE DE VÉRIN DE DIRECTION (ASS) .....	318	PLAQUE DE SOUPAPE PILOTE (ASS) .....	383
POMPE DE DIRECTION AUXILIAIRE ET MONTAGE (ASS) .....	319	POMPE ET MONTAGE - ÉQUIPEMENT ET DIRECTION (ASS) .....	387
POMPE A ENGRENAGES (ASS) .....	320	RESERVOIR D'EXPANSION (ASS) .....	388
POMPE DE REGULARISATION DE DEBIT (ASS) .....	321	RÉSERVOIR HYDRAULIQUE (ASS) .....	390
DIRECTION (ENS) .....	325		

\* TRADUCTION NON DISPONIBLE AU MOMENT DE LA PUBLICATION

# TABLE DES MATIÈRES

Désignation	Page	Désignation	Page
COMMANDE PRINCIPALE DE SOUPE ET MONTAGE (ASS) .....	394	COUVERCLE DE LA CONSOLE (ASS) .....	475
DISTRIBUTEUR DOUBLE ÉLÉMENT (ASS) .....	400	TABLEAU DE BORD (ASS) .....	476
DISTRIBUTEUR TRIPLE ÉLÉMENT (ASS) .....	401	DEGIVREUR (ASS) .....	477
DISTRIBUTEUR 4 ÉLÉMENTS (ASS) .....	402	PORTIÈRE DE CABINE (ASS) .....	478
DISTRIBUTEUR (ASS) .....	404	GAINÉ D'AIR (ASS) .....	491
SOUPE DE VIDANGE .....	406	RALLONGE DU DOSSIER DE SIEGE .....	492
SOUPE PILOTE (ASS) .....	407	FILTRE À AIR DE CABINE (ASS) .....	493
SOUPE - CARTOUCHE PILOTE (ASS) .....	415	PROTECTION DE GLACE (ASS) .....	494
CLAPET DE DECHARGE (ASS) .....	420	CHAUFFAGE ET MONTAGE - CABINE (ASS) .....	496
SOUPE D'ARRÊT (ASS) .....	423	CHAUFFAGE DE CABINE (VERSION) .....	497
SOUPE - SOLÉNOÏDE (ASS) .....	425	CHAUFFAGE DE CABINE (ASS) .....	498
<b>ÉQUIPEMENTS</b> .....	427	SUSPENSION DE SIEGE - CARTER (ASS) .....	500
SUPPORT D'EXPÉDITION (ASS) .....	427	MONTAGE DE RADIO (ASS) .....	503
COMMANDE DE GODET (ASS) .....	428	KIT DE COMPRESSEUR PNEUMATIQUE DE SIÈGE .....	507
<b>OUTILS DE TRAVAIL</b> .....	430	CABINE - REVÊTEMENT (ASS) .....	508
PORTE-POINTE (ASS) .....	430	CANALISATIONS DE CLIMATISEUR (ASS) .....	515
GODET-PÉNÉTRATION (ENS) .....	431	CANALISATIONS DE CHAUFFAGE DE CABINE (ASS) .....	519
GODET NORMAL (ASS) .....	434	CANALISATIONS DE CHAUFFAGE (ASS) .....	521
GODET PÉNÉTRATION (ASS) .....	436	LITTÉRATURE (ASS) .....	522
*BUCKET GP-ROCK .....	437	RÉTROVISEUR GAUCHE (ASS) .....	523
COUPLEUR EXPRESS (ASS) .....	438	RÉTROVISEUR (ASS) .....	524
EMBOUT ET LAME DE COUPE (ASS) .....	441	RÉTROVISEUR DROIT (ASS) .....	530
PROTECTION DE GODET (ASS) .....	443	MODULE - TÉMOIN (ASS) .....	531
KIT DE COUPLEUR EXPRESS .....	444	MONTAGE DE CABINE (ASS) .....	533
POINTE LONGUE (ASS) .....	445	POSTE DE CONDUITE (VERSION) .....	534
<b>POSTE DE CONDUITE</b> .....	447	CABINE ROPS OUVERTE (VERSION) .....	534
ACCUMULATEUR - CLIMATISEUR (ASS) .....	447	COUVERCLE INFÉRIEUR-DOSSIER (ASS) .....	535
REGLAGE DE SIEGE (ASS) .....	449	SIEGE - COUVERCLE INFERIEUR (ASS) .....	538
SIÈGE - COMPRESSEUR D'AIR (ASS) .....	450	TABLEAU DE BORD (ASS) .....	540
CLIMATISEUR ET MONTAGE (ASS) .....	451	PEDALE DE FREIN (ASS) .....	552
CLIMATISEUR (VERSION) .....	453	RÉGULATEUR - PÉDALE (ASS) .....	553
CLIMATISEUR (ASS) .....	454	PLATE-FORME (VERSION) .....	554
ACCOUDOIR (ASS) .....	457	PLATE-FORME (ASS) .....	555
CABINE (VERSION) .....	462	PLATE-FORME DE CABINE .....	557
CABINE ROPS FERMÉE (VERSION) .....	463	SIÈGE INCLINABLE (ASS) .....	558
FILTRE - ELECTRONIQUE (ASS) .....	464	CABINE ROPS FERMÉE (ASS) .....	559
VERSION DE TOIT - ROPS OUVERT .....	466	TOIT ROPS - OUVERT (ASS) .....	560
PAVILLON (VERSION) .....	466	PARE-SOLEIL (ASS) .....	562
TOIT-ROPS OUVERT (ASS) .....	467	CEINTURE DE SECURITE (ASS) .....	563
PAVILLON (ASS) .....	468	SIÈGE (ASS) .....	566
COMPRESSEUR DE REFRIGERANT (ASS) .....	470	SIÈGE AVEC SUSPENSION (ASS) .....	573
CONDENSEUR DE RÉFRIGÉRANT .....	473	COMPTEUR DE VITESSE (ASS) .....	584
VERSION DE TRANSFORMATION - CLIMATISEUR .....	474	SUPPORT DE SIÈGE (ASS) .....	585
		INSONORISATION (ASS) .....	586
		SIÈGE AVEC SUSPENSION (ASS) .....	587

\* TRADUCTION NON DISPONIBLE AU MOMENT DE LA PUBLICATION

# TABLE DES MATIÈRES

Désignation	Page	Désignation	Page
RÉSERVOIR - LAVE-GLACE (ASS) . . . . .	591		
RETROVISEUR - CABINE (ASS) . . . . .	592		
LAVE-GLACE - VITRE (ASS) . . . . .	593		
GLACE DE PORTIÈRE (ASS) . . . . .	594		
ESSUIE-GLACE (ASS) . . . . .	595		
<b>MATÉRIEL ET FOURNITURES</b>			
<b>D'ENTRETIEN</b> . . . . .	597		
BOÎTE À OUTILS (ASS) . . . . .	597		
PLAQUE SIGNALÉTIQUE (ASS) . . . . .	598		
PLAQUES SIGNALÉTIQUES ET AUTOCOLLANTS (ASS) . . . . .	599		
<b>INDEX DE NUMÉROS DE PIÈCES</b> . . . . .	B1		

\* TRADUCTION NON DISPONIBLE AU MOMENT DE LA PUBLICATION



# CONTENIDO

Nombre	Página	Nombre	Página
<b>INFORMACIÓN GENERAL</b> .....	A30	<b>SISTEMA DE ENFRIAMIENTO</b> .....	38
<b>ALTERNATIVAS DE REPARACIÓN</b> .....	A44	AGUA - CONEXIÓN DE (GR) .....	38
<b>ADITIVOS DE REFRIGERANTE SUPLEMENTARIOS</b> .....	A49	ENFRIADOR DE ACEITE DEL MOTOR Y BASE DEL FILTRO .....	39
<b>PIEZAS DE MANTENIMIENTO</b> .....	A61	SUCCIÓN - VENTILADOR DE (GR) .....	41
<b>INDICE</b> .....	A94	BOMBA DE AGUA (GR) .....	42
<b>CONFIGURACIÓN DE MÁQUINAS</b> .....	1	RADIADOR Y ENFRIADOR DE ACEITE HIDRÁULICO (GR) .....	44
CHASIS (CONFIG) .....	1	RADIADOR (GR) .....	46
CONFIGURACIÓN COMÚN .....	1	<b>SISTEMA DE AIRE DE ADMISIÓN Y ESCAPE</b> .....	48
CONFIGURACIÓN DE TRANSFORMACIÓN PARA CERTIFICACIÓN .....	2	FILTRO DE AIRE (GR) .....	48
MÁQUINA DE CONVERSIÓN (CONFIG) .....	3	TAPA DE ADMISIÓN DE AIRE (GR) .....	50
<b>CONFIGURACION DE MOTOR</b> .....	8	EXTENSIÓN DEL ESCAPE (GR) .....	51
MOTOR PRIMARIO (CONFIG) .....	8	AIRE - TUBERÍAS DE (GR) .....	53
CONFIGURACIÓN DE INSTALACIÓN DEL MOTOR .....	9	SILENCIADOR (GR) .....	57
<b>MOTOR BÁSICO</b> .....	10	ANTEFILTRO (GR) .....	58
ÁRBOL DE LEVAS (GR) .....	10	TURBOCOMPRESOR (GR) .....	59
TAPA DEL MECANISMO DE VÁLVULAS (GR) .....	11	<b>SISTEMA DE COMBUSTIBLE</b> .....	61
CIGÜEÑAL (GR) .....	13	CABLE DE CONTROL DE REGULADOR (GR) .....	61
BLOQUE MOTOR (GR) .....	15	CONTROL DE REGULADOR (GR) .....	62
CULATA DE CILINDROS (GR) .....	18	FILTRO Y TUBERÍAS DE COMBUSTIBLE (GR) .....	65
DRENAJE DEL ACEITE DE MOTOR .....	20	FILTRO DE COMBUSTIBLE (GR) .....	68
IMPULSOR DE VENTILADOR (GR) .....	21	PROTECTOR DE BOMBA DE INYECCION DE COMBUSTIBLE (GR) .....	70
VOLANTE (GR) .....	22	BOMBA DE INYECCIÓN DE COMBUSTIBLE (GR) .....	71
VOLANTE - CAJA DE (GR) .....	23	TANQUE DE COMBUSTIBLE Y GRUPO DE MONTAJE .....	73
CAJA DELANTERA (GR) .....	24	COMBUSTIBLE - TANQUE DE (GR) .....	75
CÁNCAMOS DE LEVANTAMIENTO DEL MOTOR (GR) .....	26	SEPARADOR DE AGUA Y BOMBA DE CEBADO DE COMBUSTIBLE (GR) .....	76
MONTAJE DEL MOTOR Y LA TRANSMISIÓN (GR) .....	27	<b>SISTEMA ELECTRICO Y DE ARRANQUE</b> .....	77
CÁRTER - COLECTOR DEL (GR) .....	28	CARGA - ALTERNADOR DE (GR) .....	77
PISTÓN Y BIELA (GR) .....	29	BATERÍA (GR) .....	78
TAPÓN DEL MOTOR (GR) .....	30	CNTR Y CABLES DE LA TRANSM ELECTRÓNICA (GR) .....	79
CIGÜEÑAL - POLEA DE (GR) .....	32	CONTROL DE DESCONEXIÓN DE LEVANTAMIENTO (GR) .....	81
VÁLVULA DE DRENAJE DEL COLECTOR DE ACEITE (GR) .....	33	CONTROL DE POSICION (GR) .....	82
MECANISMO DE VÁLVULAS (GR) .....	34	CONVERTIDOR ELÉCTRICO (GR) .....	83
<b>SISTEMA DE LUBRICACIÓN</b> .....	35	DISTRIBUIDOR ELECTRÓNICO (GR) .....	85
FILTRO DE ACEITE DEL MOTOR (GR) .....	35	ELECTRONICA DE LA MAQUINA (GR) .....	86
BOMBA DE ACEITE DEL MOTOR (GR) .....	36	BUJÍA INCANDESCENTE (GR) .....	87
VÁLVULA DE MUESTREO (GR) .....	37	AGUA DE LAS CAMISAS - CALENTADOR DEL (GR) .....	89
		INSTALACION DE SEGURIDAD (GR) .....	91

\* NO HAY TRADUCCION DISPONIBLE EN EL MOMENTO DE LA IMPRESION

# CONTENIDO

Nombre	Página	Nombre	Página
LÁMPARA DEL TECHO (GR) .....	93	CONTROL DE LA TRANSMISIÓN (GR) .....	175
REFLECTOR (GR) .....	94	TAPA HIDROSTÁTICA (GR) .....	179
LÁMPARA DE LUZ DELANTERA Y DE SEÑAL (GR) .....	96	TAPA DEL MOTOR (GR) .....	181
LÁMPARA DE FARO TRASERO (GR) .....	103	TAPAS PROTECTORAS DE EMBARQUE (GR) .....	182
LUZ DE SEÑAL DE GIRO (GR) .....	104	DIFERENCIAL (GR) .....	183
LUCES DE PARADA Y COLA (GR) .....	110	DIFERENCIAL DE DESLIZAMIENTO LIMITADO (GR) .....	184
LÁMPARA DE BALIZA DE ADVERTENCIA (GR) .....	111	MANDO DE TRANSFERENCIA (GR) .....	185
LUCES DE REFLECTOR Y SEÑAL (CONFIG) .....	112	FILTRO DE ACEITE (GR) .....	187
*LIGHTING AR-ROADING .....	112	CORONA (GR) .....	188
LUCES DE DESPLAZAMIENTO (CONFIG) .....	113	CABEZA DE MOTOR DE PISTONES (GR) .....	192
LUCES AUXILIARES (GR) .....	114	CABEZA DE BOMBA (GR) .....	196
LUCES DE REFLECTOR (GR) .....	115	CAJA DEL EJE OSCILANTE (GR) .....	198
LUCES DE REFLECTOR Y CAMBIO DE DIRECCION (GR) .....	120	CAJA DE EJE OSCILANTE (GR) .....	200
LUCES DE DESPLAZAMIENTO (GR) .....	122	TUBERÍAS HIDROSTÁTICAS (GR) .....	202
LUCES DE GIRO (GR) .....	126	TUBERÍAS HIDROSTÁTICAS DE LA CAJA DE TRANSMISIÓN (GR) .....	204
LUCES DE ADVERTENCIA (GR) .....	128	TUBERÍAS DEL FILTRO DEL TREN DE FUERZA (GR) .....	208
MOTOR ELÉCTRICO (GR) .....	130	PISTONES DEL MOTOR (GR) .....	210
CONFIGURACIÓN PARA CARRETERA .....	131	EJE - GRUPO DE MONTAJE .....	212
MOTOR DE ARRANQUE ELÉCTRICO (GR) .....	132	MONTAJE DEL MOTOR (GR) .....	214
DISYUNTOR (GR) .....	133	MONTAJE DE LA BOMBA (GR) .....	216
INTERRUPTOR MAGNÉTICO (GR) .....	135	TREN DE FUERZA (CONFIG) .....	217
INTERRUPTOR DE PRESIÓN (GR) .....	137	BOMBA DE CARGA HIDRÁULICA (GR) .....	218
INTERRUPTOR PARA LA TEMPERATURA (GR) .....	138	BOMBA DE PISTONES (GR) .....	220
INTERRUPTOR DEL LIMPIADOR (GR) .....	139	LLANTA (CONFIG) .....	222
RETROCESO - ALARMA DE (GR) .....	140	ARO DESMONTABLE (GR) .....	223
CABLES DE LA CABINA (GR) .....	142	GRUPO DE ROTACIÓN DEL MOTOR (GR) .....	226
CABLES DEL CHASIS (GR) .....	150	GRUPO GIRATORIO DE BOMBA .....	230
CABLES DEL MOTOR (GR) .....	153	EJE DE MANDO (GR) .....	232
CABLES DELANTEROS (GR) .....	157	JUNTA DESLIZANTE (GR) .....	233
CABLES DEL TREN DE FUERZA (GR) .....	159	ARO Y RUEDA .....	234
CABLES POSTERIORES (GR) .....	160	ARO Y LLANTA (GR) .....	236
CABLES DE CONTROL DE AMORTIGUACIÓN (GR) .....	162	VÁLVULA PILOTO (GR) .....	237
CABLES DE LA DIRECCIÓN SECUNDARIA .....	163	VALVULA DE CONTROL DE LA BOMBA (GR) .....	243
<b>TREN DE FUERZA</b> .....	<b>165</b>	VÁLVULA DE ALIVIO (GR) .....	245
ACTIVADOR DE LA BOMBA (GR) .....	165	VÁLVULA DE ROTACIÓN (GR) .....	246
EJE FIJO (CONFIG) .....	167	VÁLVULA DE SOLENOIDE Y MÚLTIPLE (GR) .....	247
EJE OSCILANTE (CONFIG) .....	168	VÁLVULA DE DETECCIÓN DE VELOCIDAD (GR) .....	248
FRENO Y PLANETARIOS (GR) .....	170	VÁLVULA DEL NEUMÁTICO (GR) .....	249
VELOCIDAD DE CONTROL (CONFIG) .....	171	<b>BASTIDOR Y CAJA</b> .....	<b>250</b>
CONTROL DE MARCHA ULTRALENTA (GR) .....	172	DEFLECTOR DEL RADIADOR .....	250
*CONTROL GP-TMSN & JOYSTICK .....	174	CONFIGURACIÓN DE TRANSFORMACIÓN PARA CARRETERA .....	252

\* NO HAY TRADUCCION DISPONIBLE EN EL MOMENTO DE LA IMPRESION

# CONTENIDO

Nombre	Página	Nombre	Página
CONTRAPESO (GR) .....	259	<b>SISTEMA HIDRÁULICO</b> .....	328
GUARDABARROS PARA DESPLAZAMIENTO EN CARRETERA (GR) .....	262	ACUMULADOR HIDRAULICO (GR) .....	328
MAMPARA ANTITÉRMICA (GR) .....	265	ACUMULADOR DE CONTROL DE AMORTIGUACION (GR) .....	330
BASTIDOR DEL CARGADOR (GR) .....	266	BLOQUE HIDRÁULICO (GR) .....	331
BASTIDOR TRASERO (GR) .....	267	CONTROL DE DESPLAZAMIENTO Y TUBERÍAS (GR) .....	332
PROTECTOR INFERIOR (GR) .....	269	CONTROL DE AMORTIGUACIÓN (CONFIG) .....	334
PROTECTOR DE LAS TUBERÍAS (GR) .....	271	CONTROL HIDRÁULICO DE OPERACIÓN PILOTO (GR) .....	335
PROTECTOR DEL TREN DE FUERZA (GR) .....	274	CONVERSIÓN HIDRÁULICA (CONFIG) .....	341
ENGANCHE ARTICULADO (GR) .....	275	CILINDRO DEL ACOPLADOR (GR) .....	342
CAPO Y PROTECTOR (GR) .....	277	CILINDRO DE LEVANTAMIENTO (GR) .....	343
CAPÓ (GR) .....	281	INCLINACIÓN HORIZONTAL - CILINDRO DE (GR) .....	344
ESCALERILLA (GR) .....	286	DRENAJE DE SEGURIDAD ECOLÓGICA (GR) .....	345
TUBERÍAS DE ENGRASE (GR) .....	288	HIDRÁULICA (CONFIG) .....	346
TIRANTE DE TRABA DEL BASTIDOR DE DIRECCIÓN (GR) .....	289	CONFIGURACIÓN HIDRÁULICA DE 2 VÁLVULAS .....	346
REFLECTOR (GR) .....	290	VÁLVULA HIDRÁULICA DE 3 VÍAS (CONFIG) .....	346
INSONORIZADOR (CONFIG) .....	291	VÁLVULA HIDRÁULICA DE 4 VÍAS (CONFIG) .....	347
INSONORIZADOR (GR) .....	292	POSICIONADOR DEL CUCHARÓN Y DESCONEXIÓN (GR) .....	348
<b>SISTEMA DE FRENOS</b> .....	293	TUBERÍAS DEL ACUMULADOR (GR) .....	350
ACUMULADOR DEL FRENO (GR) .....	293	TUBERÍAS DELANTERAS (GR) .....	352
CONTROL DEL FRENO DE ESTACIONAMIENTO .....	296	TUBERÍAS HIDRÁULICAS (GR) .....	356
FRENO DE SERVICIO - CONTROL (GR) .....	299	TUBERÍAS DEL ENFRIADOR DE ACEITE HIDRÁULICO (GR) .....	360
TUBERÍAS DEL FRENO DE SERVICIO (GR) .....	301	CILINDRO DE LEVANTAMIENTO - TUBERÍAS DEL (GR) .....	361
GRUPO DE MULTIPLE-ACUMULADOR DE FRENO .....	303	TUBERÍAS CON SERVOMANDO (GR) .....	364
<b>SISTEMA DE DIRECCIÓN</b> .....	304	BOMBA - TUBERÍAS DE (GR) .....	376
CONTROL DE DIRECCIÓN (GR) .....	304	TUBERÍAS DEL CILINDRO DE INCLINACIÓN (GR) .....	379
CONVERSION DE DIRECCION SECUNDARIA (CONFIG) .....	308	TRABA DE CONTROL HIDRÁULICO MANUAL (GR) .....	381
CILINDRO DE DIRECCIÓN Y MONTAJE (GR) .....	309	GRUPO DE PIVOTE, VÁLVULA PILOTO .....	382
CILINDRO DE DIRECCIÓN (GR) .....	310	GRUPO DE PLANCHA, VÁLVULA PILOTO .....	383
TUBERÍAS DE LA DIRECCIÓN SECUNDARIA (GR) .....	312	BOMBA DE DIRECCIÓN E IMPLEMENTOS Y MONTAJE (GR) .....	387
TUBERÍAS DE DIRECCIÓN (GR) .....	314	TANQUE DE EXPANSIÓN (GR) .....	388
TRABA DE CILINDRO DE DIRECCIÓN (GR) .....	318	TANQUE HIDRÁULICO (GR) .....	390
BOMBA Y MOTOR DE DIRECCION SECUNDARIA (GR) .....	319	MONTAJE Y VALVULA DEL CONTROL PRINCIPAL (GR) .....	394
BOMBA DE ENGRANAJES (GR) .....	320	VÁLVULAS HIDRÁULICAS - GRUPO DE 2 .....	400
DOSIFICACIÓN - BOMBA DE (GR) .....	321		
DIRECCIÓN (CONFIG) .....	325		
DIRECCIÓN SECUNDARIA (CONFIG) .....	325		
COLUMNA DE DIRECCIÓN (GR) .....	326		
VALVULA DE DIRECCION SECUNDARIA (GR) .....	327		

\* NO HAY TRADUCCION DISPONIBLE EN EL MOMENTO DE LA IMPRESION

# CONTENIDO

Nombre	Página	Nombre	Página
GRUPO DE 3 VÁLVULAS HIDRÁULICAS .....	401	COMPRESOR DE REFRIGERANTE (GR) .....	470
GRUPO DE 4 VÁLVULAS HIDRÁULICAS .....	402	CONDENSADOR DE REFRIGERANTE (GR) .....	473
VÁLVULA DE CONTROL (GR) .....	404	CONFIGURACIÓN DE LA TRANSFORMACIÓN DEL	
VÁLVULA DE DRENAJE (GR) .....	406	ACONDICIONADOR DE AIRE .....	474
VÁLVULA PILOTO (GR) .....	407	TAPA DE LA CONSOLA (GR) .....	475
VALVULA PILOTO DE CARTUCHO (GR) .....	415	CONSOLA (GR) .....	476
VÁLVULA DE ALIVIO (GR) .....	420	DESCONGELADOR DE LA CABINA (GR) .....	477
VÁLVULA DE CORTE (GR) .....	423	PUERTA DE CABINA .....	478
VÁLVULA DE SOLENOIDE (GR) .....	425	CONDUCTO DE AIRE (GR) .....	491
<b>IMPLEMENTOS</b> .....	427	EXTENSIÓN DEL RESPALDO (GR) .....	492
SOPORTE DE TRANSPORTE (GR) .....	427	FILTRO DE AIRE DE LA CABINA (GR) .....	493
CONTROL DEL CUCHARÓN (GR) .....	428	PROTECTOR DE LA VENTANA .....	494
<b>HERRAMIENTAS</b> .....	430	CALEFACCIÓN Y MONTAJE DE LA CABINA (GR) .....	496
GRUPO DE PUNTA Y ADAPTADOR .....	430	CALEFACCIÓN DE LA CABINA (CONFIG) .....	497
CUCHARON PARA PENETRACIÓN (CONJ) .....	431	CALEFACCIÓN DE LA CABINA (GR) .....	498
CUCHARÓN DE USO GENERAL (GR) .....	434	CAJA DE LA SUSPENSIÓN DEL ASIENTO (GR) .....	500
PENETRACIÓN DEL CUCHARÓN .....	436	INSTALACIÓN DE RADIO (GR) .....	503
*BUCKET GP-ROCK .....	437	JUEGO-ASIENTO DE COMPRESOR DE AIRE .....	507
ACOPLADOR RÁPIDO (GR) .....	438	REVESTIMIENTO DE LA CABINA (GR) .....	508
GRUPO DE CANTONERA Y CUCHILLA .....	441	TUBERÍAS DE ACONDICIONADOR DE AIRE (GR) .....	515
GRUPO DE PROTECTOR DEL CUCHARON .....	443	TUBERÍAS DE CALEFACCIÓN DE LA CABINA .....	519
JUEGO DE ACOPLADOR RAPIDO .....	444	TUBERÍAS DE LA CALEFACCIÓN (GR) .....	521
PUNTA LARGA (GR) .....	445	PUBLICACIONES (GR) .....	522
<b>PUESTO DEL OPERADOR</b> .....	447	RETROVISOR IZQUIERDO (GR) .....	523
ACUMULADOR DEL ACONDICIONADOR DE AIRE (GR) .....	447	RETROVISOR (GR) .....	524
AJUSTADOR DEL ASIENTO (GR) .....	449	RETROVISOR DERECHO (GR) .....	530
COMPRESOR DE AIRE DEL ASIENTO (GR) .....	450	MÓDULO INDICADOR DE ADVERTENCIA (GR) .....	531
ACONDICIONADOR DE AIRE Y MONTAJE (GR) .....	451	GRUPO DE MONTAJE DE LA CABINA .....	533
ACONDICIONADOR DE AIRE (CONFIG) .....	453	COMPARTIMIENTO DEL OPERADOR (CONFIG) .....	534
ACONDICIONADOR DE AIRE (GR) .....	454	CABINA ROPS ABIERTA (CONFIG) .....	534
POSABRAZOS (GR) .....	457	SOPORTE DEL RESPALDO (GR) .....	535
CABINA (CONFIG) .....	462	CUBIERTA INFERIOR DEL ASIENTO DEL OPERADOR (GR) .....	538
SISTEMA ROPS DE CABINA CERRADA (CONFIG) .....	463	TABLERO DE INSTRUMENTOS (GR) .....	540
CABINA INCLUYE ROPS (GR) .....	464	PEDAL DE FRENO (GR) .....	552
TECHO ROPS ABIERTO (CONFIG) .....	466	REGULADOR - PEDAL DEL (GR) .....	553
PABELLÓN (CONFIG) .....	466	PLATAFORMA (CONFIG) .....	554
TECHO ROPS ABIERTO (GR) .....	467	PLATAFORMA (GR) .....	555
TECHO TIPO TOLDO (GR) .....	468	PLATAFORMA DE LA CABINA .....	557
		RECLINACION DE ASIENTO (GR) .....	558

\* NO HAY TRADUCCION DISPONIBLE EN EL MOMENTO DE LA IMPRESION

# CONTENIDO

Nombre	Página	Nombre	Página
CABINA ROPS CERRADA (GR) . . . . .	559		
ESTRUCTURA ROPS ABIERTA (GR) . . . . .	560		
PERSIANA PARA EL SOL (GR) . . . . .	562		
CINTURÓN DE SEGURIDAD (GR) . . . . .	563		
ASIENTO (GR) . . . . .	566		
SUSPENSIÓN - ASIENTO CON (GR) . . . . .	573		
VELOCÍMETRO (GR) . . . . .	584		
SOPORTE DEL ASIENTO (GR) . . . . .	585		
INSONORIZADOR (GR) . . . . .	586		
ASIENTO CON SUSPENSIÓN (GR) . . . . .	587		
TANQUE DEL LAVAPARABRISAS (GR) . . . . .	591		
VISERA (GR) . . . . .	592		
LAVAPARABRISAS DE LA VENTANA (GR) . . . . .	593		
VENTANA DE LA PUERTA (GR) . . . . .	594		
LIMPIAPARABRISAS DE LA VENTANA (GR) . . . . .	595		
<b>EQUIPO DE SERVICIO Y SUMINISTROS . . . . .</b>	<b>597</b>		
CAJA DE HERRAMIENTAS GR . . . . .	597		
ETIQUETA DE ADVERTENCIA (GR) . . . . .	598		
CALCOMANÍAS Y PLACAS DE IDENTIFICACIÓN (GR) . . . . .	599		
<b>INDICE DE NUMEROS DE PIEZA . . . . .</b>	<b>B1</b>		

\* NO HAY TRADUCCION DISPONIBLE EN EL MOMENTO DE LA IMPRESION

# ÍNDICE

Designação	Página	Designação	Página
<b>INFORMAÇÃO GERAL</b> .....	A34	ARREFECEDOR DE ÓLEO DO MOTOR E BASE DO FILTRO .....	39
<b>ALTERNATIVAS DE REPARO</b> .....	A45	VENTILADOR DE SUCÇÃO .....	41
<b>ADITIVOS SUPLEMENTARES DO LÍQUIDO ARREFECEDOR</b> .....	A50	BOMBA DE ÁGUA .....	42
<b>PEÇAS DE MANUTENÇÃO</b> .....	A67	RADIADOR E ARREFECEDOR DO ÓLEO HIDRÁULICO .....	44
<b>ÍNDICE</b> .....	A105	RADIADOR .....	46
<b>MÁQUINA - ARRANJO</b> .....	1	<b>SISTEMA DA ADMISSÃO DE AR E DE ESCAPE</b> .....	48
CHASSI .....	1	PURIFICADOR DE AR .....	48
ARRANJO BÁSICO .....	1	TAMPA - ADMISSÃO DE AR .....	50
GR. DE CONVERSÃO - CERTIFICADO .....	2	EXTENSÃO DO TUBO DE ESCAPE .....	51
MÁQUINA - CONVERSÃO .....	3	TUBOS - AR .....	53
<b>MOTOR - ARRANJO</b> .....	8	SILENCIADOR .....	57
MOTOR PRIMÁRIO .....	8	PRÉ-PURIFICADOR .....	58
GRUPO DE INSTALAÇÃO - MOTOR .....	9	TURBOALIMENTADOR .....	59
<b>MOTOR BÁSICO</b> .....	10	<b>SISTEMA DE COMBUSTÍVEL</b> .....	61
EIXO-COMANDO DE VÁLVULA .....	10	CABO - CONTROLE DO GOVERNADOR .....	61
TAMPA - MECANISMO DAS VÁLVULAS .....	11	CONTROLE DO GOVERNADOR .....	62
VIRABREQUIM .....	13	FILTRO E TUBOS - COMBUSTÍVEL .....	65
BLOCO DO MOTOR .....	15	FILTRO - COMBUSTÍVEL .....	68
CABEÇOTE DO MOTOR .....	18	PROTEÇÃO - BOMBA DE INJEÇÃO DE COMBUSTÍVEL .....	70
DRENO - ÓLEO DO MOTOR .....	20	BOMBA DE INJEÇÃO DO COMBUSTÍVEL .....	71
COMANDO DO VENTILADOR .....	21	TANQUE DE COMBUSTÍVEL E MONTAGEM .....	73
VOLANTE DO MOTOR .....	22	TANQUE DE COMBUSTÍVEL .....	75
CAIXA DO VOLANTE DO MOTOR .....	23	SEPARADOR DE ÁGUA E BOMBA DE ESCORVA DE COMBUSTÍVEL .....	76
CAIXA DIANTEIRA .....	24	<b>SISTEMA ELÉTRICO E DE PARTIDA</b> .....	77
LEVANTAMENTO DO MOTOR .....	26	ALTERNADOR DE CORRENTE .....	77
MONTAGEM - MOTOR E TRANSMISSÃO .....	27	BATERIA .....	78
CÁRTER DO ÓLEO DO MOTOR .....	28	CONTROLE ELETRÔNICO DA TRANSMISSÃO E CABOS/FIOS ELÉTRICOS .....	79
PISTÃO E BIELA .....	29	CONTROLE - DESENGATE AUTOMÁTICO DE LEVANTAMENTO .....	81
BUJÃO DO MOTOR .....	30	CONTROLE - POSIÇÃO .....	82
POLIA DO VIRABREQUIM .....	32	CONVERSOR ELÉTRICO .....	83
VÁLVULA DE DRENAGEM DO CÁRTER .....	33	DISTRIBUIDOR ELETRÔNICO .....	85
MECANISMO DAS VÁLVULAS .....	34	SISTEMA ELETRÔNICO - MÁQUINA .....	86
<b>SISTEMA DE LUBRIFICAÇÃO</b> .....	35	VELA DE AQUECIMENTO; VELA INCANDESCENTE .....	87
FILTRO - ÓLEO DO MOTOR .....	35	AQUECEDOR DA ÁGUA DO MOTOR .....	89
BOMBA DE ÓLEO - MOTOR .....	36	INSTALAÇÃO-SEGURANÇA .....	91
VÁLVULA PARA TIRAR AMOSTRAS DE FLUIDOS .....	37	LÂMPADA - TETO .....	93
<b>SISTEMA DE ARREFECIMENTO</b> .....	38	LÂMPADA - FAROL .....	94
CONEXÃO - TUBO D'ÁGUA .....	38	LÂMPADA DIANTEIRA E DE SINAL .....	96

\* TRADUÇÃO NÃO DISPONÍVEL NO MOMENTO DA IMPRESSÃO

# ÍNDICE

Designação	Página	Designação	Página
LUZ TRASEIRA .....	103	DIFERENCIAL .....	183
LÂMPADA - SINALIZAÇÃO .....	104	DIFERENCIAL - DESLIZAMENTO	
LUZ TRASEIRA E DE FREIO .....	110	LIMITADO .....	184
LUZ GIRATÓRIA DE ALARME .....	111	COMANDO DE TRANSFERÊNCIA .....	185
ILUMINAÇÃO - FAROL E		FILTRO - ÓLEO .....	187
SINALIZAÇÃO .....	112	ENGRENAGEM - COROA .....	188
*LIGHTING AR-ROADING .....	112	CABEÇOTE DO MOTOR .....	192
ILUMINAÇÃO RODOVIÁRIA .....	113	CABEÇA DA BOMBA .....	196
ILUMINAÇÃO - AUXILIAR .....	114	CAIXA - EIXO FIXO .....	198
SISTEMA DE ILUMINAÇÃO - FARÓIS .....	115	CAIXA - EIXO OSCILANTE .....	200
SISTEMA DE ILUMINAÇÃO - FARÓIS E		TUBOS - SISTEMA HIDROSTÁTICO .....	202
SINAL .....	120	TUBOS - CAIXA DO SISTEMA	
ILUMINAÇÃO - RODOVIÁRIA .....	122	HIDROSTÁTICO .....	204
ILUMINAÇÃO - SINALIZAÇÃO .....	126	TUBOS - FILTRO DO TREM DE	
SISTEMA DE ILUMINAÇÃO -		FORÇA .....	208
ADVERTÊNCIA .....	128	MOTOR - PISTÃO .....	210
MOTOR ELÉTRICO .....	130	MONTAGEM DO EIXO .....	212
ARRANJO RODOVIÁRIO .....	131	MONTAGEM DO MOTOR .....	214
MOTOR ELÉTRICO DE PARTIDA .....	132	MONTAGEM - BOMBA .....	216
CHAVE GERAL .....	133	TREM DE FORÇA .....	217
INTERRUPTOR - MAGNÉTICO .....	135	BOMBA DE CARGA .....	218
INTERRUPTOR - PRESSÃO .....	137	BOMBA DE PISTÃO .....	220
INTERRUPTOR - TEMPERATURA .....	138	ARO .....	222
INTERRUPTOR - LIMPADOR DO		ARO DESMONTÁVEL .....	223
PÁRA-BRISA .....	139	MOTOR DO GRUPO ROTATIVO .....	226
ALARME DE MARCHA À RÉ .....	140	GRUPO ROTATIVO DA BOMBA .....	230
CABOS/FIOS ELÉTRICOS - CABINE .....	142	EIXO DE TRANSMISSÃO .....	232
CABOS/FIOS ELÉTRICOS - CHASSI .....	150	JUNTA CORREDIÇA .....	233
CABOS/FIOS ELÉTRICOS - MOTOR .....	153	PNEU E ARO .....	234
CABOS/FIOS ELÉTRICOS -		VÁLVULA DE CONTROLE PILOTO .....	237
DIANTEIROS .....	157	VÁLVULA DE CONTROLE DA BOMBA .....	243
CABOS/FIOS ELÉTRICOS - TREM DE		VÁLVULA DE ALÍVIO .....	245
FORÇA .....	159	VÁLVULA GIRATÓRIA .....	246
CABOS/FIOS ELÉTRICOS -		VÁLVULA - COLETOR E SOLENÓIDE .....	247
TRASEIROS .....	160	VÁLVULA - SENSOR DE	
CABOS/FIOS ELÉTRICOS - ABSORÇÃO DE		VELOCIDADE .....	248
IMPACTOS .....	162	VÁLVULA DE PNEU .....	249
CABOS/FIOS ELÉTRICOS - DIREÇÃO			
SECUNDÁRIA .....	163	<b>CHASSI E CARROCERIA .....</b>	<b>250</b>
<b>TREM DE FORÇA .....</b>	<b>165</b>	DEFLETOR DO RADIADOR .....	250
ACIONADOR DA BOMBA .....	165	GRUPO DE CONVERSÃO - ARRANJO	
EIXO FIXO .....	167	RODOVIÁRIO .....	252
EIXO OSCILANTE .....	168	CONTRAPESO .....	259
FREIOS E ENGRENAGENS		PÁRA-LAMA .....	262
PLANETARIAS .....	170	PAINEL TRASEIRO DO MOTOR .....	265
CONTROLE DE VELOCIDADE .....	171	CHASSI DIANTEIRO .....	266
CONTROLE - DESLIZADOR .....	172	CHASSI TRASEIRO .....	267
*CONTROL GP-TMSN & JOYSTICK .....	174	PROTETOR INFERIOR .....	269
CONTROLE DA TRANSMISSÃO .....	175	PROTETOR - TUBOS .....	271
TAMPA HIDROSTÁTICA .....	179	PROTETOR - TREM DE FORÇA .....	274
TAMPA - MOTOR .....	181	ENGATE - ARTICULAÇÃO .....	275
TAMPA - EMBARQUE .....	182	CAPÔ E PROTETOR .....	277
		CAPÔ .....	281

\* TRADUÇÃO NÃO DISPONÍVEL NO MOMENTO DA IMPRESSÃO

# ÍNDICE

Designação	Página	Designação	Página
ESCADA .....	286	CILINDRO DE INCLINAÇÃO .....	344
TUBOS - GRAXA .....	288	DRENO - ECOLOGIA .....	345
ELO - TRAVA DA ARMAÇÃO DA DIREÇÃO .....	289	COMANDO HIDRÁULICO .....	346
REFLETOR .....	290	ARRANJO HIDRÁULICO - 2 VÁLVULAS .....	346
RUÍDO - ARRANJO PARA SUPRESSÃO .....	291	ARRANJO HIDRÁULICO - 3 VÁLVULAS .....	346
REDUÇÃO DE RUÍDO .....	292	ARRANJO HIDRÁULICO - 4 VÁLVULAS .....	347
<b>SISTEMA DE FREIO</b> .....	293	DESENGATE E POSICIONADOR DA ÇAÇAMBA .....	348
ACUMULADOR - FREIO .....	293	TUBOS - ACUMULADOR .....	350
CONTROLE DO FREIO DE ESTACIONAMENTO .....	296	TUBOS - DIANTEIROS .....	352
CONTROLE DO FREIO DE SERVIÇO .....	299	TUBOS - ÓLEO HIDRÁULICO .....	356
TUBOS - FREIO DE SERVIÇO .....	301	TUBOS - ARREFECEDOR DE ÓLEO HIDRÁULICO .....	360
COLETOR - ACUMULADOR DO FREIO .....	303	TUBOS - CILINDRO DE LEVANTAMENTO .....	361
<b>SISTEMA DE DIREÇÃO</b> .....	304	TUBOS - CIRCUITO PILOTO .....	364
CONTROLE DE DIREÇÃO .....	304	TUBOS - BOMBA .....	376
CONVERSÃO-DIREÇÃO SUPLEMENTAR .....	308	TUBOS - CILINDRO DE INCLINAÇÃO .....	379
CILINDRO DE DIREÇÃO E MONTAGEM .....	309	TRAVA - CONTROLE MANUAL HIDRÁULICO .....	381
CILINDRO DA DIREÇÃO .....	310	ARTICULAÇÃO DA VÁLVULA PILOTO .....	382
TUBOS - DIREÇÃO SECUNDÁRIA .....	312	PLACA DA VÁLVULA PILOTO .....	383
TUBOS - DIREÇÃO .....	314	BOMBA DE DIREÇÃO E ACESSÓRIO E MONTAGEM .....	387
TRAVA - CILINDRO DA DIREÇÃO .....	318	TANQUE DE EXPANSÃO .....	388
BOMBA DE DIREÇÃO SECUNDÁRIA E MOTOR .....	319	TANQUE HIDRÁULICO .....	390
BOMBA DE ENGRENAGENS .....	320	VÁLVULA DO CONTROLE PRINCIPAL E MONTAGEM .....	394
BOMBA REGULADORA .....	321	GRUPO DE VÁLVULAS DE CONTROLE - DUPLO .....	400
DIREÇÃO .....	325	GRUPO DE VÁLVULAS DE CONTROLE - TRIPLO .....	401
DIREÇÃO SECUNDÁRIA .....	325	GRUPO DE VÁLVULAS DE CONTROLE - QUÁDRUPLO .....	402
COLUNA DA DIREÇÃO .....	326	VÁLVULA DE CONTROLE .....	404
VÁLVULA DE DIREÇÃO SECUNDÁRIA .....	327	VÁLVULA DE DRENAGEM .....	406
<b>SISTEMA HIDRÁULICO</b> .....	328	VÁLVULA DE CONTROLE PILOTO .....	407
ACUMULADOR HIDRÁULICO .....	328	VÁLVULA DO CARTUCHO PILOTO .....	415
ACUMULADOR DO SISTEMA DE ABSORÇÃO DE IMPACTOS .....	330	VÁLVULA DE ALÍVIO .....	420
BLOCO HIDRÁULICO .....	331	VÁLVULA DE PARADA .....	423
SISTEMA DE ABSORÇÃO DE IMPACTOS E TUBOS .....	332	VÁLVULA SOLENÓIDE .....	425
SISTEMA DE ABSORÇÃO DE IMPACTOS .....	334	<b>ACESSÓRIOS</b> .....	427
CONTROLE HIDRÁULICO DE OPERAÇÃO PILOTO .....	335	SUORTE PARA TRANSPORTE .....	427
ARRANJO DE CONVERSÃO - HIDRÁULICO .....	341	CONTROLE DA CAÇAMBA .....	428
CILINDRO - ACOPLADOR .....	342	<b>FERRAMENTAS DE TRABALHO</b> .....	430
CILINDRO DE LEVANTAMENTO .....	343	ADAPTADOR DA PONTA .....	430
		ÇAÇAMBA PARA PENETRAÇÃO .....	431
		ÇAÇAMBA PARA APLICAÇÃO GERAL .....	434

\* TRADUÇÃO NÃO DISPONÍVEL NO MOMENTO DA IMPRESSÃO



# ÍNDICE

Designação	Página	Designação	Página
CAÇAMBA PARA PENETRAÇÃO .....	436	ESPELHO RETROVISOR - LADO	
*BUCKET GP-ROCK .....	437	DIREITO .....	530
ACOPLADOR RÁPIDO .....	438	MÓDULO - INDICADOR DE ALARME .....	531
BEIRA - PONTA CORTANTE .....	441	MONTAGEM - CABINE .....	533
PROTETOR - CAÇAMBA .....	443	CABINE .....	534
JOGO DE ACOPLAMENTO RÁPIDO .....	444	CABINE - ROPS ABERTA .....	534
PONTA LONGA .....	445	FUNDO - ENCOSTO .....	535
<b>ESTAÇÃO DO OPERADOR .....</b>	<b>447</b>	ASSENTO - FUNDO .....	538
ACUMULADOR - AR CONDICIONADO .....	447	PAINEL DE INSTRUMENTOS .....	540
AJUSTADOR DO ASSENTO .....	449	PEDAL DO FREIO .....	552
COMPRESSOR DE AR - ASSENTO .....	450	PEDAL DO GOVERNADOR .....	553
CONDICIONADOR DE AR E		PISO .....	554
MONTAGEM .....	451	PLATAFORMA .....	555
CONDICIONADOR DE AR .....	453	PLATAFORMA DO OPERADOR .....	557
BRAÇO DO ASSENTO .....	457	RECLINAÇÃO - ASSENTO .....	558
CABINE .....	462	ROPS FECHADA .....	559
CABINE - ESTRUTURA ROPS		ROPS ABERTA .....	560
COBERTA .....	463	TELA PÁRA-SOL .....	562
CABINE - ESTRUTURA DE PROTEÇÃO		CINTO DE SEGURANÇA .....	563
CONTRA CAPOTAMENTO .....	464	ASSENTO .....	566
TOLDO - ROPS ABERTA .....	466	ASSENTO COM SUSPENSÃO .....	573
TOLDO - FLEXÍVEL .....	466	VELOCÍMETRO .....	584
TOLDO - ESTRUTURA ROPS ABERTA .....	467	SUORTE - ASSENTO .....	585
TOLDO FLEXÍVEL .....	468	REDUÇÃO DE RUÍDO .....	586
COMPRESSOR DE REFRIGERANTE .....	470	SUSPENSÃO - ASSENTO .....	587
CONDENSADOR DE		TANQUE - LAVADOR DE JANELA .....	591
REFRIGERANTE .....	473	PÁRA-SOL DA CABINE .....	592
ARRANJO DE CONVERSÃO - AR		LAVADOR DO VIDRO .....	593
CONDICIONADO .....	474	VIDRO DA PORTA .....	594
TAMPA - CONSOLO .....	475	LIMPADOR DO VIDRO .....	595
PAINEL DE INSTRUMENTOS .....	476	<b>EQUIPAMENTOS DE SERVIÇO E</b>	
DESEMBAÇADOR DA CABINE .....	477	<b>SUPRIMENTOS .....</b>	<b>597</b>
PORTA DA CABINE .....	478	*TOOL BOX GP .....	597
DUCTO DE AR .....	491	DECALQUE .....	598
EXTENSÃO - ENCOSTO .....	492	PLACA E DECALQUE .....	599
FILTRO - AR DA CABINE .....	493		
PROTETOR - JANELA .....	494	<b>ÍNDICE DE NÚMERO DE PEÇA .....</b>	<b>B1</b>
AQUECEDOR DA CABINE E			
MONTAGEM .....	496		
AQUECEDOR DA CABINE .....	497		
CAIXA - SUSPENSÃO DO ASSENTO .....	500		
INSTALAÇÃO DO RÁDIO .....	503		
JOGO - COMPRESSOR DE AR DO			
ASSENTO .....	507		
REVESTIMENTO DA CABINE .....	508		
TUBOS - AR CONDICIONADO .....	515		
TUBOS - AQUECEDOR DA CABINE .....	519		
TUBOS - AQUECEDOR .....	521		
PUBLICAÇÃO .....	522		
ESPELHO RETROVISOR - LADO			
ESQUERDO .....	523		
ESPELHO RETROVISOR .....	524		

\* TRADUÇÃO NÃO DISPONÍVEL NO MOMENTO DA IMPRESSÃO

# INHALTSVERZEICHNIS

Bezeichnung	Seite	Bezeichnung	Seite
<b>ALLGEMEINE HINWEISE</b> .....	A38	KÜHLER .....	46
<b>REPARaturalTERNativen</b> .....	A46	<b>LUFTANSAUG- UND ABGASSYSTEM</b> .....	48
<b>KÜHLMITTELZUSATZ</b> .....	A51	LUFTREINIGER .....	48
<b>WARTUNGSTEILE</b> .....	A71	LUFTEINLASSDECKEL .....	50
<b>STICHWORTVERZEICHNIS</b> .....	A115	AUSPUFFROHRVERLÄNGERUNG .....	51
<b>MASCHINE</b> .....	1	DRUCKLUFTLEITUNGEN .....	53
FAHRWERK .....	1	SCHALLDÄMPFER .....	57
GRUNDAUSFÜHRUNG .....	1	VORREINIGER .....	58
UMBAUSATZ - ZULASSUNG .....	2	TURBOLADER .....	59
MASCHINEN-UMBAUSATZ .....	3	<b>KRAFTSTOFFSYSTEM</b> .....	61
<b>MOTOR</b> .....	8	DREHZAHlREGLERKABEL .....	61
MOTORAusFÜHRUNG .....	8	REGLERSTEUERUNG .....	62
MOTOR-EINBAUSATZ .....	9	KRAFTSTOFFFILTER UND LEITUN- GEN .....	65
<b>MOTOR (GRUNDAUSFÜHRUNG)</b> .....	10	KRAFTSTOFFFILTER .....	68
NOCKENWELLE .....	10	EINSPRITZPUMPENSCHUTZ .....	70
VENTILDECKEL .....	11	KRAFTSTOFFEINSPRITZPUMPE .....	71
KURBELWELLE .....	13	KRAFTSTOFFTANK U. BEFESTI- GUNG .....	73
MOTORBLOCK .....	15	KRAFTSTOFFTANK .....	75
ZYLINDERKOPF .....	18	WASSERABSCHIEDER U. KRAFTSTOF- FENTLÜFTUNGSPUMPE .....	76
MOTORÖLABLASS .....	20	<b>ELEKTRISCHE ANLAGE U. STARTSY- STEM</b> .....	77
LÜFTERANTRIEB .....	21	DREHSTROMGENERATOR .....	77
SCHWUNGRAD .....	22	BATTERIE .....	78
SCHWUNGRADGEHÄUSE .....	23	GETRIEBESTEUERUNG U. VERDRAH- TUNG .....	79
STIRNRADGEHÄUSE .....	24	HUBENDAUSCHALTE-REGELUNG .....	81
MOTORHUBÖSE .....	26	STELLUNGSSTEUERUNG .....	82
MOTOR- UND GETRIEBEAUFLAGER .....	27	ELEKTR. UMFORMER .....	83
ÖLWANNE .....	28	VERTEILER, ELEKTRON. ....	85
PLEUELSTANGE UND KOLBEN .....	29	ELEKTRONIK - MASCHINE .....	86
MOTORSTOPFEN .....	30	GLÜHKERZE .....	87
KURBELWELLEN-RIEMENSCHLEIBE .....	32	UMLAUFKÜHLWASSERHEIZUNG .....	89
ÖLWANNENABLASSVENTIL .....	33	SICHERHEITSEINBAUSATZ .....	91
VENTILSTEUERUNG .....	34	FAHRERHAUSBELEUCHTUNG .....	93
<b>SCHMIERSYSTEM</b> .....	35	ARBEITSLEUCHTEN .....	94
ÖLFILTER .....	35	SCHEINWERFER U. RICHTUNGSLEUCH- TE .....	96
SCHMIERPUMPE .....	36	LEUCHTE, HINTEN .....	103
PROBEENTNAHMEVENTIL .....	37	BLINKLEUCHTE .....	104
<b>KÜHLSYSTEM</b> .....	38	BREMS- UND RÜCKLEUCHTE .....	110
KÜHLWASSERANSCHLUSS .....	38	RUNDUM-KENNLEUCHTE .....	111
MOTORÖLKÜHLER UND FILTER- SOCKEL .....	39	ARBEITS- U. SIGNALBELEUCHTUNG .....	112
SAUGLÜFTER .....	41	*LIGHTING AR-ROADING .....	112
KÜHLWASSERPUMPE .....	42	BELEUCHTUNGSANLAGE (STRASSENAUS- RÜSTUNG) .....	113
KÜHLER UND HYDRAULIKÖLKÜH- LER .....	44	ZUSATZBELEUCHTUNG .....	114
		ARBEITSLEUCHTEN .....	115

\* ÜBERSETZUNG ZUM ZEITPUNKT DER DRUCKLEGUNG NICHT VORHANDEN

# INHALTSVERZEICHNIS

Bezeichnung	Seite	Bezeichnung	Seite
ARBEITS- U. SIGNALLEUCHE .....	120	BEFESTIGUNG (MOTOR) .....	214
BELEUCHTUNGSANLAGE (STRASSEN- RÜSTUNG) .....	122	PUMPENAUFHÄNGUNG .....	216
BLINKERLEUCHTEN .....	126	KRAFTÜBERTRAGUNG .....	217
WARNLEUCHTEN .....	128	LADEPUMPE .....	218
MOTOR, ELEKTR. ....	130	KOLBENPUMPE .....	220
AUSRÜSTUNG FÜR STRASSEN- FAHRT .....	131	FELGE .....	222
STARTERMOTOR .....	132	FELGE (TEILBAR) .....	223
TRENNSCHALTER .....	133	MOTORDREHVORRICHTUNG .....	226
MAGNETSCHALTER .....	135	KOLBENPUMPENUMLAUFSATZ .....	230
DRUCKSCHALTER .....	137	ANTRIEBSWELLE .....	232
TEMPERATURSCHALTER .....	138	ANTRIEBSWELLEN-KEILVERZAH- NUNG .....	233
SCHEIBENWISCHERSCHALTER .....	139	REIFEN UND FELGE .....	234
RÜCKFAHRWARNHORN .....	140	VORSTEUERVENTIL .....	237
FAHRERHAUSVERDRAHTUNG .....	142	PUMPENSTEUERVENTIL .....	243
FAHRGESTELLVERDRAHTUNG .....	150	ÜBERDRUCKVENTIL .....	245
MOTORVERDRAHTUNG .....	153	DREHSCHIEBERVENTIL .....	246
VERDRAHTUNG, VORNE .....	157	VENTILSOLENOID U. -KRÜMMER .....	247
KRAFTÜBERTRAGUNGSVERDRAH- TUNG .....	159	DREHZAHLGEBERVENTIL .....	248
VERDRAHTUNG, HINTEN .....	160	REIFENVENTIL .....	249
SCHWINGUNGSDÄMPFUNGSVERDRAH- TUNG .....	162	<b>RAHMEN UND FAHRGESTELL .....</b>	<b>250</b>
NOTLENKUNGSVERDRAHTUNG .....	163	KÜHLERLEITPLATTE .....	250
<b>KRAFTÜBERTRAGUNG .....</b>	<b>165</b>	UMBAUSATZ - FÜR STRASSENVER- KEHR .....	252
PUMPENSTELLGLIED .....	165	GEGENGEWICHT .....	259
STARRACHSE .....	167	SCHUTZBLECHE (STRASSEN- AUSRÜSTUNG) .....	262
PENDELACHSE .....	168	FEUERSCHUTZWAND .....	265
BREMSE UND PLANETENGETRIEBE .....	170	LADERRAHMEN .....	266
DREHZAHLSTEUERUNG .....	171	RAHMEN, HINTEN .....	267
KRIECHGANGSTEUERUNG .....	172	PANZERWANNE .....	269
*CONTROL GP-TMSN & JOYSTICK .....	174	LEITUNGSVERKLEIDUNG .....	271
GETRIEBESTEUERUNG .....	175	ANTRIEBSSCHUTZ .....	274
HYDROSTATIKDECKEL .....	179	KNICKGELENK-ANHÄNGUNG .....	275
MOTORABDECKUNG .....	181	MOTORHAUBE UND VERKLEIDUNG .....	277
VERSANDDECKEL .....	182	MOTORHAUBE .....	281
DIFFERENTIAL .....	183	STEIGLEITER .....	286
DIFFERENTIAL (BEGRENZTER SCHLUPF) .....	184	SCHMIERLEITUNGEN .....	288
VORGELEGEGETRIEBE .....	185	KNICKGELENKSPERRE .....	289
ÖLFILTER .....	187	REFLEKTOR .....	290
TELLERRAD .....	188	SCHALLDÄMPFUNG .....	291
MOTORDECKEL .....	192	<b>BREMSSYSTEM .....</b>	<b>293</b>
PUMPENKOPF .....	196	BREMSDRUCKSPEICHER .....	293
GEHÄUSE - STARRACHSE .....	198	FESTSTELLBREMSEGESTÄNGE .....	296
GEHÄUSE - PENDELACHSE .....	200	BREMSEGESTÄNGE .....	299
HYDROSTATIKLEITUNGEN .....	202	BETRIEBSBREMSELEITUNGEN .....	301
KRAFTÜBERTRAGUNGSFILTERLEITUN- GEN .....	208	BREMSDRUCKSPEICHERKRÜMMER .....	303
KOLBENMOTOR .....	210	<b>LENKSYSTEM .....</b>	<b>304</b>
ACHSENANBAUSATZ .....	212	LENKBETÄTIGUNG .....	304
		UMRÜSTSATZ - NOTLENKUNG .....	308

\* ÜBERSETZUNG ZUM ZEITPUNKT DER DRUCKLEGUNG NICHT VORHANDEN

# INHALTSVERZEICHNIS

Bezeichnung	Seite	Bezeichnung	Seite
LENKZYLINDER UND AUFHÄNGUNG . . . . .	309	ARBEITSGERÄTE- U. LENKPUMPE U.	
LENKZYLINDER . . . . .	310	BEFESTIGUNGSTEILE . . . . .	387
NOTLENKUNGSLEITUNGEN . . . . .	312	AUSGLEICHSBEHÄLTER . . . . .	388
LENKÖLLEITUNGEN . . . . .	314	HYDRAULIKTANK . . . . .	390
LENKZYLINDERSPERRE . . . . .	318	VENTIL UND BEFESTIGUNGSTEILE -	
NOTLENKUNGSPUMPE UND		HAUPTSTEUERUNG . . . . .	394
-MOTOR . . . . .	319	VENTILSATZ (2-VENTIL) . . . . .	400
ZAHNRADPUMPE . . . . .	320	VENTILSATZ (3-VENTIL) . . . . .	401
ZUMESSPUMPE . . . . .	321	VENTILSATZ (4-VENTIL) . . . . .	402
LENKUNG . . . . .	325	STEUERVENTIL . . . . .	404
NOTLENKUNG . . . . .	325	ABLASSVENTIL . . . . .	406
LENKSÄULE . . . . .	326	VORSTEUERVENTIL . . . . .	407
NOTLENKUNGSVENTIL . . . . .	327	EINBAUVORSTEUERVENTIL . . . . .	415
		ÜBERDRUCKVENTIL . . . . .	420
		ABSPERRVENTIL . . . . .	423
		MAGNETVENTIL . . . . .	425
<b>HYDRAULIKSYSTEM . . . . .</b>	<b>328</b>	<b>ARBEITSGERÄTE . . . . .</b>	<b>427</b>
HYDRAULIKDRUCKSPEICHER . . . . .	328	TRANSPORTHALTERUNG . . . . .	427
DRUCKSPEICHER, HYDRAULISCHE		SCHAUFELSTEUERUNG . . . . .	428
SCHWINGUNGSDÄMPFUNG . . . . .	330		
HYDRAULIKBLOCK . . . . .	331	<b>ARBEITSGERÄTE . . . . .</b>	<b>430</b>
SCHWINGUNGSDÄMPFUNG U.		ZAHNHALTER . . . . .	430
LEITUNGEN . . . . .	332	ERDBAUSCHAUFEL . . . . .	431
HYDRAULISCHE SCHWINGUNGSDÄMP-		UNIVERSALSCHAUFEL . . . . .	434
FUNG . . . . .	334	ERDBAUSCHAUFEL . . . . .	436
HYDRAULIKBEDIENUNG (MIT		*BUCKET GP-ROCK . . . . .	437
VORSTEUERUNG) . . . . .	335	SCHNELLWECHSELEINRICHTUNG . . . . .	438
HYDRAULIK-UMBAUSATZ . . . . .	341	SCHNEIDMESSER UND EINSATZ-	
SCHNELLWECHSELANSCHLUSSZYLIN-		STÜCK . . . . .	441
DER . . . . .	342	SCHAUFELSCHUTZ . . . . .	443
HUBZYLINDER . . . . .	343	SCHNELLWECHSELEINRICHTUNG -	
KIPPZYLINDER . . . . .	344	EINBAUSATZ . . . . .	444
ABLASS (UMWELTFREUNDLICH) . . . . .	345	ZAHNSPITZE, LANG . . . . .	445
HYDRAULIKSYSTEM . . . . .	346		
HYDRAULIKANORDNUNG (2-VENTIL-		<b>FAHRERHAUS . . . . .</b>	<b>447</b>
HYDRAULIK) . . . . .	346	KLIMAAANLAGENDRUCKSPEICHER . . . . .	447
HYDRAULIKANORDNUNG (3-VENTIL-		FAHRERSITZVERSTELLER . . . . .	449
HYDRAULIK) . . . . .	346	LUFTKOMPRESSORSITZ . . . . .	450
HYDRAULIKANORDNUNG (4-VENTIL-		KLIMAAANLAGE UND AUFHÄNGUNG . . . . .	451
HYDRAULIK) . . . . .	347	KLIMAAANLAGE . . . . .	453
SCHAUFELAUSSCHALTER UND		ARMLEHNE . . . . .	457
-EINSTELLER . . . . .	348	FAHRERHAUS . . . . .	462
DRUCKSPEICHERLEITUNGEN . . . . .	350	FAHRERHAUS MIT ÜBERROLL-	
LEITUNGEN, VORNE . . . . .	352	SCHUTZ . . . . .	463
HYDRAULIKLEITUNGEN . . . . .	356	OFFENES FAHRERHAUS MIT	
HYDRAULIKÖLKÜHLERLEITUNGEN . . . . .	360	ÜBERROLLSCHUTZ . . . . .	466
HUBZYLINDERLEITUNGEN . . . . .	361	WETTERDACH . . . . .	466
VORSTEUERLEITUNGEN . . . . .	364	FAHRERHAUS M. OFFENEM	
HYDRAULIKPUMPE UND LEITUN-		ÜBERROLLSCHUTZ . . . . .	467
GEN . . . . .	376	WETTERDACH . . . . .	468
NEIGEZYLLINDERLEITUNGEN . . . . .	379	KÄLTEMITTELKOMPRESSOR . . . . .	470
HYDRAULIKSPERRE (HANDBEDIE-		KÄLTEMITTELKONDENSATOR . . . . .	473
NUNG) . . . . .	381		
VORSTEUERVENTIL . . . . .	382		
VORSTEUERVENTILPLATTE . . . . .	383		

\* ÜBERSETZUNG ZUM ZEITPUNKT DER DRUCKLEGUNG NICHT VORHANDEN

# INHALTSVERZEICHNIS

Bezeichnung	Seite	Bezeichnung	Seite
KLIMAAANLAGEN-UMBAUSATZ . . . . .	474	SCHEIBENWISCHER . . . . .	595
STEUERKONSOLENABDECKUNG . . . . .	475	<b>WARTUNGSAUSRÜSTUNG UND</b>	
ARMATURENBRETT . . . . .	476	<b>-ZUBEHÖR . . . . .</b>	<b>597</b>
ENTFROSTER - FAHRERHAUS . . . . .	477	WERKZEUGKASTEN . . . . .	597
FAHRERHAUSTÜR . . . . .	478	AUFKLEBER . . . . .	598
LUFTKANAL . . . . .	491	SCHILD UND AUFKLEBER . . . . .	599
RÜCKLEHNENVERLÄNGERUNG . . . . .	492	<b>ERSATZTEILNUMMERNINDEX . . . . .</b>	<b>B1</b>
FAHRERHAUSLUFTFILTER . . . . .	493		
SCHEIBENSCHUTZ . . . . .	494		
FAHRERHAUSHEIZUNG U. BEFESTI- GUNGSTEILE . . . . .	496		
FAHRERHAUSHEIZUNG . . . . .	497		
FAHRERSITZFEDERUNGSGEHÄUSE . . . . .	500		
RADIOEINBAUSATZ . . . . .	503		
LUFTKOMPRESSORSITZ . . . . .	507		
FAHRERHAUSAUSKLEIDUNG . . . . .	508		
KLIMAAANLAGENLEITUNGEN . . . . .	515		
FAHRERHAUSHEIZUNGSLEITUN- GEN . . . . .	519		
HEIZUNGSLEITUNGEN . . . . .	521		
DOKUMENTATION . . . . .	522		
SPIEGEL, LINKS . . . . .	523		
RÜCKSPIEGEL . . . . .	524		
SPIEGEL, RECHTS . . . . .	530		
WARNANZEIGEMODUL . . . . .	531		
FAHRERHAUSANBAUSATZ . . . . .	533		
FAHRERHAUSAUSRÜSTUNG . . . . .	534		
FAHRERHAUS - OFFEN MIT ÜBERROLLSCHUTZ . . . . .	534		
SCHALE - RÜCKENLEHNE . . . . .	535		
FAHRERSITZVERKLEIDUNG . . . . .	538		
INSTRUMENTENTAFEL . . . . .	540		
BREMSPEDAL . . . . .	552		
GASPEDAL . . . . .	553		
FAHRERPLATTFORM . . . . .	554		
PLATTFORM . . . . .	555		
FAHRERPLATTFORM . . . . .	557		
VERSTELLBARER SITZ . . . . .	558		
ÜBERROLL-SCHUTZKABINE . . . . .	559		
ÜBERROLL-SCHUTZDACH . . . . .	560		
SONNENBLENDE . . . . .	562		
SICHERHEITSGURT . . . . .	563		
FAHRERSITZ . . . . .	566		
SCHWINGSITZ . . . . .	573		
GESCHWINDIGKEITSMESSER . . . . .	584		
SITZUNTERBAU . . . . .	585		
SCHALLDÄMPFUNG . . . . .	586		
FAHRERSITZFEDERUNG . . . . .	587		
SCHEIBENWASCHMITTELBEHÄL- TER . . . . .	591		
FAHRERHAUS, SONNENBLENDE . . . . .	592		
SCHEIBENWASCHANLAGE . . . . .	593		
TÜRFENSTER . . . . .	594		

\* ÜBERSETZUNG ZUM ZEITPUNKT DER DRUCKLEGUNG NICHT VORHANDEN

# GENERAL INFORMATION

## 1. MACHINE IDENTIFICATION

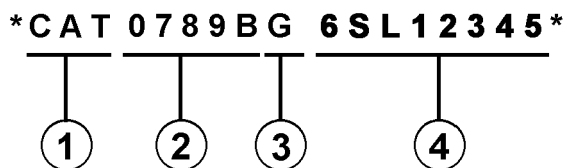
Caterpillar machines are identified by Product Identification Numbers (PIN). Some components included in a machine may be identified by Serial Numbers (S/N). Typical components that will be serialized include engines, transmissions, bulldozers, and rippers. The machine and engine are further identified by arrangement numbers and in some cases modification numbers. These numbers are shown on the product identification plate(s) and on the master plate in the operator's compartment.

Caterpillar dealers need all of these numbers to determine accurate parts identification.

### **New Feature**

Effective First Quarter 2001 the Caterpillar Product Identification Number (PIN) changed from 8 to 17 characters. In an effort to provide uniform equipment identification, Caterpillar and other construction equipment manufacturers are moving to comply with the latest version of the product identification numbering standard. Non-road machine PINs are defined by ISO 10261. The new PIN format will apply to all Caterpillar machines and generator sets. The PIN plates and frame marking will display the 17 character PIN. The new format will look like the following:

**\*CAT 0789BG 6SL12345\***



1      2      3      4

Where:

1. Caterpillar's World Manufacturing Code (characters 1-3)
2. Machine Descriptor (characters 4-8)
3. Check Character (character 9)
4. Machine Indicator Section (MIS) or Product Sequence Number (characters 10-17). These were previously referred to as the Serial Number.

Machines and generator sets produced before First Quarter 2001 will maintain their 8 character PIN format.

Components such as engines, transmissions, axles, etc. and work tools will continue to use an 8 character Serial Number (S/N).

## 2. ORDERING PARTS

### **WARNING**

**When replacement parts are required for this product Caterpillar recommends using Caterpillar replacement parts or parts with equivalent specifications including, but not limited to, physical dimensions, type, strength and material.**

**Failure to heed this warning can lead to premature failures, product damage, personal injury or death.**

Quality Caterpillar replacement parts are available from Caterpillar dealers throughout the world. Their parts inventories are up to date and include all parts normally required to protect your investment in Caterpillar machines. Dealers may offer repair kits or remanufactured parts to allow selection of the most effective repair alternative for a particular situation. When ordering parts, your order should specify the quantity, part number, part name, and the serial number/product identification number of the machine for which the parts are needed.

## 3. PARTS MANUAL ORGANIZATION

Product information in this manual is presented as "information elements" that represent all of the components for the specific model. Engine Arrangement and Seat Group are examples of information elements. The information elements are organized alphabetically by part name and secondarily by part number within each major section of the manual.

## 4. TABLE OF CONTENTS

A table of contents (TOC) is found at the beginning of the manual. The TOC lists each section of the manual with a complete list of all information elements organized as they appear in the manual. Page numbers are provided for quick reference to detailed parts identification illustrations and serviceable consist lists.

## 5. MAINTENANCE PARTS INDEX

The Maintenance Parts Index, located near the beginning of the manual, references most frequently used maintenance part numbers, providing description, quantity, usage and page number. This information is organized alphabetically by part description.

# GENERAL INFORMATION

## 6. INDEX

The index located near the front of the manual is an alphabetical listing of all information elements included in the manual. Page numbers are provided for quick reference to detailed parts identification illustrations and serviceable consist lists.

## 7. PART NUMBER INDEX

A numerical index listing all part numbers and the corresponding page number(s) appears at the back of the manual.

## 8. CAPTIONS

Captions located at the beginning of each information element identify the part number and part name along with additional descriptive information. PIN and S/N information found in each caption should be used to select correct information for a specific machine. Field replacement options, identification of optional attachment components, and where used ("part of") information is also provided.

The first line of a caption is shown in larger type font to indicate the beginning of an information element. Captions for additional pages that may be required to illustrate an information element will be shown in standard type font and will include the term (*contd.*)

## 9. NON-SERVICED PARTS

In some instances it is necessary to display non-serviced parts that are a link to a lower level serviceable consist lists. These non-serviced part numbers are shown in *italic* type indicating that they are not available.

## 10. PARTS LIST REFERENCE NUMBERS

Numbers shown in the Ref No column correspond to numbers used in the associated graphic(s). An alphabetic suffix may be added to a reference number to identify lower level consist items. Numbers shown in the Graphic Ref column refer to the graphic number identifier displayed in the lower left corner of each illustration. The Graphic Ref number may be used in combination with the item Ref No to determine the correct part number. There may be intentional omission of a Ref No in a consist list as information is updated to reflect the latest serviceable part numbers.

## 11. INDENTED PART NAMES

When a part name is indented in a parts list, it is part of (included in) the group or assembly under which it is indented.

## 12. ILLUSTRATION REFERENCE LETTERS

When necessary, illustrations contain reference letters (A, B, C etc.) that are intended to track lines and harnesses from one point to another. They are also used to show where to reconnect illustrations that have been separated.

## 13. ABBREVIATIONS AND SYMBOLS

O.D. – Outside Diameter  
I.D. – Inside Diameter  
A – Not Part Of This Group  
B – Use As Required  
C – Change From Previous Type  
D – Order By The Meter  
E – Order By The Centimeter  
F – Not Shown  
G – Order By The Inch  
I – See Hose Fabrication Guide  
M – Metric Part  
R – Remfg Part May Be Available  
Y – Separate Illustration  
Z – Not Serviced Separately

 **New Feature**

## 14.<END>

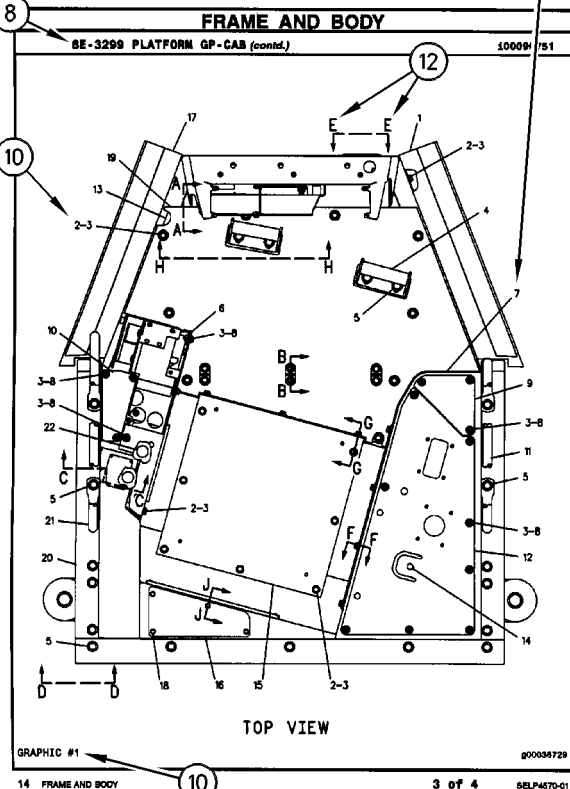
This symbol indicates the end of an information element.

### NOTE:

**Continuing improvement and advancement of product design may cause changes to your machine which may not be included in this publication. Whenever a question arises regarding your caterpillar product or this publication, please consult your caterpillar dealer for the latest available information.**

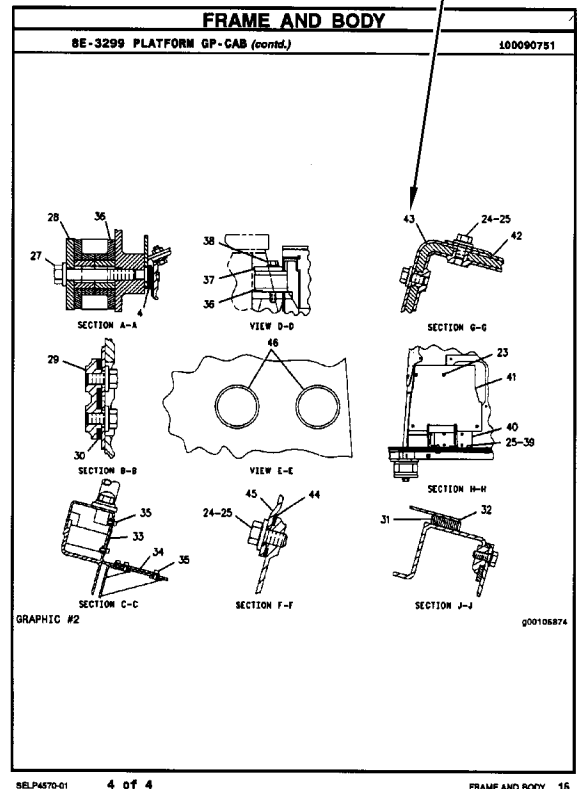
# GENERAL INFORMATION

8 FRAME AND BODY						
SE-3299 PLATFORM GP-CAB						
PIN 38X1-99999						
100090751						
NOTE	REF NO	GRAPHIC REF	PART NUMBER	QTY	PART NAME	SEE PAGE
	1		31-3983	1	PLATE AS	
	2		88-2082	25	BOLT (3/8-16X.750IN)	
	3		82-1078	41	WASHER-HARD (.98M THK)	
	4		92-1464	2	SUPPORT AS-FOOT	
	5		72-2229	18	BOLT (1/2-13X1IN)	
	6		82-1078	18	WASHER-HARD (.98M THK)	
	7		82-1078	8	WASHER-HARD (.98M THK)	
	8		82-1078	8	WASHER-HARD (.98M THK)	
	9		82-1078	8	WASHER-HARD (.98M THK)	
	10		82-1078	8	WASHER-HARD (.98M THK)	
	11		82-1078	8	WASHER-HARD (.98M THK)	
	12		82-1078	8	WASHER-HARD (.98M THK)	
	13		82-1078	8	WASHER-HARD (.98M THK)	
	14		82-1078	8	WASHER-HARD (.98M THK)	
	15		82-1078	8	WASHER-HARD (.98M THK)	
	16		82-1078	8	WASHER-HARD (.98M THK)	
	17		82-1078	8	WASHER-HARD (.98M THK)	
	18		82-1078	8	WASHER-HARD (.98M THK)	
	19		82-1078	8	WASHER-HARD (.98M THK)	
	20		82-1078	8	WASHER-HARD (.98M THK)	
	21		82-1078	8	WASHER-HARD (.98M THK)	
	22		82-1078	8	WASHER-HARD (.98M THK)	
	23		82-1078	8	WASHER-HARD (.98M THK)	
	24		82-1078	8	WASHER-HARD (.98M THK)	
	25		82-1078	8	WASHER-HARD (.98M THK)	
	26		82-1078	8	WASHER-HARD (.98M THK)	
	27		82-1078	8	WASHER-HARD (.98M THK)	
	28		82-1078	8	WASHER-HARD (.98M THK)	
	29		82-1078	8	WASHER-HARD (.98M THK)	
	30		82-1078	8	WASHER-HARD (.98M THK)	
	31		82-1078	8	WASHER-HARD (.98M THK)	
	32		82-1078	8	WASHER-HARD (.98M THK)	
	33		82-1078	8	WASHER-HARD (.98M THK)	
	34		82-1078	8	WASHER-HARD (.98M THK)	
	35		82-1078	8	WASHER-HARD (.98M THK)	
	36		82-1078	8	WASHER-HARD (.98M THK)	
	37		82-1078	8	WASHER-HARD (.98M THK)	
	38		82-1078	8	WASHER-HARD (.98M THK)	
	39		82-1078	8	WASHER-HARD (.98M THK)	
	40		82-1078	8	WASHER-HARD (.98M THK)	



8 FRAME AND BODY						
SE-3299 PLATFORM GP-CAB (contd.)						
100090751						
NOTE	REF NO	GRAPHIC REF	PART NUMBER	QTY	PART NAME	SEE PAGE
	41		82-2515	1	COVER	
	42		77-0134	1	PLATE	
	43		77-0139	1	GASKET	
	44		78-8724	1	GASKET	
	45		78-8723	1	COVER	
	46		87-1950	2	PLUG-BUTTON	

METRIC PART





# GÉNÉRALITÉS

## 1. IDENTIFICATION DE LA MACHINE

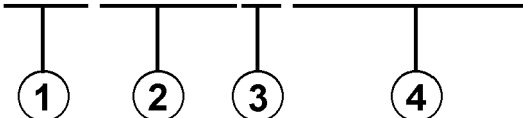
Toutes les machines Caterpillar portent un numéro d'identification (PIN). Certains composants des machines peuvent porter des numéros de série (S/N). En général, parmi les composants qui portent des numéros de série il y a les moteurs, les transmissions, les bulldozers et les rippers. En plus, la machine et le moteur peuvent recevoir des numéros de version, et dans certains cas, de modification. Ces numéros figurent sur les plaques de numéro de série et sur la plaque signalétique principale qui se trouve dans le poste de conduite.

Les concessionnaires Caterpillar doivent connaître tous ces numéros pour identifier correctement les pièces.

### Nouvelle Caractéristique

À partir du premier trimestre 2001, le numéro d'identification produit (PIN) Caterpillar passe de 8 à 17 caractères. Afin de permettre une identification uniforme des matériels, Caterpillar et d'autres constructeurs de machines de travaux publics s'efforcent de se conformer à la norme la plus récente portant sur les numéros d'identification des produits. Les numéros d'identification (PIN) de machines de chantier sont définis par la norme ISO 10261. Le nouveau format du numéro d'identification est valable pour toutes les machines et tous les groupes électrogènes Caterpillar. Le numéro d'identification produit (PIN) figurant sur la plaque et sur le châssis se composera de 17 caractères. Le nouveau format ressemblera à ceci:

\* C A T 0 7 8 9 B G 6 S L 1 2 3 4 5 \*



1      2      3      4

Il se décomposera de la façon suivante:

1. Code international de fabrication de Caterpillar (caractères 1 à 3)
2. Descriptif de la machine (caractères 4 à 8)
3. Contrôle (caractère 9)
4. Indicateur machine (MIS) ou numéro de séquence produit (caractères 10 à 17). Ceux-ci étaient auparavant désignés sous le terme de numéro de série.

Les machines et les groupes électrogènes construits avant le premier trimestre 2001 garderont le format à 8 caractères du numéro d'identification produit (PIN).

Les organes tels que les moteurs, les boîtes de vitesses, les essieux, etc., continueront d'être désignés par un numéro de série (S/N) à 8 caractères.

## 2. COMMANDE DE PIÈCES



**Lorsqu'il faut remplacer des pièces de rechange pour ce produit Caterpillar recommande d'utiliser les pièces de rechange Caterpillar ou les pièces qui ont des spécifications équivalentes dont les dimensions physiques, le type, la force et le matériau. Ces équivalences ne se limitent pas à l'énoncé précédent.**

**L'inobservation de cette mise en garde peut entraîner des défaillances prématurées, des dommages au produit, des blessures ou même la mort.**

Les concessionnaires Caterpillar fournissent dans le monde entier des pièces de rechange de qualité Caterpillar. Leurs stocks de pièces sont constamment réapprovisionnés et comptent toutes les pièces nécessaires pour assurer la bonne marche de vos machines Caterpillar. Certains concessionnaires proposent également des kits de réparation ou des pièces rénovées, ce qui permet de choisir la solution la plus économique dans une situation donnée. Lors des commandes de pièces, mentionner la quantité, le numéro et la désignation des pièces ainsi que le numéro de série ou le numéro d'identification (PIN) de la machine pour laquelle ces pièces sont requises.

## 3. ORGANISATION DU CATALOGUE DE PIÈCES

Les renseignements sur les produits sont présentés sous forme de "Information element" (élément d'information) représentant tous les composants d'un modèle donné. "Engine Arrangement" (version de moteur) et "Seat Group" (assemblage de siège) sont des exemples d'éléments d'information. Les éléments d'information sont classés par ordre alphabétique par la désignation standard des pièces et par numéros de pièces dans chaque partie importante du manuel.

## 4. TABLE DES MATIÈRES

### Nouvelle Caractéristique

La table des matières se trouve au début du manuel. La table des matières fournit la liste de tous les chapitres du manuel avec une liste complète de tous les éléments d'information classés par ordre d'apparition dans le manuel. Les numéros de page sont fournis afin que l'utilisateur puisse trouver rapidement les illustrations détaillées concernant l'identification des pièces et les listes des pièces d'entretien.

## 5. INDEX DES PIÈCES D'ENTRETIEN

La rubrique "Index des pièces d'entretien" qui se trouve au début du manuel renvoie aux pièces d'entretien les plus fréquemment utilisées en précisant la désignation, la quantité, là où la pièce est utilisée et le numéro de page. Ces pièces sont classés par ordre alphabétique.

## 6. INDEX

L'index qui se trouve vers le début du manuel est une liste alphabétique de tous les éléments d'information du manuel. Les numéros de page sont fournis afin que l'utilisateur puisse trouver rapidement les illustrations détaillées concernant l'identification des pièces et les listes des pièces d'entretien.

## 7. INDEX DES NUMÉROS DE PIÈCES

Une liste numérique de tous les numéros de pièces et des pages correspondantes se trouve à la fin du manuel.

## 8. LÉGENDES

Les légendes qui se trouvent en haut de chaque page de chaque élément d'information fournissent le numéro de pièce, la désignation ainsi que des renseignements supplémentaires sur les pièces. Les renseignements concernant les numéros de série (S/N) qui se trouvent dans chaque légende doivent être utilisés pour sélectionner les informations correctes pour un moteur donné. Les informations concernant les options de remplacement sur le chantier, l'identification des composants des équipements offerts en option et les lieux d'application sont aussi fournies.

### Nouvelle Caractéristique

Les lettres de la première ligne d'une légende sont présentées en police plus grande afin d'indiquer le début d'une unité d'information. Les légendes qui pourraient être requises pour des pages supplémentaires afin d'illustrer une unité d'information seront présentées en police standard et comprendront le terme (à suivre).

## 9. PIÈCES NON FOURNIES

### Nouvelle Caractéristique

Dans certains cas, il est nécessaire d'indiquer les pièces non fournies qui sont en aval de la liste des pièces d'entretien. Les numéros des pièces non fournies dans la liste des pièces et les légendes seront en italique pour signaler qu'ils ne sont pas disponibles.

## 10. NUMÉROS DE RÉFÉRENCE DE LA LISTE DES PIÈCES

### Nouvelle Caractéristique

Les numéros indiqués dans la colonne des numéros de références correspondent aux numéros utilisés dans les illustrations auxquelles ils sont associés. Un suffixe alphabétique peut être ajouté à un numéro de référence pour identifier la liste des articles en aval. Les numéros indiqués dans la colonne de référence de l'illustration renvoient à l'identification du numéro affiché dans le coin inférieur gauche de chaque illustration. Le numéro de référence de l'illustration pourrait être utilisé avec le numéro de référence de l'article pour déterminer le numéro de pièce correct. Il peut y avoir une omission intentionnelle d'un numéro de référence dans une liste de pièces suite à la mise à jour des informations en vue de refléter les numéros de pièces les plus récentes.

## 11. DÉSIGNATIONS DE PIÈCES EN RETRAIT

Lorsqu'une désignation de pièce est en retrait, cela veut dire que l'article en regard fait partie de l'ensemble sous lequel il figure.

## 12. LETTRES DE RÉFÉRENCE DES ILLUSTRATIONS

Quand cela est nécessaire, les illustrations comportent des lettres de référence (A, B, C, etc.) pour montrer le trajet des canalisations et faisceaux de câbles d'un point à l'autre. Elles sont utilisées également pour indiquer où relier les illustrations séparées auparavant.

# GÉNÉRALITÉS

## 13. ABRÉVIATIONS ET SYMBOLES

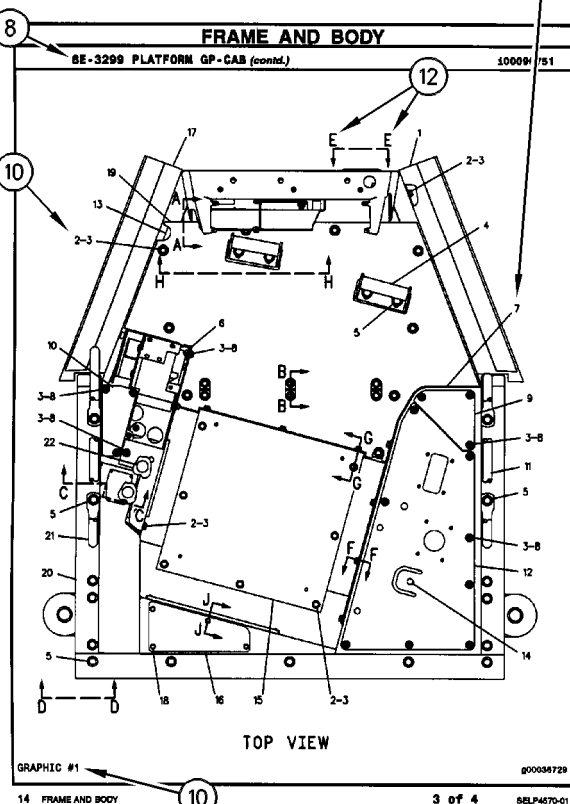
- O.D. – Diamètre extérieur
- I.D. – Diamètre intérieur
- A – Ne fait pas partie de ce groupe
- B – Utiliser selon besoin
- C – Modification
- D – Commander par mètre
- E – Commander par centimètre
- F – Non représenté
- G – Commander par pouce
- I – Voir "Hose Fabrication Guide"
- M – Pièce métrique
- R – Pièce rénovée éventuellement disponible
- Y – Illustration séparée
- Z – Non fourni séparément

### NOTA:

En raison du progrès technique et des améliorations continues apportées au matériel, votre machine comporte peut-être des modifications qui n'apparaissent pas dans la présente publication. En cas de doute sur un détail de votre machine Caterpillar ou sur le texte de la présente publication, adressez-vous à votre concessionnaire Caterpillar.

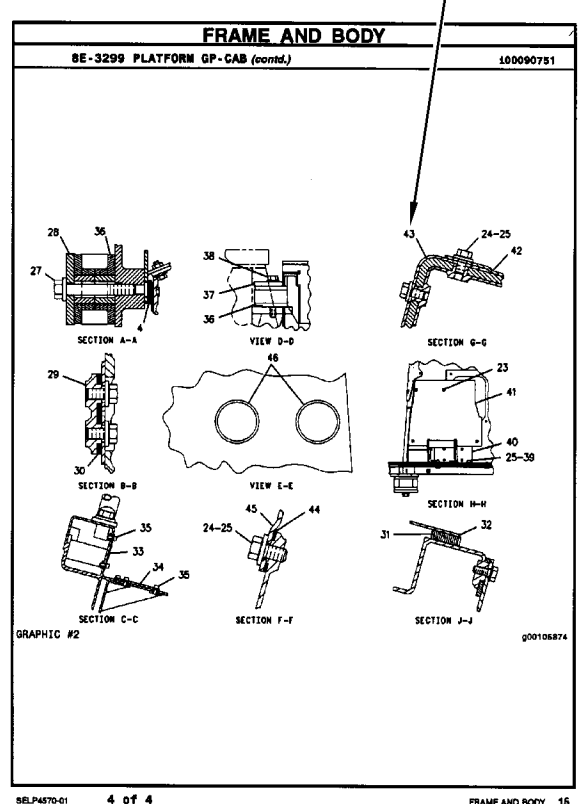
# GÉNÉRALITÉS

8 FRAME AND BODY						
BE-3299 PLATFORM GP-CAB						
PIN 38X1-99999						
8MCS-7283						100090751
NOTE	REF NO	GRAPHIC REF	PART NUMBER	QTY	PART NAME	SEE PAGE
	1		31-3983	1	PLATE AS	
	2		88-2082	25	BOLT (3/8-16X.750IN)	
	3		82-1078	41	WASHER-HARD (3MM THK)	
	4		92-1464	2	SUPPORT AS-FOOT	
	5		72-0229	18	BOLT (1/2-13X1IN)	
	6		82-1078	18	WASHER-HARD (4MM THK)	
	7		82-0136	1	COVER AS-LH	
	8		82-0137	1	MUT-WELD (3/8-16 THD)	
	9		1F-8189	1	CLIP	
	10		78-2411	4	COVER	
	11		64-0489	18	SCREW-HEAD (3/8-16X.878IN)	
	12		82-0137	1	COVER	
	13		82-0136	1	GASKET	
	14		82-2249	1	GASKET	
	15		82-2250	1	GASKET	
	16		82-2251	1	HANDRAIL	
	17		82-0136	1	COVER AS	
	18		82-0137	1	MUT-WELD (3/8-16 THD)	
	19		82-0136	1	FLOORPLATE AS	
	20		1F-0748	4	MUT-WELD (1/2-13 THD)	
	21		77-8087	1	PLUG-BUTTON	
	22		77-0136	1	PLATE AS	
	23		82-0136	1	MUT-WELD (3/8-16 THD)	
	24		77-8088	1	COVER	
	25		82-0136	1	GASKET	
	26		82-0136	1	PLATE AS	
	27		82-0136	4	BOLT (1/4-20X.625IN)	
	28		82-0136	4	WASHER-HARD (2MM THK)	
	29		82-0136	1	FLOOR MAT	
	30		82-0136	1	MODULE AS-OPERATOR	
	31		82-0136	1	HANDRAIL	
	32		82-0136	2	PLUG	
	33		82-0136	4	BOLT (1/4-20X.625IN)	
	34		82-0136	4	WASHER-HARD (2MM THK)	
	35		82-0136	17	BOLT (3/8-16X.750IN)	
	36		82-0136	21	WASHER-HARD (3MM THK)	
	37		77-0136	1	SEAL	
	38		72-0278	2	BOLT (3/4-10X5IN)	
	39		72-0482	2	WASHER-HARD (8MM THK)	
	40		72-0482	2	PLATE	
	41		31-8280	1	PLATE AS	
	42		78-8928	8	SPACER	
	43		31-8281	1	SEAL	
	44		78-8917	1	GASKET	
	45		78-8916	1	COVER AS	
	46		28-8278	2	WASHER	
	47		82-0136	2	SCREW-KNURLED	
	48		82-0136	1	COVER	
	49		82-0136	1	COVER	
	50		82-0136	5	SCREW-ROCKET HEAD	
	51		82-0136	8	SCREW-ROCKET HEAD	
	52		82-0136	2	PLATE	
	53		72-0390	2	BOLT (7/8-9X2IN)	
	54		72-0372	2	WASHER-HARD	
	55		44-8454	4	BOLT (3/8-16X1.0IN)	
	56		31-8278	1	COVER	



FRAME AND BODY						
BE-3299 PLATFORM GP-CAB (contd.)						
						100090751
NOTE	REF NO	GRAPHIC REF	PART NUMBER	QTY	PART NAME	SEE PAGE
	41		82-2515	1	COVER	
	42		77-0134	1	PLATE	
	43		77-0138	1	GASKET	
	44		78-8724	1	GASKET	
	45		78-8723	1	COVER	
	46		82-0136	2	PLUG-BUTTON	

METRIC PART



# INFORMACIÓN GENERAL

## 1. MÁQUINAS

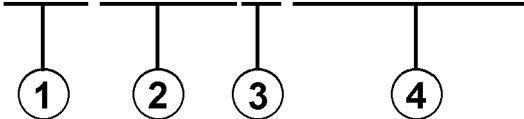
Las máquinas Caterpillar se identifican con Números de Identificación del Producto (PIN). Algunos componentes incluidos en la máquina pueden estar identificados con Números de Serie (N/S). Los componentes que tienen típicamente esta identificación incluyen motores, transmisiones, hojas topadoras y desgarradores. La máquina y el motor se identifican además con Números de Configuración y en algunos casos, Números de Modificación. Estos números están en las placas de identificación del producto o en la placa principal en la cabina del operador.

Los distribuidores Caterpillar necesitan estos números para identificar con exactitud los números de piezas de repuesto.

### Nueva Característica

A partir del primer trimestre del 2001, el Número de Identificación de Producto (PIN) de Caterpillar cambió de 8 a 17 caracteres. Para hacer más uniforme el método de identificación de equipos, Caterpillar y otros fabricantes de equipo de construcción han tomado medidas para cumplir con la versión más reciente de la norma de numeración de identificación de productos. Los Números de Identificación de Producto para máquinas que no se operan en carreteras son definidos por la norma ISO 10261. El nuevo formato PIN corresponderá a todas las máquinas y grupos electrógenos Caterpillar. Las placas y los caracteres PIN estampados en el bastidor mostrarán el PIN de 17 caracteres. El nuevo formato tendrá la apariencia siguiente:

\*CAT 0789BG 6SL12345\*



Significado de los caracteres:

1. Código de Fabricación Mundial de Caterpillar (caracteres 1-3)
2. Sección Descriptor de la Máquina (caracteres 4-8)
3. Carácter de Verificación (carácter 9)

4. Sección Indicador de la Máquina (MIS) o Número de Secuencia de Producto (caracteres 10-17). Anteriormente, estos caracteres constituían el Número de Serie.

Las máquinas y grupos electrógenos producidos antes del primer semestre del 2001 mantendrán su formato PIN de 8 caracteres.

Los componentes como motores, transmisiones, ejes, herramientas de trabajo, etc., continuarán usando un Número de Serie (S/N) de 8 caracteres.

## 2. COMO PEDIR REPUESTOS

### ADVERTENCIA

**Cuando se necesiten piezas de repuesto para este producto, Caterpillar recomienda usar piezas de repuesto Caterpillar o piezas que tengan especificaciones equivalentes incluyendo, pero sin estar limitadas a, dimensiones físicas, tipo, fortaleza y material.**

**El no hacer caso de esta advertencia puede llevar a fallas prematuras, daños al producto y lesiones graves o mortales.**

Las piezas de repuesto Caterpillar de calidad están a la disposición de los distribuidores Caterpillar en todo el mundo. Sus existencias actualizadas incluyen todas las piezas normalmente requeridas para proteger su inversión en máquinas Caterpillar. Los distribuidores pueden tener juegos de reparación o piezas remanufacturadas para permitir la selección de la mejor alternativa de reparación en un caso en particular. Al pedir piezas de repuesto, especifique en su pedido la cantidad, el número de pieza, el nombre de la pieza y el número de serie/número de identificación del producto, de la máquina para la cual se necesitan estas piezas.

## 3. ORGANIZACION DEL MANUAL DE PIEZAS

La información sobre el producto, se presenta en este manual, como "elementos de información" que representan todos los componentes de un modelo específico. Las configuraciones de motores y los grupos de asientos son ejemplos de elementos de información. Los elementos de información están organizados primeramente por nombres de piezas en orden alfabético y en segundo lugar, por el número de pieza dentro de cada sección principal del manual.

# INFORMACIÓN GENERAL

## 4. CONTENIDO

La página de Contenido se encuentra al principio del manual. El Contenido indica cada sección del manual con una lista completa de todos los elementos de información organizados en el orden que aparecen en el manual. Los números de página proporcionan una referencia rápida a las ilustraciones detalladas de identificación de piezas y a las listas de componentes de repuesto de dichas piezas.

## 5. ÍNDICE DE PIEZAS DE MANTENIMIENTO

Al principio de este catálogo se encuentra un índice de los números de piezas utilizadas más frecuentemente para el mantenimiento, que incluye descripción, cantidad necesaria, lugar de utilización y número de página. Esta información está organizada alfabéticamente, por descripción de la pieza.

## 6. ÍNDICE

El Índice, ubicado cerca del principio del manual, es una lista en orden alfabético de todos los elementos de información incluidos en el manual. Los números de página proporcionan una referencia rápida a las ilustraciones detalladas de identificación de piezas y a las listas de componentes de repuesto de dichas piezas.

## 7. ÍNDICE NUMÉRICO DE PIEZAS

Un índice numérico de piezas con el correspondiente número de página aparece al final de este catálogo.

## 8. TÍTULOS

Los títulos ubicados al principio de cada elemento de información identifican el número y el nombre de la pieza junto con información descriptiva. Se debe usar información sobre los Números de Identificación de Pieza (PIN) y los números de serie (S/N) para seleccionar la información que corresponda a una máquina en particular. También se suministra información sobre las opciones de reparación en el campo, la identificación de componentes de accesorios optativos y el lugar de ubicación de la pieza ("es parte de").

La primera línea del título se muestra con un tipo de letra más grande para indicar el comienzo de un elemento de información. Si se requieren páginas adicionales para ilustrar un elemento de información, los títulos se muestran con un tipo de letra normal y la continuación se indica entre paréntesis.

## 9. PIEZAS QUE NO SE SUMINISTRAN COMO REPUESTO

En algunos casos es necesario indicar piezas que no se suministran como repuesto pero que pueden estar conectadas a listas de componentes de otras piezas de repuesto. En tal caso, dichas piezas se muestran en cursiva para indicar que no son piezas disponibles.

## 10. NÚMEROS DE REFERENCIA

Los números en la columna de No. de Referencia corresponden a los números indicados en la ilustración que pertenece a ese número de pieza. Los números que tienen un sufijo alfabético identifican artículos de las listas de componentes de piezas. Los números en la columna de Referencia de la ilustración se identifican en la esquina inferior izquierda de cada ilustración. Para determinar el número de pieza correcto se puede utilizar tanto el No. de Referencia de la ilustración como el No. de Referencia del artículo. A medida que se actualiza la información para indicar los más recientes números de piezas de repuesto, puede omitirse intencionalmente un No. de Referencia en una lista de componentes de piezas.

## 11. NOMBRES DE PIEZA SANGRADOS

Cuando el nombre de una pieza está sangrado en una lista, significa que esta pieza forma parte del grupo o conjunto del renglón inmediatamente superior.

## 12. LETRAS DE REFERENCIA DE ILUSTRACIONES

Las ilustraciones contienen algunas veces letras de referencia (A, B, C etc.) cuyo propósito es seguir el trayecto de líneas y mazos de cables de un punto a otro. También se utilizan para mostrar dónde volver a unir ilustraciones que se habían separado.

# INFORMACIÓN GENERAL

## 13. ABREVIATURAS Y SIMBOLOS

O.D. – Diámetro exterior

I.D. – Diámetro interior

A – No es pieza de este grupo

B – Utilizado según la demanda

C – Indica cambio

D – Se pide por metro

E – Se pide por centímetro

F – No se muestra

G – Se pide por pulgada

I – Ver "Hose Fabrication Guide"

M – Pieza métrica

R – Puede estar disponible como pieza remanufacturada

Y – Ilustración separada

Z – No se suministra por separado



***Nueva Característica***

## 14.<END>

Este símbolo indica el final de un elemento de información.

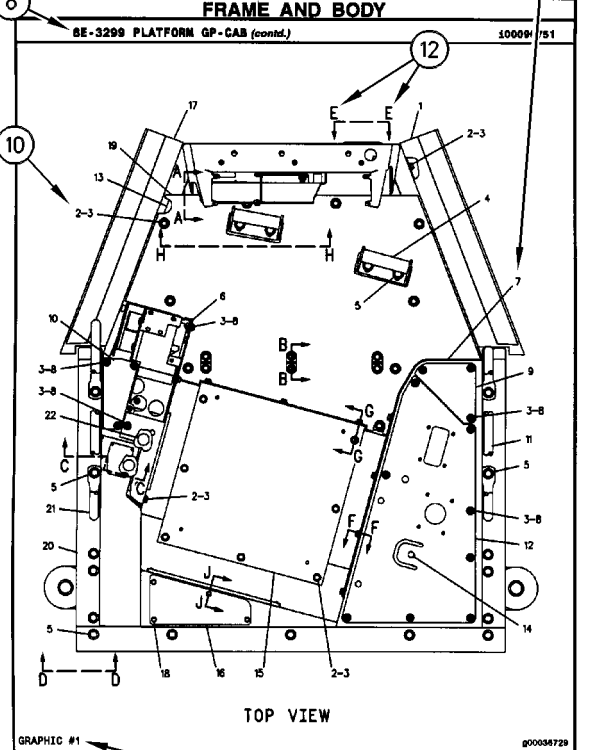
### NOTA:

**Las continuas mejoras y adelantos en diseño podrían originar cambios a su máquina que no se incluyen en esta publicación. Cuando tenga alguna pregunta acerca de su producto Caterpillar o de esta publicación, consulte al distribuidor Caterpillar para obtener la información más reciente.**

# INFORMACIÓN GENERAL

8 FRAME AND BODY						
8E-3299 PLATFORM GP-CAB						
PIN 38X1-99999						
100090751						
NOTE	REF NO	GRAPHIC REF	PART NUMBER	QTY	PART NAME	SEE PAGE
	1		31-3983	1	PLATE AS	
	2		8E-3082	25	BOLT (3/8-16X.750IN)	
	3		8E-1078	41	WASHER-HARD (3MM THK)	
	4		8E-1464	2	SUPPORT AS-FOOT	
	5		8E-3229	18	BOLT (1/2-13X1IN)	
	6		8E-3278	18	WASHER-HARD (4MM THK)	
	7		8E-8136	4	COVER AS-LH	
	8		8E-8178	8	NUT-WELD (3/8-16 THD)	
	9		1E-8189	1	CLIP	
	10		7E-2411	4	COVER	
	11		8E-0489	18	SCREW-HEAD (3/8-16X.878IN)	
	12		8E-0774	1	COVER	
	13		8E-8912	1	GASKET	
	14		8E-3249	1	COVER	
	15		8E-2950	1	GASKET	
	16		8E-5495	1	HANDRAIL	
	17		8E-8978	1	COVER AS	
	18		8E-8978	8	NUT-WELD (3/8-16 THD)	
	19		8E-8917	1	COVER AS	
	20		7E-0181	1	FLOORPLATE AS	
	21		1E-0748	4	NUT-WELD (1/2-13 THD)	
	22		7E-8087	1	PLUG-BUTTON	
	23		7E-0136	1	PLATE AS	
	24		8E-8978	5	NUT-WELD (3/8-16 THD)	
	25		7E-8086	1	COVER	
	26		7E-0779	1	GASKET	
	27		8E-3081	1	PLATE AS	
	28		8E-8484	4	BOLT (1/4-20X.825IN)	
	29		8E-8485	4	WASHER-HARD (2MM THK)	
	30		8E-8486	1	FLOOR MAT	
	31		8E-8486	1	MODULE AS-OPERATOR	
	32		8E-3834	1	HANDRAIL	
	33		8E-8871	2	PLUG	
	34		8E-5584	4	BOLT (1/4-20X.825IN)	
	35		8E-4288	4	WASHER-HARD (2MM THK)	
	36		8E-3082	17	BOLT (3/8-16X.750IN)	
	37		8E-1078	21	WASHER-HARD (3MM THK)	
	38		7E-0136	1	SEAL	
	39		7E-0378	2	BOLT (3/4-10X5IN)	
	40		7E-0482	2	WASHER-HARD (8MM THK)	
	41		7E-5482	2	PLATE	
	42		3E-8580	1	PLATE AS	
	43		7E-8928	8	SPACER	
	44		3E-8281	1	SEAL	
	45		7E-8917	1	GASKET	
	46		7E-8916	1	COVER AS	
	47		2E-8278	2	WASHER	
	48		8E-8928	2	SCREW-KNURLED	
	49		8E-3429	1	COVER	
	50		8E-8987	1	COVER	
	51		8E-3081	5	SCREW-ROCKET HEAD	
	52		8E-3148	8	SCREW-TAPPING	
	53		8E-8982	2	PLATE	
	54		7E-0380	2	BOLT (7/8-9X8IN)	
	55		7E-0872	2	WASHER-HARD	
	56		4E-8484	4	BOLT (3/8-16X1.0IN)	
	57		3E-8288	1	COVER	

12 FRAME AND BODY 1 of 4 SELP 170-01

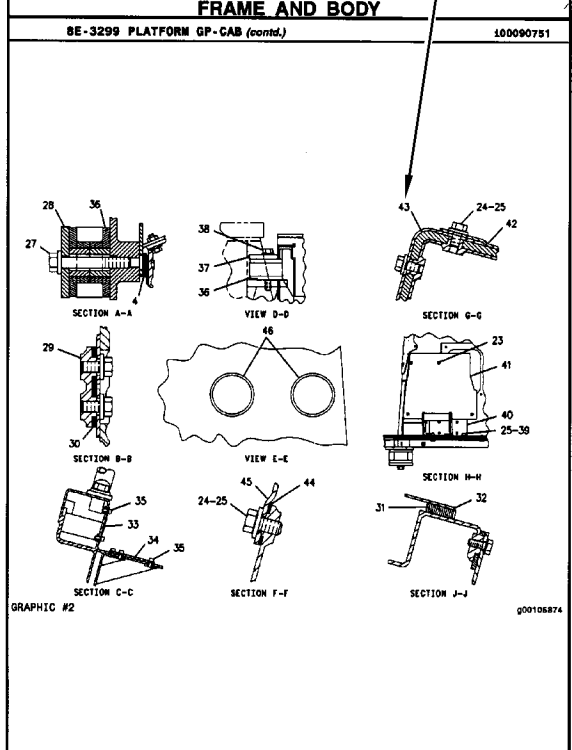


14 FRAME AND BODY 3 of 4 SELP4570-01

8E-3299 PLATFORM GP-CAB (contd.)						
100090751						
NOTE	REF NO	GRAPHIC REF	PART NUMBER	QTY	PART NAME	SEE PAGE
	41		8E-2818	1	COVER	
	42		7E-0134	1	PLATE	
	43		7E-8138	1	GASKET	
	44		7E-8724	1	GASKET	
	45		7E-8723	1	COVER	
	46		8E-1950	2	PLUG-BUTTON	

METRIC PART

SELP4570-01 2 of 4 FRAME AND BODY 13



SELP4570-01 4 of 4 FRAME AND BODY 15



**Thanks for your reading.**

**Please click here to download complete manual instantly.**

**And can also choose other manuals.**

**Feel free --->write to me with any questions.**

**Our service email:**

**manuals007@hotmail.com**