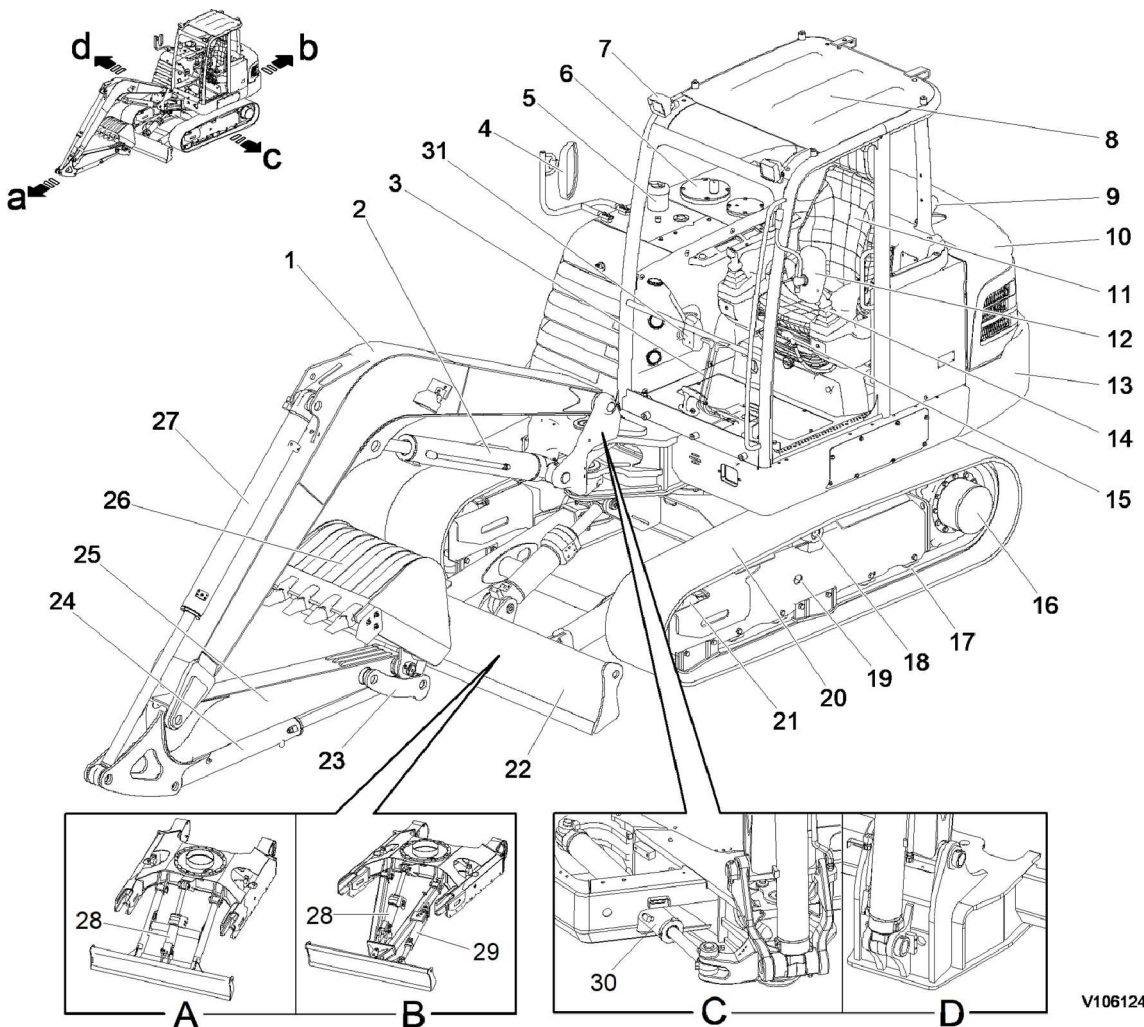


Document Title: <b>Machine view</b>	Function Group: <b>000</b>	Information Type: <b>Service Information</b>	Date: <b>2017/7/7 0</b>
Profile: <b>EC55C Volvo</b>			

**Machine view**

Showing Selected Profile

Valid for serial numbers			
Model	Production site	Serial number start	Serial number stop
EC55C Volvo			



**Figure 1**  
**Position of components**

- A Fixed type (dozer blade)
- B Angle type (dozer blade)
- C Boom slewing type
- D Boom fixed type
- a Front
- b Rear
- c Left
- d Right

- 1 Boom
- 2 Boom cylinder
- 3 Travel lever (pedal)
- 4 Rear mirror (right)
- 5 Fuel tank
- 6 Hydraulic tank
- 7 Working lights
- 8 Cab
- 9 Muffler
- 10 Bonnet
- 11 Operator's seat
- 12 Rear mirror (left)
- 13 Counterweight
- 14 Control lever
- 15 Control lock-out lever (safety locking lever)
- 16 Track motor and gearbox
- 17 Bottom roller
- 18 Top roller
- 19 Track tension adjustment position
- 20 Tracks
- 21 Idler
- 22 Dozer blade
- 23 Link
- 24 Bucket cylinder
- 25 Dipper arm
- 26 Bucket
- 27 Dipper arm cylinder
- 28 Dozer blade cylinder
- 29 Angle cylinder (dozer blade)
- 30 Slewing cylinder (boom)
- 31 Instrument panel

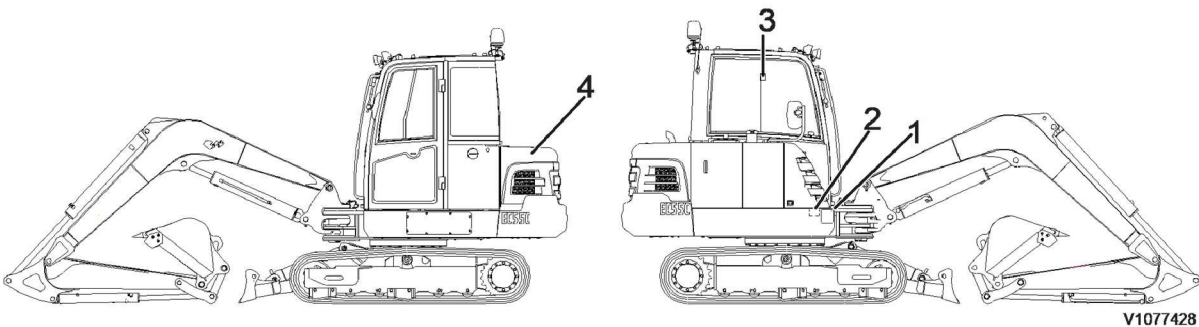
Document Title: <b>Product plates</b>	Function Group: <b>000</b>	Information Type: <b>Service Information</b>	Date: <b>2017/7/7 0</b>
Profile: <b>EC55C Volvo</b>			

## Product plates

Showing Selected Profile

Valid for serial numbers			
Model	Production site	Serial number start	Serial number stop
EC55C Volvo			

The following illustrations and descriptions show the product plates on the machine. When ordering spare parts or for short enquiries by phone and in correspondence you should always specify model designations and product identification number.



**Figure 1**

### Product Identification plate (PIN)

The product plate contains name and address of manufacturer, model/type designation and 17 digit PIN number.

### Supplementary PIN plate (EU countries only)

V	C	E	E	C	3	5	C	C	0	0	0	1	2	3	4	5
A			B			C			D							

V1076896

**Figure 2**

Example of 17 digit PIN number on PIN plate

- A. World Manufacturing Code
- B. Machine description
- C. Check letters
- D. Serial number

The supplementary plate contains information about machine mass in kg, engine net power in Kw, manufacturing year, machine serial number and a CE-mark.

### Machine mass

The machine mass in kg on the supplementary PIN plate is based on:

- cab or canopy

- most used track type
- most usual bucket (without load)
- full fuel tank

For safety reasons, 103 % of the machine mass will be shown on the supplementary PIN plate.

**Cab identification plate**

The plate contains information about product number, machine model, cab serial number, ROPS/TOPS certificate number, max. machine mass and international standard.

**Engine identification plate**

The engine identification plate contains information about manufacturer, designation and engine serial number.

Document Title: <b>Measurement conversion tables</b>	Function Group: <b>030</b>	Information Type: <b>Service Information</b>	Date: <b>2017/7/7 0</b>
Profile: <b>EC55C Volvo</b>			

## Measurement conversion tables

Showing Selected Profile

Valid for serial numbers			
Model	Production site	Serial number start	Serial number stop
EC55C Volvo			

### Length

Unit	cm	m	km	in	ft	yd	mile
cm	1	0.01	0.00001	0.3937	0.03281	0.01094	0.000006
m	100	1	0.001	39.37	3.2808	1.0936	0.00062
km	100000	1000	1	39370.7	3280.8	1093.6	0.62137
in	2.54	0.0254	0.000025	1	0.08333	0.02777	0.000015
ft	30.48	0.3048	0.000304	12	1	0.3333	0.000189
yd	91.44	0.9144	0.000914	36	3	1	0.000568
mile	160930	1609.3	1.6093	63360	5280	1760	1

1 mm = 0.1 cm, 1 mm = 0.001 m

### Area

Unit	cm <sup>2</sup>	m <sup>2</sup>	km <sup>2</sup>	a	ft <sup>2</sup>	yd <sup>2</sup>	in <sup>2</sup>
cm <sup>2</sup>	1	0.0001	-	0.000001	0.001076	0.000012	0.155000
m <sup>2</sup>	10000	1	0.000001	0.01	10.764	1.1958	1550.000
km <sup>2</sup>	-	1000000	1	10000	1076400	1195800	-
a	0.01	100	0.0001	1	1076.4	119.58	-
ft <sup>2</sup>	-	0.092903	-	0.000929	1	0.1111	144.000
yd <sup>2</sup>	-	0.83613	-	0.008361	9	1	1296.00
in <sup>2</sup>	6.4516	0.000645	-	-	0.006943	0.000771	1

1 ha = 100 a, 1 mile<sup>2</sup> = 259 ha = 2.59 km<sup>2</sup>

### Volume

Unit	cm <sup>3</sup> = cc	m <sup>3</sup>	Liter	in <sup>3</sup>	ft <sup>3</sup>	yd <sup>3</sup>
cm <sup>3</sup> = m liter	1	0.000001	0.001	0.061024	0.000035	0.000001
m <sup>3</sup>	1000000	1	1000	61024	35.315	1.30796
Liter	1000	0.001	1	61.024	0.035315	0.001308
in <sup>3</sup>	16.387	0.000016	0.01638	1	0.000578	0.000021
ft <sup>3</sup>	28316.8	0.028317	28.317	1728	1	0.03704
yd <sup>3</sup>	764529.8	0.76453	764.53	46656	27	1

1 gal(US) = 3785.41 cm<sup>3</sup> = 231 in<sup>3</sup> = 0.83267 gal(US)

## Weight

Unit	g	kg	t	oz	lb
g	1	0.001	0.000001	0.03527	0.0022
kg	1000	1	0.001	35.273	2.20459
t	1000000	1000	1	35273	2204.59
oz	28.3495	0.02835	0.000028	1	0.0625
lb	453.592	0.45359	0.000454	16	1

1 tonne(metric) = 1.1023 ton(US) = 0.9842 ton(UK)

## Pressure

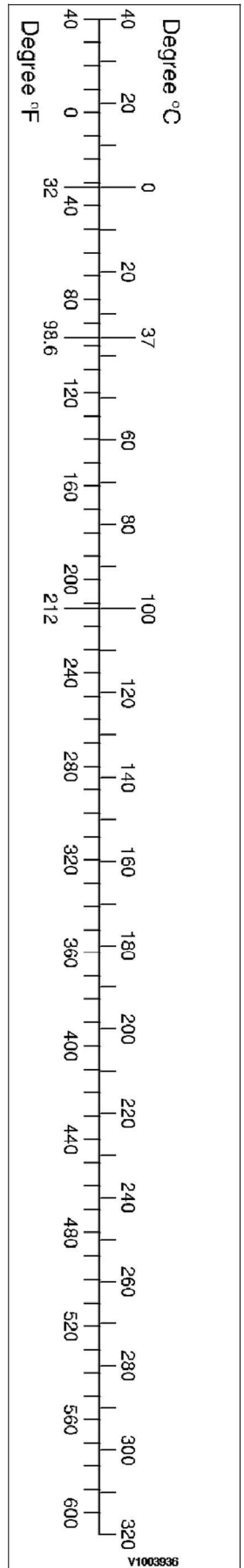
Unit	kgf/cm <sup>2</sup>	bar	Pa=N/m <sup>2</sup>	kPa	lbf/in <sup>2</sup>	lbf/ft <sup>2</sup>
kgf/cm <sup>2</sup>	1	0.98067	98066.5	98.0665	14.2233	2048.16
bar	1.01972	1	100000	100	14.5037	2088.6
Pa=N/m <sup>2</sup>	0.00001	0.001	1	0.001	0.00015	0.02086
kPa	0.01020	0.01	1000	1	0.14504	20.886
lbf/in <sup>2</sup>	0.07032	0.0689	6894.76	6.89476	1	144
lbf/ft <sup>2</sup>	0.00047	0.00047	47.88028	0.04788	0.00694	1

1 kgf/cm<sup>2</sup> = 735.56 Torr(mmHg) = 0.96784 atm

## Approximate conversions

SI	Conversion	Non-SI	Conversion	SI
Unit	Factor	Unit	Factor	Unit
<b>Torque</b>				
newton meter (N·m)	x 10.2	= kgf·cm	x 0.8664	= (lbf·in)
newton meter (N·m)	x 0.74	= lb·ft	x 1.36	= N·m
newton meter (N·m)	x 0.102	= kgf·m	x 7.22	= (lbf·ft)
<b>Pressure (Pa = N/m<sup>2</sup>)</b>				
kilopascal (kPa)	x 4.0	= in. H <sub>2</sub> O	x 0.249	= kPa
kilopascal (kPa)	x 0.30	= in. Hg	x 3.38	= kPa
kilopascal (kPa)	x 0.145	= psi	x 6.89	= kPa
(bar)	x 14.5	= psi	x 0.069	= (bar)
(kgf/cm <sup>2</sup> )	x 14.22	= psi	x 0.070	= (kgf/cm <sup>2</sup> )
(newton/mm <sup>2</sup> )	x 145.04	= psi	x 0.069	= (bar)
megapascal (MPa)	x 145	= psi	x 0.00689	= MPa
<b>Power (W = J/s)</b>				
kilowatt (kW)	x 1.36	= PS (cv)	x 0.736	= kW
kilowatt (kW)	x 1.34	= HP	x 0.746	= kW
kilowatt (kW)	x 0.948	= Btu/s	x 1.055	= kW
watt (W)	x 0.74	= ft·lb/s	x 1.36	= W

Note: ( ) non-si unit

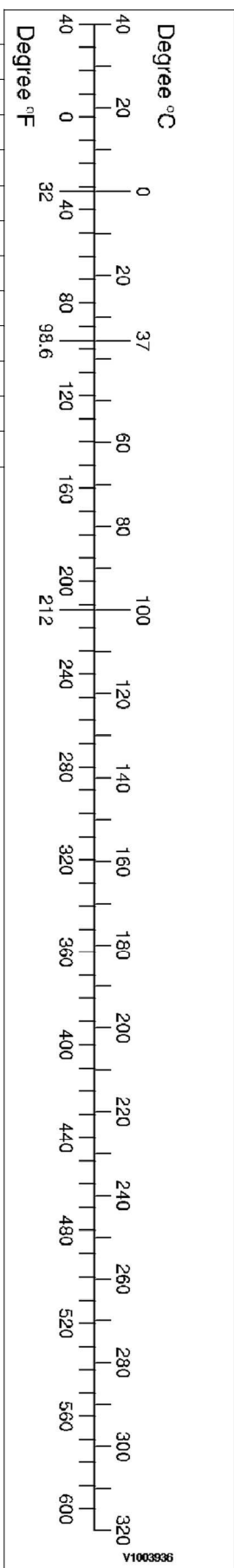


**Approximate conversions**

SI	Conversion	Non-SI	Conversion	SI
Unit	Factor	Unit	Factor	Unit

Energy (J = N·m)				
kilojoule (kJ)	x 0.948	= Btu	x 1.055	= kJ
joule (J)	x 0.239	= calorie	x 4.19	= J
Velocity and Acceleration				
meter per sec <sup>2</sup> (m/s <sup>2</sup> )	x 3.28	= ft/s <sup>2</sup>	x 0.305	= m/s <sup>2</sup>
meter per sec (m/s)	x 3.28	= ft/s	x 0.305	= m/s
kilometer per hour (km/h)	x 0.62	= mph	x 1.61	= km/h
Horse power/torque				
BHP x 5252 rpm = TQ (lb-ft)			TQ x rpm 5252 = B.H.P.	
Temperature				
°C = (°F - 32) /1.8		°F = (°C x 1.8) + 32		
Flow Rate				
liter/min (dm <sup>3</sup> /min)	x 0.264	= US gal/min x 3.785		= liter/min

Note: ( ) non-si unit





Document Title: <b>Standard tightening torques</b>	Function Group: <b>030</b>	Information Type: <b>Service Information</b>	Date: <b>2017/7/7 0</b>
Profile: <b>EC55C Volvo</b>			



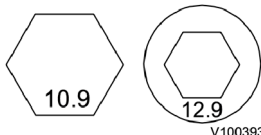
## Standard tightening torques

Showing Selected Profile

Valid for serial numbers			
Model	Production site	Serial number start	Serial number stop
EC55C Volvo			

The following charts give the standard tightening torques of screws and nuts. Exceptions are given in each sections of "disassembly and assembly".

### Tightening torque (meter)

Classification		4.8T			8.8T			10.9T, 12.9T		
Screw type										
Screw size		Tightening torque			Tightening torque			Tightening torque		
mm	inch	N m	kgf m	lbf ft	N m	kgf m	lbf ft	N m	kgf m	lbf ft
M 4	0.15	1.96 ±0.19	0.2 ±0.02	1.4 ±0.1	-	-	-	3.92 ±0.39	0.4 ±0.04	2.9 ±0.3
M 5	0.19	2.94 ±0.29	0.3 ±0.03	2.2 ±0.2	5.88 ±0.59	0.6 ±0.06	4.3 ±0.4	7.84 ±0.78	0.8 ±0.08	5.8 ±0.6
M 6	0.23	4.90 ±0.49	0.5 ±0.05	3.6 ±0.4	9.8 ±0.98	1.0 ±0.10	7.2 ±0.7	13.72 ±1.37	1.4 ±0.14	10.1 ±1
M 8	0.31	11.76 ±1.17	1.2 ±0.12	8.7 ±0.9	23.541 ±2.35	2.4 ±0.24	17.3 ±1.7	32.36 ±2.94	3.3 ±0.3	23.8 ±2.2
M 10	0.39	22.55 ±2.25	2.3 ±0.23	16.6 ±1.7	48.05 ±4.9	4.9 ±0.5	35.4 ±3.6	63.74 ±6.86	6.5 ±0.7	46.9 ±5.1
M 12	0.46	39.22 ±3.92	4.0 ±0.4	29 ±3	85.32 ±8.83	8.7 ±0.9	62.8 ±6.5	110.81 ±10.78	11.3 ±1.1	81.6 ±7.9
M 14	0.55	62.7 ±5.88	6.4 ±0.6	46 ±4	140.24 ±13.73	14.3 ±1.4	103.2 ±10.1	175.53 ±17.65	17.9 ±1.8	129.2 ±13
M 16	0.62	93.16 ±8.82	9.5 ±0.9	69 ±6	219.67 ±21.57	22.4 ±2.2	161.7 ±15.9	261.83 ±26.47	26.7 ±2.7	192.8 ±19.5
M 18	0.71	132.3 ±13.72	13.5 ±1.4	97 ±10	290.28 ±29.42	29.6 ±3.0	213.7 ±21.7	372.65 ±37.26	38.0 ±3.8	274.4 ±27.4
M 20	0.78	182.40 ±18.63	18.6 ±1.9	134 ±14	430.51 ±43.14	43.9 ±4.4	317.0 ±31.8	511.90 ±50.99	52.2 ±5.2	376.9 ±37.5
M 22	0.87	242.22 ±24.51	24.7 ±2.5	178 ±18	579.57 ±57.85	59.1 ±5.9	426.7 ±42.6	680.58 ±67.66	69.4 ±6.9	501.1 ±49.8
M 24	0.94	314.79 ±31.38	32.1 ±3.2	232 ±23	740.40 ±73.54	75.5 ±7.5	545.1 ±54.2	884.56 ±88.25	90.2 ±9.0	651.2 ±65
M 30	1.17	613.80	62.6 ±6.3	452 ±45	-	-	-	1726.95	176.1	1271.4

		±61.78						±172.59	±17.6	±127.1
M 36	1.40	1061.08 ±105.91	108.2 ±10.8	781 ±78	-	-	-	2984.16 ±298.12	304.3 ±30.4	2197 ±219.5
M 42	1.65	1684.78 ±168.67	171.8 ±17.2	1240 ±124	-	-	-	4738.57 ±473.66	483.2 ±48.3	3488.7 ±348.7
M 45	1.77	2072.15 ±206.92	211.3 ±21.1	1525 ±152	-	-	-	5828.09 ±582.51	594.3 ±59.4	4290.9 ±428.9

### Tightening torque (inch)

Classification		4.8T			8.8T			10.9T, 12.9T		
Screw size		Tightening torque			Tightening torque			Tightening torque		
mm	inch	N m	kgf m	lbf ft	N m	kgf m	lbf ft	N m	kgf m	lbf ft
1/4	6.35	9.80 ±0.98	0.6 ±0.06	4.3 ±0.4	23.53 ±2.35	1.0 ±0.1	7.2 ±0.7	16.67 ±1.96	1.7 ±0.2	12.2 ±1.2
5/16	7.94	11.76 ±1.17	1.2 ±0.12	8.7 ±0.8	19.61 ±1.96	2.0 ±0.2	14.4 ±1.4	29.42 ±2.94	3.0 ±0.3	21.7 ±2.2
3/8	9.53	19.61 ±1.96	2.0 ±0.20	14.4 ±1.4	40.20 ±3.92	4.1 ±0.4	29.6 ±2.9	54.91 ±4.90	5.6 ±0.5	40 ±4
7/16	11.11	31.38 ±3.13	3.2 ±0.32	23 ±2	59.82 ±5.88	6.1 ±0.6	44.0 ±4.3	87.27 ±8.82	8.9 ±0.9	64 ±6
1/2	12.70	46.09 ±4.60	4.7 ±0.47	34 ±3	100.02 ±9.80	10.2 ±1.0	73.6 ±7.2	131.40 ±12.74	13.4 ±1.3	97 ±10
9/16	14.29	66.68 ±6.66	6.8 ±0.68	50 ±5	140.23 ±13.72	14.3 ±1.4	103.2 ±10.1	186.32 ±18.63	19.0 ±1.9	137 ±14
5/8	15.88	91.20 ±9.12	9.3 ±0.93	67 ±7	200.05 ±19.61	20.4 ±2.0	147.3 ±14.4	255.95 ±25.49	26.1 ±2.6	190 ±19
3/4	19.05	156.90 ±15.69	16.0 ±1.60	115 ±15	-	-	-	442.28 ±44.12	45.1 ±4.5	325 ±33
7/8	22.22	250.07 ±25.00	25.5 ±2.55	185 ±19	-	-	-	702.15 ±70.60	71.6 ±7.2	520 ±52
1	25.40	372.65 ±37.26	38.0 ±3.80	275 ±27	-	-	-	1048.33 ±104.93	106.9 ±10.7	770 ±77
1 1/8	28.58	530.54 ±53.05	54.1 ±5.41	390 ±39	-	-	-	1492.57 ±149.06	152.2 ±15.2	1100 ±110
1 1/4	31.75	727.65 ±72.76	74.2 ±7.42	535 ±54	-	-	-	2048.61 ±204.95	208.9 ±20.9	1510 ±151
1 3/4	34.93	968.89 ±96.88	98.8 ±9.88	710 ±71	-	-	-	2724.29 ±272.62	277.8 ±27.8	2000 ±200
1 1/2	38.1	1257.21 ±125.72	128.2 ±12.82	925 ± 93	-	-	-	3537.26 ±354.02	360.7 ±36.1	2600 ±260

### NOTE!

This torque table does not apply to screws with nylon packings or where nonferrous metal washers are to be used, or which require tightening to a different specified torque, or tightening procedure.

### NOTE!

N m (Newton meter): 1 N m  $\cong$  0.1 kgf m

### Tightening torque of split flange screws

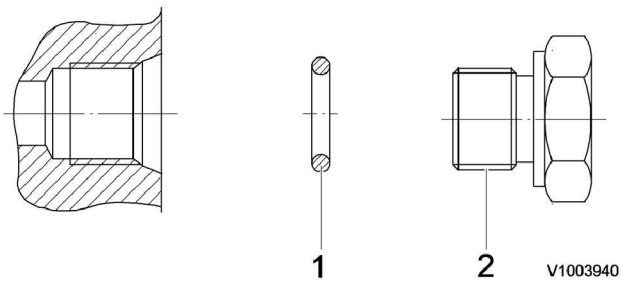
Use these torques for split flange screws.

### Tightening torque (split flange screws)

Thread diameter of screw (mm)	Width across flats (mm)	Tightening torque		
		N m	kgf m	lbf ft

10	14	65.7 ±6.8	6.7 ±0.7	48.4 ±5
12	17	112 ±9.8	11.5 ±1	83 ±8
16	22	279 ±29	28.5 ±3	206 ±20

**Tightening torque for hydraulic plugs with O-ring**



**Figure 1**  
**Hydraulic plugs with O-ring**

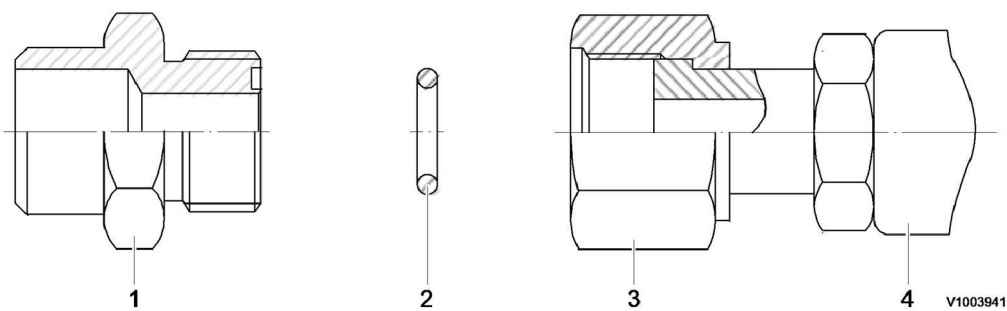
- 1. O-ring
- 2. Plug

**Pf thread**

**Tightening torque (hydraulic plugs)**

Thread	Plug part No.	Tightening torque N m	Tightening torque kgf m	Tightening torque lbf ft
1/8	9415-11012	24.51 ±1.96	2.5 ±0.2	18 ±1.4
1/4	9415-11022	49.03 ±4.90	5.0 ±0.5	36 ±3.6
3/8	9415-11032	73.54 ±4.90	7.5 ±0.5	54 ±3.6
1/2	9415-11042	107.87 ±9.80	11.0 ±1.0	79 ±7
3/4	9415-11052	176.52 ±9.80	18.0 ±1.0	130 ±7
1	9415-11062	205.94 ±19.61	21.0 ±2.0	152 ±14

**Tightening torque for swivel nut fitting with O-ring**



**Figure 2**  
**Swivel nut fitting with O-ring**

- 1. Connector
- 2. O-ring
- 3. Swivel nut
- 4. Hose

**Tightening torque for swivel nut fitting**

<b>Tube outer diameter (in)</b>	<b>Thread size (in)</b>	<b>Tightening torque, N m</b>	<b>Tightening torque, kgf m</b>	<b>Tightening torque, lbf ft</b>
1/2	UN 13/16 – 16	93.16 ±9.31	9.5 ±0.95	69 ±7
3/4	UN 1 3/16 – 12	176.52 ±17.65	18 ±1.8	130 ±13
1	UN 1 7/16 – 12	205.94 ±20.59	21 ±2.1	152 ±15

Document Title: <b>Specification, filling capacities</b>	Function Group: <b>030</b>	Information Type: <b>Service Information</b>	Date: <b>2017/7/7 0</b>
Profile: <b>EC55C Volvo</b>			

## Specification, filling capacities

Showing Selected Profile

Valid for serial numbers			
Model	Production site	Serial number start	Serial number stop
EC55C Volvo			

### Refill capacities

Reservoir	Kind of fluid	Approximate refill capacities
		Liters (US gal)
Engine oil, including filter	Engine oil	11.5 (3)
Hydraulic oil tank	Hydraulic oil	84 (22.2)
Hydraulic system, total	Hydraulic oil	134 (35.4)
Slew gearbox	Engine oil	1 (0.26)
Track gearbox	Gear oil	1.3 (0.3) X 2 EA
Fuel tank	Diesel fuel	110 (29)
Slew ring gear	Grease	6 (1.6)
Cooling system	Coolant	12.1 (3.2)

Document Title: <b>Engine, specifications</b>	Function Group: <b>030</b>	Information Type: <b>Service Information</b>	Date: <b>2017/7/7 0</b>
Profile: <b>EC55C Volvo</b>			

[Go back to Index Page](#)

## Engine, specifications

Showing Selected Profile

Valid for option/configuration			
Model	Option no.	Option	Configuration
EC55C Volvo	8282567	Engine	Engine D3.1D Tier2 w/o EPA Label, w/ PTO

### Specifications

Item	Unit	Specifications
Make	–	Volvo-Yanmar
Model	–	D3.1DCAE2
Type	–	Vertical, in-line, 4-cylinder, water-cooled diesel engine
Combustion chamber	–	Direct injection
Number of cylinder	–	4
Cylinder bore × stroke	mm (in)	94 × 110 (3.2 × 4.3)
Total displacement	cc (cu-in)	3054 (186)
Rated output (Gross)	PS (kW)/rpm	54 (39.7) / 2200
Maximum torque (Net)	Nm/rpm (lbf ft/rpm)	193~213/1000 (143~158/1000)
Firing order	–	1 – 3 – 4 – 2 (No.1 cylinder on flywheel side)
Compression ratio	–	19 : 1
Low idle (No-load)	rpm	960 ±30
High idle (No-load)	rpm	2400 ±30
Nozzle pressure	kgf/cm <sup>2</sup> (psi)	220 ~ 230 (3128 ~ 3270)
Valve clearance	Inlet/Exhaust	mm (in)
		0.15 ~ 0.25 (0.006 ~ 0.010)
Oil pan capacity	Maximum/Minimum	Liter (gal)
		11.5 (3) / 5 (1.3)
Weight of engine (dry)	kg (lb)	260 (573)

Document Title: <b>Engine, specifications</b>	Function Group: <b>030</b>	Information Type: <b>Service Information</b>	Date: <b>2017/7/7 0</b>
Profile: <b>EC55C Volvo</b>			

[Go back to Index Page](#)

## Engine, specifications

Showing Selected Profile

Valid for option/configuration			
Model	Option no.	Option	Configuration
EC55C Volvo	8282568	Engine	Engine D3.1D Stage IIIA EU

Valid for serial numbers			
Model	Production site	Serial number start	Serial number stop
EC55C Volvo	Changwon	110001	120000

### Specifications

Item	Unit	Specifications
Make	–	Volvo-Yanmar
Model	–	D3.1DCBE3
Type	–	Vertical, in-line, 4-cylinder, water-cooled diesel engine
Combustion chamber	–	Direct injection
Number of cylinder	–	4
Cylinder bore × stroke	mm (in)	94 × 110 (3.7 × 4.3)
Total displacement	cc (cu-in)	3054 (186)
Rated output (Gross)	PS (kW)/rpm	49.2 (36.2)/2100
Maximum torque (Net)	Nm/rpm (lbf ft/rpm)	193~213/1000 (143~158/1000)
Firing order	–	1 – 3 – 4 – 2 (No.1 cylinder on flywheel side)
Compression ratio	–	19 : 1
Low idle (No-load)	rpm	960 ±30
High idle (No-load)	rpm	2290 ±30
Nozzle pressure	kgf/cm <sup>2</sup> (psi)	220 ~ 230 (3128 ~ 3270)
Valve clearance	Inlet/Exhaust	mm (in)
Oil pan capacity	Maximum/Minimum	Liter (gal)
Weight of engine (dry)		kg (lb)

Document Title: <b>Engine, specifications</b>	Function Group: <b>030</b>	Information Type: <b>Service Information</b>	Date: <b>2017/7/7 0</b>
Profile: <b>EC55C Volvo</b>			

[Go back to Index Page](#)

## Engine, specifications

Showing Selected Profile

Valid for option/configuration			
Model	Option no.	Option	Configuration
EC55C Volvo	8289349	Engine	Engine D3.4D Tier3 41KW for Korea market

### Specifications

Item	Unit	Specifications
Make	–	Volvo
Model	–	D3.4DCDE3
Type	–	Vertical, in-line, 4-cylinder, water-cooled diesel engine
Combustion chamber	–	Direct injection
Number of cylinder	–	4
Cylinder bore × stroke	mm (in)	98 × 110 (3.9 × 4.3)
Total displacement	cc (cu-in)	3318 (202)
Rated output (Gross)	PS (kW)/rpm	53 (39.6)/2200
Maximum torque (Net)	Nm/rpm (lbf ft/rpm)	200.5/1550 (148.8/1550)
Firing order	–	1 – 3 – 4 – 2 (No.1 cylinder on flywheel side)
Compression ratio	–	18.5 : 1
Low idle (No-load)	rpm	960 ±30
High idle (No-load)	rpm	2350 ±30
Nozzle pressure	kgf/cm <sup>2</sup> (psi)	220 ~ 230 (3128 ~ 3270)
Valve clearance	Inlet/Exhaust	mm (in)
		0.15 ~ 0.25 (0.006 ~ 0.010)
Oil pan capacity	Maximum/Minimum	Liter (gal)
		11.6 (3.1) / 5.2 (1.4)
Weight of engine (dry)	kg (lb)	260 (573)



Document Title: <b>Valve system specifications</b>	Function Group: <b>030</b>	Information Type: <b>Service Information</b>	Date: <b>2017/7/7 0</b>
Profile: <b>EC55C Volvo</b>			

## Valve system specifications

Showing Selected Profile

Valid for serial numbers			
Model	Production site	Serial number start	Serial number stop
EC55C Volvo			

### Adjustment Specifications

Valve clearance, Intake	0.15 ~ 0.25 mm (0.006 ~ 0.010 in)
Valve clearance, Exhaust	0.15 ~ 0.25 mm (0.006 ~ 0.010 in)
Valve bridge clearance	0

### Cylinder head

Item	Standard	Limit
Combustion Surface Distortion (Flatness)	0.05 mm (0.0020 in) or less	0.15 mm (0.0059 in)
Valve Recession, Intake	0.36 ~ 0.56 mm (0.0142 ~ 0.0220 in)	0.8 mm (0.0315 in)
Valve Recession, Exhaust	0.35 ~ 0.55 mm (0.0138 ~ 0.0217 in)	0.8 mm (0.0315 in)
Valve seat angle, Intake	120°	—
Valve seat angle, Exhaust	90°	—
Seat correction angle	40°, 150°	—

Document Title: <b>Lubrication specifications</b>	system, <b>030</b>	Function Group:	Information Type: <b>Service Information</b>	Date: <b>2017/7/7 0</b>
Profile: <b>EC55C Volvo</b>				

## Lubrication system, specifications

Showing Selected Profile

Valid for serial numbers			
Model	Production site	Serial number start	Serial number stop
EC55C Volvo			

Item	Unit	Specifications
Lubrication oil pump, type	—	Trochoid pump
Engine oil pressure	Rated engine speed	MPa (psi) (bar) 0.29 ~ 0.39 (42 ~ 56.6) (2.9 ~ 3.9)
	Low idle speed	MPa (psi) (bar) ≥0,06 (8.7) (0.6)
Oil Pressure Switch Operating Pressure	MPa (psi) (bar)	0.04 ~ 0.06 (5.8 ~ 8.8) (0.4 ~ 0.6)

Document Title: <b>Fuel system, specifications</b>	Function Group: <b>030</b>	Information Type: <b>Service Information</b>	Date: <b>2017/7/7 0</b>
Profile: <b>EC55C Volvo</b>			

## Fuel system, specifications

Showing Selected Profile

<b>Valid for serial numbers</b>			
<b>Model</b>	<b>Production site</b>	<b>Serial number start</b>	<b>Serial number stop</b>
EC55C Volvo			

<b>Fuel system</b>	
Fuel supply pump	Electric
Injection fuel pump	Direct injection
Fuel injector pressure	21.6 ~ 22.6 MPa (3133 ~ 3278 psi) (216 ~ 226 bar)

Document Title: <b>Fuel tank, specifications</b>	Function Group: <b>030</b>	Information Type: <b>Service Information</b>	Date: <b>2017/7/7 0</b>
Profile: <b>EC55C Volvo</b>			

## Fuel tank, specifications

Showing Selected Profile

<b>Valid for serial numbers</b>			
<b>Model</b>	<b>Production site</b>	<b>Serial number start</b>	<b>Serial number stop</b>
EC55C Volvo			

<b>Fuel tank</b>	
Volume	110 liters (29 US gal)
Weight	42 kg (92.6 lbs)

Document Title: <b>Fuel filler pump, specifications</b>	Function Group: <b>030</b>	Information Type: <b>Service Information</b>	Date: <b>2017/7/7 0</b>
Profile: <b>EC55C Volvo</b>			

## Fuel filler pump, specifications

Showing Selected Profile

Valid for serial numbers			
Model	Production site	Serial number start	Serial number stop
EC55C Volvo			

### Specifications

Item	Specifications
Rated voltage	DC 12 V
Rated current	18 A (at 3 m head)
Output flow	35 lpm (at 3 m head)
Continuous working time (minutes)	30 at 20 °C, 25 at 30 °C, 20 at 40 °C
Working temperature	-30 ~ 80 °C (-22 ~ 176 °F)

Document Title: <b>Fuel injection pump, specifications</b>	Function Group: <b>030</b>	Information Type: <b>Service Information</b>	Date: <b>2017/7/7 0</b>
Profile: <b>EC55C Volvo</b>			

## Fuel injection pump, specifications

Showing Selected Profile

Valid for serial numbers			
Model	Production site	Serial number start	Serial number stop
EC55C Volvo			

### Specifications

Item	Unit	Specifications
Plunger diameter	mm (in)	10 (0.39)
Max. cam lift	mm (in)	10 (0.39)
Fuel injection timing control system	-	Built-in hydraulic control timer
Fuel feed pump	-	Forced lubrication system with trochoid pump
Lubrication system	-	Engine system oil
Dry weight	kg (lb)	11.5 (25.4)

Document Title: <b>Injectors, specification</b>	Function Group: <b>030</b>	Information Type: <b>Service Information</b>	Date: <b>2017/7/7 0</b>
Profile: <b>EC55C Volvo</b>			

## Injectors, specification

Showing Selected Profile

Valid for serial numbers			
Model	Production site	Serial number start	Serial number stop
EC55C Volvo			

### Fuel injection nozzle, specifications

Description	Unit	Specifications							
		Nozzle opening pressure	-	21.57 MPa	+0.98 0	220 kgf/ cm <sup>2</sup>	+10 0	3129 psi	+142 0
Nozzle angle	°	162							
		159							
No. of nozzles × diameter	mm (inch)	5 × 0.16 (0.2 × 0.0063)							
		5 × 0.17 (0.2 × 0.0067)							

Document Title: <b>Cooling specifications</b>	Function Group: <b>system, 030</b>	Information Type: <b>Service Information</b>	Date: <b>2017/7/7 0</b>
Profile: <b>EC55C Volvo</b>			

[Go back to Index Page](#)

## Cooling system, specifications

Showing Selected Profile

Valid for serial numbers			
Model	Production site	Serial number start	Serial number stop
EC55C Volvo			

### Specifications

Item		Unit	Specifications
Radiator	Core type	–	CF (Wave fin)
	Material	–	Copper & Brass
	Core size (W × H × D)	mm (inch)	526 × 550 × 66 (20.7 × 21.7 × 2.6)
	Heat rejection	Kcal/h	52000 kcal/hr (Front velocity : 6.35 m/sec)
	Weight (dry)	kg (lb)	14.2 (31.3)
Hydraulic oil cooler	Core type	–	CF (Wave fin)
	Material	–	Aluminium
	Core size (W × H × D)	mm (inch)	517.6 × 481 × 48 (20.4 × 19 × 1.26)
	Heat rejection	Kcal/h	17000 kcal/hr (Front velocity : 6.35 m/sec)
	Weight (dry)	kg (lb)	5 (11)
Thermostat	Valve opening temperature	°C (°F)	82 (179.6)
	Full opening lift temperature	°C (°F)	8mm (0.32 inch) or above 95 (203)



Document Title: <b>Cooling specifications</b>	Function Group: <b>system, 030</b>	Information Type: <b>Service Information</b>	Date: <b>2017/7/7 0</b>
Profile: <b>EC55C Volvo</b>			

[Go back to Index Page](#)

## Cooling system, specifications

Showing Selected Profile

Valid for option/configuration			
Model	Option no.	Option	Configuration
EC55C Volvo	8289349	Engine	Engine D3.4D Tier3 41KW for Korea market

Valid for serial numbers			
Model	Production site	Serial number start	Serial number stop
EC55C Volvo	Changwon	120001	210000

### Specifications

Item		Unit	Specifications
Radiator	Core type	–	CF (Wave fin)
	Material	–	Copper & Brass
	Core size (W × H × D)	mm (inch)	526 × 550 × 66 (20.7 × 21.7 × 2.6)
	Heat rejection	Kcal/h	52000 kcal/hr (Front velocity : 6.35 m/sec)
	Pressure cap open pressure	kg/cm <sup>2</sup>	0.9
	Weight (dry)	kg (lb)	14.2 (31.3)
Hydraulic oil cooler	Core type	–	CF (Wave fin)
	Material	–	Aluminium
	Core size (W × H × D)	mm (inch)	517.6 × 481 × 49 (20.4 × 19 × 1.93)
	Heat rejection	Kcal/h	13800 kcal/hr (Front velocity : 6.35 m/sec)
	Weight (dry)	kg (lb)	5 (11)
Thermostat	Valve opening temperature	°C (°F)	82 (179.6)
	Full opening lift temperature	°C (°F)	8mm (0.32 inch) or above 95 (203)

Document Title: <b>Electrical specifications</b>	system, <b>030</b>	Function Group:	Information Type: <b>Service Information</b>	Date: <b>2017/7/7 0</b>
Profile: <b>EC55C Volvo</b>				

## Electrical system, specifications

Showing Selected Profile

Valid for serial numbers			
Model	Production site	Serial number start	Serial number stop
EC55C Volvo			

### Specification

Electrical system	
System voltage	DC 12 V

Document Title: <b>Instrument control unit I-ECU, specifications</b>	Function Group: <b>030</b>	Information Type: <b>Service Information</b>	Date: <b>2017/7/7 0</b>
Profile: <b>EC55C Volvo</b>			

## Instrument control unit I-ECU, specifications

Showing Selected Profile

<b>Valid for serial numbers</b>			
<b>Model</b>	<b>Production site</b>	<b>Serial number start</b>	<b>Serial number stop</b>
EC55C Volvo	Changwon	120001	210000

<b>Item</b>	<b>Specifications</b>
Operating voltage	6 – 18 VDC
Rated supply voltage	14 VDC
Operating temperature	-40 – 70 °C (-40–158 °F)
Connector	TYCO 23 WAYS

Document Title: <b>Battery, specifications</b>	Function Group: <b>030</b>	Information Type: <b>Service Information</b>	Date: <b>2017/7/7 0</b>
Profile: <b>EC55C Volvo</b>			

[Go back to Index Page](#)

## Battery, specifications

Showing Selected Profile

Valid for serial numbers			
Model	Production site	Serial number start	Serial number stop
EC55C Volvo			

### Battery, specifications

Items	Specifications
Quantity	1
Battery voltage (nominal)	12 V
Capacity	100 Ah
Type	MF

Document Title: <b>Battery, specifications</b>	Function Group: <b>030</b>	Information Type: <b>Service Information</b>	Date: <b>2017/7/7 0</b>
Profile: <b>EC55C Volvo</b>			

[Go back to Index Page](#)

## Battery, specifications

Showing Selected Profile

<b>Valid for serial numbers</b>			
<b>Model</b>	<b>Production site</b>	<b>Serial number start</b>	<b>Serial number stop</b>
EC55C Volvo	Changwon	120001	210000

### Battery, specifications

<b>Items</b>	<b>Specifications</b>
Quantity	1
Battery voltage (nominal)	12 V
Capacity	100 Ah
Type	MF
Weight	25 kg (55 lbs)

Document Title: <b>Alternator, specifications</b>	Function Group: <b>030</b>	Information Type: <b>Service Information</b>	Date: <b>2017/7/7 0</b>
Profile: <b>EC55C Volvo</b>			

[Go back to Index Page](#)

## Alternator, specifications

Showing Selected Profile









<b>Valid for serial numbers</b>			
<b>Model</b>	<b>Production site</b>	<b>Serial number start</b>	<b>Serial number stop</b>
EC55C Volvo			

### Alternator, specifications

<b>Items</b>	<b>Description</b>
Type	Alternating current (AC)
Nominal output	12 V 65 A
Max. revolution	1100 rpm
Current rating	40A at 2000 rpm, 65 A at 6000 rpm

**Please Click Here To Download The Complete Manual**  
**Download Other Manuals**  
**If Having Any Questions Feel Free To Contact us**

**[admin@servicemanualbit.com](mailto:admin@servicemanualbit.com)**

- 
-  [General](#)
  -  [Standard Parts , Service](#)
  -  [Engine with Mounting and Equipment](#)
  -  [Elec. System, Warning System, Information System, Instruments](#)
  -  [Power Transmission](#)
  -  [Frame and Track Unit](#)
  -  [Machinery House, Cab, Exterior Trim Parts Anywhere](#)
  -  [Hydraulic System, Digging, Handling, Grading Equipment, Misc Equipment](#)