

Service Manual

JS110
JS130
JS150LC

PUBLISHED BY THE
TECHNICAL PUBLICATIONS DEPARTMENT
OF JCB SERVICE; ©
ROCESTER, STAFFORDSHIRE, ST14 5LS,
ENGLAND

Tel. ROCESTER (0889) 590312
PRINTED IN ENGLAND

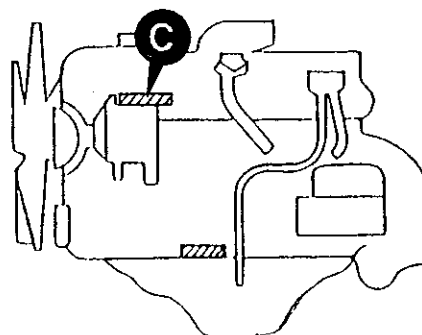
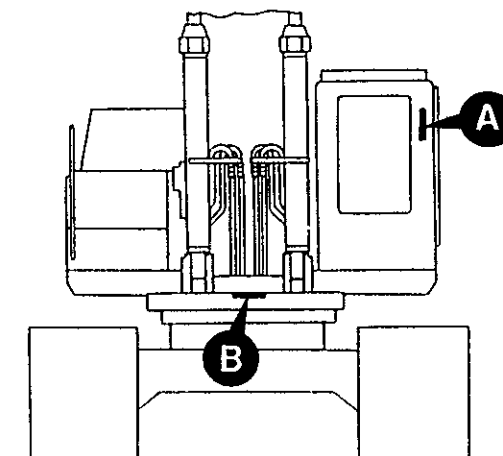
Publication No. 9803/6100

General Information	1
Care & Safety	2
Routine Maintenance	3
Optional Equipment	A
Body & Framework	B
Electrics	C
Hydraulics	E
Transmission	F
Brakes	G
Track & Running Gear	J
Engine	K

Contents	Page No.
Machine Identification	1 - 1
Torque Settings	2 - 1
Service Tools	
Section - C Electrics	4 - 1
Section - E Hydraulics	5 - 1
Section - F Transmission	6 - 1
Sealing and Retaining Compounds	7 - 1

Each machine has a Data Plate, located to the rear left, inside the cab as shown at **A**. The machine serial number is inscribed at **B** and the engine number at **C**.

If the engine is replaced by a new one, the data plate serial number will be wrong. Either stamp the new number on the plate or stamp out the old one. This will prevent the wrong number being quoted when ordering replacement parts.



Torque Settings

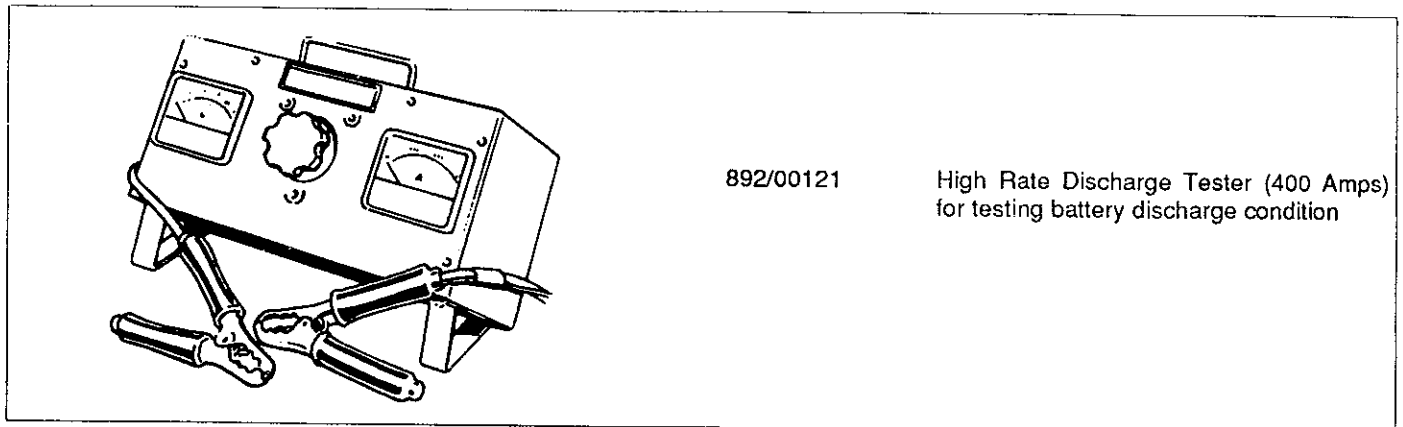
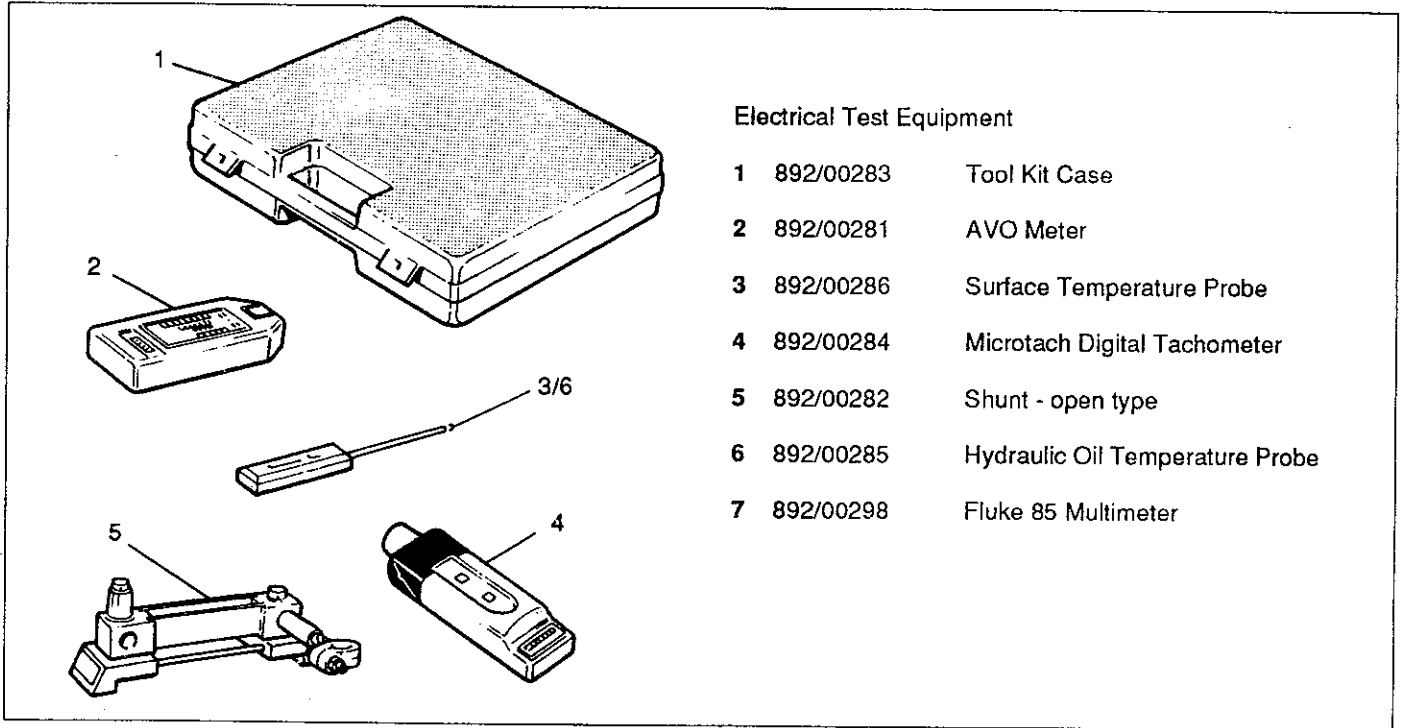
Note 1: The figures quoted are for non-plated fasteners and are to be used only when there is no torque setting specified in the relevant procedure in this service manual.

Note 2: The 4T grade settings DO NOT APPLY to fasteners used on the engine. If any 4T specification fasteners are found on the engine these must be tightened to the figure quoted in the relevant engine manual.

Bolt Size	Strength Grade of Bolt or Stud								
	4T			8.8			10.9		
	Nm	kgf m	lbf ft	Nm	kgf m	lbf ft	Nm	kgf m	lbf ft
M3	0.39	0.04	0.28	-	-	-	-	-	-
M4	0.78	0.08	0.57	-	-	-	-	-	-
M5	1.67	0.17	1.2	-	-	-	-	-	-
M6	2.84	0.29	2.1	8.04	0.82	5.9	11.3	1.15	8.3
M8	7.06	0.72	5.2	19.6	2.00	14.5	27.7	2.82	20.4
M10	14.0	1.43	10.3	39.1	3.99	28.8	55.0	5.61	40.6
M12	24.6	2.51	18.1	68.5	6.98	50.5	96.2	9.81	71
M16	61.9	6.31	45.7	173	17.6	127.6	242	24.7	178.5
M20	122	12.4	90	337	34.4	249	475	48.4	350
M22	167	17.0	123	464	47.3	342	652	66.5	481
M24	210	21.4	155	584	59.5	431	821	83.7	606
M27	311	31.7	229	864	88.1	637	1220	124	900
M30	420	42.8	310	1170	119	863	1650	168	1217
M33	576	58.7	425	1600	163	1180	2260	230	1667
M36	736	75.1	543	2050	209	1512	2880	294	2124
M39	961	98.0	709	2680	273	1977	3760	383	2773
M42	1190	121	878	3300	336	2434	4640	473	3422
M45	1490	152	1099	4140	422	3054	5820	593	4293
M48	1780	182	1312	4960	506	3659	6970	711	5141

Service Tools

SECTION C - ELECTRICS



Please Click Here To Download The Complete Manual
Download Other Manuals
If Having Any Questions Feel Free To Contact us

admin@servicemanualbit.com