

8014, 8016, 8018, 8020

[Section 1 - General Information](#)

[Section 2 - Care and Safety](#)

[Section 3 - Maintenance](#)

[Section A - Attachments](#)

[Section B - Body and Framework](#)

[Section C - Electrics](#)

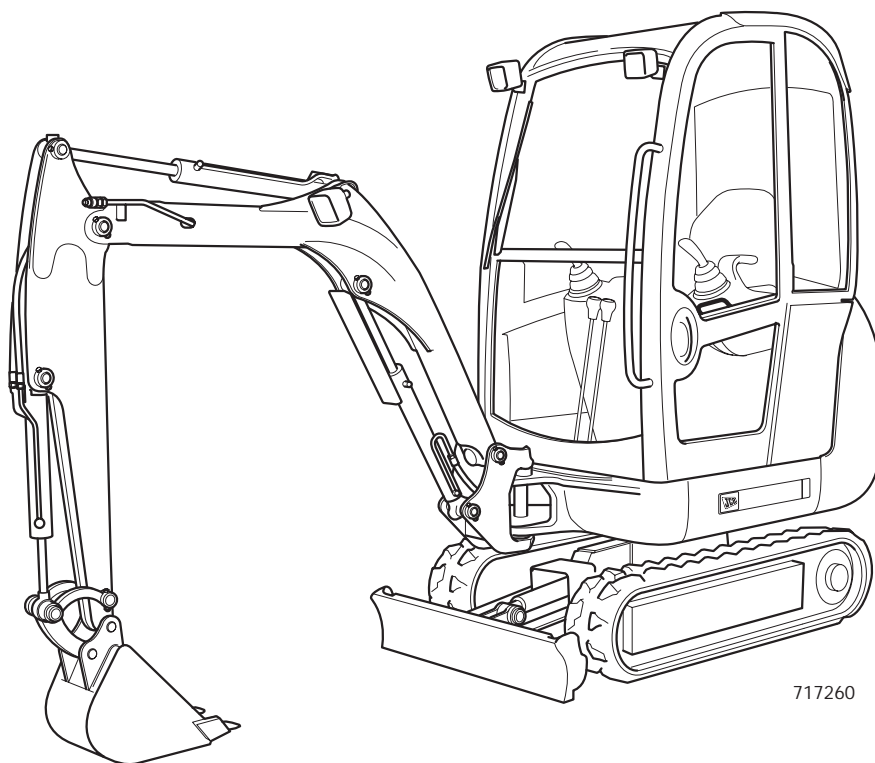
[Section D - Controls](#)

[Section E - Hydraulics](#)

[Section F - Gearboxes](#)

[Section J - Track and Running Gear](#)

[Section K - Engine](#)



Publication No.
9803/9350-4



Copyright © 2004 JCB SERVICE. All rights reserved. No part of this publication may be reproduced, stored in a retrieval system, or transmitted in any form or by any other means, electronic, mechanical, photocopying or otherwise, without prior permission from JCB SERVICE.

General Information

Service Manual - 8014, 8016, 8018, 8020

[Section 1 - General Information](#)

[Section 2 - Care and Safety](#)

[Section 3 - Maintenance](#)

[Section A - Attachments](#)

[Section B - Body and Framework](#)

[Section C - Electrics](#)

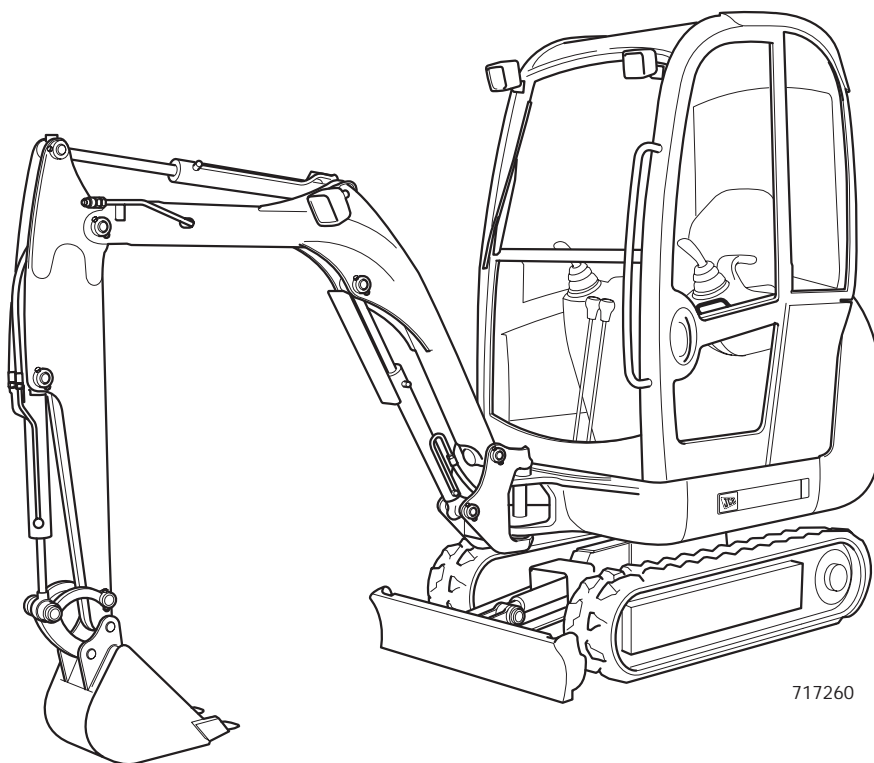
[Section D - Controls](#)

[Section E - Hydraulics](#)

[Section F - Gearboxes](#)

[Section J - Track and Running Gear](#)

[Section K - Engine](#)



Publication No.
9803/9350-4



Copyright © 2004 JCB SERVICE. All rights reserved. No part of this publication may be reproduced, stored in a retrieval system, or transmitted in any form or by any other means, electronic, mechanical, photocopying or otherwise, without prior permission from JCB SERVICE.



Section 1 - General Information

Contents	Page No.
Introduction	
About this Manual	1-1
Machine Model and Serial Number	1-1
Using the Service Manual	1-1
Section Numbering	1-1
Left Side, Right Side	1-2
Cross References	1-2
Identifying Your Machine	1-3
Machine Identification Plate	1-3
Component Identification Plates	1-4
Standard Torque Settings	
Zinc Plated Fasteners and Dacromet Fasteners	1-6
Introduction	1-6
Bolts and Screws	1-6
Hydraulic Connections	1-10
'O' Ring Face Seal System	1-10
'Torque Stop' Hose System	1-13
O-Ring Face Seal	1-14
Introduction	1-14
Machines Affected	1-14
Procedure	1-15
Key Points	1-15
General	1-17
Service Tools	
Numerical List	1-18
Tool Detail Reference	1-21
Section B - Frame and Bodywork	1-21
Section C - Electrics	1-25
Section E - Hydraulics	1-26
Section K - Engine	1-31
Service Consumables	
Sealing and Retaining Compounds	1-32
Terms and Definitions	
Colour Coding	1-33
Hydraulic Schematic Colour Codes	1-33

Please Click Here To Download The Complete Manual
Download Other Manuals
If Having Any Questions Feel Free To Contact us

admin@servicemanualbit.com