

Wheeled Loading Shovel - 412S, 414S, 416S

[Section 1 - General Information](#)

[Section 2 - Care and Safety](#)

[Section 3 - Routine Maintenance](#)

[Section B - Body and Framework](#)

[Section C - Electrics](#)

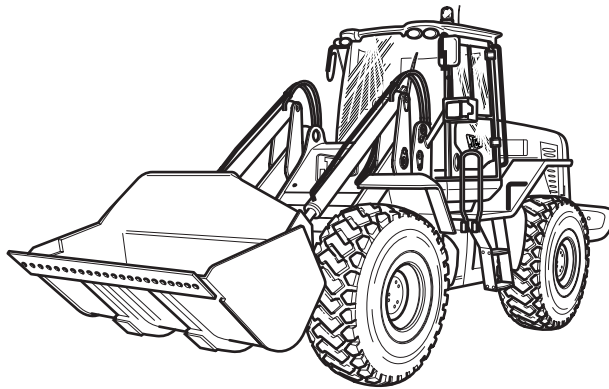
[Section E - Hydraulics](#)

[Section F - Transmission](#)

[Section G - Brakes](#)

[Section H - Hydraulic Steering](#)

[Section K - Engine](#)



Publication No.
9803/4170-14



Copyright © 2004 JCB SERVICE. All rights reserved. No part of this publication may be reproduced, stored in a retrieval system, or transmitted in any form or by any other means, electronic, mechanical, photocopying or otherwise, without prior permission from JCB SERVICE.

General Information

Service Manual - Wheeled Loading Shovel - 412S, 416S, 416S

[Section 1 - General Information](#)

[Section 2 - Care and Safety](#)

[Section 3 - Routine Maintenance](#)

[Section B - Body and Framework](#)

[Section C - Electrics](#)

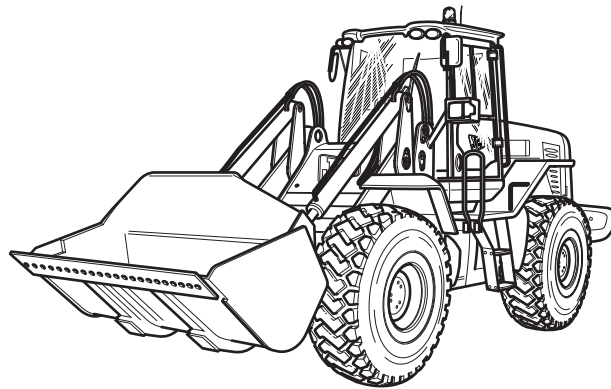
[Section E - Hydraulics](#)

[Section F - Transmission](#)

[Section G - Brakes](#)

[Section H - Hydraulic Steering](#)

[Section K - Engine](#)



Publication No.
9803/4170-10



Copyright © 2004 JCB SERVICE. All rights reserved. No part of this publication may be reproduced, stored in a retrieval system, or transmitted in any form or by any other means, electronic, mechanical, photocopying or otherwise, without prior permission from JCB SERVICE.

Issued by JCB Technical Publications, JCB Service, World Parts Centre, Beamhurst, Uttoxeter, Staffordshire, ST14 5PA, England. Tel +44 1889 590312 Fax +44 1889 593377

World Class
Customer Support



Page left intentionally blank



Section 1 - General Information

Contents	Page No.
Introduction	
About this Publication	1 - 1
Identifying your Machine	
Identification Plates	1 - 2
Torque Settings	
Zinc Plated Fasteners (golden finish)	1 - 5
JCB Standard Torque Settings B.S.P. Port Connection (Colour Coded)	1 - 6
JCB Standard Torque Settings for Hose Ends and Flanged Fittings (Colour Coded)	1 - 7
Service Tools	
Numerical List Section B - Body and Framework	1 - 8
Tool Detail Reference Section B - Body and Framework	1 - 9
Numerical List Section C - Electrics	1 - 13
Tool Detail Reference Section C - Electrics	1 - 14
Numerical List Section E - Hydraulics	1 - 15
Tool Detail Reference Section E- Hydraulics	1 - 18
Numerical List Section F - Transmission	1 - 22
Tool Detail Reference Section F - Transmission	1 - 23
Numerical List Section K - Engine	1 - 26
Tool Detail Reference Section K - Engine	1 - 27
Service Consumables	
Sealing and Retaining Compounds	1 - 28

Please Click Here To Download The Complete Manual
Download Other Manuals
If Having Any Questions Feel Free To Contact us

admin@servicemanualbit.com