

PARTS MANUAL

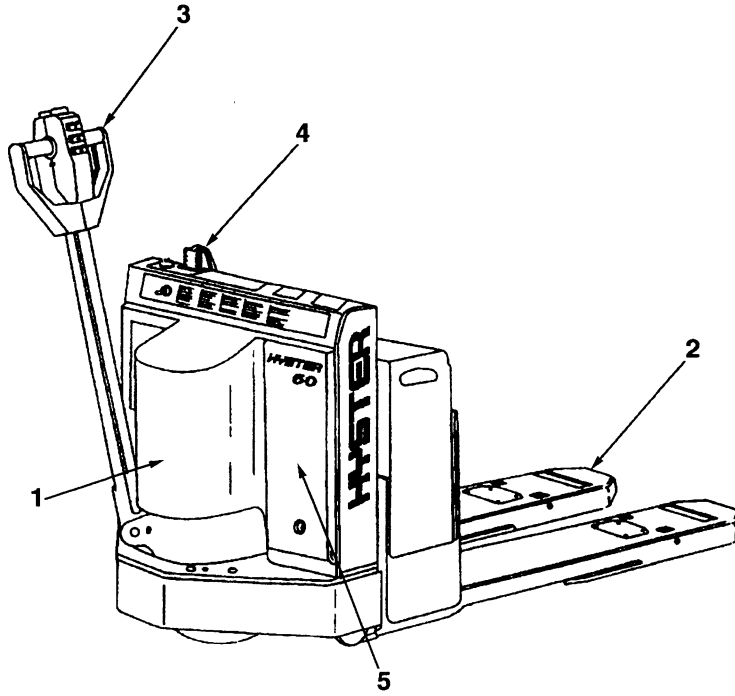
**WALKIE
W60-80XT**

(E135)

CUSTOMER EDITION

HYSTER

ILLUSTRATED CONTENTS



NA00820

REF.	DIVISION	PAGE
1	Frame/Drive Unit	1
2	Lift Linkage/Forks	11
3	Steer Handle/Brake	19
4	Electrical	27
5	Hydraulic	35
6	Options	41
7	Numerical Index	45

TABLE OF CONTENTS

DESCRIPTION	PAGE NO.
BATTERY DISCHARGE INDICATOR (Figure 23)	43
BATTERY RETENTION (Figure 2)	3
BRAKE SHOE/LINKAGE (Figure 12) BOTTOM MOUNTED HANDLE	24
CASTER (Figure 9)	17
CONTACTOR-FORWARD/REVERSE (Figure 17)	32
CONTACTOR-FORWARD/REVERSE "EE" (Figure 18)	33
CONTROL-HANDLE (Figure 10)	20
CONTROL HEAD-SWITCHES (Figure 11)	22
CONTROL PANEL (Figure 15)	29
CONTROL PANEL "EE" (Figure 16)	30
DRIVE UNIT (Figure 4)	6
ELECTRICAL ARRANGEMENT (Figure 14)	28
HOODS AND COVERS (Figure 1) BOTTOM MOUNTED HANDLE	2
HOURLY METER/BATTERY-GAUGE (Figure 23)	43
HYDRAULIC POWER UNIT (Figure 21)	38
HYDRAULIC SYSTEM (Figure 19)	36
LABELS/PAINT (Figure 3) BOTTOM MOUNTED HANDLE	4
LIFT CYLINDER (Figure 20)	37
LIFT LINKAGE (Figure 5)	12
LOAD BACKREST (Figure 22)	42
LOAD WHEEL/SUPPORT (Figure 7) DUAL	15
LOAD WHEEL/SUPPORT (Figure 6) SINGLE (W60XT)	14
LOAD WHEEL/SUPPORT (Figure 8) TANDEM	16

TABLE OF CONTENTS

DESCRIPTION	PAGE NO.
STEER HANDLE MOUNTING (Figure 13) BOTTOM MOUNTED HANDLE	25
TRACTION MOTOR (Figure 5)	8

Please Click Here To Download The Complete Manual
Download Other Manuals
If Having Any Questions Feel Free To Contact us

admin@servicemanualbit.com