

PARTS MANUAL

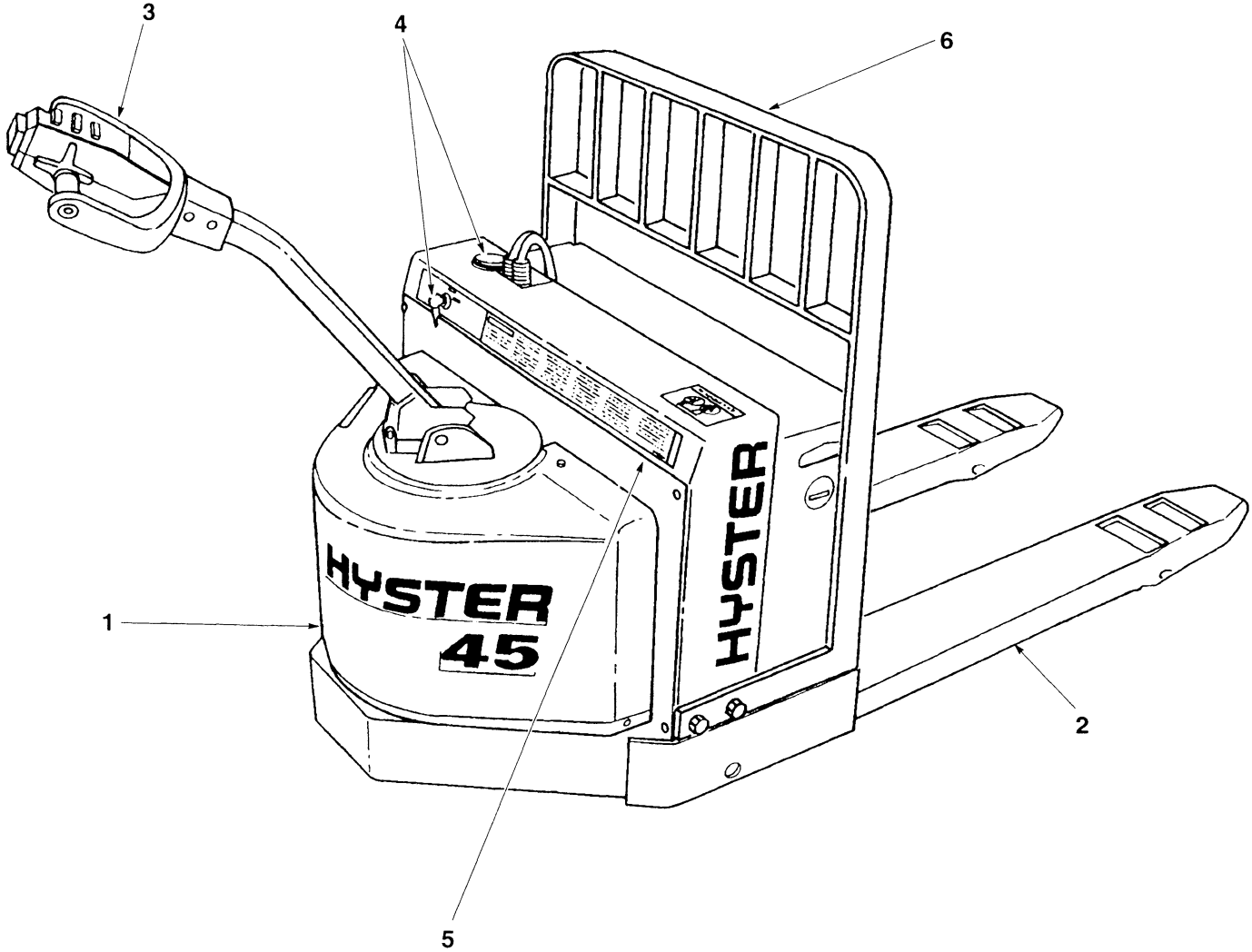
**WALKIE
W45XT**

(A215)

CUSTOMER EDITION

HYSTER

ILLUSTRATED CONTENTS



REF.	DIVISION	PAGE
1	Frame/Drive Unit and Brake	1
2	Lift Linkage and Forks	11
3	Steer Handle	15
4	Electrical	21
5	Hydraulic	31
6	Optional Equipment	37
7	Numerical Index	39

TABLE OF CONTENTS

DESCRIPTION	PAGE NO.
BRAKE-LINKAGE (Figure 6)	9
CONTACTOR-FORWARD/REVERSE (Figure 15)	30
CONTROL PANEL (Figure 14) FIRST USED ON S/N A215H03298S	28
CONTROL PANEL (Figure 13) LAST USED ON S/N A215H03297S	26
DRIVE FRAME (Figure 2)	3
ELECTRICAL (Figure 12) FIRST USED ON S/N A215H03298S	24
ELECTRICAL (Figure 11) LAST USED ON S/N A215H03297S	22
HOODS AND COVERS (Figure 1)	2
HYDRAULIC MOTOR (Figure 19)	36
HYDRAULIC PUMP AND MOTOR (Figure 18)	34
HYDRAULIC SYSTEM (Figure 16)	32
LABELS/PAINT (Figure 3)	4
LIFT CYLINDER (Figure 17)	33
LIFT LINKAGE AND FORKS (Figure 7)	12
LOAD BACKREST (Figure 20)	38
MASTER DRIVE UNIT AND BRAKE (Figure 4)	6
STEER HANDLE HEAD (Figure 10) FIRST USED ON S/N A215N03582T	18
STEER HANDLE HEAD (Figure 9) LAST USED ON S/N A215N03581T	16
TRACTION MOTOR (Figure 5)	8
WHEEL/SUPPORT (Figure 8)	14

Please Click Here To Download The Complete Manual
Download Other Manuals
If Having Any Questions Feel Free To Contact us

admin@servicemanualbit.com