

# **PARTS MANUAL**

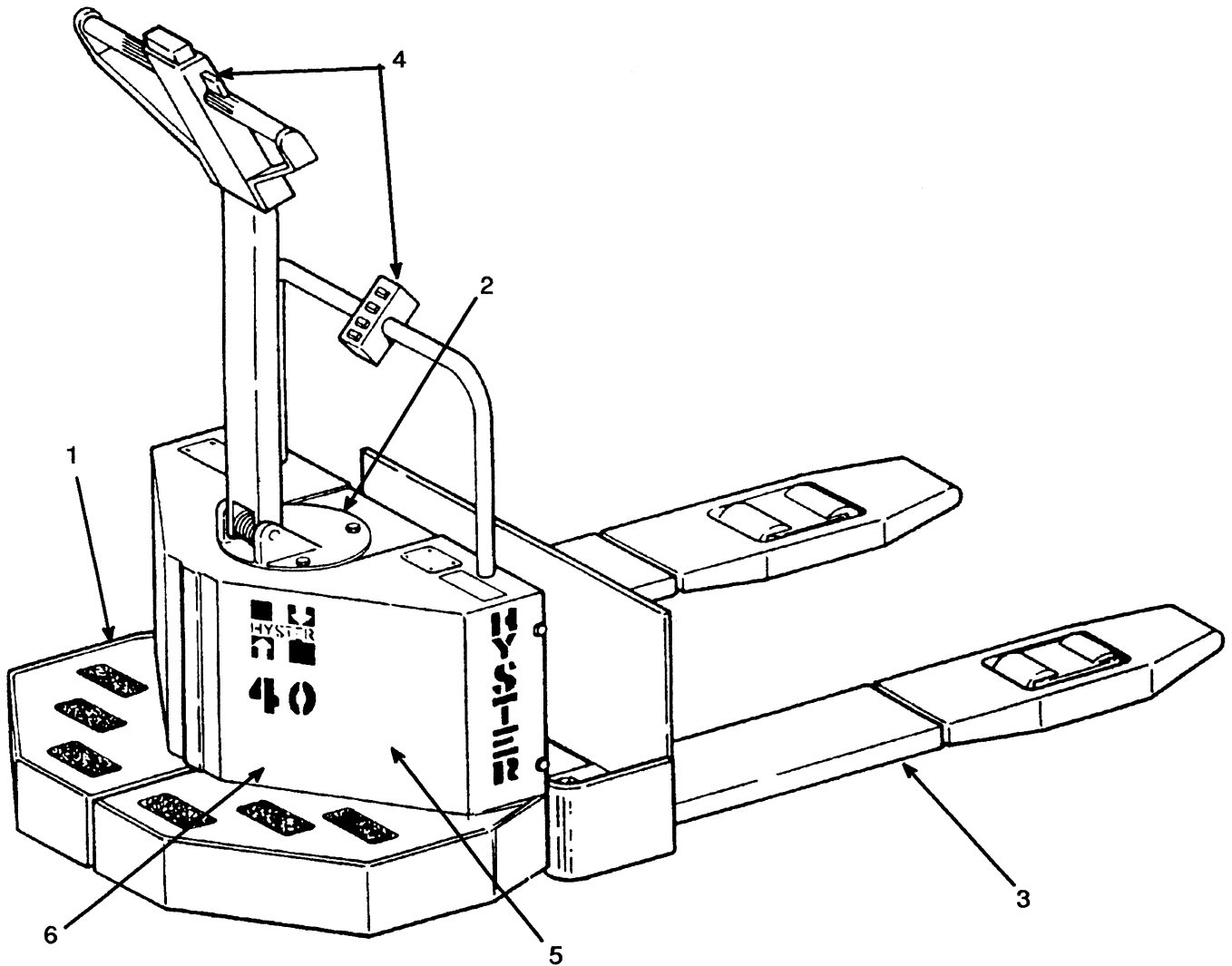
**WALKIE/RIDER  
W40XL, W60XL  
B40XL, B60XL**

**(D135)**

**CUSTOMER EDITION**

# ***HYSTER***

## ILLUSTRATED CONTENTS



REF	SECTION	PAGE
1	FRAME & MASTER DRIVE UNIT .....	Page 3
2	MASTER DRIVE UNIT .....	Page 15
3	LIFT & FORKS LINKAGE .....	Page 25
4	BRAKES & STEERING .....	Page 37
5	ELECTRICAL .....	Page 51
6	HYDRAULIC .....	Page 101
7	NUMERICAL INDEX .....	Page 115

**TABLE OF CONTENTS**

<b>DESCRIPTION</b>	<b>PAGE</b>
1A/2A CONTACTOR (Figure 25) W40-60XL RESISTOR .....	Page 60
1A/2A CONTACTOR (Figure 26) B40-60XL RESISTOR .....	Page 62
<b>B</b>	
BRAKES/STEERING (Figure 18) .....	Page 38
<b>C</b>	
CASTER (Figure 4) .....	Page 8
CASTER (Figure 5) .....	Page 10
CASTER (Figure 6) .....	Page 12
CONTACTOR (Figure 40) SCR LAST USED ON D135K-4144 .....	Page 91
CONTACTOR (Figure 41) WITHOUT C-FORM SWITCH USED ON D135K-4145 TO D135U-2644 .....	Page 92
CONTACTOR (Figure 42) WITHOUT C-FORM SWITCH USED ON D135K-4145 TO D135U-2644 .....	Page 93
CONTROL HEAD (Figure 20) .....	Page 42
CONTROL PANEL (Figure 34) SCR MOTOR UNIT LAST USED ON D135K-4144 .....	Page 80
CONTROL PANEL (Figure 35) SCR POWER UNIT 2004048 LAST USED ON D135K-4144 .....	Page 82
CONTROL PANEL (Figure 36) SCR POWER UNIT 1310863 LAST USED ON D135K-4144 .....	Page 84
CONTROL PANEL (Figure 38) SCR POWER UNIT USED ON D135K-4145 TO D135U-2644 .....	Page 88

**TABLE OF CONTENTS**

<b>DESCRIPTION</b>	<b>PAGE</b>
<b>D</b>	
DISC BRAKE (Figure 19) .....	Page 40
<b>E</b>	
ELECTRICAL (Figure 29) EE CLASSIFICATION LAST USED ON D135U-2644 .....	Page 68
ELECTRICAL SYSTEM (Figure 23) W40-60XL RESISTOR .....	Page 54
ELECTRICAL SYSTEM (Figure 24) B40-60XL RESISTOR .....	Page 56
ELECTRICAL SYSTEM (Figure 33) SCR LAST USED ON D135U-2644 .....	Page 78
ELECTRICAL SYSTEM (Figure 37) SCR FIRST USED ON D135K-4145, D135H-1501 & D135N-1501 .....	Page 86
ELECTRICAL SYSTEM (Figure 43) 12 VOLT: FIRST USED ON D135U-3281 EXCEPT 3286,3304,3308,3319,3323,3324,3328,3340,3343,3348, 3349,3363,3364 24 VOLT: FIRST USED ON D135U-2645 .....	Page 94
<b>F</b>	
FOOT BRAKE (Figure 21) B40-60XL .....	Page 46
FORWARD/REVERSE CONTACTOR (Figure 27) RESISTOR 12 VOLT: LAST USED ON D135U-3280 INCLUDING 3286, 3304, 3308, 3319, 3323, 3324, 3328, 3340, 3343, 3348, 3349, 3363, 3364 24 VOLT: LAST USED ON D135U-2644 .....	Page 64
FOWARD/REVERSE CONTACTOR (Figure 45) 12 VOLT: FIRST USED ON D135U-3281 EXCEPT 3286,3304,3308,3319,3323,3324,3328,3340,3343,3348, 3349,3363,3364 24 VOLT: FIRST USED ON D135U-2645 .....	Page 98
FRAME & BODY (Figure 3) .....	Page 6

## TABLE OF CONTENTS

**DESCRIPTION** **PAGE**

**F (Continued)**

FUSE BOX (Figure 31)  
EE CLASSIFICATION  
LAST USED ON D135U-2644 ..... Page 74

FUSES/FUSE BOX (Figure 44)  
12 VOLT: FIRST USED ON D135U-3281 EXCEPT  
3286,3304,3308,3319,3323,3324,3328,3340,3343,3348,  
3349,3363,3364  
24 VOLT: FIRST USED ON D135U-2645 ..... Page 97

**H**

HOURLY METER/BATTERY GAUGE (Figure 32) ..... Page 76

HYDRAULIC (Figure 48) ..... Page 102

HYDRAULIC MOTOR (Figure 51)  
LAST USED ON S/N D135U-1553 INCLUDING 1561,1608,1726,  
1731,2013,2015,2016 ..... Page 110

HYDRAULIC MOTOR (Figure 53)  
IDENTIFY BY PART NUMBER  
FIRST USED ON S/N D135U-1554 EXCEPT 1561,1608,1726,  
1731,2013,2015,2016, D135H-1501 & D135N-1501 ..... Page 112

HYDRAULIC MOTOR (Figure 54)  
OPTIONAL: IDENTIFY BY PART NUMBER  
FIRST USED ON S/N D135U-1554 EXCEPT 1561,1608,1726,  
1731,2013,2015,2016 ..... Page 113

HYDRAULIC PUMP & MOTOR (Figure 48)  
LAST USED ON S/N D135U-1553 INCLUDING 1561,1608,  
1726,1731,2013,2015,2016 ..... Page 104

HYDRAULIC PUMP & MOTOR (Figure 50)  
FIRST USED ON S/N D135U-1554 EXCEPT 1561,1608,  
1726,1731,2013,2015,2016, D135H-1501 & D135N-1501 ..... Page 108

HYDRAULIC PUMP (Figure 52)  
LAST USED ON S/N D135U-1553 INCLUDING 1561,1608,1726,  
1731,2013,2015,2016 ..... Page 111

HYDRAULIC PUMP & MOTOR (Figure 49)  
OPTIONAL: IDENTIFY BY PART NUMBER  
LAST USED ON S/N D135U-1553 INCLUDING 1561,1608,1726,  
1731,2013,2015,2016 ..... Page 106

**I**

IN-LINE CONTACTOR (Figure 46)  
USED ON D135U-2645 TO D135U-3280 INCLUDING 3286,3304,  
3308,3319,3323,3324,3328,3340,3343,3348,3349,3363,3364 ..... Page 100

**TABLE OF CONTENTS**

<u>DESCRIPTION</u>	<u>PAGE</u>
<b>L</b>	
LABELS & PAINT (Figure 2) .....	Page 4
LIFT CYLINDER (Figure 14) .....	Page 32
LIFT CYLINDER (Figure 15) OPTIONAL: LAST USED ON S/N D135K-3805 .....	Page 33
LIFT/FORKS LINKAGE (Figure 11) .....	Page 26
LOAD BACKREST (Figure 17) .....	Page 36
<b>M</b>	
MASTER DRIVE UNIT (Figure 7) .....	Page 16
<b>P</b>	
PUBLICATIONS (Figure 1) .....	Page 1
<b>R</b>	
RESISTOR (Figure 28) STANDARD 12 VOLT: LAST USED ON D135U-3280 INCLUDING 3286,3304,3308, 3319,3323,3324,3328,3340,3343,3348,3349,3363,3364 .....	Page 66
RESISTOR/BOX (Figure 30) EE CLASSIFICATION .....	Page 70
<b>S</b>	
SCR CONTROL (Figure 39) USED ON D135K-4145 TO D135U-2644 .....	Page 90
STEADYREST (Figure 22) .....	Page 48
SUPERFRAME (Figure 16) .....	Page 34
<b>T</b>	
TRACTION MOTOR (Figure 10) W/B40-60XL: IDENTIFY BY PART NUMBER .....	Page 22

---

## TABLE OF CONTENTS

**DESCRIPTION** **PAGE**

---

**T (Continued)**

TRACTION MOTOR (Figure 8)  
W40-60XL: IDENTIFIED BY PART NUMBER ..... Page 18

TRACTION MOTOR (Figure 9)  
B40-60XL: IDENTIFIED BY PART NUMBER ..... Page 20

**W**

WHEEL/SUPPORT (Figure 12)  
SINGLE ..... Page 29

WHEEL/SUPPORT (Figure 13)  
TANDEM ..... Page 30

**Please Click Here To Download The Complete Manual**  
**Download Other Manuals**  
**If Having Any Questions Feel Free To Contact us**

**[admin@servicemanualbit.com](mailto:admin@servicemanualbit.com)**