

PARTS MANUAL

SPACESAVER

S30-40-50E

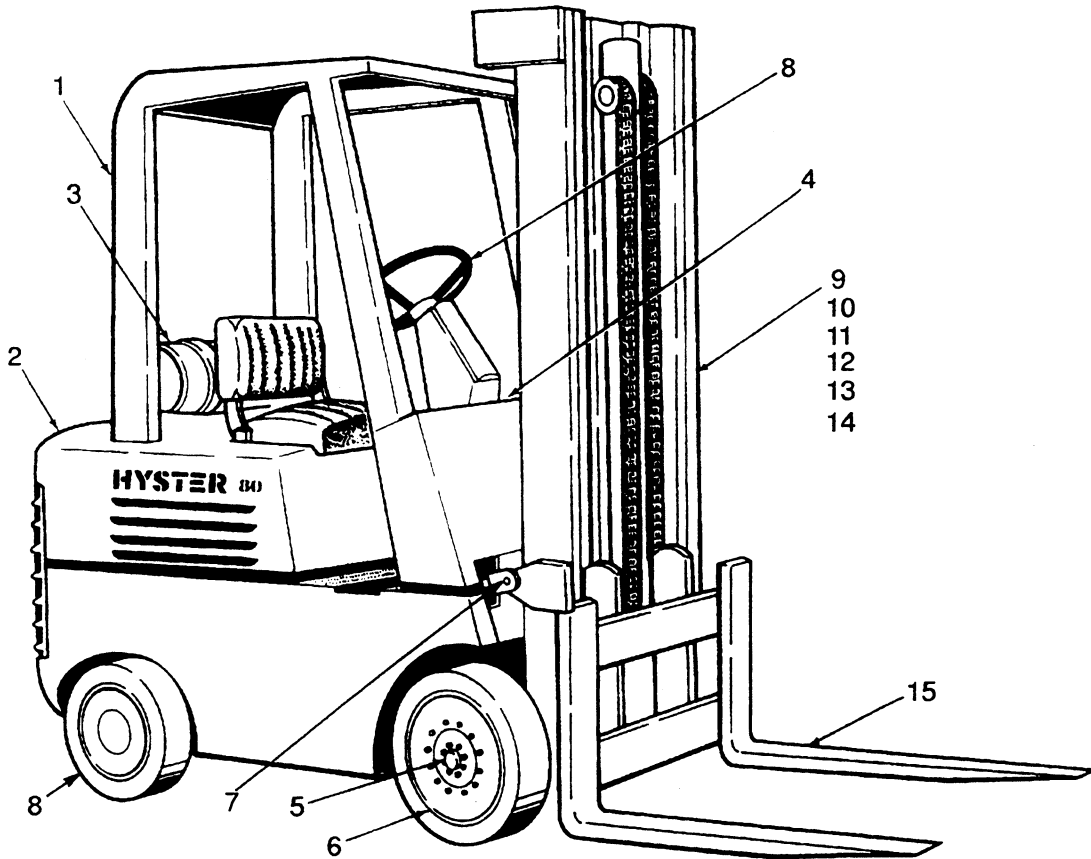
S60ES

(D002)

CUSTOMER EDITION

HYSTER

ILLUSTRATED CONTENTS



| REF | SECTION | PAGE |
|-----|-----------------------------------|----------|
| 1 | FRAME | Page 3 |
| 2 | ENGINE | Page 17 |
| 3 | FUEL | Page 53 |
| 4 | ELECTRICAL | Page 83 |
| 5 | BRAKES | Page 107 |
| 6 | TRANSMISSION | Page 121 |
| 7 | HYDRAULIC | Page 153 |
| 8 | STEERING AND LINKAGE | Page 177 |
| 9 | INTERMEDIATE FREE-LIFT MAST | Page 195 |
| 10 | FREE-LIFT MAST | Page 211 |
| 11 | THREE-STAGE MAST | Page 221 |
| 12 | FOUR-STAGE MAST | Page 255 |
| 13 | VISTA TWO-STAGE MAST | Page 265 |
| 14 | VISTA THREE-STAGE MAST | Page 279 |
| 15 | OPTIONAL EQUIPMENT | Page 297 |
| 16 | NUMERICAL INDEX | Page 349 |

TABLE OF CONTENTS

| <u>DESCRIPTION</u> | <u>PAGE</u> |
|---|-------------|
| A | |
| AIR FILTER | Page 78 |
| ALTERNATOR TYPES GS, LPS, DS | Page 98 |
| ALTERNATOR | Page 96 |
| B | |
| BRAKE LINKAGE OIL CLUTCH | Page 108 |
| BRAKE LINKAGE POWERSHIFT | Page 110 |
| BRAKES FIRST USED ON S/N D2D-10046 STANDARD TREAD, D2D-9927 WIDE TREAD, D2T-1827 (EXCEPT D2T-1834) STANDARD TREAD, D2T-1822 WIDE TREAD | Page 118 |
| BRAKES LAST USED ON S/N D2D-10045 STANDARD TREAD, D2D-9926 WIDE TREAD, D2T-1826 (INCLUDING D2T-1834) STANDARD TREAD, D2T-1821 WIDE TREAD | Page 116 |
| C | |
| CARBURETOR GASOLINE FIRST USED ON S/N D2D-9242 D2T-1752 | Page 68 |
| CARBURETOR GASOLINE LAST USED ON S/N D2D-1947 | Page 64 |
| CARBURETOR GASOLINE USED ON S/N D2D-1948 D2T-1501 THRU D2D-9241 D2T-1751 | Page 66 |
| CARBURETOR LPG | Page 62 |
| CARRIAGE FOUR-STAGE MAST | Page 264 |
| CARRIAGE FREE-LIFT MAST | Page 220 |
| CARRIAGE INTERMEDIATE FREE-LIFT MAST 181000, 184000, 257000, AND 266000 SERIES MASTS | Page 208 |

TABLE OF CONTENTS

| DESCRIPTION | PAGE |
|---|----------|
| C (Continued) | |
| CARRIAGE INTERMEDIATE FREE-LIFT MAST 280000 AND 282000 SERIES MASTS | Page 209 |
| CARRIAGE THREE-STAGE MAST 240000 SERIES MASTS | Page 252 |
| CARRIAGE THREE-STAGE MAST 282000 AND 322000 SERIES MASTS | Page 253 |
| CARRIAGE VISTA THREE-STAGE | Page 296 |
| CARRIAGE VISTA TWO-STAGE | Page 276 |
| CLUTCH LINKAGE FIRST USED ON S/N D2D-7791, D2T-1501 | Page 126 |
| CLUTCH LINKAGE LAST USED ON S/N D2D-7790 | Page 125 |
| CONTROL KNOBS | Page 347 |
| CONTROL VALVE LINKAGE | Page 160 |
| CONTROL VALVE FIRST USED ON S/N D2D-11239, D2T-1908 TWO FUNCTION, D2D-11373, D2T-1884 THREE FUNCTION, D2D-11034, D2T-1889 FOUR FUNCTION | Page 168 |
| CONTROL VALVE LAST USED ON S/N D2D-2996 TWO FUNCTION, D2D-2558 THREE FUNCTION, D2D-2593 FOUR FUNCTION | Page 162 |
| CONTROL VALVE POWERSHIFT FIRST USED ON TRANSMISSION S/N T15M-11424 HISPD, T30M-3128 LOSPD | Page 138 |
| CONTROL VALVE POWERSHIFT LAST USED ON TRANSMISSION S/N T15M-11423 HISPD, T30M-3127 LOSPD | Page 136 |
| CONTROL VALVE USED ON S/N D2D-2997 THRU D2D-7247 TWO FUNCTION, D2D-2559 THRU D2D-7131 THREE FUNCTION, D2D-2574 THRU D2D-7155 FOUR FUNCTION | Page 164 |
| CONTROL VALVE USED ON S/N D2D-7248 TWO FUNCTION, D2D-7132 THREE FUNCTION, D2D-7156 FOUR FUNCTION THRU D2D-11238, D2T-1907 TWO FUNCTION D2D-11372, D2T-1883 THREE FUNCTION, D2D-11033, D2T-1888 FOUR FUNCTION | Page 166 |

TABLE OF CONTENTS

| <u>DESCRIPTION</u> | <u>PAGE</u> |
|---|-------------|
| C (Continued) | |
| CONVERTER LPG | Page 72 |
| COOLING | Page 18 |
| CRANKSHAFT AND PISTONS DIESEL | Page 36 |
| CYLINDER HEAD AND MANIFOLD 4-153 GASOLINE AND LPG | Page 28 |
| CYLINDER HEAD COVER DIESEL | Page 40 |
| CYLINDER HEAD DIESEL | Page 38 |
| CYLINDER BLOCK AND CRANKCASE 4-153 GASOLINE AND LPG | Page 20 |
| CYLINDER BLOCK AND CRANKCASE 4-153 GASOLINE AND LPG | Page 24 |
| CYLINDER BLOCK DIESEL | Page 32 |
| D | |
| DIFFERENTIAL | Page 146 |
| DIPSTICK FIRST USED ON TRANSMISSION S/N T29M-3075 OC LOSPD, T14M-3396 OC HISPD, T30M-3248 PS LOSPD, T15M-12754 PS HISPD | Page 149 |
| DIPSTICK LAST USED ON TRANSMISSION S/N T29M-3074 OC LOSPD, T14M-3395 OC HISPD, T30M-3247 PS LOSPD, T15M-12753 PS HISPD | Page 148 |
| DISTRIBUTOR | Page 104 |
| DRIVE AXLE FIRST USED ON S/N D2D-10046 STANDARD TREAD, D2D-9927 WIDE TREAD, D2T-1827 EXCEPT D2T-1834 STANDARD TREAD, D2T-1822 WIDE TREAD | Page 144 |
| DRIVE AXLE LAST USED ON S/N D2D-10045 STANDARD TREAD, D2D-9926 WIDE TREAD, D2T-1826 AND D2T-1834 STANDARD TREAD, D2T-1821 WIDE TREAD | Page 142 |

TABLE OF CONTENTS

| <u>DESCRIPTION</u> | <u>PAGE</u> |
|---|-------------|
| D (Continued) | |
| DRIVE SHAFT | Page 31 |
| E | |
| ELECTRICAL DIESEL | Page 88 |
| ELECTRICAL GASOLINE AND LPG | Page 84 |
| ENGINE MOUNTS DIESEL | Page 48 |
| ENGINE MOUNTS GASOLINE AND LPG | Page 47 |
| EXHAUST | Page 50 |
| F | |
| FIRE EXTINGUISHER | Page 346 |
| FLOW DIVIDER | Page 175 |
| FLYWHEEL AND DRIVE-PUMP | Page 122 |
| FORK IDENTIFY BY PART NUMBER | Page 300 |
| FORK IDENTIFY BY PART NUMBER | Page 301 |
| FORWARD AND REVERSE LEVER POWERSHIFT | Page 150 |
| FRAME | Page 4 |
| FREE-LIFT THREE-STAGE MAST 240000 SERIES MASTS | Page 238 |
| FREE-LIFT THREE-STAGE MAST 282000 AND 322000 SERIES MASTS | Page 242 |
| FREE-LIFT VISTA THREE-STAGE | Page 288 |
| FUEL FILTER DIESEL | Page 73 |

TABLE OF CONTENTS

| DESCRIPTION | PAGE |
|--|----------|
| F (Continued) | |
| FUEL INJECTION DIESEL | Page 74 |
| FUEL PUMP DIESEL | Page 76 |
| FUEL DIESEL | Page 61 |
| FUEL GASOLINE | Page 54 |
| FUEL LPG FIRST USED ON S/N D2D-9242 D2T-1752 | Page 58 |
| FUEL LPG LAST USED ON S/N D2D-9241 D2T-1751 | Page 56 |
| H | |
| HAND PUMP FIRST USED ON S/N D2D-9491, D2T-1771 OC AND PS WITH MONOTROL, D2T-1779 WITH FORWARD/REVERSE LEVER | Page 188 |
| HAND PUMP LAST USED ON S/N D2D-5061 | Page 186 |
| HAND PUMP USED ON S/N D2D-5062 D2T-1501 THRU D2D-9490, D2T-1770 OC AND PS WITH MONOTROL, D2T-1778 PS WITH FORWARD/REVERSE LEVER | Page 187 |
| HEADER HOSE EXTERNAL INTERMEDIATE FREE-LIFT MAST | Page 328 |
| HEADER HOSE INTERNAL INTERMEDIATE FREE-LIFT MAST | Page 330 |
| HEADER HOSES VISTA THREE-STAGE MAST NON-TWINLINE FOUR FUNCTION CONTROL VALVE | Page 338 |
| HEADER HOSES VISTA THREE-STAGE MAST THREE FUNCTION CONTROL VALVE | Page 336 |
| HEADER HOSES VISTA THREE-STAGE TWINLINE FOUR FUNCTION CONTROL VALVE | Page 340 |

TABLE OF CONTENTS

| DESCRIPTION | PAGE |
|---|-------------|
| H (Continued) | |
| HEADER HOSES VISTA TWO-STAGE MAST 328000 SERIES | Page 332 |
| HEADER HOSES VISTA TWO-STAGE MAST 372000 SERIES | Page 334 |
| HEADER HOSES | Page 324 |
| HOOD | Page 10 |
| HYDRAULIC FILTER | Page 176 |
| HYDRAULIC PUMP FIRST USED ON S/N D2D-11175, D2T-1891 | Page 159 |
| HYDRAULIC PUMP LAST USED ON S/N D2D-11174, D2T-1890 | Page 158 |
| HYDRAULIC FIRST USED ON S/N D2D-7248 TWO FUNCTION, D2D-7132 THREE FUNCTION, D2D-7156 FOUR FUNCTION | Page 156 |
| HYDRAULIC LAST USED ON S/N D2D-7247 TWO FUNCTION, D2D-7131 THREE FUNCTION, D2D-7155 FOUR FUNCTION | Page 154 |
| I | |
| INLET MANIFOLD DIESEL | Page 46 |
| INNER AND NUMBER THREE MAST FOUR-STAGE | Page 258 |
| INNER MAST VISTA THREE-STAGE | Page 284 |
| INNER MAST VISTA TWO-STAGE | Page 268 |
| INSTRUMENT PANEL FIRST USED ON S/N D2D-6711 EXCEPT D2D-7412 PS LPG D2D-6722 PS DIESEL AND GASOLINE D2D-7244 PS LPS D2D-6813 PS DS/GS D2D-7791 OC | Page 94 |
| INSTRUMENT PANEL LAST USED ON S/N D2D-6710 AND D2D-7412 PS LPG D2D-6721 PS DIESEL AND GASOLINE D2D-7243 PS LPS D2D-6812 PS DS/GS D2D-7790 OC | Page 92 |

TABLE OF CONTENTS

| <u>DESCRIPTION</u> | <u>PAGE</u> |
|---|-------------|
| I (Continued) | |
| INTERMEDIATE MAST VISTA THREE-STAGE | Page 282 |
| L | |
| LOAD EXTENSION BACKREST VISTA MAST | Page 15 |
| LABELS AND PAINT | Page 12 |
| LIFT CYLINDER FOUR-STAGE MAST FREE-LIFT | Page 262 |
| LIFT CYLINDER FOUR-STAGE MAST MAIN | Page 260 |
| LIFT CYLINDER FREE-LIFT MAST | Page 218 |
| LIFT CYLINDER INTERMEDIATE FREE-LIFT MAST 181000, 184000, 257000, AND 266000 SERIES MASTS | Page 204 |
| LIFT CYLINDER INTERMEDIATE FREE-LIFT MAST 280000 AND 282000 SERIES MASTS | Page 206 |
| LIFT CYLINDER THREE-STAGE MAST S30-50E | Page 246 |
| LIFT CYLINDER THREE-STAGE MAST S60ES | Page 250 |
| LIFT CYLINDER VISTA THREE-STAGE FREE-LIFT | Page 294 |
| LIFT CYLINDER VISTA THREE-STAGE MAIN | Page 292 |
| LIFT CYLINDER VISTA TWO-STAGE | Page 274 |
| LIFT FREE-LIFT MAST | Page 216 |
| LIFT INTERMEDIATE FREE-LIFT MAST 181000, 184000, 257000, AND 266000 SERIES MASTS | Page 200 |

TABLE OF CONTENTS

| DESCRIPTION | PAGE |
|---|----------|
| L (Continued) | |
| LIFT INTERMEDIATE FREE-LIFT MAST 280000 AND 282000 SERIES MASTS | Page 202 |
| LIGHTS | Page 342 |
| LOAD EXTENSION BACKREST | Page 14 |
| LOCK-OFF FILTER FIRST USED ON S/N D2D-5438 | Page 71 |
| LOCK-OFF FILTER LAST USED ON S/N D2D-5437 | Page 70 |
| M | |
| MAIN LIFT THREE-STAGE MAST 282000 AND 322000 SERIES MASTS | Page 234 |
| MAIN LIFT THREE-STAGE 240000 SERIES MASTS | Page 230 |
| MAIN LIFT VISTA THREE-STAGE | Page 286 |
| MAIN LIFT VISTA TWO-STAGE | Page 270 |
| MASTER CYLINDER | Page 115 |
| MAST FREE-LIFT | Page 212 |
| MAST INTERMEDIATE FREE-LIFT 181000, 184000, 257000, AND 266000 SERIES MASTS | Page 196 |
| MAST INTERMEDIATE FREE-LIFT 280000 AND 282000 SERIES MASTS | Page 198 |
| MAST THREE-STAGE 240000 SERIES MASTS | Page 222 |
| MAST THREE-STAGE 282000 AND 322000 SERIES MASTS | Page 226 |

TABLE OF CONTENTS

| DESCRIPTION | PAGE |
|---|----------|
| M (Continued) | |
| MONOTROL PEDAL POWERSHIFT | Page 152 |
| O | |
| OIL CLUTCH | Page 124 |
| OIL PAN DIESEL | Page 44 |
| OIL PUMP GASOLINE | Page 30 |
| OUTER MAST VISTA THREE-STAGE | Page 280 |
| OUTER MAST VISTA TWO-STAGE | Page 266 |
| OVERHEAD EXHAUST | Page 52 |
| OVERHEAD GUARD RETRACTABLE | Page 345 |
| OUTER AND NUMBER TWO MAST FOUR-STAGE | Page 256 |
| P | |
| PARK BRAKE LINKAGE FIRST USED ON S/N D2D-10046 STANDARD TREAD, D2D-9927 WIDE TREAD, D2T-1827 (EXCEPT D2T-1834) STANDARD TREAD, D2T-1822 WIDE TREAD | Page 114 |
| PARK BRAKE LINKAGE LAST USED ON S/N D2D-10045 STANDARD TREAD, D2D-9926 WIDE TREAD, (INCLUDING D2T-1834) STANDARD TREAD, D2T-1821 WIDE TREAD | Page 112 |
| PHASE VALVE THREE-STAGE MAST | Page 233 |
| PUBLICATIONS | Page 2 |
| S | |
| SEAT WITH SEAT RESTRAINT FIRST USED ON S/N D2D-13605 | Page 8 |

TABLE OF CONTENTS

| <u>DESCRIPTION</u> | <u>PAGE</u> |
|--|-------------|
| S (Continued) | |
| SEAT WITHOUT SEAT RESTRAINT LAST USED ON S/N D2D-13604 | Page 6 |
| SHIFT LINKAGE OIL CLUTCH | Page 132 |
| SIDESHIFT CARRIAGE FREE-LIFT | Page 306 |
| SIDESHIFT CARRIAGE FREE-LIFT | Page 308 |
| SIDESHIFT CARRIAGE INTERMEDIATE FREE-LIFT MAST | Page 302 |
| SIDESHIFT CARRIAGE INTERMEDIATE FREE-LIFT | Page 304 |
| SIDESHIFT CARRIAGE THREE-STAGE MAST | Page 310 |
| SIDESHIFT CARRIAGE VISTA THREE-STAGE 328000 SERIES MAST | Page 316 |
| SIDESHIFT CARRIAGE VISTA THREE-STAGE 372000 SERIES MAST | Page 318 |
| SIDESHIFT CARRIAGE VISTA TWO-STAGE 328000 SERIES MAST | Page 312 |
| SIDESHIFT CARRIAGE VISTA TWO-STAGE 372000 SERIES MAST | Page 314 |
| SIDESHIFT CYLINDER FREE-LIFT AND INTERMEDIATE FREE-LIFT MAST VISTA TWO-STAGE AND VISTA THREE-STAGE 372000 SERIES MAST | Page 322 |
| SIDESHIFT CYLINDER VISTA MAST | Page 321 |
| SIDESHIFT CYLINDER | Page 320 |
| STARTER DIESEL | Page 102 |
| STARTER GASOLINE AND LPG | Page 100 |

TABLE OF CONTENTS

| <u>DESCRIPTION</u> | <u>PAGE</u> |
|--|-------------|
| S (Continued) | |
| STEERING AXLE | Page 192 |
| STEERING CONTROL FIRST USED ON S/N D2D-9491, D2T-1771 OC AND PS WITH MONOTROL, D2T-1779 WITH FORWARD/REVERSE LEVER | Page 184 |
| STEERING CONTROL LAST USED ON S/N D2D-9490, D2T-1770 OC AND PS WITH MONOTROL, D2T-1778 PS WITH FORWARD/REVERSE LEVER | Page 182 |
| STEERING CYLINDER | Page 194 |
| STEERING PUMP FIRST USED ON S/N D2D-11178 D2T-1887 | Page 191 |
| STEERING PUMP LAST USED ON S/N D2D-6499 | Page 189 |
| STEERING PUMP USED ON S/N D2D-6500, D2T-1501 THRU S/N D2D-11177, D2T-1886 | Page 190 |
| STEERING FIRST USED ON TRANSMISSION S/N T29M-3063 OC LOSPD, T14M-3289 OC HISPD, T30M-3175 PS LOSPD, T15M-11615 PS HISPD | Page 180 |
| STEERING LAST USED ON TRANSMISSION S/N T29M-3062 OC LOSPD, T14M-3288 OC HISPD, T30M-3174 PS LOSPD, T15M-11614 PS HISPD | Page 178 |
| T | |
| THROTTLE LINKAGE TYPE GS | Page 82 |
| THROTTLE LINKAGE | Page 80 |
| TILT CYLINDER FIRST USED ON S/N D2D-10631, D2T-1853 | Page 172 |
| TILT CYLINDER LAST USED ON S/N D2D-10630, D2T-1852 | Page 170 |
| TIMING GEARS DIESEL | Page 42 |
| TIRE AND WHEELS | Page 344 |

TABLE OF CONTENTS

DESCRIPTION **PAGE**

T (Continued)

TRANSMISSION GEARS
OIL CLUTCH Page 130

TRANSMISSION GEARS
POWERSHIFT Page 140

TRANSMISSION HOUSING
OIL CLUTCH Page 128

TRANSMISSION HOUSING
POWERSHIFT Page 134

W

WATER PUMP
DIESEL Page 34

Please Click Here To Download The Complete Manual
Download Other Manuals
If Having Any Questions Feel Free To Contact us

admin@servicemanualbit.com