

PARTS MANUAL

SPACESAVER

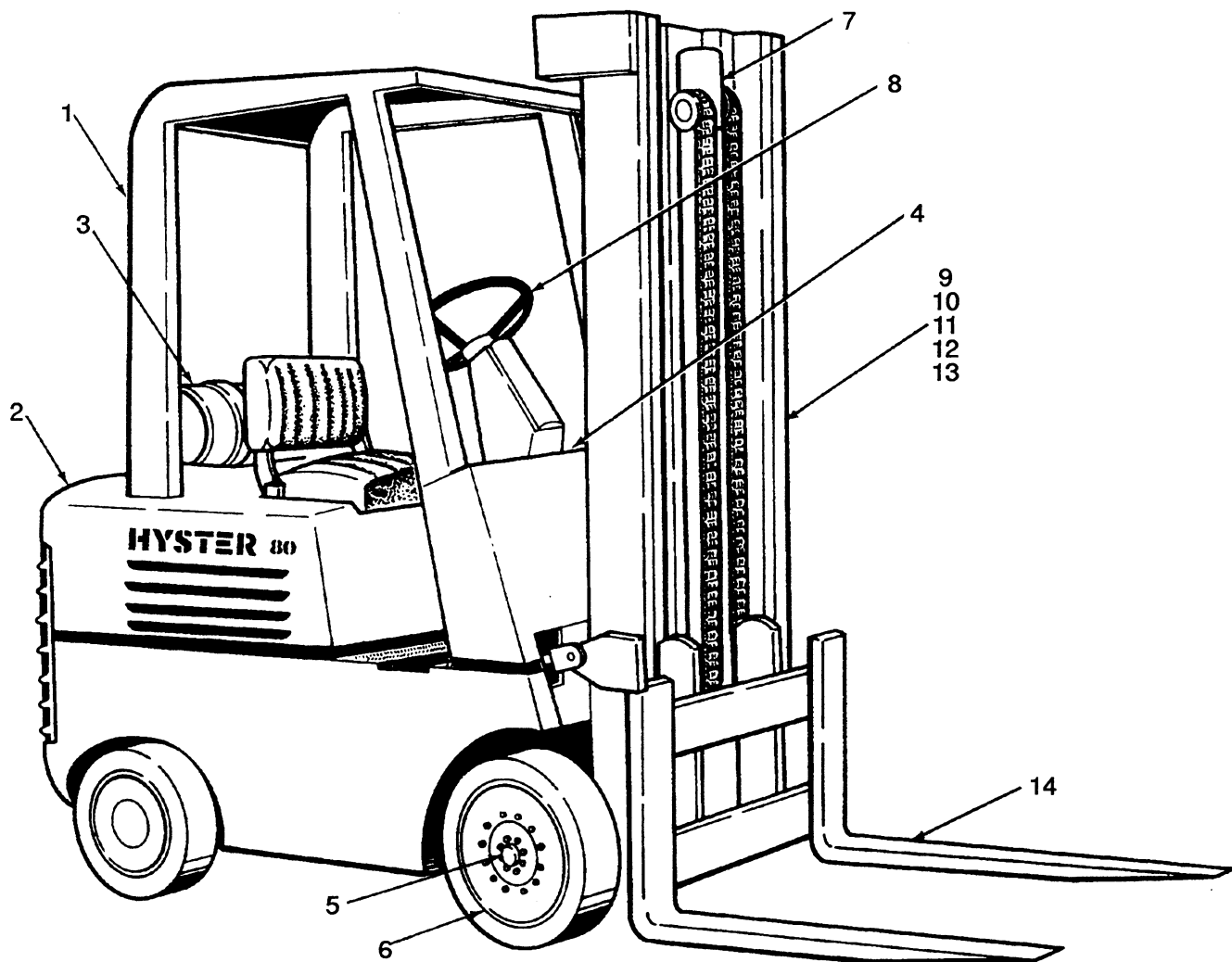
**S60-70-80-100-120E
(S3.00-3.50-4.00-5.00-5.50E)**

(C004)

CUSTOMER EDITION

HYSTER

ILLUSTRATED CONTENTS



1	FRAME	Page 3
2	ENGINE	Page 19
3	FUEL SYSTEM	Page 65
4	ELECTRICAL SYSTEM	Page 105
5	TRANSMISSION	Page 131
6	BRAKE SYSTEM	Page 167
7	STEERING	Page 177
8	HYDRAULIC SYSTEM	Page 195
9	INTERMEDIATE FREE-LIFT MAST	Page 215
10	FREE-LIFT MAST	Page 225
11	THREE-STAGE MAST	Page 237
12	VISTA TWO-STAGE MAST	Page 259
13	VISTA THREE-STAGE MAST	Page 269
14	OPTIONAL EQUIPMENT	Page 293
15	NUMERICAL INDEX	Page 333

TABLE OF CONTENTS

<u>DESCRIPTION</u>	<u>PAGE</u>
A	
ACCUMULATOR (Figure 79) S100E (S5.00E) LAST USED ON S/N C4D-7973 AND S120E (S5.50E)	Page 162
AIR FILTER (Figure 50)	Page 98
ALTERNATOR (Figure 59) LAST USED ON S/N C4D-2783 GASOLINE & LPG, C4D-2851 DIESEL, C4T-1549	Page 122
ALTERNATOR (Figure 60) FIRST USED ON S/N C4D-2784 GASOLINE & LPG, C4D-2852 DIESEL, C4T-1550	Page 124
ATTACHMENT CARRIAGE (Figure 147) VISTA HOOK TYPE S100E (S5.00E)	Page 300
ATTACHMENT CARRIAGE (Figure 148) HOOK TYPE S100E (S5.00E)	Page 302
B	
BLOCK FORKS (Figure 145) 48 INCH CARRIAGE	Page 297
BLOCK FORKS (Figure 146) 62 INCH CARRIAGE	Page 298
BRAKE (Figure 86)	Page 174
BRAKE LINKAGE (Figure 83) OIL CLUTCH	Page 168
BRAKE LINKAGE (Figure 84) POWERSHIFT	Page 170
C	
CARBURETOR (Figure 38) LPG LAST USED ON S/N C4D-5209 & C4T-1859	Page 78
CARBURETOR (Figure 39) LPG FIRST USED ON S/N C4D-5210 & C4T-1860	Page 80
CARBURETOR (Figure 41) GASOLINE LAST USED ON S/N C4D-1683	Page 84

TABLE OF CONTENTS

<u>DESCRIPTION</u>	<u>PAGE</u>
C (Continued)	
CARBURETOR (Figure 42) GASOLINE USED ON S/N C4D-1684 TO C4D-5209, C4T-1501 TO C4T-1859 ...	Page 86
CARBURETOR (Figure 43) GASOLINE FIRST USED ON S/N C4D-5210 & C4T-1860	Page 88
CARRIAGE (Figure 116) INTERMEDIATE FREE-LIFT	Page 224
CARRIAGE (Figure 120) FREE-LIFT	Page 235
CARRIAGE (Figure 127) THREE-STAGE	Page 258
CARRIAGE (Figure 132) HOOK TYPE VISTA TWO-STAGE	Page 268
CARRIAGE (Figure 141) HOOK TYPE VISTA THREE-STAGE	Page 290
CLUTCH (Figure 65) OIL CLUTCH	Page 136
CLUTCH LINKAGE (Figure 81) LAST USED ON S/N C4D-4352 & C4T-1732	Page 164
CLUTCH LINKAGE (Figure 82) FIRST USED ON S/N C4D-4353 & C4T-1733	Page 165
CONTROL KNOBS (Figure 164)	Page 332
CONTROL VALVE (Figure 103) LAST USED ON S/N C4D-3271	Page 202
CONTROL VALVE (Figure 104) USED ON S/N C4D-3272 TO C4D-6255 TWO FUNCTION, C4D-3272 TO C4D-6148 THREE FUNCTION, C4D-3272 TO C4D-6027 FOUR FUNCITON; C4T-1501 TO C4T-1596	Page 204
CONTROL VALVE (Figure 105) FIRST USED ON S/N C4D-6256 TWO FUNCTION, C4D-6149 THREE FUNCTION, C4D-6028 FOUR FUNCITON; C4T-1597	Page 206

TABLE OF CONTENTS

<u>DESCRIPTION</u>	<u>PAGE</u>
C (Continued)	
CONTROL VALVE LINKAGE (Figure 102)	Page 200
COOLING (Figure 10)	Page 20
COUNTERWEIGHT (Figure 6)	Page 12
CRANKSHAFT & PISTONS (Figure 23) DIESEL	Page 48
CYLINDER HEAD COVER (Figure 22) DIESEL	Page 46
CYLINDER HEAD (Figure 16) GASOLINE & LPG	Page 34
CYLINDER HEAD (Figure 20) DIESEL	Page 42
CYLINDER BLOCK (Figure 13) GASOLINE & LPG	Page 26
CYLINDER BLOCK (Figure 14) GASOLINE & LPG	Page 28
CYLINDER BLOCK (Figure 15) GASOLINE & LPG	Page 30
CYLINDER BLOCK (Figure 19) DIESEL	Page 40
D	
DIFFERENTIAL (Figure 72)	Page 150
DIPSTICK (Figure 76) LAST USED ON XMSN S/N T29M-3062 OC LO-SPD, T14M-3288 OC HI-SPD, T30M-3174 PS LO-SPD, T15M-11614 PS HI-SPD	Page 158
DIPSTICK (Figure 77) FIRST USED ON XMSN S/N T29M-3063 OC LO-SPD, T14M-3289 OC HI-SPD, T30M-3175 PS LO-SPD, T15M-11615 PS HI-SPD	Page 159
DISTRIBUTOR (Figure 61) 1976 & 1977 ENGINES	Page 126
DISTRIBUTOR (Figure 62) 1978 TO 1986 ENGINES	Page 128

TABLE OF CONTENTS

<u>DESCRIPTION</u>	<u>PAGE</u>
D (Continued)	
DRIVE AXLE (Figure 75)	Page 156
DRIVE SHAFT (Figure 12) COOLING	Page 24
E	
ELECTRICAL (Figure 53) GASOLINE AND LPG	Page 106
ELECTRICAL (Figure 54) DIESEL	Page 110
ENGINE MOUNT (Figure 17) GASOLINE & LPG	Page 37
ENGINE MOUNT (Figure 26) DIESEL	Page 54
EXHAUST (Figure 29)	Page 58
F	
FAN DRIVE (Figure 11)	Page 22
FIRE EXTINGUISHER (Figure 162)	Page 328
FLOW DIVIDER (Figure 111)	Page 213
FLYWHEEL & PUMP DRIVE (Figure 63) LAST USED ON S/N C4D-5278 GASOLINE, C4T-1868	Page 132
FLYWHEEL & PUMP DRIVE (Figure 64) FIRST USED ON S/N C4D-5279 GASOLINE, C4T-1869	Page 134
FORKS (Figure 142) HOOK TYPE	Page 294
FORKS (Figure 143) HOOK TYPE	Page 295
FORKS (Figure 144) PIN TYPE	Page 296
FORWARD/REVERSE LEVER (Figure 78) POWERSHIFT	Page 160

TABLE OF CONTENTS

<u>DESCRIPTION</u>	<u>PAGE</u>
F (Continued)	
FRAME (Figure 2)	Page 4
FREE-LIFT CYLINDER (Figure 140) VISTA THREE-STAGE	Page 288
FREE-LIFT (Figure 137) 327000 SERIES VISTA THREE-STAGE	Page 278
FREE-LIFT (Figure 138) 377000 AND 386000 SERIES VISTA THREE-STAGE	Page 282
FUEL (Figure 44) DIESEL	Page 90
FUEL FILTER (Figure 46) DIESEL	Page 92
FUEL INJECTION (Figure 49) DIESEL	Page 96
FUEL SYSTEM (Figure 40) GASOLINE	Page 82
H	
HAND PUMP (Figure 94) LAST USED ON S/N C4D-3157 & C4T-1561	Page 189
HAND PUMP (Figure 95) USED ON S/N C4D-3158 TO C4D-5453, C4T-1562 TO C4T-1863 ...	Page 190
HAND PUMP (Figure 96) FIRST USED ON S/N C4D-5354 & C4T-1864	Page 191
HEADER HOSES (Figure 157) INTERMEDIATE FREE-LIFT MASTS	Page 318
HEADER HOSES (Figure 158) FREE-LIFT AND THREE-STAGE MASTS	Page 320
HEADER HOSES (Figure 159) VISTA TWO-STAGE MASTS	Page 322
HEADER HOSES (Figure 160) VISTA THREE-STAGE MASTS	Page 324

TABLE OF CONTENTS

<u>DESCRIPTION</u>	<u>PAGE</u>
H (Continued)	
HOOD (Figure 3)	Page 6
HYDRAULIC (Figure 100) LAST USED ON S/N C4D-6255 TWO FUNCTION, C4D-6148 THREE FUNCTION, C4D-6027 FOUR FUNCTION	Page 196
HYDRAULIC (Figure 101) FIRST USED ON S/N C4D-6256 TWO FUNCTION, C4D-6149 THREE FUNCTION, C4D-6028 FOUR FUNCTION	Page 198
HYDRAULIC FILTER (Figure 110)	Page 212
HYDRAULIC PUMP (Figure 106) LAST USED ON S/N C4D-6255 EXCEPT C4D-6083 AND C4D-6093 .	Page 208
HYDRAULIC PUMP (Figure 107) FIRST USED ON S/N C4D-6256 ALSO C4D-6083 AND C4D-6093, C4T-1968 TWO FUNCTION, C4T-1956 THREE FUNCTION, C4T-1948 FOUR FUNCTION	Page 209
I	
INLET MANIFOLD (Figure 21) DIESEL	Page 44
INNER MAST (Figure 129) VISTA TWO-STAGE	Page 262
INNER MAST (Figure 135) VISTA THREE-STAGE	Page 274
INSTRUMENT PANEL (Figure 56) FIRST USED ON S/N C4D-3871 PS, LPG C4D-3912 PS TYPES G & D, C4D-4087 PS TYPE LPS, C4D-3914 PS TYPES GS & DS, C4D-4353 OC, C4T-1629 PS, C4T-1746 OC	Page 116
INSTRUMENT PANEL (Figure 55) LAST USED ON S/N C4D-3870 PS LPG, C4D-3911 PS TYPES G & D, C4D-4086 PS TYPE LPS, C4D-3913 PS TYPES GS & DS, C4D-4352 OC, C4T-1628 PS, C4T-1745 OC	Page 114
INTERMEDIATE MAST (Figure 134) VISTA THREE-STAGE	Page 272
L	
LABELS & PAINT (Figure 8)	Page 16
LIFT CYLINDER (Figure 115) INTERMEDIATE FREE-LIFT	Page 222

TABLE OF CONTENTS

<u>DESCRIPTION</u>	<u>PAGE</u>
L (Continued)	
LIFT CYLINDER (Figure 119) FREE-LIFT	Page 232
LIFT CYLINDER (Figure 125) S60-80E (S3.00-4.00E) THREE-STAGE	Page 254
LIFT CYLINDER (Figure 131) VISTA TWO-STAGE	Page 266
LIFT CYLINDER (Figure 126) S100-120E (S5.00-5.50E) THREE-STAGE	Page 256
LIFT (Figure 114) INTERMEDIATE FREE-LIFT	Page 220
LIFT (Figure 118) FREE-LIFT	Page 230
LIFT (Figure 123) 194000 AND 225000 SERIES MASTS THREE-STAGE	Page 246
LIFT (Figure 124) 283000 AND 321000 SERIES MAST THREE-STAGE	Page 250
LIFT (Figure 130) VISTA TWO-STAGE	Page 264
LIFT PUMP (Figure 48) DIESEL	Page 95
LIGHTS (Figure 161)	Page 326
LOAD BACKREST EXTENSION (Figure 9)	Page 18
LOCK-OFF FILTER (Figure 34) LPG LAST USED ON S/N C4D-3363 & C4T-1552	Page 72
LOCK-OFF FILTER (Figure 35) LPG FIRST USED ON S/N C4D-3364 & C4T-1553	Page 73
LOW PRESSURE FUEL (Figure 45) DIESEL	Page 91

TABLE OF CONTENTS

<u>DESCRIPTION</u>	<u>PAGE</u>
L (Continued)	
LPG CONVERTER (Figure 36)	Page 74
LPG FUEL SYSTEM (Figure 31) LAST USED ON S/N C4D-5209 & C4T-1859	Page 66
LPG FUEL SYSTEM (Figure 32) USED ON S/N C4D-5210 THRU C4D-6842, C4T-1860 TO C4T-2007	Page 68
LPG FUEL SYSTEM (Figure 33) FIRST USED ON S/N C4D-6843 & C4T-2008	Page 70
LPG FUEL TANK (Figure 37)	Page 76
M	
MAIN LIFT CYLINDER (Figure 139) VISTA THREE-STAGE	Page 286
MAIN LIFT (Figure 136) VISTA THREE-STAGE	Page 276
MAST (Figure 112) INTERMEDIATE FREE-LIFT 191000 AND 228000 SERIES MASTS	Page 216
MAST (Figure 113) INTERMEDIATE FREE-LIFT 283000 AND 321000 SERIES MASTS	Page 218
MAST (Figure 117) FREE-LIFT	Page 226
MAST (Figure 121) 194000 AND 225000 SERIES MASTS THREE-STAGE	Page 238
MAST (Figure 122) 283000 AND 321000 SERIES MASTS THREE-STAGE	Page 242
MASTER CYLINDER (Figure 87)	Page 176
MONOTROL PEDAL (Figure 80)	Page 163

TABLE OF CONTENTS

<u>DESCRIPTION</u>	<u>PAGE</u>
O	
OIL PAN (Figure 25) DIESEL	Page 52
OIL PUMP (Figure 18) GASOLINE & LPG	Page 38
OUTER MAST (Figure 128) VISTA TWO-STAGE	Page 260
OUTER MAST (Figure 133) VISTA THREE-STAGE	Page 270
OVERHEAD GUARD (Figure 7)	Page 14
OVERHEAD MUFFLER (Figure 30) GASOLINE, LPG AND BOXCAR SPECIAL	Page 62
P	
PARK BRAKE LINKAGE (Figure 85)	Page 172
PRE-FILTER (Figure 47) DIESEL	Page 94
PUBLICATIONS (Figure 1)	Page 1
S	
SEAT (Figure 4) LAST USED ON S/N C4D-8611	Page 8
SEAT (Figure 5) FIRST USED ON S/N C4D-8612	Page 10
SHIFT LINKAGE (Figure 66) OIL CLUTCH	Page 138
SIDESHIFT CARRIAGE (Figure 149) INTERMEDIATE FREE-LIFT, FREE-LIFT AND THREE-STAGE MASTS S60-80E (S3.00-4.00E)	Page 304
SIDESHIFT CARRIAGE (Figure 150) VISTA TWO-STAGE MAST S60-80E (S3.00-4.00E)	Page 306
SIDESHIFT CARRIAGE (Figure 151) VISTA THREE-STAGE MAST S60-80E (3.00-4.00E)	Page 308

TABLE OF CONTENTS

<u>DESCRIPTION</u>	<u>PAGE</u>
S (Continued)	
SIDESHIFT CARRIAGE (Figure 152) HOOK TYPE FREE-LIFT MAST S60-80E (S3.00-4.00E) AND S100E (S5.00E) WITH ATTACHMENT ..	Page 310
SIDESHIFT CARRIAGE (Figure 153) HOOK TYPE INTERMEDIATE FREE-LIFT MAST S60-80E (S3.00-4.00E) AND S100E (S5.00E) WITH ATTACHMENT ..	Page 312
SIDESHIFT CYLINDER (Figure 154) INTERMEDIATE FREE-LIFT, FREE-LIFT AND THREE-STAGES MASTS	Page 314
SIDESHIFT CYLINDER (Figure 155) VISTA MASTS	Page 315
SIDESHIFT CYLINDER (Figure 156) HOOK TYPE VISTA MASTS	Page 316
STARTER (Figure 57) GASOLINE & LPG	Page 118
STARTER (Figure 58) DIESEL	Page 120
STEERING AXLE (Figure 90)	Page 182
STEERING CONTROL (Figure 92) LAST USED ON S/N C4D-5353 & C4T-1863	Page 185
STEERING CONTROL (Figure 93) FIRST USED ON S/N C4D-5354 & C4T-1864	Page 187
STEERING CYLINDER (Figure 91)	Page 184
STEERING (Figure 88) LAST USED ON TRANSMISSION S/N T29M-3062 OC LO-SPD, T14M-3288 OC HI-SPD, T30M-3174 PS LO-SPD, T15M-11614 PS HI-SPD	Page 178
STEERING (Figure 89) FIRST USED ON TRANSMISSION S/N T29M-3063 OC LO-SPD, T14M-3289 OC HI-SPD, T30M-3175 PS LO-SPD, T15M-11615 PS HI-SPD	Page 180
STEERING PUMP (Figure 97) LAST USED ON S/N C4D-3757 & C4T-1629	Page 192

TABLE OF CONTENTS

<u>DESCRIPTION</u>	<u>PAGE</u>
S (Continued)	
STEERING PUMP (Figure 98) USED ON S/N C4D-3758 TO C4D-6335, C4T-1630 TO C4T-1947 ...	Page 193
STEERING PUMP (Figure 99) FIRST USED ON S/N C4D-6336, C4T-1948	Page 194
T	
THROTTLE LINKAGE (Figure 51) TYPE GS	Page 100
THROTTLE LINKAGE (Figure 52)	Page 102
TILT CYLINDER (Figure 108) LAST USED ON S/N C4D-5936	Page 210
TILT CYLINDER (Figure 109) FIRST USED ON S/N C4D-5937	Page 211
TIMING GEAR (Figure 24) DIESEL	Page 50
TIRE/WHEEL (Figure 163)	Page 330
TRANSMISSION CONTROL VALVE (Figure 73) POWERSHIFT: LAST USED ON XMSN S/N T15M-11423 HI-SPD, T30M-3127 LO-SPD	Page 152
TRANSMISSION CONTROL VALVE (Figure 74) POWERSHIFT: FIRST USED ON TRANSMISSION S/N T15M-11424 HI-SPD, T30M-3128 LO-SPD	Page 154
TRANSMISSION GEARS (Figure 68) OIL CLUTCH	Page 142
TRANSMISSION GEARS (Figure 71) POWERSHIFT	Page 148
TRANSMISSION HOUSING (Figure 67) OIL CLUTCH	Page 140
TRANSMISSION HOUSING (Figure 69) POWERSHIFT: LAST USED ON S/N C4D-7973	Page 144
TRANSMISSION HOUSING (Figure 70) POWERSHIFT: FIRST USED ON S/N C4D-7974	Page 146

TABLE OF CONTENTS

<u>DESCRIPTION</u>	<u>PAGE</u>
W	
WATER PUMP (Figure 27) DIESEL: LAST USED ON ENGINE S/N U000678M	Page 55
WATER PUMP (Figure 28) DIESEL: FIRST USED ON ENGINE S/N U000679M	Page 56

Please Click Here To Download The Complete Manual
Download Other Manuals
If Having Any Questions Feel Free To Contact us

admin@servicemanualbit.com