

PARTS MANUAL

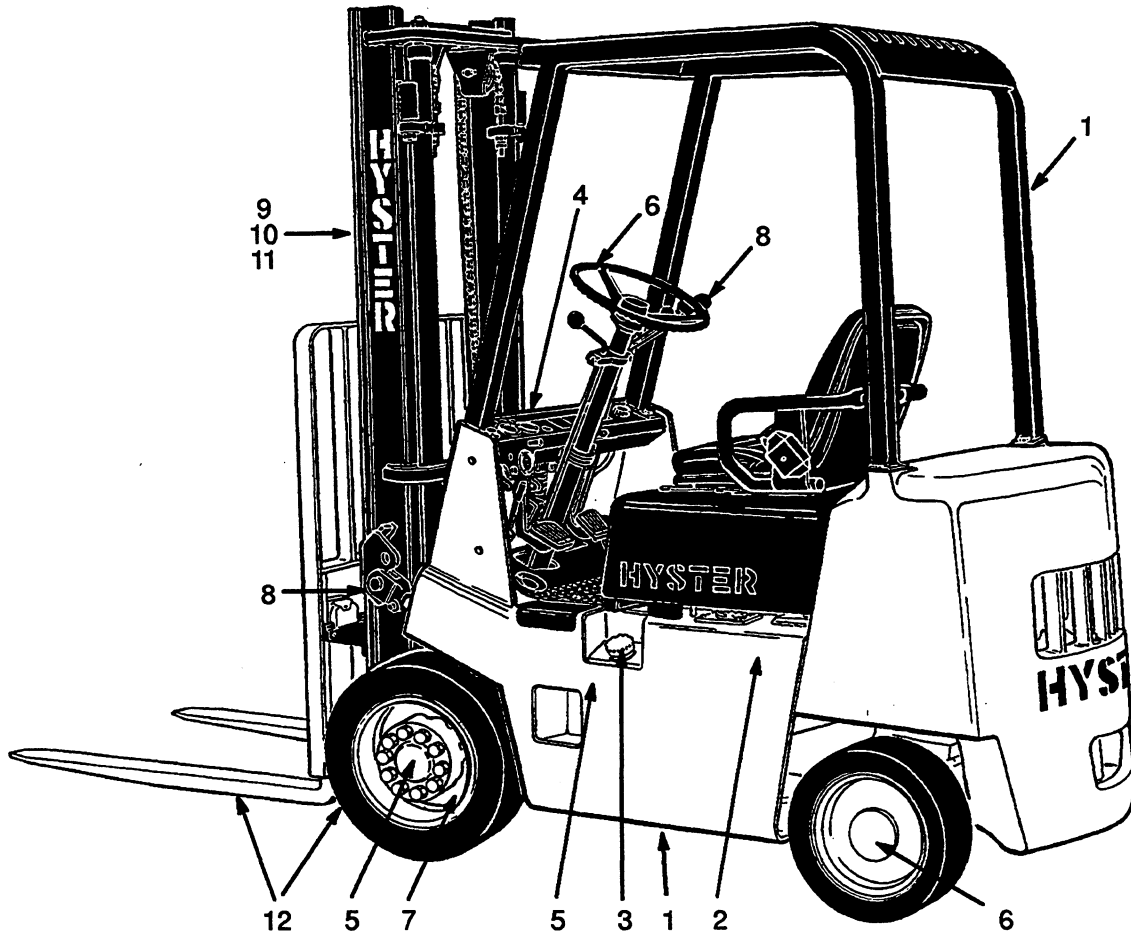
**SPACESAVER
S25-30-35XL
(S1.25-1.50-1.75XL)**

(B010)

CUSTOMER EDITION

HYSTER

INDEX-ILLUSTRATED



REF	SECTION	PAGE
1	Frame And Body	4
2	Engine	15
3	Fuel	49
4	Electrical	71
5	Transmission	95
6	Steering	123
7	Brake	131
8	Hydraulic	141
9	Mast-Vista Two-Stage LFL	163
10	Mast-Vista Three Stage FFL	173
11	Mast-Two Stage FFL	187
12	Optional	199
13	Numerical Index	221

TABLE OF CONTENTS

<u>DESCRIPTION</u>	<u>PAGE NO.</u>
A	
AIR FILTER (Figure 38)	Page 60
ALTERNATOR (Figure 61) TYPES GS, LPS & DS FIRST USED ON S/N B10B-5355	Page 92
ALTERNATOR (Figure 57) GASOLINE LPG LAST USED ON S/N B10B-6497 (GAS) LAST USED ON S/N B10B-6413 (LPG)	Page 87
ALTERNATOR (Figure 58) GASOLINE LPG FIRST USED ON S/N B10B-6498 (GAS) FIRST USED ON S/N B10B-6414 (LPG)	Page 88
ALTERNATOR (Figure 59) DIESEL	Page 89
ALTERNATOR (Figure 60) TYPES GS, LPS & DS LAST USED ON S/N B10B-5354	Page 90
B	
BACKUP ALARM (Figure 135)	Page 220
BRAKE (Figure 84)	Page 136
BRAKE LINKAGE (Figure 82)	Page 132
C	
CAMSHAFT & VALVES (Figure 18) DIESEL	Page 30
CAMSHAFT & VALVES (Figure 27) GASOLINE LPG	Page 41
CARBURETOR (Figure 35) GASOLINE	Page 56

TABLE OF CONTENTS

DESCRIPTION	PAGE NO.
C (CONTINUED)	
CARBURETOR (Figure 33) LPG	Page 52
CARRIAGE (Figure 103)	Page 171
CARRIAGE (Figure 111)	Page 186
CARRIAGE (Figure 118)	Page 198
COOLING (Figure 13)	Page 20
COUNTERWEIGHT (Figure 9)	Page 15
CRANKCASE & OIL PAN (Figure 16) DIESEL	Page 26
CRANKCASE & OIL PAN (Figure 28) GASOLINE LPG	Page 42
CRANKSHAFT, PISTON & FLYWHEEL (Figure 26) GASOLINE LPG	Page 38
CRANKSHAFT, PISTON & FLYWHEEL (Figure 17) DIESEL	Page 28
CYLINDER BLOCK (Figure 14) DIESEL	Page 22
CYLINDER BLOCK (Figure 24) GASOLINE LPG	Page 36
CYLINDER HEAD (Figure 15) DIESEL	Page 24
CYLINDER HEAD (Figure 25) GASOLINE LPG	Page 37

TABLE OF CONTENTS

<u>DESCRIPTION</u>	<u>PAGE NO.</u>
D	
DIFFERENTIAL (Figure 69) LAST USED ON S/N B10B-3065	Page 108
DIFFERENTIAL (Figure 70) FIRST USED ON S/N B10B-3066	Page 110
DISTRIBUTOR (Figure 54)	Page 84
DRIVE AXLE (Figure 71) LAST USED ON S/N B10B-3065	Page 112
DRIVE AXLE (Figure 72) FIRST USED ON S/N B10B-3066	Page 114
DRIVE TIRE & WHEEL (Figure 132)	Page 217
E	
ELECTRICAL (Figure 48) GASOLINE LPG	Page 72
ELECTRICAL (Figure 49) DIESEL	Page 74
ELECTRICAL (Figure 50) TYPES GS AND LPS	Page 76
ELECTRICAL (Figure 51) TYPE DS	Page 78
ENGINE MOUNT (Figure 11)	Page 17
EXHAUST (Figure 12)	Page 18
F	
FIRE EXTINGUISHER (Figure 133)	Page 217
FLOOR COWL & PLATES (Figure 4)	Page 8
FORK (Figure 134) IDENTIFICATION BY PART NUMBER	Page 218

TABLE OF CONTENTS

<u>DESCRIPTION</u>	<u>PAGE NO.</u>
F (CONTINUED)	
FORWARD & REVERSE CLUTCH (Figure 67) LAST USED ON S/N B10B-3065	Page 104
FORWARD & REVERSE CLUTCH (Figure 68) FIRST USED ON S/N B10B-3066	Page 106
FORWARD & REVERSE LINKAGE (Figure 62)	Page 96
FORWARD & REVERSE SWITCH (Figure 63)	Page 97
FREE LIFT (Figure 108)	Page 182
FREE LIFT CYLINDER (Figure 110)	Page 185
FREE LIFT CYLINDER (Figure 117)	Page 197
FREE LIFT (Figure 115)	Page 194
FUEL (Figure 32) LPG	Page 50
FUEL (Figure 34)	Page 54
FUEL FILTER (Figure 40) DIESEL	Page 64
FUEL INJECTION (Figure 39) DIESEL	Page 62
FUEL PUMP (Figure 37) GASOLINE	Page 59
G	
GOVERNOR (Figure 36) GASOLINE LPG	Page 58

TABLE OF CONTENTS

<u>DESCRIPTION</u>	<u>PAGE NO.</u>
H	
HEADER HOSE (Figure 124) TWO-STAGE 332000, 323000 AND 351000 SERIES MAST	Page 204
HEADER HOSE (Figure 125) TWO-STAGE 372000 AND 388000 SERIES MAST	Page 206
HEADER HOSE (Figure 126) THREE-STAGE	Page 208
HEADER HOSE (Figure 127) FREE-LIFT	Page 210
HOOD & LINKAGE (Figure 5)	Page 10
HYDRAULIC (Figure 88) DIESEL	Page 142
HYDRAULIC (Figure 89) GASOLINE LPG	Page 144
HYDRAULIC PUMP (Figure 90)	Page 146
I	
INNER MAST (Figure 100)	Page 166
INNER MAST (Figure 106)	Page 178
INNER MAST (Figure 113)	Page 190
INSTRUMENT PANEL (Figure 52)	Page 80
INSTRUMENT PANEL (Figure 53) TYPES GS, LPS & DS	Page 82
INTERMEDIATE MAST (Figure 105)	Page 176

TABLE OF CONTENTS

<u>DESCRIPTION</u>	<u>PAGE NO.</u>
L	
LABELS & PAINT (Figure 3)	Page 6
LIFT CYLINDER (Figure 102)	Page 170
LIFT CYLINDER (Figure 109) MAIN	Page 184
LIFT EYE (Figure 130)	Page 216
LIFT (Figure 101)	Page 168
LIGHTS (Figure 128) U.S.	Page 212
LIGHTS (Figure 129) EUROPE	Page 214
LOAD BACKREST EXTENSION (Figure 10)	Page 16
LOCK-OFF FILTER (Figure 45) LPG	Page 69
LPG CONVERTER (Figure 46) FIRST USED ON S/N B10B-809593	Page 69
LPG CONVERTER (Figure 47) FIRST USED ON S/N B10B-809594	Page 70
M	
MAIN LIFT (Figure 107)	Page 180
MAIN LIFT (Figure 114)	Page 192
MAIN LIFT CYLINDER (Figure 116)	Page 196
MANIFOLD (Figure 20) DIESEL	Page 32
MANIFOLD (Figure 29)	Page 44
MASTER CYLINDER (Figure 87)	Page 140
MONOTROL PEDAL (Figure 44) FIRST USED ON S/N B10B-4248	Page 68

TABLE OF CONTENTS

<u>DESCRIPTION</u>	<u>PAGE NO.</u>
N	
NUMERICAL INDEX	Page 221
O	
OIL FILTER (Figure 22) DIESEL	Page 34
OIL PUMP & OIL FILTER (Figure 30) GASOLINE LPG	Page 45
OIL PUMP (Figure 23) DIESEL	Page 35
OUTER MAST (Figure 104)	Page 174
OUTER MAST (Figure 112)	Page 188
OUTER MAST (Figure 99)	Page 164
P	
PARK BRAKE (Figure 85)	Page 138
PARK BRAKE LEVER (Figure 86)	Page 139
PEDAL & LINKAGE (Figure 83)	Page 134
S	
SEAT (Figure 6)	Page 12
SERVICE REPAIR KITS (Figure 2)	Page 3
SIDE SHIFT CARRIAGE (Figure 119)	Page 200
SIDE SHIFT CARRIAGE (Figure 120)	Page 201
SIDE SHIFT CYLINDER (Figure 123)	Page 203
SIDE SHIFT CYLINDER (Figure 121)	Page 202
SIDE SHIFT CYLINDER (Figure 122)	Page 202
STANDARD SEAT (Figure 7)	Page 13

TABLE OF CONTENTS

<u>DESCRIPTION</u>	<u>PAGE NO.</u>
S (CONTINUED)	
STARTER (Figure 55) GASOLINE LPG	Page 85
STARTER (Figure 56) DIESEL	Page 86
STEERING AXLE (Figure 77)	Page 125
STEERING COLUMN (Figure 76)	Page 124
STEERING CYLINDER (Figure 80) LAST USED ON S/N B10B-5701	Page 128
STEERING CYLINDER (Figure 81) FIRST USED ON S/N B10B-5702	Page 129
STEERING PUMP (Figure 78) LAST USED ON S/N B10B-5701	Page 126
STEERING PUMP (Figure 79) FIRST USED ON S/N B10B-5702	Page 127
STROBE LIGHT (Figure 131)	Page 216
SUSPENSION SEAT (Figure 8)	Page 14
T	
THROTTLE LINKAGE (Figure 41) LAST USED ON S/N B10B-4247	Page 65
THROTTLE LINKAGE (Figure 42) FORWARD/REVERSE SHIFT LEVER FIRST USED ON S/N B10B-4248	Page 66
THROTTLE LINKAGE (Figure 43) MONOTROL FIRST USED ON S/N B10B-4248	Page 67
TILT CYLINDER (Figure 98)	Page 160
TIMING GEAR (Figure 19) DIESEL	Page 31
TORQUE CONVERTER (Figure 64)	Page 98

TABLE OF CONTENTS

DESCRIPTION **PAGE NO.**

T (CONTINUED)

TRANSMISSION (Figure 65)
LAST USED ON S/N B10B-3065 Page 100

TRANSMISSION (Figure 66)
FIRST USED ON S/N B10B-3066 Page 102

V

VALVE & ATTACHING PARTS (Figure 92)
TWO-FUNCTION Page 148

VALVE & ATTACHING PARTS (Figure 94)
THREE-FUNCTION Page 152

VALVE & ATTACHING PARTS (Figure 96)
FOUR-FUNCTION Page 156

VALVE (Figure 73)
TRANSMISSION FORWARD & REVERSE SHIFT LEVER
LAST USED ON S/N B10B-3065 Page 116

VALVE (Figure 74)
TRANSMISSION FORWARD & REVERSE SHIFT LEVER
FIRST USED ON S/N B10B-3066 Page 118

VALVE (Figure 75)
TRANSMISSION MONOTROL PEDAL
FIRST USED ON S/N B10B-4248 Page 120

VALVE (Figure 93)
TWO-FUNCTION Page 150

VALVE (Figure 95)
THREE-FUNCTION Page 154

VALVE (Figure 97)
FOUR-FUNCTION Page 158

VALVE-FLOW (Figure 91) Page 147

W

WATER PUMP (Figure 21)
DIESEL Page 33

WATER PUMP (Figure 31)
GASOLINE LPG Page 46

Please Click Here To Download The Complete Manual
Download Other Manuals
If Having Any Questions Feel Free To Contact us

admin@servicemanualbit.com