

# **PARTS MANUAL**

**SPACESAVER**

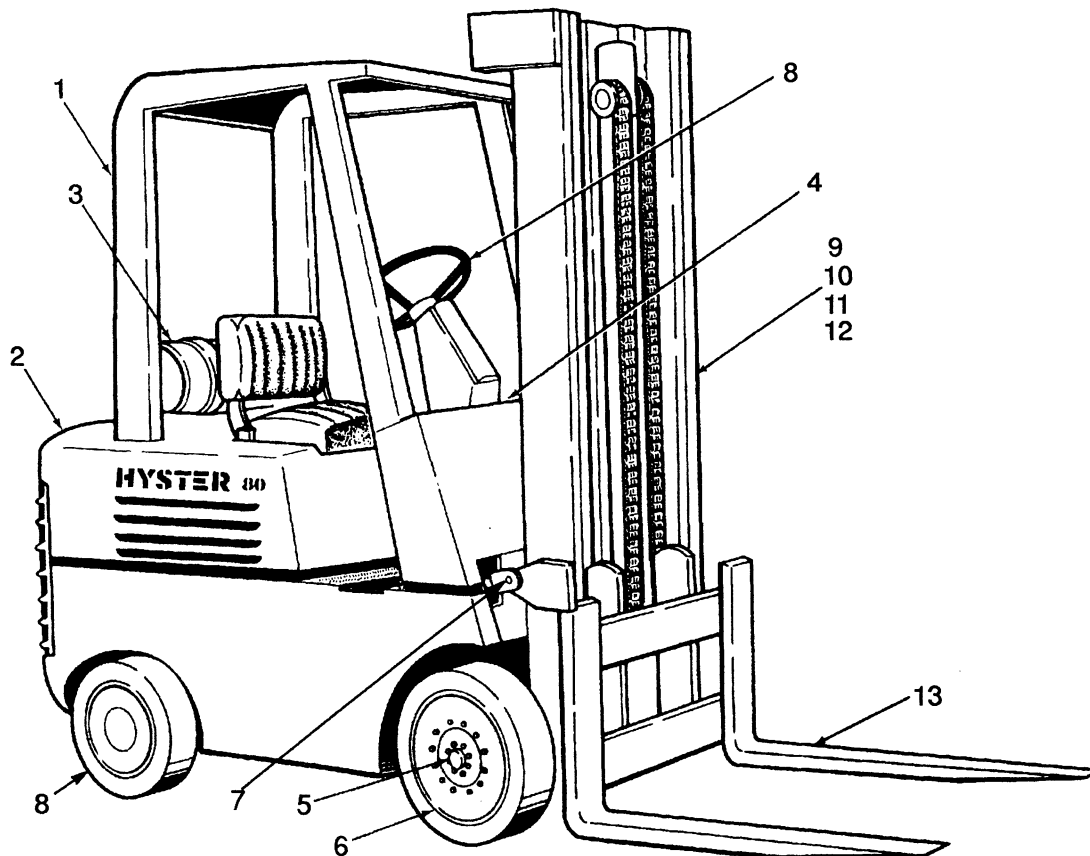
**S30C, S40C & S50C**

**(C002)**

**CUSTOMER EDITION**

# ***HYSTER***

**ILLUSTRATED CONTENTS**



<b>REF</b>	<b>SECTION</b>	<b>PAGE</b>
1	FRAME .....	Page 2
2	ENGINE .....	Page 13
3	FUEL SYSTEM .....	Page 59
4	ELECTRICAL SYSTEM .....	Page 101
5	TRANSMISSION AND DRIVE TRAIN .....	Page 131
6	BRAKE SYSTEM .....	Page 165
7	HYDRAULIC SYSTEM .....	Page 181
8	STEERING SYSTEM .....	Page 199
9	INTERMEDIATE FREE-LIFT MAST .....	Page 215
10	FULL FREE-LIFT MAST .....	Page 237
11	THREE STAGE MAST .....	Page 253
12	FOUR STAGE MAST .....	Page 295
13	OPTIONAL .....	Page 307
14	NUMERICAL INDEX .....	Page 337

**TABLE OF CONTENTS**

<b>DESCRIPTION</b>	<b>PAGE</b>
<b>A</b>	
AIR FILTER (Figure 46) .....	Page 80
AIR FILTER (Figure 43) F-163 GASOLINE ENGINE .....	Page 73
AIR FILTER (Figure 44) 3-152 DIESEL ENGINE .....	Page 74
ALTERNATOR (Figure 65) LAST USED ON S/N C2D-21938, C2A-7555, C2S-2613 AND C2T-3484 .....	Page 112
ALTERNATOR (Figure 66) FIRST USED ON S/N C2D-21939, C2A-7556, C2S-2614 AND C2T-3485 .....	Page 114
<b>B</b>	
BOOM (Figure 170) .....	Page 309
BRAKE AND INCHING CONTROLS (Figure 98) POWERSHIFT TRANSMISSION .....	Page 172
BRAKE CONTROLS (Figure 97) DRY CLUTCH AND OIL CLUTCH TRANSMISSION .....	Page 170
BRAKE (Figure 93) .....	Page 166
BRAKE LINES (Figure 99) .....	Page 174
<b>C</b>	
CAMSHAFT AND VALVES (Figure 11) F-163 GASOLINE ENGINE .....	Page 22
CARBURETOR (Figure 39) F-163 GASOLINE ENGINE LAST USED ON S/N C2D-6689, C2S-1661, C2T-1813 AND C2H-1544 .....	Page 66
CARBURETOR (Figure 40) F-163 GASOLINE ENGINE FIRST USED ON S/N C2D-6690, C2S-1662, C2T-1814 AND C2H-1545 .....	Page 68
CARBURETOR (Figure 53) F-163 LPG ENGINE LAST USED ON C2D-14077, C2A-4358, C2S-2017 AND C2T-2419 .....	Page 90

**TABLE OF CONTENTS**

<b>DESCRIPTION</b>	<b>PAGE</b>
<b>C (Continued)</b>	
CARBURETOR (Figure 54) F-163 LPG ENGINE FIRST USED ON S/N C2D-14078, C2A-4359, C2S-2018 AND C2T-2420 .....	Page 92
CARRIAGE (Figure 134) 137000 AND 192000 SERIES MASTS .....	Page 234
CARRIAGE (Figure 135) 280000 SERIES MASTS .....	Page 235
CARRIAGE (Figure 144) .....	Page 252
CARRIAGE (Figure 160) THREE STAGE 137000, 150000 AND 192000 SERIES MASTS .....	Page 293
CARRIAGE (Figure 161) THREE STAGE 282000 AND 283000 SERIES MASTS .....	Page 294
CARRIAGE (Figure 168) FOUR STAGE MAST .....	Page 305
CLUTCH BOOSTER (Figure 87) OIL CLUTCH LAST USED ON S/N C2A-1704, C2D-2917 AND C2S-1571 .....	Page 158
CLUTCH (Figure 76) .....	Page 138
CLUTCH PACK (Figure 78) POWERSHIFT .....	Page 142
CLUTCH PEDAL (Figure 85) DRY CLUTCH .....	Page 156
CLUTCH PEDAL (Figure 88) OIL CLUTCH FIRST USED ON S/N C2A-1705, C2D-2918 AND C2S-1572 .....	Page 159
CLUTCH RELEASE MECHANISM (Figure 86) OIL CLUTCH LAST USED ON S/N C2A-1704, C2D-2917 AND C2T-1571 .....	Page 157
CONTROL VALVES (Figure 106) .....	Page 185
CONVERTER (Figure 58) F-163 LPG ENGINE FIRST USED ON S/N C2D-14078, C2A-4359, C2S-2018 AND C2T-2420 .....	Page 97

**TABLE OF CONTENTS**

<b>DESCRIPTION</b>	<b>PAGE</b>
<b>C (Continued)</b>	
COOLING SYSTEM (Figure 21) F-163 GASOLINE ENGINE .....	Page 32
COOLING SYSTEM (Figure 34) 3-152 DIESEL ENGINE .....	Page 54
COUNTERWEIGHTS (Figure 5) .....	Page 8
CRANKSHAFT, PISTONS AND FLYWHEEL (Figure 10) F-163 GASOLINE ENGINE .....	Page 20
CRANKSHAFT, PISTONS AND FLYWHEEL (Figure 25) 3-152 DIESEL ENGINE .....	Page 38
CYLINDER ASSEMBLY (Figure 164) FOUR STAGE MAST MAIN LIFT .....	Page 300
CYLINDER ASSEMBLY (Figure 165) FOUR STAGE MAST FREE-LIFT .....	Page 301
CYLINDER BLOCK AND HEAD (Figure 9) F-163 GASOLINE ENGINE .....	Page 16
CYLINDER BLOCK (Figure 24) 3-152 DIESEL ENGINE .....	Page 36
CYLINDER HEAD (Figure 26) 3-152 DIESEL ENGINE .....	Page 40
<b>D</b>	
DIFFERENTIAL (Figure 82) .....	Page 150
DISTRIBUTOR (Figure 71) F-163 GASOLINE ENGINE LAST USED ON C2D-20940, C2T-3268, C2H-1798 AND C2S-2511 ....	Page 126
DISTRIBUTOR (Figure 72) .....	Page 128
<b>E</b>	
ELECTRICAL SYSTEM (Figure 62) GASOLINE DRY CLUTCH AND OIL CLUTCH .....	Page 102
ELECTRICAL SYSTEM (Figure 63) GASOLINE POWERSHIFT TRANSMISSION .....	Page 106

**TABLE OF CONTENTS**

<u>DESCRIPTION</u>	<u>PAGE</u>
<b>E (Continued)</b>	
ELECTRICAL SYSTEM (Figure 64) DIESEL .....	Page 110
ENGINE MOUNT AND FLYWHEEL HOUSING (Figure 33) 3-152 DIESEL ENGINE .....	Page 52
ENGINE MOUNT (Figure 20) F-163 GASOLINE ENGINE .....	Page 31
EXHAUST SYSTEM (Figure 23) F-163 GASOLINE ENGINE .....	Page 35
EXHAUST SYSTEM (Figure 36) 3-152 DIESEL ENGINE .....	Page 57
<b>F</b>	
FINAL DRIVE (Figure 83) .....	Page 152
FLOW DIVIDER (Figure 123) POWER STEERING ONLY .....	Page 210
FORK EXTENSION (Figure 174) .....	Page 313
FORKS (Figure 171) .....	Page 310
FORKS (Figure 172) FULL BOTTOM TAPER .....	Page 311
FORKS (Figure 175) BLOCK .....	Page 314
FOUR FUNCTION VALVE ARRANGEMENT (Figure 108) .....	Page 188
FRAME AND COWLING (Figure 2) .....	Page 4
FUEL FILTER (Figure 56) F-163 LPG ENGINE LAST USED ON S/N C2D-14077, C2A-4358, C2S-2017 AND C2T-2419 .....	Page 95
FUEL INJECTION PUMP (Figure 46) 3-152 DIESEL ENGINE .....	Page 78
FUEL INJECTION SYSTEM (Figure 45) 3-152 DIESEL ENGINE .....	Page 76

---

**TABLE OF CONTENTS**

---

<b>DESCRIPTION</b>	<b>PAGE</b>
<b>F (Continued)</b>	
FUEL LIFT PUMP AND FILTER (Figure 47) 3-152 DIESEL ENGINE .....	Page 82
FUEL PRESSURE REGULATOR (Figure 55) F-163 LPG ENGINE LAST USED ON S/N C2D-14077, C2A-4358, C2S-2017 AND C2T-2419 .....	Page 94
FUEL SYSTEM (Figure 37) F-163 GASOLINE AND 3-153 DIESEL .....	Page 62
FUEL SYSTEM (Figure 49) LPG F-163 ENGINE FIRST USED ON C2D-14078, C2A-4359, C2S-2018 AND C2T-2420 .....	Page 86
FUEL TANK (Figure 38) F-163 GS TRUCKS ONLY .....	Page 64
<b>G</b>	
GOVERNOR DRIVE AND LINKAGE (Figure 18) F-163 GASOLINE ENGINE .....	Page 29
GOVERNOR (Figure 19) F-163 GASOLINE ENGINE .....	Page 30
<b>H</b>	
HEADER HOSES (Figure 132) INTERMEDIATE FREE-LIFT 137000 AND 192000 SERIES MASTS .....	Page 230
HEADER HOSES (Figure 133) INTERMEDIATE FREE-LIFT 280000 AND 289000 SERIES MASTS .....	Page 232
HEADER HOSES (Figure 142) FULL FREE-LIFT MAST .....	Page 250
HEADER HOSES (Figure 156) EXTERNAL THREE STAGE 137000, 150000 AND 192000 SERIES MASTS .....	Page 286
HEADER HOSES (Figure 157) INTERNAL THREE FUNCTION CONTROL VALVE THREE-STAGE - STANDARD WIDTH 282000 AND 283000 SERIES MASTS .....	Page 288

---

**TABLE OF CONTENTS**

<b>DESCRIPTION</b>	<b>PAGE</b>
<b>H (Continued)</b>	
HEADER HOSES (Figure 158) INTERNAL THREE FUNCTION CONTROL VALVE THREE-STAGE - WIDE WIDTH 282000 AND 283000 SERIES MASTS .....	Page 290
HEADER HOSES (Figure 166) FOUR STAGE MAST .....	Page 302
HOOD LINKAGE (Figure 3) .....	Page 6
HOSE REEL (Figure 184) .....	Page 329
HYDRAULIC FILTER (Figure 110) .....	Page 191
HYDRAULIC PUMP (Figure 111) .....	Page 192
HYDRAULIC SYSTEM (Figure 104) .....	Page 182
<b>I</b>	
INTAKE MANIFOLD AND THERMOSTAT (Figure 30) 3-152 DIESEL ENGINE .....	Page 48
<b>J</b>	
JUNCTION BLOCK (Figure 143) .....	Page 251
JUNCTION BLOCK (Figure 159) .....	Page 292
JUNCTION BLOCK (Figure 167) .....	Page 304
JUNCTION BLOCK (Figure 182) .....	Page 327
<b>L</b>	
LABELS AND PAINT (Figure 8) .....	Page 11
LIFT CYLINDER (Figure 129) 137000 SERIES MASTS .....	Page 224
LIFT CYLINDER (Figure 130) 192000 SERIES MASTS .....	Page 226
LIFT CYLINDER (Figure 131) 280000 AND 289000 SERIES MASTS .....	Page 228



**TABLE OF CONTENTS**

<b>DESCRIPTION</b>	<b>PAGE</b>
<b>L (Continued)</b>	
LIFT CYLINDER (Figure 140) 137000 SERIES MASTS .....	Page 246
LIFT CYLINDER (Figure 141) 192000 SERIES MASTS .....	Page 248
LIFT CYLINDER (Figure 154) THREE STAGE 137000 AND 150000 SERIES MASTS .....	Page 282
LIFT CYLINDER (Figure 155) THREE STAGE 192000, 282000 AND 283000 SERIES MASTS .....	Page 284
LIFT (Figure 126) INTERMEDIATE FREE-LIFT 137000 AND 192000 SERIES MASTS .....	Page 218
LIFT (Figure 128) INTERMEDIATE FREE-LIFT 280000 AND 289000 SERIES MASTS .....	Page 222
LIFT (Figure 137) FULL FREE-LIFT 137000 SERIES MASTS .....	Page 240
LIFT (Figure 139) FULL FREE-LIFT 192000 SERIES MASTS .....	Page 244
LIFT (Figure 147) THREE STAGE 137000 AND 150000 SERIES MASTS .....	Page 260
LIGHTS (Figure 185) .....	Page 330
LOAD BACKREST EXTENSION (Figure 173) .....	Page 312
LOCK-OFF AND FILTER (Figure 61) F-163 LPG ENGINE FIRST USED ON S/N C2D-20541, C2A-6749 AND C2T-31197 .....	Page 100
LOCK-OFF FILTER (Figure 60) F-163 LPG ENGINE FIRST USED ON S/N C2D-14078, C2A-4359, C2S-2018 AND C2T-2420 .....	Page 99
LOW PROFILE SEAT (Figure 6) FIRST USED ON C2D-13598 .....	Page 9

**TABLE OF CONTENTS**

<b>DESCRIPTION</b>	<b>PAGE</b>
<b>L (Continued)</b>	
LPG EQUIPMENT (Figure 48) F-163 LPG ENGINE LAST USED ON S/N C2D-14077, C2A-4358, C2S-2017 AND C2T-2419 .....	Page 84
LPG TANK (Figure 51) A.S.M.E. ....	Page 88
LPG TANK (Figure 52) I.C.C. ....	Page 89
<b>M</b>	
MAGNETIC LOCK-OFF VALVE (Figure 59) F-163 LPG ENGINE LAST USED ON S/N C2D-14077, C2A-4358, C2S-2017 AND C2T-2419 .....	Page 98
MANIFOLDS (Figure 16) F-163 GASOLINE ENGINE .....	Page 27
MANUAL STEERING GEAR (Figure 121) .....	Page 206
MAST (Figure 125) INTERMEDIATE FREE-LIFT 137000 AND 192000 SERIES .....	Page 216
MAST (Figure 127) INTERMEDIATE FREE-LIFT 280000 AND 289000 SERIES .....	Page 220
MAST (Figure 136) FULL FREE-LIFT 137000 SERIES .....	Page 238
MAST (Figure 138) FULL FREE-LIFT 192000 SERIES .....	Page 242
MAST (Figure 145) THREE STAGE 137000 SERIES .....	Page 256
MAST (Figure 146) THREE STAGE 150000 SERIES .....	Page 258
MAST (Figure 148) THREE STAGE 192000 SERIES OUTER MAST, INTERMEDIATE MAST AND MAIN LIFT .....	Page 264

**TABLE OF CONTENTS**

<b>DESCRIPTION</b>	<b>PAGE</b>
<b>M (Continued)</b>	
MAST (Figure 149) THREE STAGE 192000 SERIES INNER MAST AND FREE-LIFT .....	Page 268
MAST (Figure 150) THREE STAGE 282000 SERIES OUTER MAST, INTERMEDIATE MAST AND MAIN LIFT .....	Page 270
MAST (Figure 151) THREE STAGE 282000 SERIES INNER MAST AND FREE-LIFT .....	Page 274
MAST (Figure 152) THREE STAGE 283000 SERIES OUTER MAST, INTERMEDIATE MAST AND MAIN LIFT .....	Page 276
MAST (Figure 153) THREE STAGE 283000 SERIES INNER MAST AND FREE-LIFT .....	Page 280
MAST (Figure 162) FOUR STAGE OUTER MAST, SECOND MAST AND MAIN LIFT .....	Page 296
MAST (Figure 163) FOUR STAGE THIRD MAST, INNER MAST AND FREE-LIFT .....	Page 298
MASTER CYLINDER (Figure 94) LAST USED ON S/N C2D-14147, C2A-4335, C2H-1654, C2S-2020 AND C2T-2424 .....	Page 167
MASTER CYLINDER (Figure 95) FIRST USED ON S/N C2D-14148, C2A-4336, C2H-1655, C2A-5028, C2S-2021 AND C2T-2425 .....	Page 168
MASTER CYLINDER (Figure 96) .....	Page 169
MONOTROL PEDAL (Figure 90) POWERSHIFT .....	Page 161
<b>O</b>	
OIL FILTER (Figure 14) F-163 GASOLINE ENGINE LAST USED ON S/N C2D-11989, C2T-2092, C2S-1906 AND C2A-3702 .....	Page 25

---

**TABLE OF CONTENTS**

---

<u>DESCRIPTION</u>	<u>PAGE</u>
<b>O (Continued)</b>	
OIL FILTER (Figure 15) F-163 GASOLINE ENGINE FIRST USED ON S/N C2D-11990, C2T-2093, C2S-1907 AND C2A-3703 .....	Page 26
OIL FILTER (Figure 31) 3-152 DIESEL ENGINE LAST USED ON ENGINE S/N 152U20141 .....	Page 50
OIL FILTER (Figure 32) 3-152 DIESEL ENGINE FIRST USED ON ENGINE S/N 152U20142 .....	Page 51
OIL PAN AND OIL PUMP (Figure 29) 3-152 DIESEL ENGINE .....	Page 46
OIL PAN, GASKET AND FILLER BLOCKS (Figure 13) F-163 GASOLINE ENGINE .....	Page 24
OIL PUMP (Figure 12) F-163 GASOLINE ENGINE .....	Page 23
OVERHEAD GUARD (Figure 4) .....	Page 7
<b>P</b>	
PARK AND DRIVE SWITCH (Figure 73) POWERSHIFT LAST USED ON S/N C2D-10317 AND C2A-3105 .....	Page 129
PARKING BRAKE CYLINDER (Figure 103) POWERSHIFT TRANSMISSION LAST USED ON S/N C2D-10317, C2A-3105, C2S-1796, C2T-2005 AND C2H-1582 .....	Page 180
PARKING BRAKE (Figure 100) DRY CLUTCH AND OIL CLUTCH LAST USED ON S/N C2D-10317, C2A-3105, C2S-1796, C2T-2005 AND C2H-1582 .....	Page 175
PARKING BRAKE (Figure 101) POWERSHIFT TRANSMISSION LAST USED ON S/N C2D-10317, C2A-3105, C2S-1796, C2S-2005 AND C2H-1582 .....	Page 176
PARKING BRAKE (Figure 102) FIRST USED ON S/N C2D-10318, C2A-3106, C2S-1797, C2T-2006 AND C2H-1583 .....	Page 178
POWER STEERING GEAR (Figure 122) .....	Page 208

**TABLE OF CONTENTS**

<b>DESCRIPTION</b>	<b>PAGE</b>
<b>P (Continued)</b>	
POWERSHIFT LEVER (Figure 188) .....	Page 334
PRESSURE CONTROL VALVE ARRANGEMENT (Figure 186) THREE POSITION .....	Page 332
PRESSURE CONTROL VALVE (Figure 187) THREE POSITION .....	Page 333
PUBLICATIONS (Figure 1) .....	Page 1
PUMP DRIVE AND MOUNTING (Figure 112) 3-152 DIESEL ENGINE .....	Page 193
<b>S</b>	
SCOOP (Figure 183) .....	Page 328
SEAT (Figure 7) .....	Page 10
SHIFT LINKAGE (Figure 84) DRY CLUTCH AND OIL CLUTCH .....	Page 154
SIDE-SHIFT CARRIAGE (Figure 176) INTERMEDIATE FREE-LIFT 137000 SERIES MASTS .....	Page 316
SIDE-SHIFT CARRIAGE (Figure 177) INTERMEDIATE FREE LIFT 192000 SERIES MASTS .....	Page 318
SIDE-SHIFT CARRIAGE (Figure 178) INTERMEDIATE FREE-LIFT 280000 SERIES MASTS .....	Page 320
SIDE-SHIFT CARRIAGE (Figure 179) FULL FREE-LIFT AND THREE STAGE 137000 AND 150000 SERIES MASTS .....	Page 322
SIDE-SHIFT CARRIAGE (Figure 180) FULL FREE-LIFT AND THREE-STAGE 192000, 282000 AND 283000 SERIES MASTS .....	Page 324
SIDE-SHIFT CYLINDER (Figure 181) .....	Page 326
STARTER MOTOR (Figure 67) F-163 GASOLINE ENGINE LAST USED .....	Page 116

**TABLE OF CONTENTS**

<b>DESCRIPTION</b>	<b>PAGE</b>
<b>S (Continued)</b>	
STARTER MOTOR (Figure 68) F-163 GASOLINE ENGINE FIRST USED .....	Page 118
STARTER MOTOR (Figure 69) GASOLINE ENGINE FIRST USED ON OIL CLUTCH C2D-19861, C2S-2431, C2T-3129 AND POWERSHIFT C2D-19834, C2T-3122 .....	Page 122
STARTER MOTOR (Figure 70) 3-152 DIESEL ENGINE .....	Page 124
STEERING AXLE (Figure 124) .....	Page 212
STEERING LINKAGE (Figure 120) .....	Page 204
STEERING SYSTEM (Figure 118) LAST USED ON C2A-1704, C2D-2917 AND C2T-1571 .....	Page 200
STEERING SYSTEM (Figure 119) FIRST USED ON C2A-1705, C2D-2918 AND C2T-1572 .....	Page 202
<b>T</b>	
THREE FUNCTION VALVE ARRANGEMENT (Figure 107) .....	Page 186
THROTTLE LINKAGE (Figure 41) DRY CLUTCH, OIL CLUTCH AND POWERSHIFT WITH FORWARD/REVERSE SHIFT LEVER .....	Page 70
THROTTLE LINKAGE (Figure 42) POWERSHIFT WITH MONOTROL .....	Page 72
TILT CONTROL VALVE (Figure 109) .....	Page 190
TILT CONTROL VALVE (Figure 117) .....	Page 198
TILT CYLINDER (Figure 113) LAST USED ON S/N C2D-5070, C2A-2280 AND C2T-1713 .....	Page 194
TILT CYLINDER (Figure 114) FIRST USED ON S/N C2D-5071, C2A-2281 AND C2T-1714 .....	Page 195
TILT CYLINDER (Figure 115) FIRST USED ON S/N C2D-15941, C2A-5100, C2H-1703 AND C2T-2511 .....	Page 196
TILT LIMITING KITS (Figure 116) .....	Page 197

**TABLE OF CONTENTS**

<b>DESCRIPTION</b>	<b>PAGE</b>
<b>T (Continued)</b>	
TIMING GEAR AND CAMSHAFT (Figure 28) 3-152 DIESEL ENGINE .....	Page 44
TIMING GEAR COVER (Figure 17) F-163 GASOLINE ENGINE .....	Page 28
TIRES AND WHEELS (Figure 169) .....	Page 308
TORQUE CONVERTER (Figure 79) POWERSHIFT .....	Page 144
TORQUE CONVERTER (Figure 80) GASOLINE ENGINE/POWERSHIFT FIRST USED ON S/N C2D-15399, C2A-4881, C2H-1677, C2S-2087 AND C2T-2420 .....	Page 146
TRANSMISSION AND FINAL DRIVE HOUSING (Figure 74) .....	Page 134
TRANSMISSION CONTROL VALVE (Figure 81) POWERSHIFT .....	Page 148
TRANSMISSION (Figure 77) POWERSHIFT .....	Page 140
TRANSMISSION GEARS (Figure 75) DRY AND OIL CLUTCH .....	Page 136
TRANSMISSION OIL FILTER (Figure 91) POWERSHIFT LAST USED ON S/N C2D-11989, C2T-2092, C2S-1940 AND C2A-3702 .....	Page 162
TRANSMISSION OIL FILTER (Figure 92) POWERSHIFT FIRST USED ON S/N C2D-11990, C2T-2093, C2S-1941 AND C2A-3703 .....	Page 163
TRANSMISSION PIPING (Figure 89) POWERSHIFT .....	Page 160
<b>V</b>	
VALVE GEAR AND COVER (Figure 27) 3-152 DIESEL ENGINE .....	Page 42
VAPORIZER AND WATER JACKET (Figure 57) F-163 LPG ENGINE LAST USED ON S/N C2D-14077, C2A-4358, C2S-2017 AND C2T-2419 .....	Page 96
<b>W</b>	
WATER PUMP (Figure 22) FOR F-163 GASOLINE ENGINE .....	Page 34
WATER PUMP (Figure 35) 3-152 DIESEL ENGINE .....	Page 56

**Please Click Here To Download The Complete Manual**  
**Download Other Manuals**  
**If Having Any Questions Feel Free To Contact us**

**[admin@servicemanualbit.com](mailto:admin@servicemanualbit.com)**