

# **PARTS MANUAL**

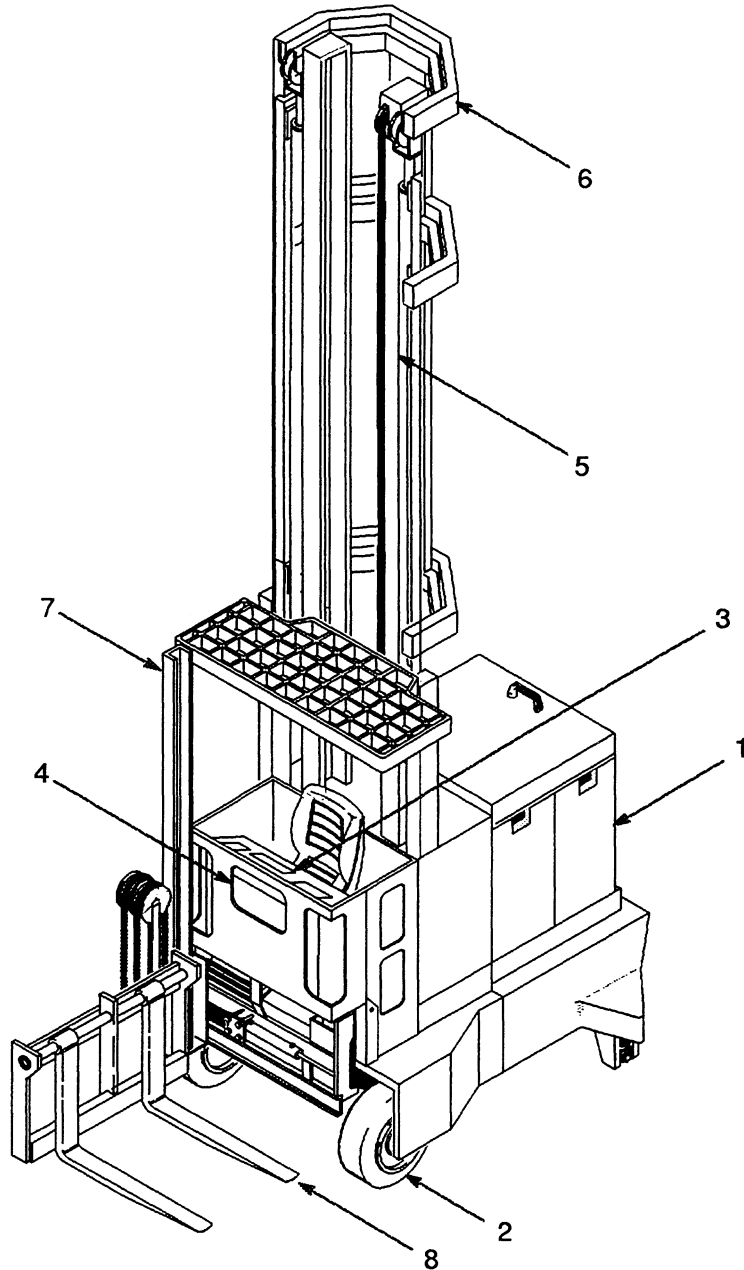
**HI-RACKER  
R40EH**

**(C176)**

**CUSTOMER EDITION**

# ***HYSTER***

## ILLUSTRATED CONTENTS



REF	DESCRIPTION	PAGE
1	FRAME .....	3
2	MAST DRIVE UNIT .....	9
3	STEERING SYSTEM .....	17
4	ELECTRICAL SYSTEM .....	25
5	HYDRAULIC SYSTEM .....	47
6	MAST & CAB .....	77
7	ATTACHMENT .....	97
8	OPTIONAL EQUIPMENT .....	117
..	NUMERICAL INDEX .....	131

## TABLE OF CONTENTS

<u>DESCRIPTION</u>	<u>PAGE</u>
<b>C</b>	
CAB (Figure 45) .....	Page 84
CAB (Figure 46) MOUNTING .....	Page 86
CARRIAGE (Figure 60) .....	Page 113
CONTACTOR (Figure 20) REGENERATIVE BRAKING .....	Page 40
CONTACTOR (Figure 21) FORWARD & REVERSE .....	Page 41
CONTACTOR (Figure 22) QUICK DISCONNECT .....	Page 42
CONTACTOR (Figure 23) STEERING .....	Page 43
CONTROL PANEL (Figure 17) .....	Page 34
CONTROL VALVE (Figure 34) .....	Page 64
CONTROL VALVE AND HYDRAULICS (Figure 30) .....	Page 56
CONTROLLER (Figure 25) .....	Page 46
<b>D</b>	
DRIVE UNIT (Figure 6) LAST USED ON S/N C176D-1506 .....	Page 12
DRIVE UNIT (Figure 7) FIRST USED ON S/N C176D-1507 .....	Page 14
<b>E</b>	
ELECTRICAL CONTROL PANEL (Figure 13) .....	Page 26
ELECTRICAL (Figure 14) CAB .....	Page 28
ELECTRICAL (Figure 15) FRAME .....	Page 30
ELECTRICAL (Figure 61) ATTACHMENT .....	Page 114

**TABLE OF CONTENTS**

<u>DESCRIPTION</u>	<u>PAGE</u>
<b>F</b>	
FIRE EXTINGUISHER (Figure 70) .....	Page 125
FREE-LIFT CYLINDER (Figure 62) LAST USED ON S/N C176P-1525 .....	Page 115
FREE-LIFT CYLINDER (Figure 63) FIRST USED ON S/N C176P-1526 .....	Page 116
FREE-LIFT (Figure 57) .....	Page 108
FREE-LIFT MAST (Figure 56) .....	Page 106
<b>G</b>	
GEAR PUMP (Figure 35) LAST USED ON S/N C176P-1534 .....	Page 66
GEAR PUMP (Figure 36) FIRST USED ON S/N C176P-1535 .....	Page 67
GUIDE ROLLER (Figure 71) .....	Page 126
<b>H</b>	
HOOD AND COVERS (Figure 2) .....	Page 4
HYDRAULIC OIL FILTER (Figure 33) .....	Page 62
HYDRAULIC PUMP (Figure 41) .....	Page 73
HYDRAULIC SYSTEM (Figure 26) .....	Page 48
HYDRAULIC SYSTEM (Figure 27) STEERING LAST USED ON S/N C176P-1534 .....	Page 50
HYDRAULIC SYSTEM (Figure 28) STEERING FIRST USED ON S/N C176P-1535 .....	Page 52
<b>I</b>	
INNER MAST (Figure 44) .....	Page 82

## TABLE OF CONTENTS

<u>DESCRIPTION</u>	<u>PAGE</u>
<b>L</b>	
LABELS AND PAINT (Figure 4) .....	Page 6
LIFT CYLINDER (Figure 49) LAST USED ON S/N C176P-1525 .....	Page 92
LIFT CYLINDER (Figure 50) FIRST USED ON S/N C176P-1526 .....	Page 94
LIFTING EYE (Figure 68) .....	Page 123
LOAD WHEEL (Figure 3) .....	Page 5
LOWERING CONTROL VALVE (Figure 31) LAST USED ON S/N C176P-1525 .....	Page 58
LOWERING CONTROL VALVE (Figure 32) FIRST USED ON S/N C176P-1526 .....	Page 60
<b>M</b>	
MOTOR (Figure 59) ROTATOR .....	Page 112
<b>O</b>	
OPERATOR CONSOLE (Figure 16) .....	Page 32
OUTER MAST (Figure 43) .....	Page 78
<b>P</b>	
PANEL (Figure 18) .....	Page 36
<b>R</b>	
ROTATOR (Figure 58) .....	Page 110
<b>S</b>	
SCR CONTROL (Figure 24) .....	Page 44
SEAT (Figure 47) .....	Page 88
SIDESHIFT CYLINDER (Figure 52) LAST USED ON S/N C176P-1531 .....	Page 100
SIDESHIFT CYLINDER (Figure 53) FIRST USED ON S/N C176P-1532 .....	Page 102

## TABLE OF CONTENTS

<u>DESCRIPTION</u>	<u>PAGE</u>
<b>S</b>	
SPOTLIGHT (Figure 69) .....	Page 124
STEERING & DRIVE AXLE (Figure 5) .....	Page 10
STEERING CONTROL (Figure 8) .....	Page 18
STEERING CONTROL UNIT (Figure 29) .....	Page 54
STEERING CYLINDER (Figure 10) .....	Page 22
STEERING CYLINDER (Figure 11) .....	Page 23
STEERING CYLINDER (Figure 12) .....	Page 24
STEERING MOTOR (Figure 37) .....	Page 68
STEERING MOTOR (Figure 38) .....	Page 70
STEERING MOTOR (Figure 39) .....	Page 71
STEERING MOTOR (Figure 40) .....	Page 72
STEERING MOTOR (Figure 9) .....	Page 20
STROBE LIGHT (Figure 66) LAST USED ON S/N C176D-1500 .....	Page 121
STROBE LIGHT (Figure 67) FIRST USED ON S/N C176D-1501 .....	Page 122
<b>T</b>	
TOP SHEAVE (Figure 48) .....	Page 90
TRACTION CONTROL (Figure 19) .....	Page 38
TRACTION MOTOR (Figure 42) .....	Page 74
TRANSFER AISLE INTERLOCK (Figure 65) .....	Page 120
TRAVERSE CYLINDER (Figure 54) LAST USED ON S/N C176P-1524 .....	Page 104

---

## TABLE OF CONTENTS

<u>DESCRIPTION</u>	<u>PAGE</u>
<b>T</b>	
TRAVERSE CYLINDER (Figure 55) FIRST USED ON S/N C176P-1525 .....	Page 105
TRAVERSE FRAME (Figure 51) .....	Page 98
<b>W</b>	
WHEEL AND SWEEPER GUARD (Figure 72) .....	Page 128
WIRE GUIDANCE (Figure 64) .....	Page 118

## HOW TO USE THE ILLUSTRATED PARTS MANUAL

This parts manual describes and illustrates assemblies, subassemblies, and detail parts needed for service replacement.

The different constructions are indicated by keys, symbols and footnotes.

SERIAL CODE E7 **HYSTER**

3 → **TABLE OF CONTENTS** → 4 → PAGE

DESCRIPTION	PAGE
Cylinder Block Turbo	Page 48
Cylinder Block	
Cylinder Head Turbo	
Cylinder Head	
Differential First Used on E7E-1585	

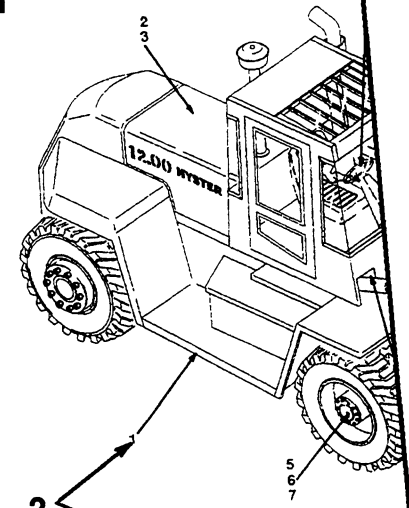
Page 1  
SERIAL CODE E7 **HYSTER**

**NUMERICAL INDEX**

PART NO	REF FIGURE NO	PART NO	REF FIGURE NO	PART NO	REF FIGURE NO	PART NO	REF FIGURE NO	PART NO	REF FIGURE NO
									28
	8 31	1360968	87	1369121	96 1	1374582	87 38		31
						1374583	87 39		32
						1374584	87 39		34
	7 31	1361200	19 6			1374598	87 39		36
						1374599	87 39		38
						1374750	10 20		41
						1374980	34 25		47
							35 25		48

SERIAL CODE E7 **HYSTER**

1 → **ILLUSTRATED CONTENTS**



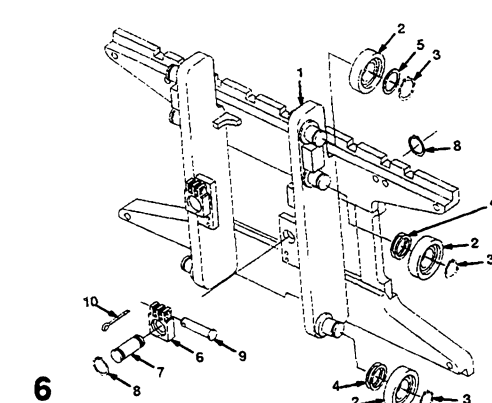
REF	SECTION
1	FRAME
2	ENGINE
3	FUEL
4	ELECTRICAL
5	BRAKE
6	TRANSMISSION
7	DRIVE AXLE
8	STEERING
9	HYDRAULIC
10	TWO-STAGE FFL
11	OPTIONAL
...	NUMERICAL INDEX

©1995 HYSTER COMPANY See Service Manual for service procedures

Page 211  
SERIAL CODE D177-EUR **HYSTER**

**CARRIAGE TWO-STAGE LFL SIX ROLLER**

9 → LAST USED ON S/N PENDING PER ECN 98765 (Figure 163)



6 →

KEY:  
A: H2.00-2.750M  
B: H5.00-3.200M

REF	PART NO.	NAME OF PART	QTY	
			A	B
	5	366116 Spacer	2	2
	6	1369345 Chain Anchor	2	2
	7	1345352 Pin	2	2
1	1338616	Frame	4	4
1	1345216	Stubshaft	2	2
2	1345218	Load Roller ("A" Standard)	6	6
2	1345219	Load Roller ("B" 0,76 mm)	6	6
2	1345220	Load Roller ("C" 1,52 mm)	6	6
3	12894	Circclip	6	6
4	1345253	Shim	ARAR	

7 →

8 → Table

©1995 HYSTER COMPANY See Service Manual for service procedures 18/12/95



## HOW TO FIND THE DESIRED PART NUMBER

### WHEN THE PART NUMBER AND THE NEXT HIGHER ASSEMBLY IS NOT KNOWN:

1. Determine the function and application of the part required. Turn to the illustrated index page immediately behind the front cover. Choose the general area of reference most likely to include the part.
2. Find the page number for the reference number you choose and turn to that page. Use the division index to determine the assembly which would normally contain the part required. Then locate the part on the assembly breakdown page.

### WHEN THE PART NUMBER IS NOT KNOWN AND THE NEXT HIGHER ASSEMBLY IS KNOWN:

3. Determine the assembly the required part is used on. Turn to the Master Index immediately following the Illustrated Index.
4. Locate the assembly the required part is used on and turn to the page indicated for that assembly. Then locate the part on the assembly breakdown page.

### WHEN THE PART NUMBER IS KNOWN:

5. Use the numerical index at the back of the manual to find the part number. Turn to the figure listed and locate the part as indicated by the reference number.

### GENERAL:

The assembly breakdowns include part numbers, description, quantities required, keys and footnotes to help in selecting the correct parts.

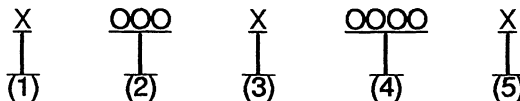
6. Keys are used to show effective serial numbers for two or more similar assemblies, RH and LH assembly parts, etc. Select the appropriate key, "A", "B", "C" or "D" and the corresponding quantity column to find the required parts.
7. Indented descriptions under "Name of Part" are used to indicate assemblies and sub-parts of assemblies. In the example, *LOAD ROLLER* (Item 2) is a subpart of the major assembly *CARRIAGE*.
8. Quantities shown are for one assembly. The quantities of the subpart *LOAD ROLLER* are indicated as six and six. This means six per *CARRIAGE* assembly.
9. Engineering change notice (ECN) numbers for pending serial numbers are shown to allow for the inclusion of the most current parts information. Contact your local dealer for Hyster lift trucks for serial number information listed by ECN number.
10. Additional fork lengths are available. Contact your dealer for Hyster lift trucks.

### ORDERING PARTS:

When ordering replacement parts, give the unit serial number, part number, name of part and quantity required.

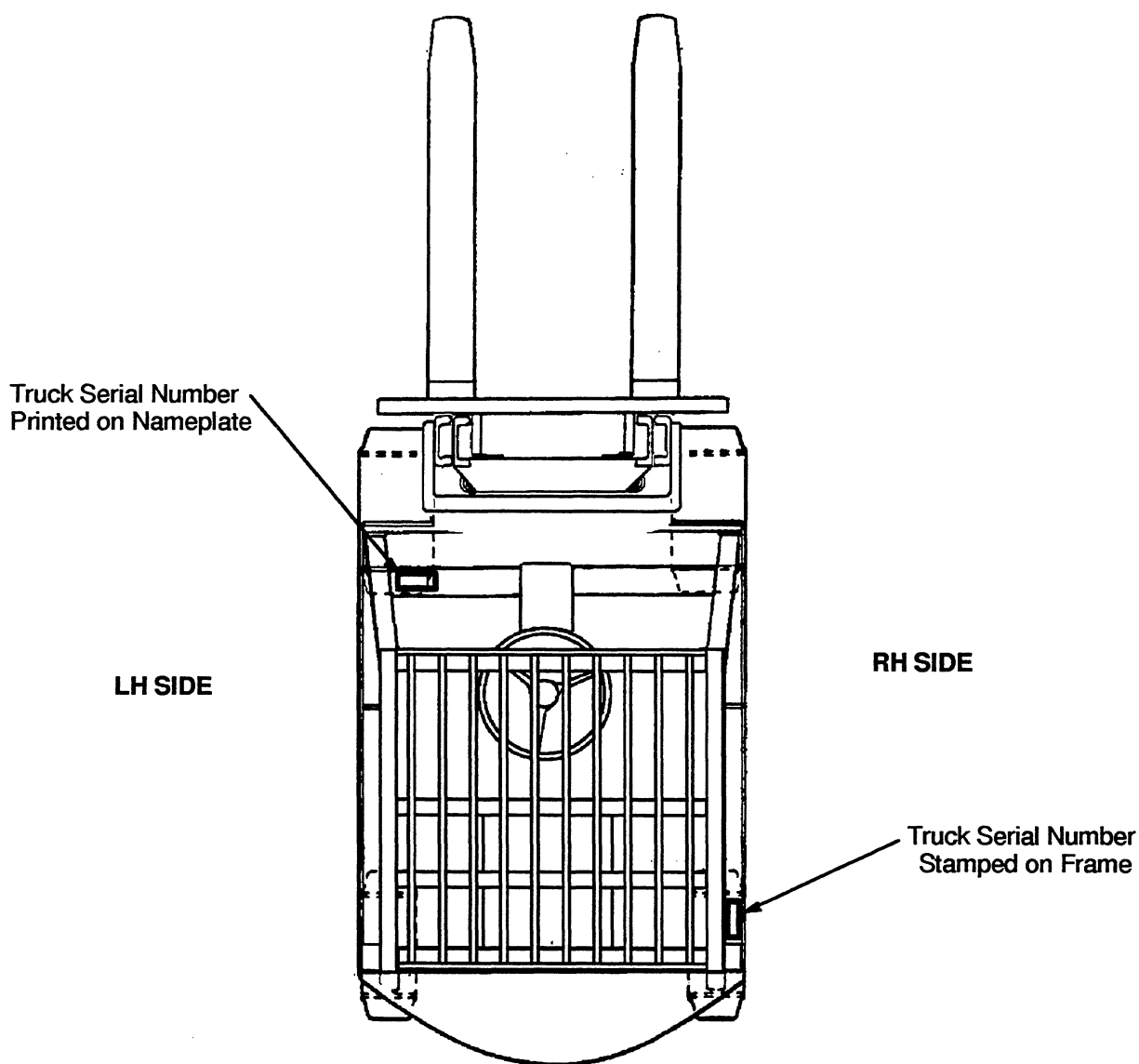
For any further information on parts, service, or ordering, consult your local dealer for Hyster lift trucks.

## IDENTIFICATION OF TRUCK SERIAL NUMBERS



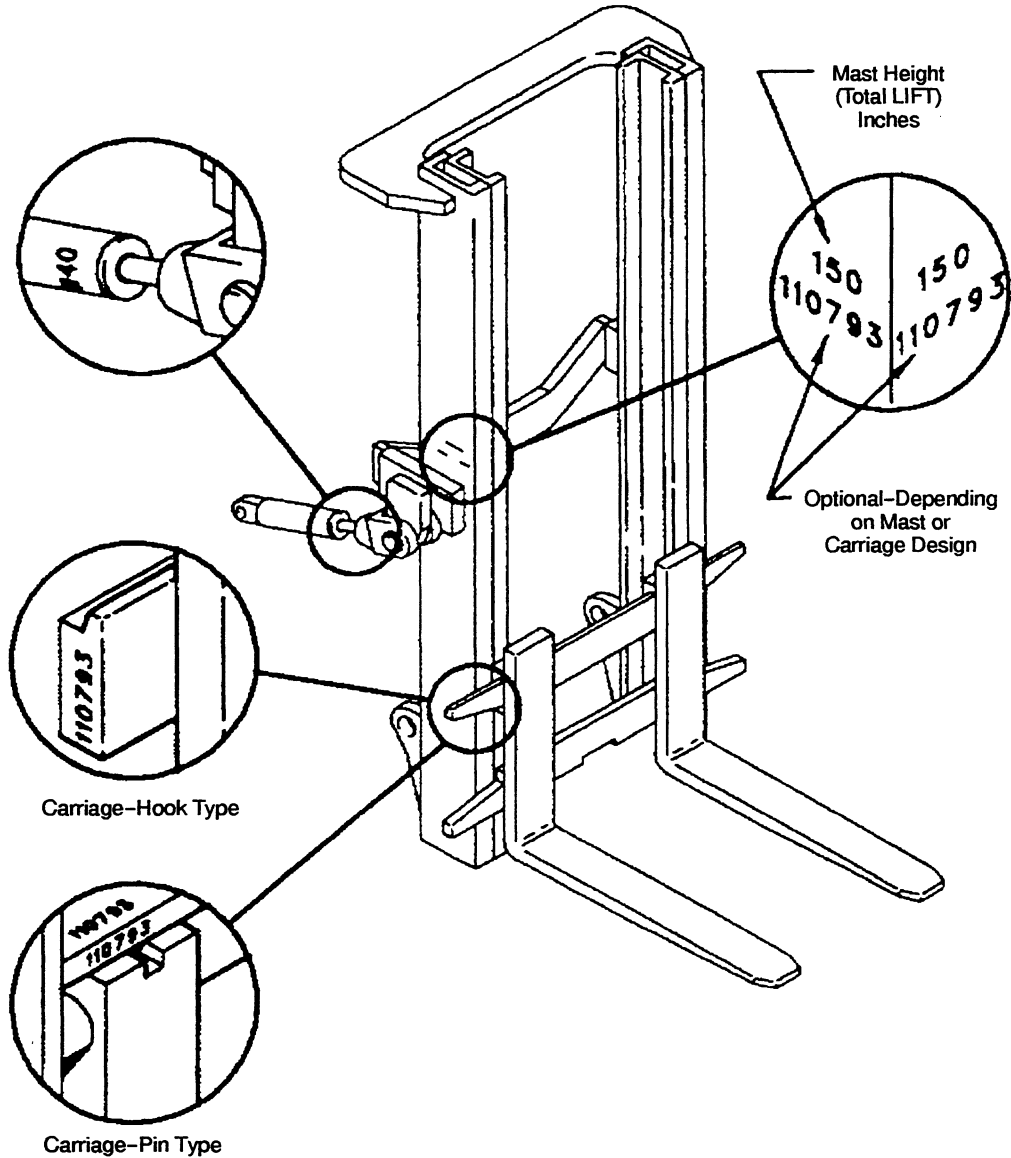
- (1) & (2) The first letter and three numbers indicate the truck model code.
- (3) The second letter indicates the plant of manufacture.
- (4) The four or five digit number series indicates the serial number of the truck.
- (5) The final letter indicates the year of manufacture starting with "A" in 1957 and 1980. The letters "I", "O", and "Q" will not be used.

For pending serial numbers contact your local dealer for Hyster lift trucks.



Parts referred to in this book as right or left hand parts are in accordance with the illustration above.

## IDENTIFICATION OF MAST SERIAL NUMBERS



### LIFT EQUIPMENT IDENTIFICATION

1. Mast group numbers and total lift heights are stamped on the right hand outer mast approximately four feet from the bottom of the load arm. The group numbers include the inner and outer masts, lift cylinder, lift chain and bleeder hoses or pipes.
2. The carriage and tilt cylinder numbers are located as shown. Lift cylinder numbers are stamped on the cylinder shell near the bleeder screw or on the chain anchor. Load arm part number, capacity rating, plant code letter and date of manufacture are stamped approximately six inches below the top RH side of load arms. Always refer to these group and part numbers when ordering service parts.

**PUBLICATIONS (Figure 1)**

Every new lift truck is provided with at least three publications. These publications are the PARTS MANUAL, the OPERATING MANUAL, and the section of the SERVICE MANUAL called Periodic Maintenance.

The OPERATING MANUAL must always be avail-

able on every lift truck. This manual has information that the operator must know for inspection and operation of the lift truck. The section Periodic Maintenance has a recommended schedule of service intervals and the procedures for servicing the lift truck.

<b>PUBLICATION</b>	<b>PART NUMBER</b>
<b>Operating Manual</b> .....	897324
<b>Service Manual (Complete)</b> .....	897325
The Frame 100 SRM 296 .....	897078
The DC Motor 620 SRM 145 .....	899769
DC Motor Maintenance 620 SRM 294 .....	897076
Drive Units 630 SRM 403 .....	897328
The Steering Control Unit 1600 SRM 54 .....	910076
Electric Power Steering 1600 SRM 272 .....	897059
Brakes 1800 SRM 298 .....	897080
Hydraulic Gear Pumps 1900 SRM 97 .....	910091
Hydraulic System 1900 SRM 404 .....	897329
Electrical Warning Devices 220 SRM 144 .....	910111
EV-100 Motor Controller	
Description And Operation 2200 SRM 287 .....	897069
Repairs And Adjustments 2200 SRM 288 .....	897070
Troubleshooting 2200 SRM 312 .....	897094
Electrical System Adjustments 2200 SRM 406 .....	897331
Wire Guidance Description 2200 SRM 233 .....	899293
Wire Guidance Repair 220 SRM 320 .....	897102
The Industrial Battery 2240 SRM 1 .....	899648
Battery Indicators 2260 SRM 138 .....	901114
Lift Cylinders 4000 SRM 135 .....	910119
The Mast 4000 SRM 301 .....	897083
Rota-Glide Attachment 5000 SRM 227 .....	897050
Inch And Metric Fasteners 8000 SRM 231 .....	910442
Periodic Maintenance 8000 SRM 401 .....	897326
Capacities And Specifications 8000 SRM 407 .....	897332
Diagrams 8000 SRM 408 .....	897333
<b>Parts Manual</b> .....	852233
<b>Operator Training Program</b>	
Operator Training Kit (Complete)	
Slide Format With Carry Case .....	852802
1/2" VHS Format with Carry Case .....	852800
"Safety Is An Attitude" (1/2" VHS) .....	852960
"Safety Rules" Playing Cards .....	852695
<b>Guide For Users Of Industrial Lift Trucks</b> .....	852930

**Please Click Here To Download The Complete Manual**  
**Download Other Manuals**  
**If Having Any Questions Feel Free To Contact us**

**[admin@servicemanualbit.com](mailto:admin@servicemanualbit.com)**