

# **PARTS MANUAL**

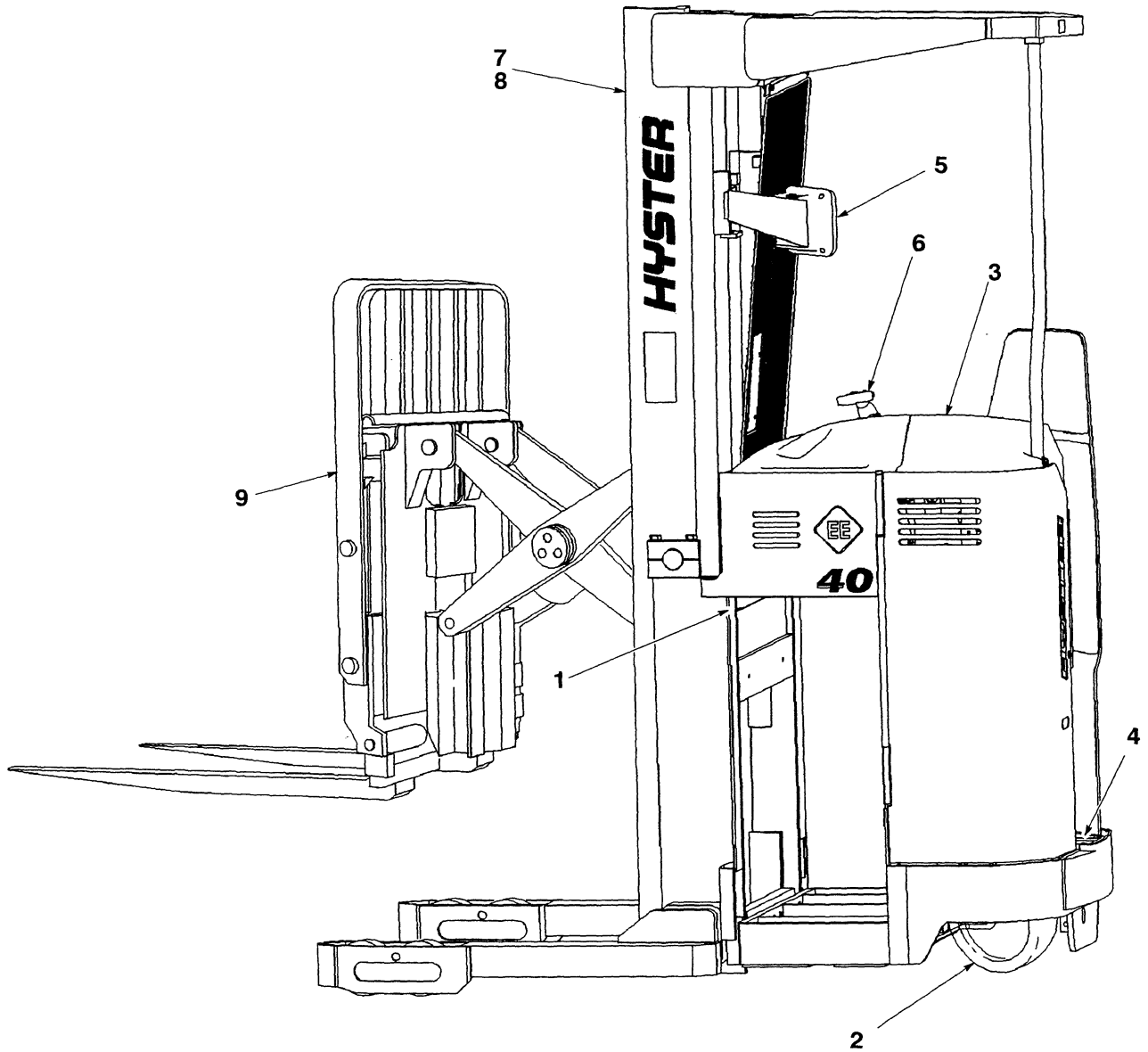
**ELECTRIC  
N30, 40XMR2,  
N25XMDR2  
(B470),  
N50XMA2  
(B471)**

**CUSTOMER EDITION**

# ***HYSTER***



**ILLUSTRATED CONTENTS**



| REF. | DIVISION                                       | PAGE |
|------|--|------|
| 1    | Frame .....                                    | 1    |
| 2    | Drive Unit .....                               | 12   |
| 3    | Steering .....                                 | 24   |
| 4    | Brake System .....                             | 34   |
| 5    | Electrical .....                               | 43   |
| 6    | Hydraulic .....                                | 59   |
| 7    | Mast - Two Stage Limited Free-Lift (LFL) ..... | 75   |
| 8    | Mast - Three Stage Full Free-Lift (LFL) .....  | 85   |
| 9    | Carriage .....                                 | 109  |
| 10   | Options .....                                  | 125  |

**TABLE OF CONTENTS**

| <b>DESCRIPTION</b>   | <b>PAGE NO.</b> |
|--|-----------------|
| BACKREST (Figure 74)<br>FRONT CARRIAGE MOUNT - 48 IN .....   | 135             |
| BACKREST (Figure 73)<br>SIDE REACH MOUNT - 48 IN .....   | 135             |
| BATTERY CONNECTOR (Figure 33) .....  | 58              |
| BATTERY TRAY (Figure 79) .....   | 142             |
| BRAKE (Figure 18) .....  | 38              |
| BRAKE PEDAL AND OPERATOR SENSING SWITCH (Figure 21)<br>FIRST USED ON S/N PENDING PER ECN 83325 ..... | 41              |
| BRAKE PEDAL AND OPERATOR SENSING SWITCH (Figure 20)<br>LAST USED ON S/N PENDING PER ECN 83325 .....  | 40              |
| BRAKE SYSTEM (Figure 17) .....   | 36              |
| CARRIAGE - INNER FRAME (Figure 61) .....   | 118             |
| CARRIAGE - N50XMA (Figure 62) .....  | 120             |
| CARRIAGE - OUTER FRAME - SIDESHIFTER (Figure 58) .....   | 112             |
| CARRIAGE - OUTER FRAME - STANDARD (Figure 57) .....  | 110             |
| CARRIAGE - SCISSOR - 24 IN REACH (Figure 59) .....   | 114             |
| CARRIAGE - SCISSOR - 42 IN REACH (Figure 60) .....   | 116             |
| CASTER WHEEL (Figure 6) .....  | 16              |
| CHAINS, PINS, AND ANCHORS (Figure 52)<br>THREE STAGE FULL FREE-LIFT (FFL) .....                      | 100             |
| CHAINS, PINS, AND ANCHORS (Figure 44)<br>TWO STAGE LIMITED FREE-LIFT (LFL) .....                     | 80              |
| CONTACTOR PANEL - E (Figure 24) .....  | 46              |
| CONTACTOR PANEL - EE (Figure 25) .....   | 48              |
| CONTROL HANDLE (Figure 31) .....   | 56              |
| CONTROL HANDLE ARRANGEMENT (Figure 30) .....   | 54              |
| CONTROL HANDLE MECHANISM (Figure 32) .....   | 57              |
| CYLINDER INSTALLATION (Figure 53)<br>THREE STAGE FULL FREE-LIFT (FFL) .....                          | 102             |

**TABLE OF CONTENTS**

| DESCRIPTION  | PAGE NO. |
|--|----------|
| CYLINDER INSTALLATION (Figure 45)<br>TWO STAGE LIMITED FREE-LIFT (LFL) .....   | 82       |
| DECAL AND PLATE LOCATION (Figure 4) .....  | 10       |
| DRIVE UNIT (Figure 7) .....  | 18       |
| ELECTRICAL ARRANGEMENT (Figure 23) .....   | 44       |
| ELECTRICAL COMPONENTS (Figure 29) .....  | 53       |
| FORKS - HOOK TYPE 1-1/2 × 4 IN (40 MM × 100 MM) (Figure 71) .....  | 134      |
| FORKS - SHAFT TYPE 1-3/4 × 4 IN (45 MM × 100 MM) (Figure 72) .....   | 134      |
| FREE LIFT CYLINDER (Figure 55)<br>THREE STAGE FULL FREE-LIFT (FFL) .....   | 106      |
| HEADER HOSE (Figure 50)<br>THREE STAGE FULL FREE-LIFT (FFL)<br>FIRST USED ON MAST S/N A567-3233, A569-1805, A570D-1967, AND A571-1679 .....                            | 92       |
| HEADER HOSE (Figure 49)<br>THREE STAGE FULL FREE-LIFT (FFL)<br>LAST USED ON MAST S/N A567-32323, A569-1804, A570D-1967, AND A571-1678 .....                            | 88       |
| HEADER HOSE (Figure 68)<br>THREE STAGE FULL FREE-LIFT (FFL) - N50XMA2<br>STANDARD CONFIGURATION - FIRST USED ON MAST S/N A573-1586 .....                               | 130      |
| HEADER HOSE (Figure 67)<br>THREE STAGE FULL FREE-LIFT (FFL) - N50XMA2<br>STANDARD CONFIGURATION - LAST USED ON MAST S/N A573-1585<br>FREEZER CONFIGURATION - ALL ..... | 128      |
| HEADER HOSE (Figure 66)<br>TWO STAGE LIMITED FREE-LIFT (LFL) - N50XMA2 .....   | 126      |
| HOOD AND COVERS FIRST USED ON S/N PENDING ECN 83325 (Figure 2) .....   | 6        |
| HOOD AND COVERS LAST USED ON S/N PENDING ECN 83325 (Figure 1) .....  | 2        |
| HYDRAULIC CONTROL VALVE (Figure 37) .....  | 66       |
| HYDRAULIC CONTROL VALVE AND FITTINGS (Figure 36) .....   | 64       |
| HYDRAULIC MOTOR (Figure 41) .....  | 72       |
| HYDRAULIC PUMP (Figure 40) .....   | 71       |
| HYDRAULIC PUMP AND MOTOR (Figure 39) .....   | 70       |

**TABLE OF CONTENTS**

| <b>DESCRIPTION</b>  | <b>PAGE NO.</b> |
|---|-----------------|
| HYDRAULIC SYSTEM (Figure 35)<br>FIRST USED ON S/N PENDING PER ECN 83176 .....               | 62              |
| HYDRAULIC SYSTEM (Figure 34)<br>LAST USED ON S/N PENDING PER ECN 83176 .....                | 60              |
| HYDRAULIC TANK ASSEMBLY (Figure 38) .....   | 68              |
| INTEGRAL SIDESHIFTER CYLINDER (Figure 65)<br>24 IN AND 42 IN REACH .....                    | 123             |
| LIFT (Figure 43)<br>TWO STAGE LIMITED FREE-LIFT (LFL) .....                                 | 78              |
| LIFT CONTACTOR (Figure 28) .....  | 52              |
| LIFT LIMIT SWITCH (Figure 56)<br>THREE STAGE FULL FREE-LIFT (FFL) .....                     | 108             |
| LIFT LIMIT SWITCH (Figure 47)<br>TWO STAGE LIMITED FREE-LIFT (LFL) .....                    | 84              |
| LIGHTS (Figure 75) .....  | 136             |
| MAIN FREE-LIFT (Figure 51)<br>THREE STAGE FULL FREE-LIFT (FFL) .....                        | 96              |
| MAIN LIFT CYLINDER (Figure 54)<br>THREE STAGE FULL FREE-LIFT (FFL) .....                    | 104             |
| MAIN LIFT CYLINDER (Figure 46)<br>TWO STAGE LIMITED FREE-LIFT (LFL) .....                   | 83              |
| MASTER CYLINDER (Figure 22) .....   | 42              |
| MASTER DRIVE UNIT (Figure 5) .....  | 14              |
| MAST - OUTER AND INNER (Figure 42)<br>TWO STAGE LIMITED FREE-LIFT (LFL) .....               | 76              |
| MAST - OUTER, INTERMEDIATE, AND INNER (Figure 48)<br>THREE STAGE FULL FREE-LIFT (FFL) ..... | 86              |
| OPERATOR GUARD (Figure 3) .....   | 9               |
| OPERATOR LIGHT AND FAN<br>FIRST USED ON S/N B470N02348X (Figure 77) .....                   | 140             |
| OPERATOR LIGHT AND FAN<br>LAST USED ON S/N B470N02348X (Figure 76) .....                    | 138             |

---

**TABLE OF CONTENTS**

| <b>DESCRIPTION</b>  | <b>PAGE NO.</b> |
|---|-----------------|
| POWER STEER ARRANGEMENT (Figure 10) .....                 | 26              |
| POWER STEER CONTACTOR (Figure 26) .....                   | 50              |
| REACH CYLINDER (Figure 63)<br>24 IN AND 42 IN REACH ..... | 121             |
| SIDESHIFT CYLINDER ASSEMBLY (Figure 70) .....             | 133             |
| SIDESHIFTER ASSEMBLY - N50XMA2 (Figure 69) .....          | 132             |
| SLAVE CYLINDER (Figure 19) .....                          | 39              |
| STEER AND AUXILIARY MOTOR - E (Figure 14) .....           | 32              |
| STEER AND AUXILIARY MOTOR - EE (Figure 15) .....          | 33              |
| STEER AND AUXILIARY PUMP (Figure 16) .....                | 34              |
| STEER AND AUXILIARY PUMP AND MOTOR (Figure 13) .....      | 31              |
| STEER CONTROL UNIT (Figure 11) .....                      | 28              |
| STEER MOTOR (Figure 12) .....                             | 30              |
| TANDEM LOAD WHEEL (Figure 78) .....                       | 141             |
| TILT CYLINDER (Figure 64) .....                           | 122             |
| TRACTION CONTACTOR (Figure 27) .....                      | 51              |
| TRACTION MOTOR - 24 V (Figure 8) .....                    | 20              |
| TRACTION MOTOR - 36 V (Figure 9) .....                    | 22              |

## HOW TO USE THE ILLUSTRATED PARTS MANUAL

This parts manual describes and illustrates assemblies, subassemblies, and detail parts needed for service replacement.

The different constructions are indicated by keys, symbols, and footnotes.

**Page 2 SERIAL CODE E138**

**HYSTER**

**TABLE OF CONTENTS**

| DESCRIPTION                             | PAGE  |
|---|-------|
| Accelerator                             | 58-59 |
| Accumulator                             | 34    |
| Auto-Drive                              | 24-25 |
| Auto-Steering                           | 42-43 |
| Brake                                   |       |
| Brake-Park Lever Actuated               |       |
| Brake-Park Steel Keypad                 |       |
| Carriage Side-Grip                      |       |
| Carriage Viste Two-Stage Full Free Lift |       |
| Carriage Viste Two-Stage Full Free Lift |       |

**Page 183 SERIAL CODE E138**

**HYSTER**

**INDEX-NUMERICAL**

| PART NO. | FIGURE NO. | REF. | PART NO. | FIGURE NO. | REF. | PART NO. | FIGURE NO. | REF. | PART NO. | FIGURE NO. | REF. | PART NO. | FIGURE NO. | REF. |
|----------|------------|------|----------|------------|------|----------|------------|------|----------|------------|------|----------|------------|------|
| 368567   | 48         | 1    | 370155   | 42         | 11   | 373128   | 11         | 14   | 373605   | 91         | 34   | 375158   | 3          | 2    |
| 368568   | 48         | 1    | 370250   | 43         | 7    | 373206   | 82         | 14   | 373606   | 22         | 3    | 375159   | 2          | 2    |
| 368569   | 47         | 2    | 370251   | 1          | 7    | 373207   | 82         | 14   | 373607   | 22         | 3    | 375160   | 3          | 3    |
| 368615   | 48         | 1    | 370252   | 1          | 7    | 373211   | 82         | 14   | 373613   | 22         | 4    | 375161   | 2          | 4    |
| 368616   | 54         | 1    | 370253   | 1          | 7    | 373220   | 70         | 1    | 373614   | 22         | 4    | 375162   | 3          | 3    |
| 368618   | 30         | 2    | 370254   | 1          | 7    | 373221   | 66         | 1    | 373615   | 26         | 11   | 375163   | 3          | 3    |
| 368619   | 47         | 2    | 370255   | 1          | 7    | 373222   | 66         | 1    | 373617   | 42         | 11   | 375164   | 3          | 3    |
| 368642   | 48         | 8    | 370256   | 1          | 7    | 373223   | 66         | 1    | 373620   | 43         | 11   | 375165   | 3          | 3    |
| 368643   | 43         | 1    | 370257   | 1          | 7    | 373224   | 66         | 1    |          |            |      |          |            |      |
| 368648   | 36         | 1    | 370258   | 1          | 7    |          |            |      |          |            |      |          |            |      |

**Page 9 SERIAL CODE E138**

**HYSTER**

**MOTOR-TRACTION (Figure 4)**

LAST USED ON PENDING SIN PER EGN 96020

**KEY**

A: 24 Volt-N30-40XMR, N25XMDR, N50XMA  
 B: 36 Volt-N40XMR, N25XMDR, N50XMA  
 C: 36 Volt-N45XMR, N30XMDR

| REF. | PART NO. | NAME OF PART | QTY. | REF. | PART NO. |
|------|----------|--------------|------|------|----------|
|      |          |              |      | 9    | +203204  |
|      |          |              |      | 9    | \$203204 |
|      |          |              |      | 10   | 3287     |
|      |          |              |      | 11   | 3607     |
|      |          |              |      | 12   | 2014     |
|      |          |              |      | 12   | 2032     |
|      |          |              |      | 12   | \$201    |
|      |          |              |      | 12   | \$201    |
|      |          |              |      | 13   | \$201    |
|      |          |              |      | 13   | \$201    |
|      |          |              |      | 14   | \$201    |
|      |          |              |      | 15   | \$201    |
|      |          |              |      | 16   | \$201    |
|      |          |              |      | 17   | \$201    |
|      |          |              |      | 18   | \$201    |
|      |          |              |      | 19   | \$201    |

**Page 1 SERIAL CODE E138**

**HYSTER**

**ILLUSTRATED CONTENTS**

| REF. | DIVISION                 | PAGE |
|------|--------------------------|------|
| 1    | Frame                    | 1    |
| 2    | Master Drive Unit        | 22   |
| 3    | Steering                 | 35   |
| 4    | Brake System             | 44   |
| 5    | Electrical               | 56   |
| 6    | Hydraulic                | 67   |
| 7    | Master-Vista Two Stage   | 72   |
| 8    | Master-Vista Three Stage | 82   |
| 9    | Carriage                 | 96   |
| 10   | Options                  | 102  |



**Please Click Here To Download The Complete Manual**  
**Download Other Manuals**  
**If Having Any Questions Feel Free To Contact us**

**[admin@servicemanualbit.com](mailto:admin@servicemanualbit.com)**