

# **PARTS MANUAL**

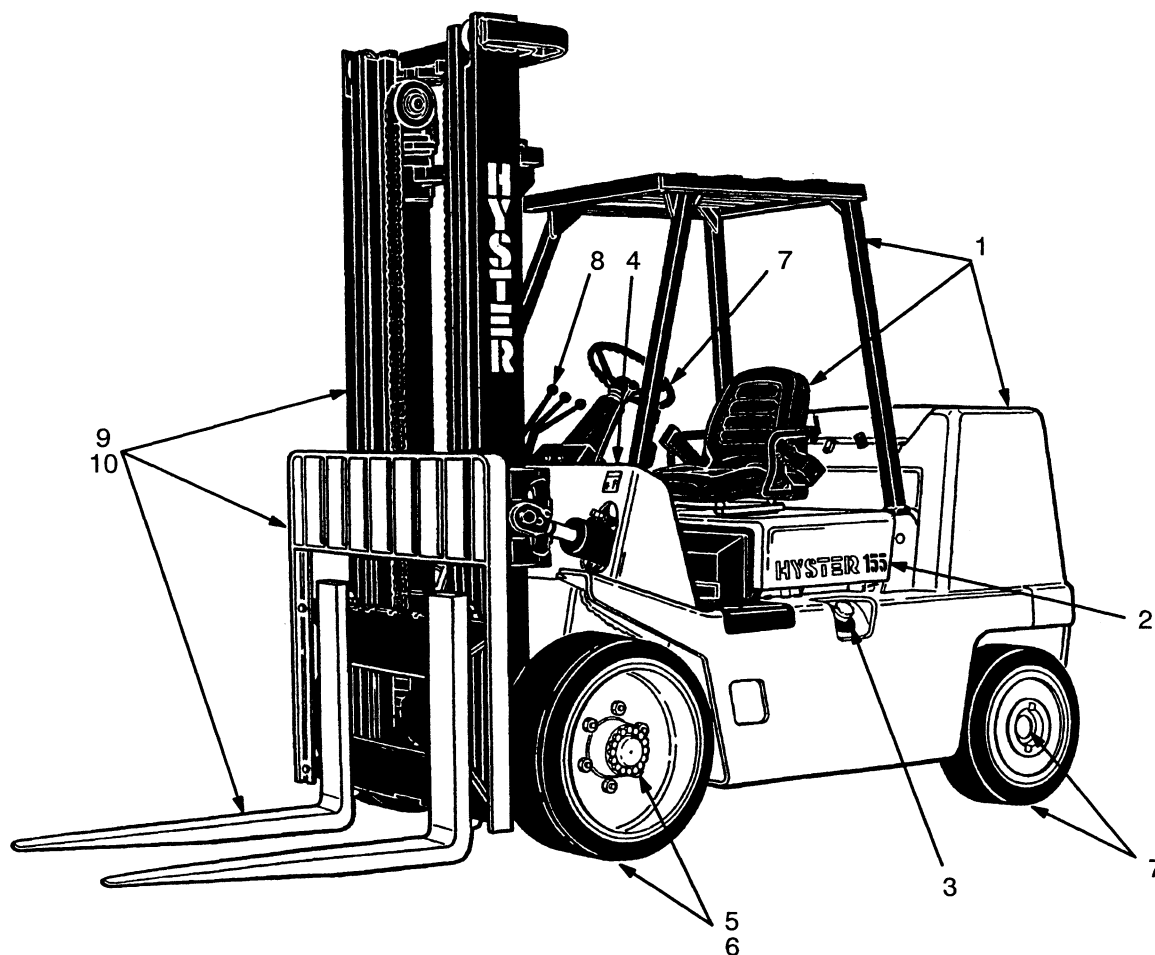
**SPACESAVER  
S135-155XL  
(S6.00-7.00XL)**

**(B024)**

**CUSTOMER EDITION**

# ***HYSTER***

**ILLUSTRATED CONTENTS**



REF	DIVISION	PAGE
1	Frame .....	1
2	Engine .....	13
3	Fuel System .....	121
4	Electrical System .....	175
5	Transmission & Drive Axle .....	263
6	Brake System .....	293
7	Steering System .....	305
8	Hydraulic System .....	318
9	Vista Two-Stage LFL Mast (A513) .....	373
10	Vista Three-Stage FFL Mast (A514) .....	387
11	Optional Equipment .....	407
12	Numerical Index .....	425

## TABLE OF CONTENTS

<u>DESCRIPTION</u>	<u>PAGE</u>
<b>A</b>	
AIR FILTER (Figure 86) LAST USED ON S/N B24D-2267 (EXCEPT 2263) .....	Page 160
AIR FILTER (Figure 87) FIRST USED ON S/N B24D-2268 (INCLUDES 2263) .....	Page 162
ALTERNATOR (Figure 113) DELCO BRAND LAST USED ON S/N B24D-4752 .....	Page 216
ALTERNATOR (Figure 114) GASOLINE, LPG, AND DIESEL FIRST USED ON S/N B24D-4753 .....	Page 220
ALTERNATOR (Figure 115) PRESTOLITE BRAND .....	Page 222
ALTERNATOR MOUNTING (Figure 116) DIESEL 1004.42 WITH LOW EMISSIONS .....	Page 224
AUXILIARY CONTROL VALVE (Figure 195) FIFTH FUNCTION .....	Page 370
<b>B</b>	
BACK-UP ALARM (Figure 219) .....	Page 422
BATTERY DISCONNECT (Figure 107) FIRST USED ON S/N B24D-4072 .....	Page 206
BRAKE BOOSTER (Figure 159) .....	Page 302
BRAKE (Figure 157) .....	Page 298
BRAKE LINES (Figure 160) .....	Page 303
<b>C</b>	
CAMSHAFT AND OIL PAN (Figure 37) GASOLINE AND LPG 4LM 1994 SERIES ENGINE .....	Page 74
CAMSHAFT AND OIL PAN (Figure 38) GASOLINE AND LPG 5LM 1995 SERIES ENGINE .....	Page 76
CAMSHAFT AND OIL PAN (Figure 40) GASOLINE AND LPG 2000 SERIES ENGINE .....	Page 80

**TABLE OF CONTENTS**

<u>DESCRIPTION</u>	<u>PAGE</u>
<b>C (Continued)</b>	
CAMSHAFT AND OIL SUMP GASOLINE AND LPG .....	Page 78
CARBURETOR (Figure 72) LPG .....	Page 143
CARBURETOR (Figure 73) LPG FIRST USED ON S/N B24D-4059 (EXCEPT: B24D-4084, AND INCLUDES B24D-4039) .....	Page 144
CARBURETOR (Figure 75) GASOLINE LAST USED ON S/N B24D-2267 .....	Page 147
CARRIAGE (Figure 200) VISTA TWO-STAGE LFL .....	Page 382
CARRIAGE (Figure 210) VISTA THREE-STAGE FFL .....	Page 402
CLUTCH PACK (Figure 148) POWERSHIFT .....	Page 282
CLUTCH PEDAL (Figure 145) OIL CLUTCH .....	Page 276
CONTROL LINKAGE (Figure 143) OIL CLUTCH .....	Page 272
CONTROL LINKAGE (Figure 151) POWERSHIFT .....	Page 288
CONTROL VALVE ATTACHING TUBES (Figure 192) TWO AND THREE FUNCTION FIRST USED ON S/N B24D-6445 .....	Page 364
CONTROL VALVE ATTACHING TUBES (Figure 194) FOUR AND FIVE FUNCTION FIRST USED ON S/N B24D-6445 .....	Page 368
CONTROL VALVE (Figure 184) TWO FUNCTION LAST USED ON S/N B24D-6444 .....	Page 348
CONTROL VALVE (Figure 186) THREE FUNCTION LAST USED ON S/N B24D-6444 .....	Page 352

## TABLE OF CONTENTS

<u>DESCRIPTION</u>	<u>PAGE</u>
<b>C (Continued)</b>	
CONTROL VALVE (Figure 188) FOUR AND FIVE FUNCTION LAST USED ON S/N B24D-6444 .....	Page 356
CONTROL VALVE Figure 189 TWO AND THREE FUNCTION FIRST USED ON S/N B24D-6445 .....	Page 358
CONTROL VALVE (Figure 190) FOUR AND FIVE FUNCTION FIRST USED ON S/N B24D-6445 .....	Page 360
COOLING (Figure 10) DIESEL (WITH LOW EMISSIONS) FIRST USED ON S/N B24D-5288 .....	Page 22
COOLING (Figure 8) LAST USED ON GASOLINE/LPG S/N B24D-3206 .....	Page 18
COOLING (Figure 9) GASOLINE AND LPG FIRST USED ON S/N B24D-3207 .....	Page 20
COUNTERWEIGHT (Figure 3) .....	Page 5
COWL AND FLOORPLATES (Figure 4) .....	Page 6
COWL HARNESS (Figure 127) GASOLINE AND LPG FIRST USED ON S/N B24D-2263 (LPG) AND B24D-2268 (GASOLINE) .....	Page 242
COWL HARNESS (Figure 128) DIESEL .....	Page 244
CRANKSHAFT AND CAMSHAFT (Figure 34) GASOLINE AND LPG LAST USED ON S/N B24D-2262 (LPG) AND B24D-2267 (GASOLINE) .....	Page 68
CRANKSHAFT AND CAMSHAFT (Figure 35) GASOLINE AND LPG 2KM 1992 SERIES ENGINE FIRST USED ON S/N B24D-2263 (LPG) AND B24D-2268 (GASOLINE) .....	Page 70
CRANKSHAFT AND CAMSHAFT (Figure 36) GASOLINE AND LPG 3KM 1993 SERIES ENGINE .....	Page 72

**TABLE OF CONTENTS**

<u>DESCRIPTION</u>	<u>PAGE</u>
<b>C (Continued)</b>	
CRANKSHAFT AND PISTONS (Figure 45) DIESEL (WITHOUT LOW EMISSIONS) LAST USED ON S/N B24D-5288 .....	Page 86
CRANKSHAFT AND PISTONS (Figure 59) DIESEL (WITH LOW EMISSIONS) FIRST USED ON S/N B24D-5288 .....	Page 112
CYLINDER BLOCK (Figure 16) GASOLINE AND LPG LAST USED ON S/N B24D-2262 (LPG) AND B24D-2267 (GASOLINE) .....	Page 34
CYLINDER BLOCK (Figure 17) GASOLINE AND LPG 2KM 1992 SERIES ENGINE FIRST USED ON S/N B24D-2263 (LPG) AND B24D-2268 (GASOLINE) .....	Page 36
CYLINDER BLOCK (Figure 18) GASOLINE AND LPG 3KM 1993 SERIES ENGINE .....	Page 38
CYLINDER BLOCK (Figure 19) GASOLINE AND LPG 4LM 1994 SERIES ENGINE .....	Page 40
CYLINDER BLOCK (Figure 20) GASOLINE AND LPG 5LM 1995 SERIES ENGINE .....	Page 42
CYLINDER BLOCK (Figure 22) GASOLINE AND LPG 2000 SERIES ENGINE .....	Page 46
CYLINDER BLOCK (Figure 43) DIESEL (WITHOUT LOW EMISSIONS) LAST USED ON S/N B24D-5288 .....	Page 84
CYLINDER BLOCK (Figure 57) DIESEL (WITH LOW EMISSIONS) FIRST USED ON S/N B24D-5288 .....	Page 108
CYLINDER BLOCK PETROL AND LPG .....	Page 44
CYLINDER HEAD (Figure 23) GASOLINE AND LPG LAST USED ON S/N B24D-2262 (LPG) AND B24D-2267 (GASOLINE) .....	Page 48

## TABLE OF CONTENTS

<u>DESCRIPTION</u>	<u>PAGE</u>
<b>C (Continued)</b>	
CYLINDER HEAD (Figure 24) GASOLINE AND LPG 2KM 1992 SERIES ENGINE FIRST USED ON S/N B24D-2263 (LPG) AND B24D-2268 (GASOLINE) .....	Page 50
CYLINDER HEAD (Figure 25) GASOLINE AND LPG 3KM 1993 SERIES ENGINE .....	Page 52
CYLINDER HEAD (Figure 26) GASOLINE AND LPG 4LM 1994 SERIES ENGINE .....	Page 54
CYLINDER HEAD (Figure 27) GASOLINE AND LPG 5LM 1995 SERIES ENGINE .....	Page 55
CYLINDER HEAD (Figure 29) GASOLINE AND LPG 2000 series engine .....	Page 58
CYLINDER HEAD (Figure 46) DIESEL (WITHOUT LOW EMISSIONS) LAST USED ON S/N B24D-5288 .....	Page 88
CYLINDER HEAD (Figure 58) DIESEL (WITH LOW EMISSIONS) FIRST USED ON S/N B24D-5288 .....	Page 110
CYLINDER HEAD PETROL AND LPG .....	Page 56
<b>D (Continued)</b>	
DIFFERENTIAL AND CARRIER (Figure 150) POWERSHIFT .....	Page 286
DIFFERENTIAL (Figure 141) OIL CLUTCH .....	Page 270
DISTRIBUTOR (Figure 122) LAST USED ON S/N B24D-2262 (LPG) AND B24D-2267 (GASOLINE) .....	Page 236
DISTRIBUTOR (Figure 123) .....	Page 238
DISTRIBUTOR (Figure 124) .....	Page 239
DRIVE AXLE (Figure 154) .....	Page 292

**TABLE OF CONTENTS**

<u>DESCRIPTION</u>	<u>PAGE</u>
<b>E</b>	
ELECTRICAL (Figure 100) GASOLINE (SHEET 1 OF 2) USED ON S/N B24D-5563 THRU S/N B24D-6153 .....	Page 192
ELECTRICAL (Figure 101) GASOLINE (SHEET 2 OF 2) USED ON S/N B24D-5563 THRU S/N B24D-6153 .....	Page 194
ELECTRICAL (Figure 102) GASOLINE (SHEET 1 OF 2) FIRST USED ON S/N B24D-6154 .....	Page 196
ELECTRICAL (Figure 103) GASOLINE (SHEET 2 OF 2) FIRST USED ON S/N B24D-6154 .....	Page 198
ELECTRICAL (Figure 104) LPG (SHEET 1 OF 2) FIRST USED ON S/N B24B-5563 .....	Page 200
ELECTRICAL (Figure 105) LPG (SHEET 2 OF 2) FIRST USED ON S/N B24B-5563 .....	Page 202
ELECTRICAL (Figure 106) DIESEL .....	Page 204
ELECTRICAL (Figure 94) GASOLINE & LPG LAST USED ON S/N B24D-2262 (LPG) AND B24D-2267 (GASOLINE) .....	Page 178
ELECTRICAL (Figure 95) GASOLINE & LPG USED ON S/N B24D-2263 (LPG) AND B24D-2268 (GASOLINE) ⇒ B24D-4058 (INCLUDES 4084 AND EXCEPT 4039) .....	Page 180
ELECTRICAL (Figure 96) GASOLINE (USED WITH Figure 95 AND Figure 97) USED ON S/N B24D-2268 ⇒ B24D-4058 (INCLUDES 4084 AND EXCLUDES 4039) .....	Page 182
ELECTRICAL (Figure 97) GASOLINE AND LPG USED ON S/N B24D-4059 (EXCEPT S/N B24D-4084 AND INCLUDES S/N B24D-4039) ⇒ S/N B24D-5562 .....	Page 186
ELECTRICAL (Figure 98) LPG (USED WITH Figure 95 AND Figure 97) USED ON S/N B24D-2263 ⇒ B24D-4058 (INCLUDES 4084 AND EXCEPT 4039) .....	Page 188



## TABLE OF CONTENTS

<u>DESCRIPTION</u>	<u>PAGE</u>
<b>E (Continued)</b>	
ELECTRICAL (Figure 99) LPG (USED WITH Figure 95 AND Figure 97) USED ON S/N B24D-4059 (EXCEPT S/N B24D-4084 AND INCLUDES S/N B24D-4039) THRU S/N B24D-5562 .....	Page 190
ENGINE HARNESS (Figure 134) GASOLINE FIRST USED ON S/N B24D-6154 .....	Page 256
ENGINE MOUNTS (Figure 14) .....	Page 30
EXHAUST (Figure 12) COUNTERWEIGHT .....	Page 26
EXHAUST (Figure 13) OVERHEAD .....	Page 28
<b>F</b>	
FILTER-LOCK-OFF (Figure 77) LPG .....	Page 150
FIRE EXTINGUISHER (Figure 218) .....	Page 421
FLYWHEEL HOUSING (Figure 15) .....	Page 32
FORKS (Figure 202) VISTA TWO-STAGE LFL IDENTIFY BY PART NUMBER .....	Page 385
FORKS (Figure 212) VISTA THREE-STAGE FFL IDENTIFY BY PART NUMBER .....	Page 405
FREE LIFT (Figure 207) VISTA THREE-STAGE FFL .....	Page 396
FUEL (Figure 63) LPG LAST USED ON S/N B24D-2262 .....	Page 124
FUEL (Figure 65) LPG FIRST USED ON S/N B24D-4059 (EXCEPT: B24D-4084, AND INCLUDES B24D-4039) .....	Page 128
FUEL (Figure 66) GASOLINE LAST USED ON S/N B24D-2267 .....	Page 130

**TABLE OF CONTENTS**

<b>DESCRIPTION</b>	<b>PAGE</b>
<b>F (Continued)</b>	
FUEL (Figure 67) GASOLINE FIRST USED ON S/N B24D-2268 .....	Page 132
FUEL SYSTEM (Figure 64) LPG USED ON S/N B24D-2263 ⇒ B24D-4058 (INCLUDING B24D-4084) AND EXCEPT B24D-4039 .....	Page 126
FUEL TANK BRACKET (Figure 69) LPG .....	Page 136
FUEL TANK (Figure 68) LPG .....	Page 134
FUEL TANK (Figure 70) LAST USED ON S/N B24D-2267 .....	Page 138
FUEL TANK (Figure 71) FIRST USED ON S/N B24D-2268 .....	Page 140
<b>G</b>	
GAUGE CLUSTER (Figure 111) .....	Page 214
GAUGE CLUSTER (Figure 112) .....	Page 215
GOVERNOR (Figure 74) .....	Page 146
<b>H</b>	
HEADER HOSE (Figure 213) VISTA TWO-STAGE LFL .....	Page 408
HEADER HOSE (Figure 214) VISTA THREE-STAGE FFL .....	Page 410
HIGH PRESSURE FUEL INJECTION & PUMP (Figure 90) DIESEL (WITH LOW EMISSIONS) FIRST USED ON S/N B24D-5288 .....	Page 168
HIGH PRESSURE FUEL INJECTION (Figure 89) DIESEL (WITHOUT LOW EMISSIONS) LAST USED ON S/N B24D-5287 .....	Page 166
HOOD (Figure 2) .....	Page 4
HYDRAULIC FILTER (Figure 177) .....	Page 336

## TABLE OF CONTENTS

<u>DESCRIPTION</u>	<u>PAGE</u>
<b>H (Continued)</b>	
HYDRAULIC LINES (Figure 167) LAST USED ON S/N B24D-2456 .....	Page 320
HYDRAULIC LINES (Figure 168) USED ON S/N B24D-2457 ⇒ S/NB24D-6215 .....	Page 322
HYDRAULIC PUMP (Figure 171) ATTACHING PARTS .....	Page 328
HYDRAULIC PUMP (Figure 172) .....	Page 329
HYDRAULIC SYSTEM (Figure 169) FIRST USED ON S/NB24D-6215 .....	Page 324
HYDRAULIC SYSTEM (Figure 170) STEERING HYDRAULICS FIRST USED ON S/NB24D-6215 .....	Page 326
HYDRAULIC TANK (Figure 176) LAST USED ON S/NB24D-6215 .....	Page 335
<b>I</b>	
INJECTOR (Throttle Body) (Figure 76) FIRST USED ON S/N B24D-2268 (GASOLINE) .....	Page 148
INNER MAST (Figure 197) VISTA TWO-STAGE LFL .....	Page 376
INNER MAST (Figure 205) VISTA THREE-STAGE FFL .....	Page 392
INSTRUMENT PANEL (Figure 108) LAST USED ON S/N B24D-1751 (ALSO B24D-1866) .....	Page 208
INSTRUMENT PANEL (Figure 109) USED ON S/N B24D-1752 (EXCEPT 1866) ⇒ B24D-2262 (LPG) AND B24D-2267 (GASOLINE) .....	Page 210
INSTRUMENT PANEL (Figure 110) FIRST USED ON S/N B24D-2263 (LPG) AND B24D-2268 (GASOLINE)	Page 212
INTERMEDIATE MAST (Figure 204) VISTA THREE-STAGE FFL .....	Page 390
<b>L</b>	
LABELS (Figure 1) .....	Page 2

**TABLE OF CONTENTS**

<b>DESCRIPTION</b>	<b>PAGE</b>
<b>L (Continued)</b>	
LIFT CYLINDER (Figure 199) VISTA TWO-STAGE LFL .....	Page 380
LIFT CYLINDER (FREE LIFT) (Figure 209) VISTA THREE-STAGE FFL .....	Page 400
LIFT CYLINDER (MAIN) (Figure 208) VISTA THREE-STAGE FFL .....	Page 398
LIFT (Figure 198) VISTA TWO-STAGE LFL .....	Page 378
LIFT PUMP (Figure 84) DIESEL (WITHOUT LOW EMISSIONS) LAST USED ON S/N B24D-5287 .....	Page 158
LIFT PUMP (Figure 85) DIESEL (WITH LOW EMISSIONS) FIRST USED ON S/N B24D-5288 .....	Page 159
LIGHTS (Figure 215) .....	Page 414
LOAD BACKREST EXTENSION (Figure 201) VISTA TWO-STAGE LFL .....	Page 384
LOAD BACKREST EXTENSION (Figure 211) VISTA THREE-STAGE FFL .....	Page 404
LOW PRESSURE FUEL INJECTION (Figure 92) DIESEL (WITH LOW EMISSIONS) FIRST USED ON S/N B24D-5288 .....	Page 172
LOW PRESSURE FUEL LINES (Figure 91) DIESEL (WITHOUT LOW EMISSIONS) LAST USED ON S/N B24D-5287 .....	Page 170
LPG CONVERTER (Figure 78) LAST USED ON S/N B24D-2908 .....	Page 151
LPG CONVERTER (Figure 79) USED ON S/N B24D-2909 THRU S/N B24D-5105 .....	Page 152
LPG CONVERTER (Figure 80) FIRST USED ON S/N B24D-5106 .....	Page 153

## TABLE OF CONTENTS

<u>DESCRIPTION</u>	<u>PAGE</u>
<b>M</b>	
MAIN LIFT (Figure 206) VISTA THREE-STAGE FFL .....	Page 394
MANIFOLDS (Figure 52) DIESEL (WITHOUT LOW EMISSIONS) LAST USED ON S/N B24D-5288 .....	Page 98
MANIFOLDS (Figure 53) DIESEL (WITH LOW EMISSIONS) FIRST USED ON S/N B24D-5288 .....	Page 100
MONOTROL PEDAL (Figure 88) .....	Page 165
<b>O</b>	
OIL CLUTCH (Figure 144) .....	Page 274
OIL FILTER (Figure 50) DIESEL (WITHOUT LOW EMISSIONS) LAST USED ON S/N B24D-5288 .....	Page 96
OIL FILTER (Figure 51) DIESEL (WITH LOW EMISSIONS) FIRST USED ON S/N B24D-5288 .....	Page 97
OIL PAN AND PUMP (Figure 61) DIESEL (WITH LOW EMISSIONS) FIRST USED ON S/N B24D-5288 .....	Page 116
OIL PAN (Figure 48) DIESEL (WITHOUT LOW EMISSIONS) LAST USED ON S/N B24D-5288 .....	Page 92
OIL PUMP (Figure 41) GASOLINE AND LPG LAST USED ON 3KM 1993 SERIES ENGINE .....	Page 82
OIL PUMP (Figure 42) GASOLINE AND LPG 4LM 1994, 5LM 1995, 6LX 1996-2000 SERIES ENGINE .....	Page 83
OUTER MAST (Figure 196) VISTA TWO-STAGE LFL .....	Page 374
OUTER MAST (Figure 203) VISTA THREE-STAGE FFL .....	Page 388
OVERHEAD GUARD (Figure 7) .....	Page 12

**TABLE OF CONTENTS**

<u>DESCRIPTION</u>	<u>PAGE</u>
<b>P</b>	
PARK BRAKE (Figure 158) .....	Page 300
PEDAL LINKAGE (Figure 155) POWERSHIFT .....	Page 294
PEDAL LINKAGE (Figure 156) OIL CLUTCH .....	Page 296
PUMP ADAPTER (Figure 175) DIESEL .....	Page 334
<b>S</b>	
SEAT (Figure 5) LPG WITH OPERATOR RESTRAINT .....	Page 8
SEAT (Figure 6) GASOLINE AND DIESEL WITH OPERATOR RESTRAINT .....	Page 10
SERPENTINE BELT DRIVE Figure 11 GASOLINE AND LPG FIRST USED ON S/N B24D-4059 (EXCEPT B24D-4084 AND INCLUDES B24D-4039) .....	Page 24
STARTER (Figure 117) GASOLINE AND LPG LAST USED ON S/N PENDING PER ECN 59943 .....	Page 226
STARTER (Figure 118) GASOLINE AND LPG USED ON S/N PENDING PER ECN 59943 ⇒ S/N B24D-4058 (INCLUDING S/N B24D-4084 AND EXCEPT S/N B24D-4039) .....	Page 228
STARTER (Figure 119) GASOLINE AND LPG FIRST USED ON S/N B24D-4059 (EXCEPT S/N B24D-4084 AND INCLUDES S/N B24D-4039) .....	Page 230
STARTER (Figure 120) DIESEL .....	Page 232
STARTER Figure 121 DIESEL OPTIONAL .....	Page 233
STEERING AXLE (Figure 165) .....	Page 314
STEERING COLUMN (Figure 161) LAST USED ON S/N B24D-1897 .....	Page 306

## TABLE OF CONTENTS

<u>DESCRIPTION</u>	<u>PAGE</u>
<b>S (Continued)</b>	
STEERING COLUMN (Figure 162) USED ON S/N B24D-1898 ⇒ S/N B24D-2456 .....	Page 308
STEERING COLUMN (Figure 163) FIRST USED ON S/N B24D-2457 .....	Page 310
STEERING CONTROL UNIT (Figure 164) .....	Page 313
STEERING CYLINDER (Figure 166) .....	Page 316
STEERING PUMP (Figure 173) LAST USED ON S/NB24D-6215 .....	Page 330
STEERING PUMP (Figure 174) FIRST USED ON S/NB24D-6215 .....	Page 332
STROBE LIGHT (Figure 216) MEDIUM INTENSITY .....	Page 416
STROBE LIGHT (Figure 217) HIGH INTENSITY .....	Page 418
<b>T</b>	
THROTTLE LINKAGE (Figure 81) .....	Page 154
THROTTLE PEDAL (Figure 82) OIL CLUTCH AND POWERSHIFT WITH F/R LEVER .....	Page 156
THROTTLE PEDAL (Figure 83) POWERSHIFT WITH MONOTROL PEDAL .....	Page 157
TILT CYLINDER (Figure 178) .....	Page 338
TIMING GEAR (Figure 47) DIESEL (WITHOUT LOW EMISSIONS) LAST USED ON S/N B24D-5288 .....	Page 90
TIMING GEAR (Figure 60) DIESEL (WITH LOW EMISSIONS) FIRST USED ON S/N B24D-5288 .....	Page 114
TORQUE CONVERTER (Figure 152) POWERSHIFT .....	Page 290
TRANSMISSION CONTROL VALVE (Figure 149) POWERSHIFT .....	Page 284

**TABLE OF CONTENTS**

<u>DESCRIPTION</u>	<u>PAGE</u>
<b>T (Continued)</b>	
TRANSMISSION (Figure 139) OIL CLUTCH .....	Page 266
TRANSMISSION (Figure 146) POWERSHIFT .....	Page 278
TRANSMISSION GEARS (Figure 140) OIL CLUTCH .....	Page 268
TRANSMISSION GEARS (Figure 147) POWERSHIFT .....	Page 281
TRANSMISSION HYDRAULIC (Figure 179) OIL CLUTCH .....	Page 340
TRANSMISSION HYDRAULIC (Figure 181) LAST USED ON S/N B24D-5773 POWERSHIFT .....	Page 344
TRANSMISSION HYDRAULIC (Figure 182) FIRST USED ON S/N B24D-5774 POWERSHIFT .....	Page 345
TRANSMISSION PUMP (Figure 180) OIL CLUTCH .....	Page 342
<b>U</b>	
UNIVERSAL JOINT (Figure 142) OIL CLUTCH .....	Page 271
UNIVERSAL JOINT (Figure 153) POWERSHIFT .....	Page 291
<b>V</b>	
VALVE ATTACHING PARTS WITH FITTINGS (Figure 191) TWO AND THREE FUNCTION FIRST USED ON S/N B24D-6445 .....	Page 362
VALVE ATTACHING PARTS WITH FITTINGS (Figure 193) FOUR AND FIVE FUNCTION FIRST USED ON S/N B24D-6445 .....	Page 366
VALVE COVER AND INLET MANIFOLD (Figure 33) GASOLINE AND LPG 2000 SERIES ENGINE .....	Page 66
VALVE COVER AND INLET MANIFOLD GASOLINE AND LPG .....	Page 64



## TABLE OF CONTENTS

<u>DESCRIPTION</u>	<u>PAGE</u>
<b>V (Continued)</b>	
VALVE COVER AND ROCKER SHAFT (Figure 62) DIESEL (WITH LOW EMISSIONS) FIRST USED ON S/N B24D-5288 .....	Page 118
VALVE COVER (Figure 49) DIESEL (WITHOUT LOW EMISSIONS) LAST USED ON S/N B24D-5288 .....	Page 94
VALVE COVERS AND INLET MANIFOLD (Figure 30) GASOLINE AND LPG 4LM 1994 SERIES ENGINE .....	Page 60
VALVE COVERS AND INLET MANIFOLD (Figure 31) GASOLINE AND LPG 5LM 1995 SERIES ENGINE .....	Page 62
VALVE/ATTACHING PARTS (Figure 183) TWO FUNCTION LAST USED ON S/N B24D-6444 .....	Page 346
VALVE/ATTACHING PARTS (Figure 185) THREE FUNCTION LAST USED ON S/N B24D-6444 .....	Page 350
VALVE/ATTACHING PARTS (Figure 187) FOUR AND FIVE FUNCTION LAST USED ON S/N B24D-6444 .....	Page 354
<b>W</b>	
WATER FILTER AND SEPARATOR (Figure 93) DIESEL .....	Page 174
WATER PUMP (Figure 54) DIESEL (WITHOUT LOW EMISSIONS) LAST USED ON S/N B24D-5288 .....	Page 102
WATER PUMP (Figure 55) DIESEL (WITH LOW EMISSIONS) FIRST USED ON S/N B24D-5288, LAST USED ON ENGINE S/N U892125D .....	Page 104
WATER PUMP (Figure 56) DIESEL (WITH LOW EMISSIONS) FIRST USED ON ENGINE S/N U892126D .....	Page 106
WIRE HARNESS (Figure 125) GOVERNOR USED ON S/N B24D-2263 (LPG) AND B24D-2268 (GAS) ⇒ S/N B24D-2537 .....	Page 240

**TABLE OF CONTENTS**

<u>DESCRIPTION</u>	<u>PAGE</u>
<b>W (Continued)</b>	
WIRE HARNESS (Figure 126) GOVERNOR FIRST USED ON S/N B24D-2538 .....	Page 241
WIRE HARNESS (Figure 129) LPG ENGINE USED ON S/N B24D-2263 ⇒ B24D-5048 (INCLUDES 4084, AND EXCEPT 4039) .....	Page 246
WIRE HARNESS (Figure 130) LPG ENGINE USED ON S/N B24D-4059 (EXCEPT S/N B24D-4084 AND INCLUDES S/N B24D-4039) ⇒ S/N PENDING PER ECN 73001 .....	Page 248
WIRE HARNESS (Figure 131) LPG ENGINE FIRST USED ON S/N PENDING PER ECN 73001 .....	Page 250
WIRE HARNESS (Figure 132) GASOLINE (1 OF 2) USED ON S/N B24D-2268 THRU S/N B24D-6153 .....	Page 252
WIRE HARNESS (Figure 133) GASOLINE (2 OF 2) USED ON S/N B24D-2268 THRU S/N B24D-6153 .....	Page 254
WIRE HARNESS (Figure 136) NEUTRAL START - WITH MONOTROL PEDAL FIRST USED ON S/N B24D-2263 (LPG) AND B24D-2268 (GASOLINE) .....	Page 260
WIRE HARNESS (Figure 137) NEUTRAL START - WITH FORWARD/REVERSE LEVER FIRST USED ON S/N B24D-2263 (LPG) AND B24D-2268 (GASOLINE) .....	Page 261
WIRE HARNESS (Figure 138) OIL CLUTCH FIRST USED ON S/N B24D-2263 (LPG) AND B24D-2268 (GASOLINE) .....	Page 262



**ABBREVIATIONS QUICK REFERENCE SHEET**

Listed Below Are Abbreviations Used In Parts Manuals To Denote The Following Expressions:

2-STG	Two Stage Mast
3-STG	Three Stage Mast
4-STG	Four Stage Mast
Amp	Amperes
AR	As Required
BCS	Box Car Special
BWI	Brush Wear Indicator
CE	Commutator End
CRE	Corrosive Environment
dbA	Decibel "A" Scale
DE	Drive End
EC or ECH	Empty Container Handler Europe Empty Container Handler U.S.
EC-3 ECH-3	Empty Container Handler-3 High Stacking
EC-4 ECH-4	Empty Container Handler-4 High Stacking
EC-5 ECH-5	Empty Container Handler-5 High Stacking
EC-6 ECH-6	Empty Container Handler-6 High Stacking
EC-7 ECH-7	Empty Container Handler-7 High Stacking
ECM	Electronic Control Module
ECN	Engineering Change Notice
EEPROM	Electrically Erasable Programable Read Only Memory
EPROM	Electrically Programable Read Only Memory
FFL	Full Free Lift
FLT	Fork Lift Truck
FRE	Freezer Environment
in.	inches
LFL	Limited Free Lift
LPG	Liquified Petroleum Gas
MAP	Manifold Absolute Pressure
mm	millimeters
MSTS	Microprocessor Spark Timing System

NC	Normally Closed
NDE	Not Drive End (Commutator End)
NFL	No Free Lift
NI	Not Illustrated
NO	Normally Open
NPT	National Pipe Threads
NS	Neutral Start
O/S	Oversize
OC	Oil Clutch Transmission
PS	Powershift Transmission
PTO	Power Take Off
RPM	Revolutions per Minute
S/N	Serial Number
SFL	Semi-Free Lift
TMM	Truck Management Module
Type D	UL Type D, Diesel-Powered Safety Rating
Type DS	UL Type DS, Diesel-Powered Safety Rating
Type E	UL Type E, Battery Powered Safety Rating
Type EE	UL Type EE, Battery-Powered Safety Rating
Type ES	UL Type ES, Battery-Powered Safety Rating
Type G	UL Type G, Gasoline-Powered Safety Rating
Type GS	UL Type GS, Gasoline-Powered Safety Rating
Type LP	UL Type LP, LP Gas-Powered Safety Rating
Type LPS	UL Type LPS, LP Gas-Powered Safety Rating
U/S	Undersize
UL	Underwriters Laboratory
UK	United Kingdom
U.S.	United States
V	Volts
Xmsn	Transmission

**Please Click Here To Download The Complete Manual**  
**Download Other Manuals**  
**If Having Any Questions Feel Free To Contact us**

**[admin@servicemanualbit.com](mailto:admin@servicemanualbit.com)**