

PARTS MANUAL

CHALLENGER

**H170-280HD
(G007)**

CUSTOMER EDITION

HYSTER

SECTIONS

1	FRAME
2	ENGINE ASSEMBLY
3	FUEL SYSTEM
4	ELECTRICAL SYSTEM
5	TRANSMISSION
6	DRIVE AXLE
7	STEERING SYSTEM
8	BRAKE SYSTEM
9	HYDRAULIC SYSTEM
10	MAST-TWO STAGE LIMITED FREE-LIFT
11	MAST-THREE STAGE FULL FREE-LIFT
12	ATTACHMENTS
13	OPTIONS
14	NUMERICAL INDEX

This Parts Manual is divided into 14 major sections which are listed above. Quick reference to these sections can be made by placing the right thumb on the tab of the desired section, bending the book back and thumbing the pages to the corresponding tab.

TABLE OF CONTENTS

DESCRIPTION	PAGE
A	
ACCUMULATOR	
PISTON TYPE	9-6
AIR COMPRESSOR	
PERKINS, SHEET 1 OF 2	2-26
PERKINS, SHEET 2 OF 2	2-28
AIR COMPRESSOR AND ATTACHING PARTS	
PERKINS	2-24
AIR CONDITIONING SYSTEM	
CUMMINS.....	1-36
PERKINS	1-34
AIR DRYER AND ATTACHING PARTS	2-22
AIR DUCT AND ACCESSORIES	
CAB.....	1-58
AIR FILTER	
WITH ASPIRATED PRE-CLEANER	3-22
WITHOUT ASPIRATED PRE-CLEANER.....	3-18
ALTERNATOR AND PULLEY	
PERKINS	4-14
ALTERNATOR BRACKET AND ATTACHING PARTS	
PERKINS	4-12
ARMREST	
PIVOT-UP	1-64
AUXILIARY DRIVE GEAR	
PERKINS	2-58
AUXILIARY PUMP DRIVE.....	5-28
AXLE HOUSING AND ATTACHING PARTS.....	6-10
B	
BLANKING PLATE AND PLUGS	
PERKINS	2-62
BLANKING PLUG, OIL FEED AND HOSES	
PERKINS	2-60
BRAKE ACCUMULATOR	8-10
BRAKE ASSEMBLY	
DRY BRAKE	8-14
WET BRAKE.....	8-12
BRAKE CHAMBER	8-16
BRAKE SYSTEM	
DRY	8-6
WET	8-2
BRAKE VALVE	
DRY BRAKE	8-20
WET BRAKE.....	8-18
C	
CAB AND ATTACHING PARTS	1-12
CAB AND TILT CYLINDER MOUNTING.....	1-20
CAB HARDWARE AND CONTROL COVER.....	1-54
CAB MOUNTED DRIVE LIGHTS	13-10
CAMSHAFT AND ROCKER ASSEMBLY	

TABLE OF CONTENTS (Continued)

DESCRIPTION	PAGE
C (continued)	
PERKINS	2-40
CARRIAGE	
FOUR, FIVE, AND SIX FUNCTION	
THREE STAGE FULL FREE-LIFT	11-16
CARRIAGE	
INDIVIDUAL FORK POSITIONER (FOUR FUNCTION)	
THREE STAGE FULL FREE-LIFT	11-18
TWO STAGE LIMITED FREE-LIFT	10-20
SIMULTANEOUS FORK POSITIONER (THREE FUNCTION)	
THREE STAGE FULL FREE-LIFT	11-20
TWO STAGE LIMITED FREE-LIFT	10-24
THREE FUNCTION	
THREE STAGE FULL FREE-LIFT	11-14
THREE FUNCTION WITHOUT HOSE GROUP	
TWO STAGE LIMITED FREE-LIFT	10-14
WITH HOSE GROUP	
TWO STAGE LIMITED FREE-LIFT	10-16
CHARGE PUMP AND FILTER ASSEMBLY	5-12
CONDENSOR	1-44
CONTROL LEVER	9-26
CONTROL VALVE	9-16
CONTROL VALVE ASSEMBLY	5-8
CONTROL VALVE MOUNT	5-10
COOLING	
CUMMINS.....	2-14
PERKINS	2-10
COUNTERWEIGHT	1-10
CRANKSHAFT AND MAIN BEARINGS	
PERKINS	2-36
CYLINDER BLOCK	
PERKINS	2-30
CYLINDER HEAD	
PERKINS	2-32
CYLINDER HEAD COVER	
PERKINS	2-34
D	
DASH DISPLAY	
CAB.....	1-60
DIFFERENTIAL AND CARRIER	
DRY BRAKE	6-6
WET BRAKE.....	6-2
DIRECTIONAL CONTROL VALVE	12-38
DRIVE GEAR	5-26
DRIVE PLATE.....	5-38

TABLE OF CONTENTS (Continued)

DESCRIPTION	PAGE
E	
ELECTRICAL PUMP	
CAB TILT.....	1-28
ELECTRICAL SYSTEM	
CUMMINS.....	4-6
PERKINS	4-2
ELECTRONIC CONTROL MODULE AND MOUNTING	
PERKINS	2-80
ENGINE ASSEMBLY	2-4
ENGINE BLOCK HEATER	2-20
ENGINE LIFTING EYES	
PERKINS	2-78
ENGINE MOUNT	
CUMMINS.....	2-18
PERKINS	2-17
EXHAUST	
CUMMINS.....	2-8
PERKINS	2-6
F	
FAN DRIVE AND PULLEY	
PERKINS	2-56
FLOOR PLATES AND COVERS	1-8
FLYWHEEL AND STARTER RING	
PERKINS	2-88
FLYWHEEL HOUSING	
PERKINS	2-86
FORK POSITIONING CYLINDER.....	10-28
FORKS	
IDENTIFY BY PART NUMBER	12-36
FORWARD CLUTCH.....	5-24
FREE-LIFT CYLINDER	
THREE STAGE FULL FREE-LIFT	11-10
FRONT DRIVE PULLEY	
PERKINS	2-54
FRONT, BACK-UP, TAIL, AND SIDE LIGHTS	13-6
FUEL FILTER ASSEMBLY	
PERKINS	3-16
FUEL INJECTION PUMP AND GEAR	
PERKINS	3-6
FUEL INJECTION SUPPLY AND RETURN LINES	
PERKINS	3-10
FUEL SYSTEM	
CUMMINS.....	3-4
PERKINS	3-2
G	
GEAR CLUTCH INSTALLATION	5-30
GENERAL TRUCK	1-2

TABLE OF CONTENTS (Continued)

DESCRIPTION	PAGE
H	
HAND PUMP	
CAB TILT.....	1-26
HEADER HOSE	
THREE STAGE FULL FREE-LIFT	11-12
TWO STAGE LIMITED FREE-LIFT.....	10-30
HEATER AND AIR CONDITIONER ASSEMBLY.....	1-42
HEATER AND AIR CONDITIONER ATTACHMENT.....	1-38
HEATER ASSEMBLY	1-40
HEATER HOSE ARRANGEMENT	
CUMMINS.....	1-32
PERKINS	1-30
HIGH PRESSURE FUEL PIPES	
PERKINS	3-8
HOOD.....	1-4
HUB AND SHAFT ASSEMBLY	
DRY BRAKE	6-14
WET BRAKE.....	6-12
HYDRAULIC PUMP	
TURBO	9-10
HYDRAULIC SUPPLY AND RETURN.....	9-2
HYDRAULIC TANK AND ATTACHING PARTS.....	9-8
HYDRAULIC VALVE AND ATTACHING PARTS	9-12
I	
IDLER GEAR	
PERKINS	2-52
IDLER SHAFT	
REVERSE.....	5-22
INCHING PEDAL AND ACCESSORIES	
CAB.....	1-56
INNER MAST	
TWO STAGE LIMITED FREE-LIFT.....	10-4
J	
JOYSTICK CONTROL.....	9-24
L	
LABELS.....	1-52
LIFT	
TWO STAGE LIMITED FREE-LIFT.....	10-6
LIFT ACCUMULATOR AND ATTACHING PARTS	9-4
LIFT PUMP AND FUEL FILTER LINES	
PERKINS	3-12
LIFT PUMP ASSEMBLY	
PERKINS	3-14
LIFTING EYES	13-14
LOW CLUTCH.....	5-18

TABLE OF CONTENTS (Continued)

DESCRIPTION	PAGE
M	
MAIN LIFT CYLINDER	
THREE STAGE FULL FREE-LIFT	11-9
TWO STAGE LIMITED FREE-LIFT	10-10
MANIFOLDS	
PERKINS	2-50
MAST AND REAR WORK LIGHTS	13-4
MAST ASSEMBLY	
THREE STAGE FULL FREE-LIFT	
SHEET 1 OF 3	11-2
SHEET 2 OF 3	11-4
SHEET 3 OF 3	11-6
MAST INSTALLATION	9-30
MONOTROL PEDAL	3-30
O	
OIL COOLER	
WET BRAKE	8-9
OIL COOLER AND CONNECTIONS	
PERKINS	2-68
OIL FILTER AND ATTACHING PARTS	
PERKINS	2-66
OIL PUMP AND DELIVERY HOUSING	
PERKINS	2-64
OIL SUMP	
PERKINS	2-48
OUTER MAST	
TWO STAGE LIMITED FREE-LIFT	10-2
OUTPUT FLANGE	5-40
OUTPUT SHAFT	5-14
P	
PARK BRAKE	
WET BRAKE	8-22
PICK-UP SENSORS	
PERKINS	2-84
PILOT VALVE	9-20
PISTON AND CONNECTING ROD	
PERKINS	2-38
R	
REVERSE ALARM	13-16
REVERSE AND SECOND CLUTCH	5-20
S	
SEAT ASSEMBLY	
AIR	1-46
MECHANICAL	1-48
SIDE-SHIFT CARRIAGE	
THREE STAGE FULL FREE-LIFT	
FOUR, FIVE, AND SIX FUNCTION	12-22

TABLE OF CONTENTS (Continued)

DESCRIPTION	PAGE
S (continued)	
INDIVIDUAL FORK POSITIONER (FIVE FUNCTION)	12-26
SIMULTANEOUS FORK POSITIONER (FOUR FUNCTION)	12-30
THREE FUNCTION.....	12-20
TWO STAGE LIMITED FREE-LIFT	
DUAL FUNCTION WITH FORK POSITIONER.....	12-14
INDIVIDUAL FORK POSITIONER (FIVE FUNCTION).....	12-6
SIMULTANEOUS FORK POSITIONER (FOUR FUNCTION)	12-10
WITH HOSE GROUP.....	12-2
SIDE-SHIFT CYLINDER	12-34
TWO STAGE LIMITED FREE-LIFT	
DUAL FUNCTION WITH FORK POSITIONER.....	12-18
STARTER MOTOR	
PERKINS.....	4-10
STEEL DOOR	
LEFT HAND.....	1-18
RIGHT HAND.....	1-16
STEERING AXLE.....	7-8
STEERING COLUMN AND ATTACHING PARTS.....	7-4
STEERING COLUMN ASSEMBLY.....	7-6
STEERING CYLINDER.....	7-12
STEERING SYSTEM.....	7-2
STROBE LIGHT	13-12
T	
THERMOSTAT AND WATER OUTLET HOUSING	
PERKINS.....	2-70
THIRD CLUTCH.....	5-16
THROTTLE PEDAL LINKAGE	
FORWARD AND REVERSE LEVER.....	3-26
MONOTROL PEDAL.....	3-28
TILT CYLINDER	9-22
CAB.....	1-24
TILT CYLINDER AND ATTACHING PARTS	9-18
TIMING CASE	
PERKINS.....	2-42
TIMING COVER	
PERKINS.....	2-44
TIMING GEAR	
PERKINS.....	2-46
TIRE AND WHEEL.....	13-2
TORQUE CONVERTOR ASSEMBLY	
CUMMINS.....	5-34
PERKINS.....	5-32
TORQUE CONVERTOR HOUSING AND ATTACHING PARTS.....	5-4
TRAINING SEAT	1-50
TRANSMISSION CASE.....	5-6
TRANSMISSION MOUNT AND ATTACHING PARTS.....	5-2
TURBINE SHAFT AND STATOR SUPPORT	5-36
TURBO DRAIN PIPE AND BLANKING PLATE	

TABLE OF CONTENTS (Continued)

DESCRIPTION	PAGE
T (continued)	
PERKINS	2-76
TURBOCHARGER AND ATTACHING PARTS	
PERKINS	2-74
W	
WATER PUMP	
PERKINS	2-72
WATER SEPERATOR	
PERKINS	3-24
WINDOW WASHER AND ARMREST ASSEMBLY	1-62
WIRE HARNESS	
ARMREST	
WITH CLOSED CAB	4-22
WITH OPEN CAB	4-24
CAB TILT	4-26
CLOSED CAB	4-16
OPEN CAB	4-18
REAR WIPER	4-20
STEERING COLUMN	4-28
TWO STAGE LIMITED FREE-LIFT	4-30
WIRING LOOMS	
PERKINS	2-82

ABBREVIATIONS QUICK REFERENCE SHEET

Listed below are abbreviations used in parts manuals to denote the following expressions:

TERM	DEFINITION	TERM	DEFINITION
Amp	Amperes	FRE	Freezer Environment
AR	As Required	in.	inches
BDI	Battery Discharge Indicators	LPG	Liquefied Petroleum Gas
BWI	Brush Wear Indicator	MAP	Manifold Absolute Pressure
CE	Communicator End	mm	millimeters
CRE	Corrosive Environment	MSTS	Microprocessor Spark Timing System
D/B	Date Break	NPT	National Pipe Threads
dbA	Decibel "A" Scale	O/S	Oversize
DE	Drive End	PTO	Power Take Off
ECH	Empty Container Handler	RPM	Revolutions per Minute
ECH-3	Empty Container Handler - 3 High Stacking	S/N	Serial Number
ECH-4	Empty Container Handler - 4 High Stacking	TMM	Truck Management Module
ECH-5	Empty Container Handler - 5 High Stacking	UL Type D	Diesel-Powered Safety Rating
ECH-6	Empty Container Handler - 6 High Stacking	UL Type DS	Diesel-Powered Safety Rating
ECH-7	Empty Container Handler - 7 High Stacking	UL Type E	Battery-Powered Safety Rating
ECM	Electronic Control Module	UL Type EE	Battery-Powered Safety Rating
ECN	Engineering Change Notice	UL Type ES	Battery-Powered Safety Rating
EEPROM	Electrically Erasable Programmable Read Only Memory	UL Type G	Gasoline-Powered Safety Rating
EPROM	Electrically Programmable Read Only Memory	UL Type GS	Gasoline-Powered Safety Rating
		UL Type LP	Gas-Powered Safety Rating
		UL Type LPS	LP Gas-Powered Safety Rating
		U/S	Undersize
		UL	Underwriters Laboratory
		V	Volts

HOW TO USE THE ILLUSTRATED PARTS MANUAL

This parts manual describes and illustrates assemblies, subassemblies, and detail parts needed for service replacement.

The different constructions are indicated by keys and footnotes. The callouts correspond to descriptions found on the next page.

HYSTER UNIT CODE D001 NORTH AMERICA 06/2001

TABLE OF CONTENTS

DESCRIPTION	PAGE
AIR INTAKE AND FILTER DIESEL (⇒ D/B 11/96 ⇒)	3-22
AIR INTAKE AND FILTER DIESEL (D/B 11/96 ⇒)	
AIR INTAKE AND FILTER GASOLINE AND LPG	
ALTERNATOR GASOLINE, LPG, AND DIESEL	
ALTERNATOR TYPES GS, LPS, AND DS	
AUXILIARY FUNCTION TUBE TWO AND THREE STAGE FULL F	

SECTION 13 NUMERICAL INDEX

PART NO.	ITEM PAGE NO.	PART NO.	ITEM PAGE NO.	PART NO.	ITEM PAGE NO.	PART NO.	ITEM PAGE NO.
142	3-4 19	10-13	25	11-27	29	12-31	12
12445	3-32 19	10-17	6	11-31	25	16719	3-35 5
	3-34 1	10-27	11	11-32	37	16751	3-16 27
		11	6	8-4	29	16845	3-34 21
		11-11	6	8-4	45		3-36 20
		12-21	11	8-8	34	16863	3-26 17
		4	13	9-7	9	16865	3-6 18
		12	6	9-7	19	16882	9-7 30
		3	17	9-11	9		9-11 27
		23	46	10-9	21		10-10 36
		27	46	10-9	26		10-13 32
		26	14	10-13	16		11-7 24
		28	14	11-7	18		11-9 17
		30	14				

SECTIONS

- FRAME
- ELECTRICAL SYSTEM
-
-
- BRAKE/ACC
-
- MAST-TWO STAGE
- MAST-THREE STAGE
- MAST-TWO STAGE
-
-

TRANSMISSION HOUSING ⇒ S/N D001H-2628

KEY:
A: Diesel
B: Gasoline and LPG

ITEM	PART NO.	DESCRIPTION	QTY	
			A	B
		Transmission	1	1
	2022547	Transmission	1	1
	2023329	Transmission	2	2
	2021670	Case	4	4
1	2023419	Bearing Cap	4	4
2	296426	Washer	1	1
3	293592	Bolt	2	2
4	2021390	Coil	4	4
5	1371655	Coller Pin	1	1
6	2021329	O-Ring	4	4
7	2021915	Plug	1	1
8	2021675	Housing	22	22
9	2021336	Bolt	39	39
10	287860	Bolt	1	1
11	292682	Lockwasher	1	1
12		Hydraulic Pump	1	1
13		⇒ Figure 5-3	8	8
14	2021345	Gasket	8	8
15	214364	Bolt	1	1
16	256418	Washer	1	1
17	2021388	Temperature Switch	1	1
18	2021389	Breather	9	9
19	2021383	Dipstick	9	9
20	292515	Bolt	2	2
21	136692	Nut	3	3
22	292527	Bolt	3	2
23	292531	Capscrew	4	4
24	292683	Lockwasher	4	4
25	293837	Bolt	1	1
26	296420	Washer	1	1
	996403	Transmission Kit (Includes Item 7)	1	1
	996405	Transmission Kit (Includes Item 14)	1	1

This Parts Manual is divided into 11 major sections which are listed above. Quick reference can be made by placing the right thumb on the tab of the desired section, bending the pages to the corresponding tab.

© Copy Right Date HYSTER COMPANY See Service Manual for service procedures. 5-15

HOW TO FIND THE DESIRED PART NUMBER

WHEN THE PART NUMBER AND THE NEXT HIGHER ASSEMBLY IS NOT KNOWN:

1. Determine the function and application of the part required. Turn to the Sections Page. Choose the general area of reference most likely to include the part.
2. Turn to the section you chose. Use the Section Table of Contents to determine the assembly which would normally contain the part required. Then locate the part on the assembly breakdown page.

WHEN THE PART NUMBER IS NOT KNOWN AND THE NEXT HIGHER ASSEMBLY IS KNOWN:

3. Determine the assembly the required part is used on. Turn to the Table of Contents on Page i.
4. Locate the assembly the required part is used on and turn to the page indicated for that assembly. Then locate the part on the assembly breakdown page.

WHEN THE PART NUMBER IS KNOWN:

5. Use the Numerical Index on Page 14-1 to find the part number. Turn to the page listed and locate the part as indicated by the item number.

GENERAL:

The assembly breakdowns include part numbers, descriptions, quantities required, keys and footnotes to help in selecting correct parts.

6. Five periods in the PART NO. column (.) indicate that the part is either *Not Serviced Separately* or there is a reference to another figure. A figure reference is denoted by a pointing hand followed by a figure number in the DESCRIPTION column (☞ Figure 10)
7. Keys are used to show two or more similar assemblies, RH and LH assembly parts, etc. Select the appropriate key, "A", "B", "C", "D", or "E" and the corresponding quantity column to find the required parts. Two periods in the QTY column (..) indicate that the part is not used for that assembly.
8. Indented descriptions under the DESCRIPTION column are used to indicate assemblies and subparts of assemblies. In the example on the

previous page, *BEARING CAP* (Item 2) is a subpart of the major assembly *CASE*.

9. Quantities shown are for one assembly. The quantities of the subpart *BEARING CAP* are indicated as two and two. This means two per *CASE* assembly.
10. Serial number breaks identify the most current parts information and are shown as follows:
 - ⇒ **S/N D001H-2628**
Indicates last serial number affected.
 - S/N D001H-2629** ⇒
Indicates the first serial number affected.
 - S/N D001H-1553** ⇔ **S/N D001H-3291**
Indicates a range of serial numbers affected.

ECN numbers for pending serial numbers are shown to allow for the inclusion of the most current parts information and are identified as follows:

- ⇒ **S/N Pending Per ECN 63243**
Indicates a pending serial number for last unit affected.
- S/N Pending Per ECN 63243** ⇒
Indicates a pending serial number for first unit affected.

Date breaks are used to indicate when a change occurred but a subsequent serial number break was not recorded. This is an arbitrary date usually based on the ECN release and are identified as follows:

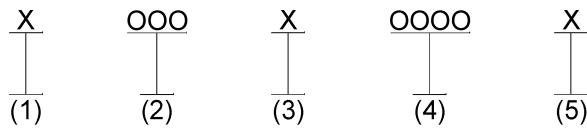
- ⇒ **D/B 3/00**
Indicates that a change occurred sometime within that month for the item affected.
- D/B 3/00** ⇒
Indicates that a change occurred sometime within that month for the item affected.
- D/B 3/00** ⇔ **D/B 4/00**
Indicates a range of production dates of the item affected.

Contact your local dealer for Hyster lift trucks for serial number information for items with a ECN or a date break.

ORDERING PARTS:

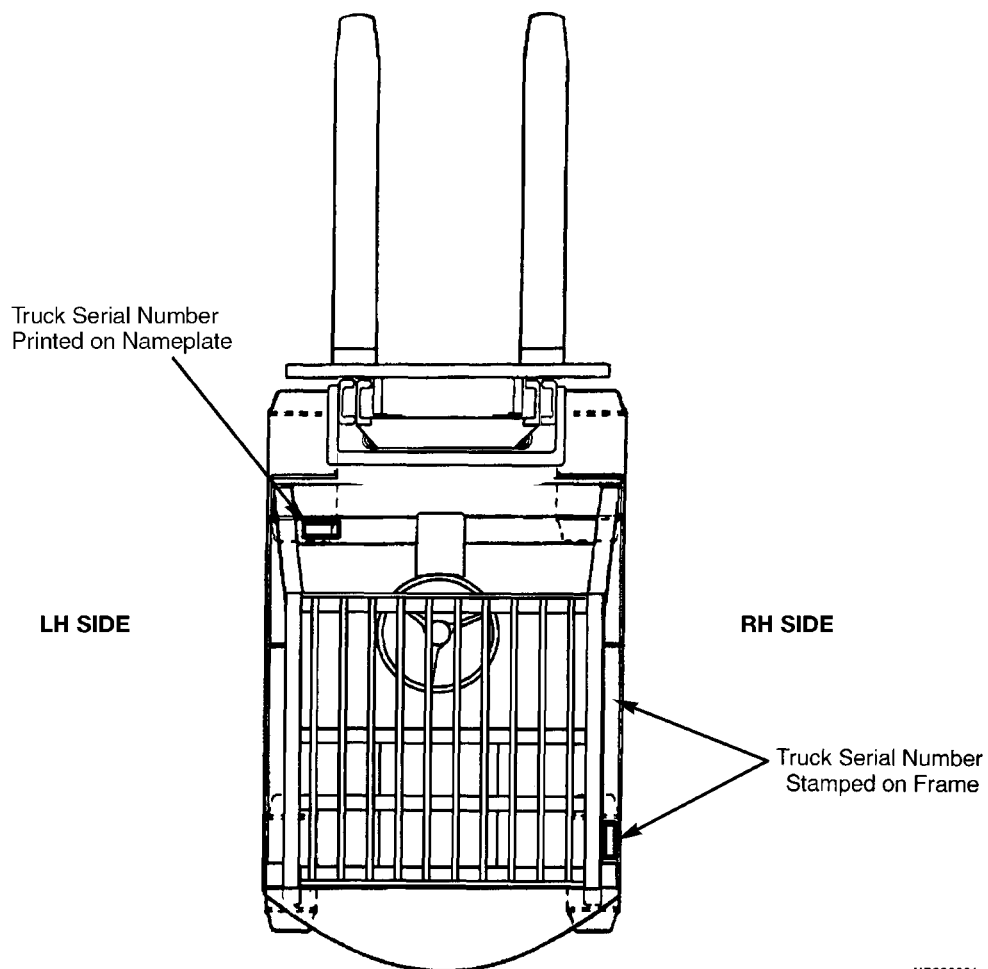
When ordering replacement parts, give the unit serial number, part number, name of part and quantity required.

For any further information on parts, service, or ordering, consult your local dealer for Hyster lift trucks.

IDENTIFICATION OF TRUCK SERIAL NUMBERS

- (1) and (2) The first letter and three numbers indicate the truck unit code.
- (3) The second letter indicates the plant of manufacture.
- (4) The four or five digit number indicates the production sequence number of the truck.
- (5) The final letter indicates the year of manufacture starting with "A" in 1957 and 1980. The letters "I", "O", and "Q" will not be used.

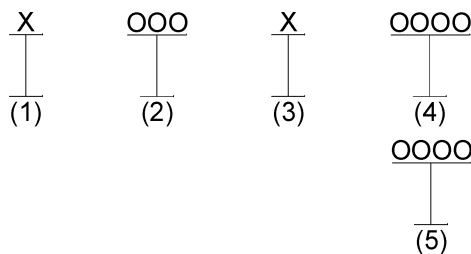
For pending serial numbers contact your local dealer for Hyster lift trucks.



HP990001

Parts referred to in this book as right or left hand parts are in accordance with the illustration above.

IDENTIFICATION OF MAST SERIAL NUMBERS



- (1) and (2) The first letter and number indicates the mast unit code.
- (3) The second letter indicates the plant of manufacture.
- (4) The four or five digit number indicates the production sequence number of the mast.
- (5) Carriage travel in millimeters stamped just below the serial number.

Mast Group identification consists of mast unit code (1) and (2) plus carriage travel (5).

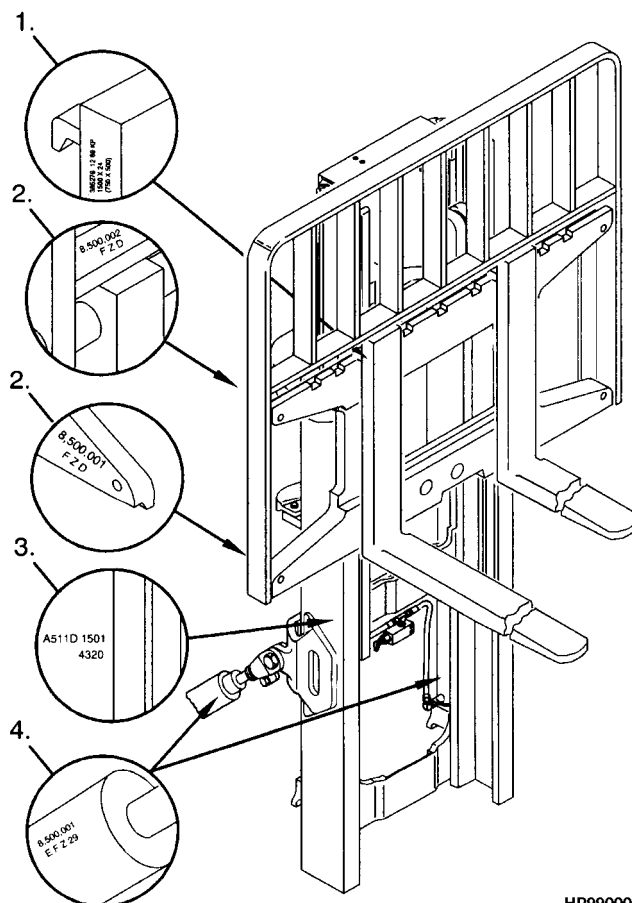
For pending production sequence numbers contact your local dealer for Hyster lift trucks.

LIFT EQUIPMENT IDENTIFICATION

1. Fork part number, capacity rating, plant code letter, and date of manufacture are stamped approximately six inches below the top of most forks.
2. The carriage group number is stamped on the right hand side of the top crossmember (pin type) or on the back of the right hand end of the bottom crossmember (hook type). A date code has two letters in line with or below the carriage group number.
3. The mast identification number has a unit code, a letter indicating the plant of manufacture, and a serial number. Underneath the production sequence number is a four digit number that indicates the carriage travel in millimeters.
4. Tilt and lift cylinder group numbers are stamped on the cylinder shell.

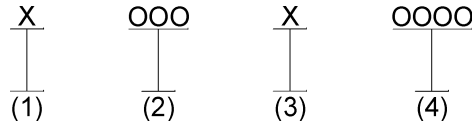
Always refer to the group, serial, or part number when ordering service parts.

Modification of masts and carriages by SPED (Special Products Engineering Department) are identified by a model prefix code beginning with the letter "S". contact your dealer for Hyster lift trucks for information on these assemblies.



HP990002

IDENTIFICATION OF ATTACHMENT AND SIDE-SHIFT CARRIAGE SERIAL NUMBERS

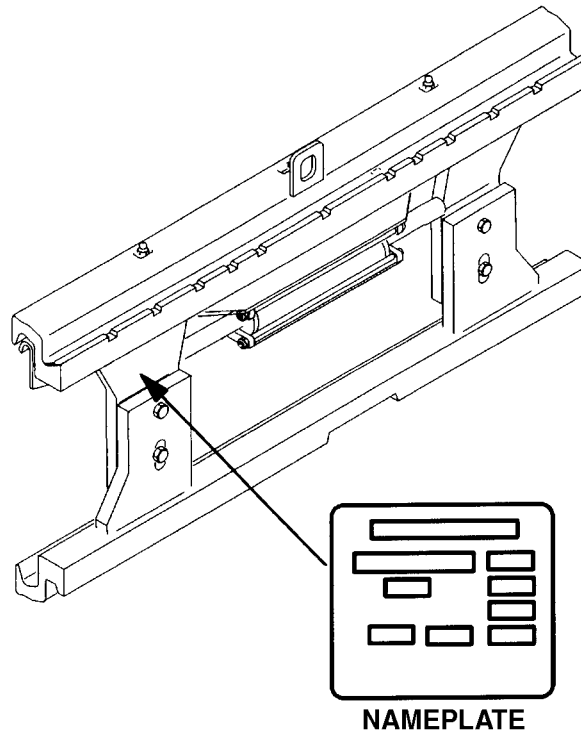


(1) and (2) The first letter and three numbers indicate the attachment unit code.

(3) The second letter indicates the plant of manufacture.

(4) The four or five digit number indicates the production sequence number.

For pending production sequence numbers contact your local dealer for Hyster lift trucks.



HP990003

Side-shift carriages and attachments have nameplates. Use the serial number found on the nameplate to identify the attachment.

Always refer to the group, serial, or part number when ordering service parts.

Modifications of attachments and side-shift carriages by SPED (Special Products Engineering Department) are identified by a model prefix code beginning with the letter "S". Contact your dealer for Hyster lift trucks for information on these assemblies.

PUBLICATIONS

Every new lift truck is provided with an OPERATING MANUAL. This manual has information that the operator must know for inspection and operation of the lift truck.

SERVICE MAINTENANCE MANUALS, which provide service and overhaul procedures, and PARTS MANUALS with complete replacement part identification, are available at a nominal fee from your Hyster dealer to assist users in effectively maintaining Hyster lift trucks in a safe, useful condition. See the list below for information on ordering specific publications for this model lift truck.

PUBLICATION	HYSTER PART NUMBER
Operating Manual	1556854
Service Manual (Complete)	1556870
Parts Manual	1556869

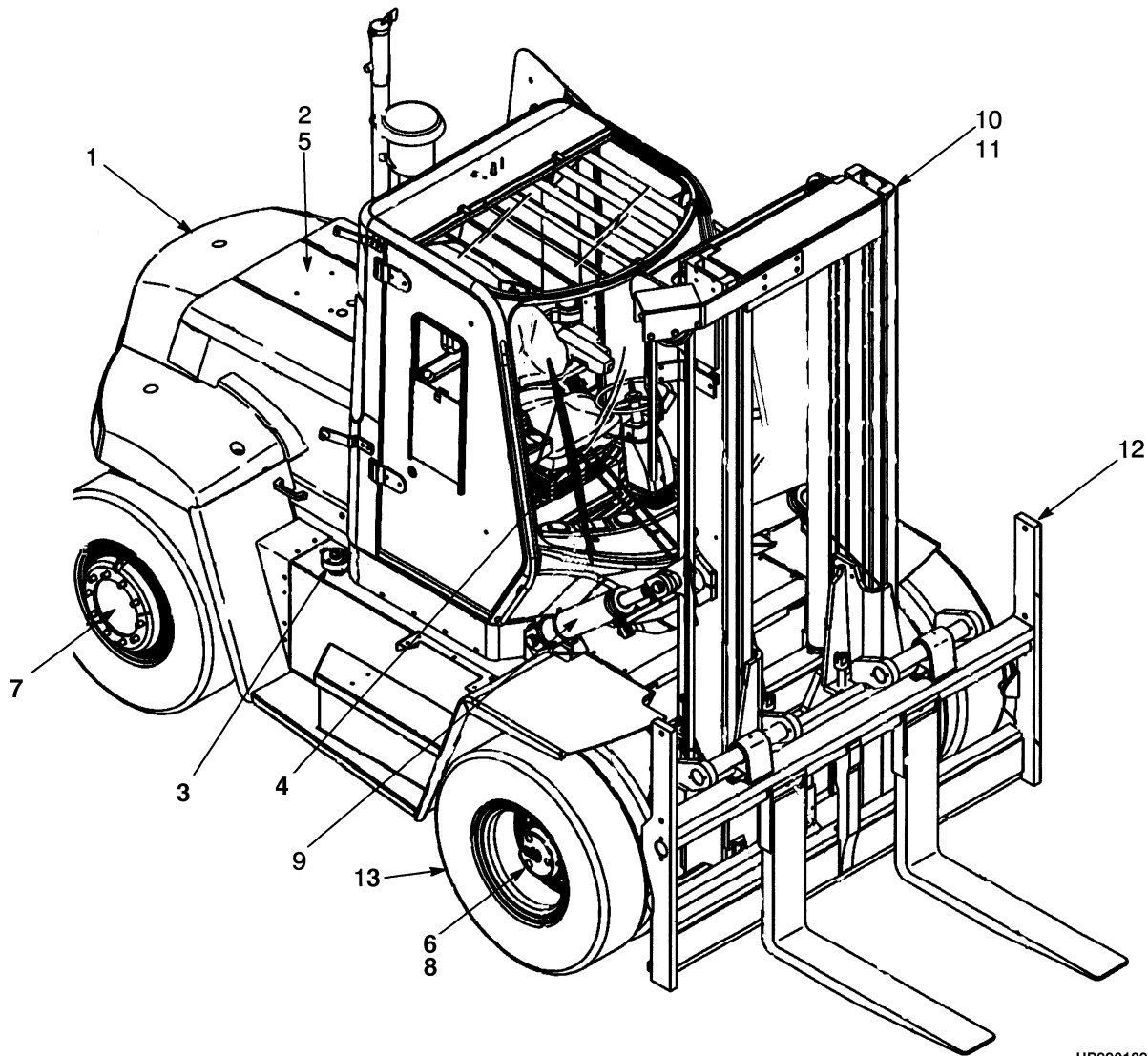
1

FRAME

SECTION 1
FRAME

DESCRIPTION	PAGE
AIR CONDITIONING SYSTEM	
CUMMINS.....	1-36
PERKINS	1-34
AIR DUCT AND ACCESSORIES	
CAB.....	1-58
ARMREST	
PIVOT-UP	1-64
CAB AND ATTACHING PARTS	1-12
CAB AND TILT CYLINDER MOUNTING.....	1-20
CAB HARDWARE AND CONTROL COVER.....	1-54
CONDENSOR.....	1-44
COUNTERWEIGHT	1-10
DASH DISPLAY	
CAB.....	1-60
ELECTRICAL PUMP	
CAB TILT.....	1-28
FLOOR PLATES AND COVERS	1-8
GENERAL TRUCK	1-2
HAND PUMP	
CAB TILT.....	1-26
HEATER AND AIR CONDITIONER ASSEMBLY.....	1-42
HEATER AND AIR CONDITIONER ATTACHMENT	1-38
HEATER ASSEMBLY	1-40
HEATER HOSE ARRANGEMENT	
CUMMINS.....	1-32
PERKINS	1-30
HOOD.....	1-4
INCHING PEDAL AND ACCESSORIES	
CAB.....	1-56
LABELS.....	1-52
SEAT ASSEMBLY	
AIR.....	1-46
MECHANICAL	1-48
STEEL DOOR	
LEFT HAND.....	1-18
RIGHT HAND.....	1-16
TILT CYLINDER	
CAB.....	1-24
TRAINING SEAT	1-50
WINDOW WASHER AND ARMREST ASSEMBLY	1-62

GENERAL TRUCK (Figure 1-1)



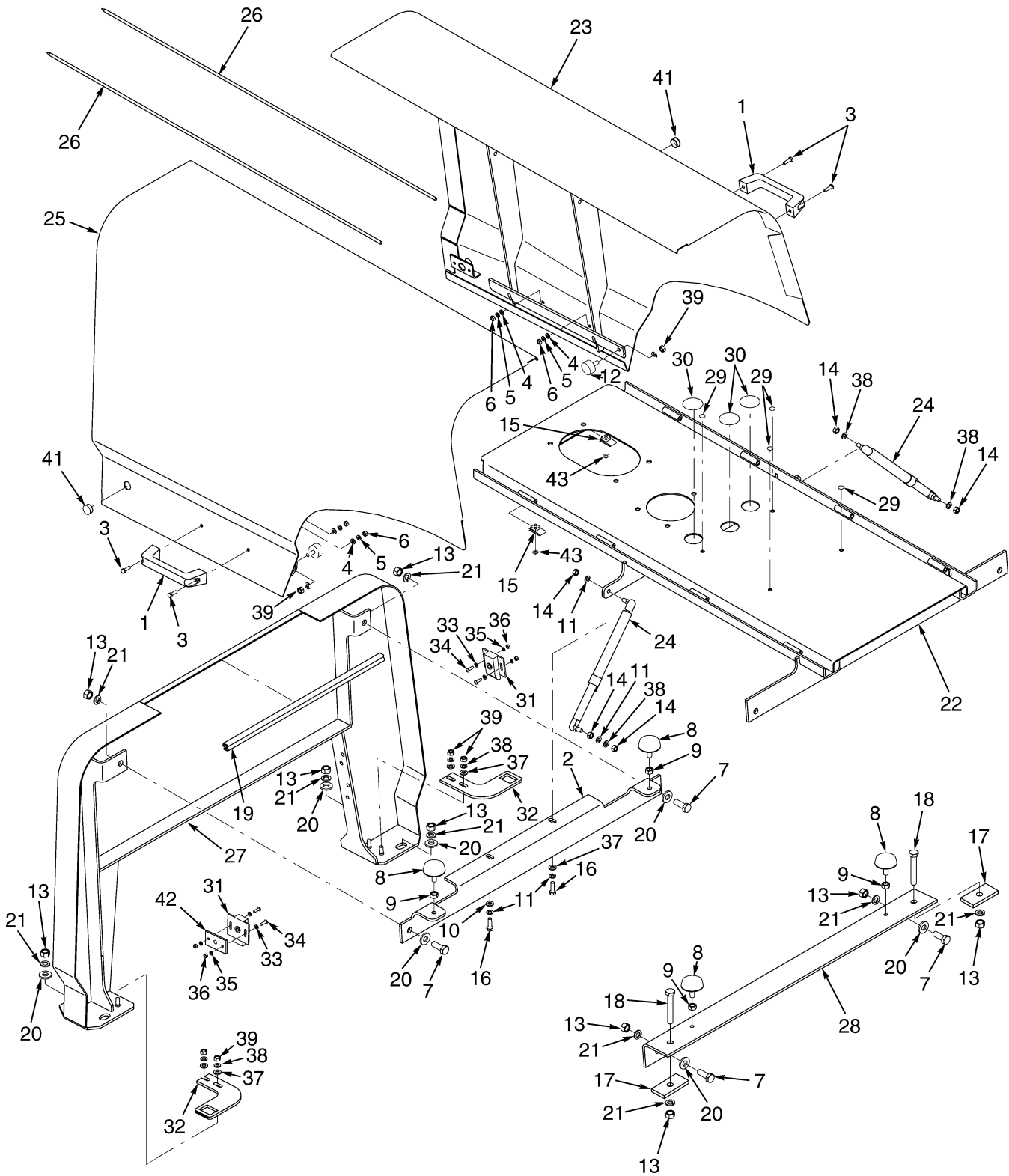
HP990129

ITEM	PART NO.	DESCRIPTION	QTY
1	Frame (☞ Figure 1-2)	1
2	Engine Assembly (☞ Figure 2-1)	1
3	Fuel System (☞ Figure 3-1)	1
4	Electrical System (☞ Figure 4-1)	1
5	Transmission (☞ Figure 5-1)	1
6	Drive Axle (☞ Figure 6-1)	1
7	Steering System (☞ Figure 7-1)	1
8	Brake System (☞ Figure 8-1)	1
9	Hydraulic System (☞ Figure 9-1)	1
10	Mast-Two Stage Limited Free-Lift (☞ Figure 10-1)	1
11	Mast-Three Stage Full Free-Lift (☞ Figure 11-1)	1
12	Attachments (☞ Figure 12-1)	1
13	Options (☞ Figure 13-1)	1
14	Numerical Index.....	1

HYSTER

NOTES

HOOD (Figure 1-2)



BP120041

HOOD

ITEM	PART NO.	DESCRIPTION	QTY
1	362030	Handle	2
2	1477508	Bracket.....	1
3	292501	Capscrew.....	4
4	320156	Washer	4
5	292680	Lockwasher.....	4
6	136687	Nut	4
7	292528	Capscrew.....	4
8	1479870	Screw (Stop).....	4
9	136692	Nut	4
10	320157	Washer	2
11	292681	Lockwasher.....	4
12	1489092	Screw (Stop).....	2
13	216877	Nut	10
14	239503	Nut	4
15	376397	Nut	2
16	18498	Capscrew.....	2
17	1479871	Washer	2
18	292535	Capscrew.....	AR
19	300088	Seal (Door)	8
20	320162	Washer	8
21	292683	Lockwasher.....	10
22	a 1554210	Channel	1
22	b 1554209	Channel	1
23	a 1478957	Hood (RH)	1
23	b 1478958	Hood (RH)	1
24	376300	Gas Spring.....	2
25	a 1479059	Hood (LH)	1
25	b 1479060	Hood (LH)	1
26	a 1476660	Rod	1
26	b 1476661	Rod	1
27	1489401	Support.....	1
28	1477512	Bracket.....	1
29	1494868	Plug (Without Air Conditioner)	4
30	1494869	Plug (Without Air Conditioner)	3
31	1382332	Latch	2
32	1494480	Bracket.....	2
33	320155	Washer	4
34	296155	Capscrew.....	4
35	292679	Lockwasher.....	4
36	292668	Nut	4
37	320160	Washer	4
38	292682	Lockwasher.....	4
39	136692	Nut	4
40	c 1382766	Wrench	1
41	309666	Plug (Non-EEC).....	2
42	1494642	Shim	AR
42	1494643	Shim	AR

HOOD

ITEM	PART NO.	DESCRIPTION	QTY
42	1494645	Shim	AR
43	320158	Washer	AR

FOOTNOTES:

- a** H170HD-H210HD
- b** H230HD-H280HD
- c** Not Illustrated

Please Click Here To Download The Complete Manual
Download Other Manuals
If Having Any Questions Feel Free To Contact us

admin@servicemanualbit.com