

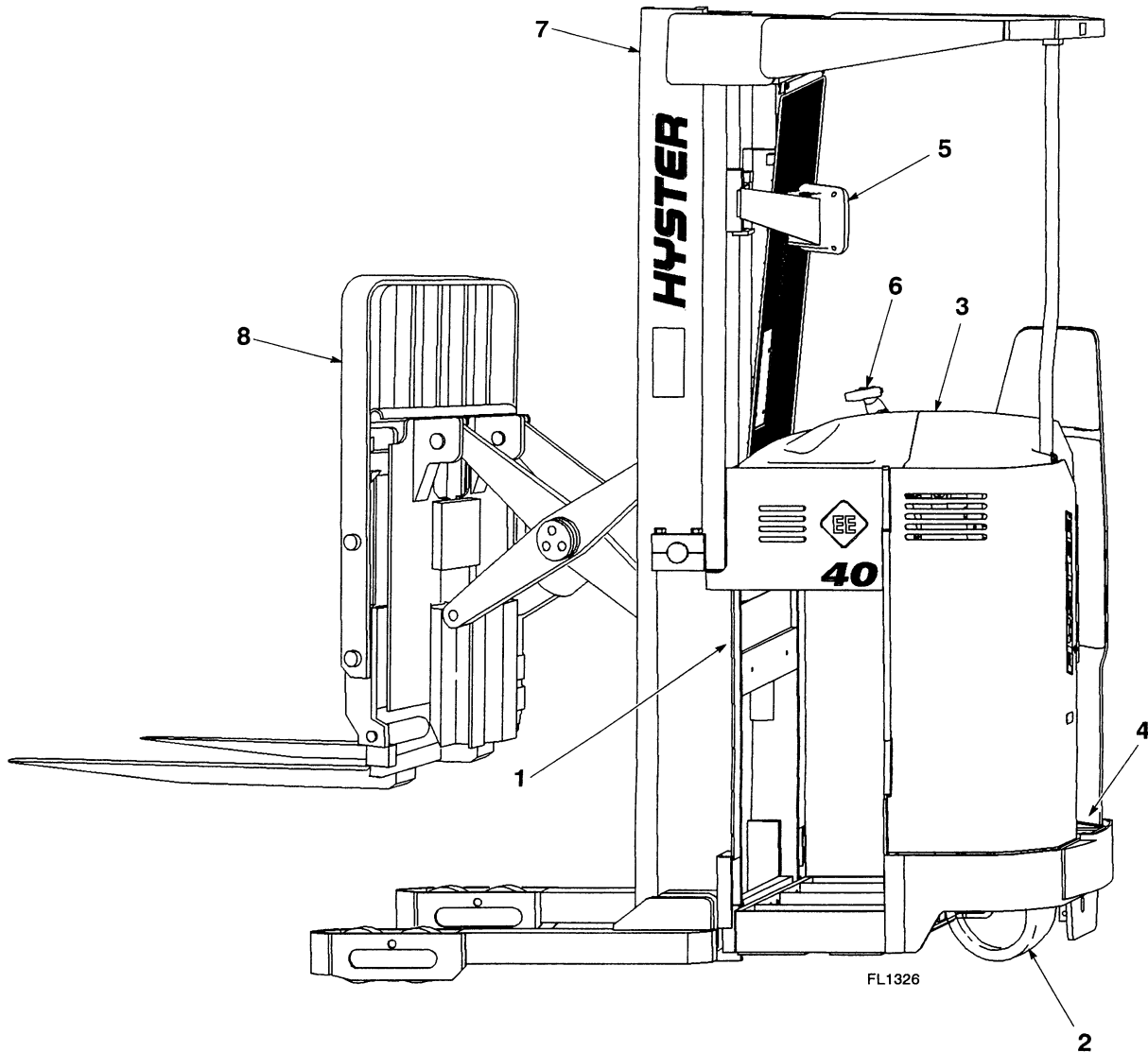
PARTS MANUAL

**ELECTRIC
N45XMR2, N30XMDR2
(F138)**

CUSTOMER EDITION

HYSTER

ILLUSTRATED CONTENTS



REF.	DIVISION	PAGE
1	Frame	1
2	Drive Unit	13
3	Steering	23
4	Brake System	33
5	Electrical	41
6	Hydraulic	57
7	Mast-Three Stage-Full Free Lift (FFL)	73
8	Carriage	93
*	Options	108
*	Numerical Index	120

* NOT ILLUSTRATED

TABLE OF CONTENTS

DESCRIPTION	PAGE NO.
BACKREST (Figure 61)	111
BATTERY CONNECTOR (Figure 32)	56
BATTERY TRAY (Figure 67)	119
BRAKE ASSEMBLY (Figure 17)	36
BRAKE PEDAL AND OPERATOR SENSING SWITCH (Figure 20) FIRST USED ON S/N PENDING PER ECN 83325	39
BRAKE PEDAL AND OPERATOR SENSING SWITCH (Figure 19) LAST USED ON S/N PENDING PER ECN 83325	38
BRAKE SYSTEM (Figure 16)	34
CARRIAGE-S/N PENDING ECN 83482 (Figure 55)	104
CARRIAGE-INNER FRAME (Figure 54)	102
CARRIAGE-OUTER FRAME-SIDESHIFTER (Figure 51)	96
CARRIAGE-OUTER FRAME-STANDARD (Figure 50)	94
CASTER ASSEMBLY (Figure 6)	16
CHAINS, PINS, AND ANCHORS (Figure 45) THREE-STAGE FULL FREE LIFT (FFL)	84
CONTACTOR PANEL "E" (Figure 23)	44
CONTACTOR PANEL "EE" (Figure 24)	46
CONTROL HANDLE (Figure 30)	54
CONTROL HANDLE ASSEMBLY (Figure 29)	52
CONTROL HANDLE MECHANISM (Figure 31)	55
CONTROL VALVE ASSEMBLY (Figure 36)	64
DECAL AND PLATE LOCATION (Figure 4)	10
DRIVE UNIT (Figure 7)	18
ELECTRICAL ARRANGEMENT (Figure 22)	42
ELECTRICAL COMPONENTS (Figure 28)	51

TABLE OF CONTENTS

DESCRIPTION	PAGE NO.
FORKS (Figure 60) HOOK TYPE	110
FORKS (Figure 59) SHAFT TYPE	109
FREE LIFT CYLINDER (Figure 48) THREE-STAGE FULL FREE LIFT (FFL)	89
GEAR PUMP (Figure 39)	69
HEADER HOSE (Figure 43) THREE-STAGE FULL FREE LIFT (FFL) FIRST USED ON MAST S/N A570-1967 AND A571-1679	78
HEADER HOSE (Figure 42) THREE-STAGE FULL FREE LIFT (FFL) LAST USED ON MAST S/N A570-1966 AND A571-1678	76
HOOD AND COVERS (Figure 2) FIRST USED ON S/N PENDING PER ECN 83325	6
HOOD AND COVERS (Figure 1) LAST USED ON S/N PENDING PER ECN 83325	2
HYDRAULIC CONTROL VALVE AND FITTINGS (Figure 35)	62
HYDRAULIC MOTOR (Figure 40)	70
HYDRAULIC PUMP AND MOTOR (Figure 38)	68
HYDRAULIC SYSTEM (Figure 34) FIRST USED ON S/N PENDING PER ECN 83176	60
HYDRAULIC SYSTEM (Figure 33) LAST USED ON S/N PENDING PER ECN 83176	58
HYDRAULIC TANK ASSEMBLY (Figure 37)	66
INTEGRAL SIDESHIFTER CYLINDER (Figure 58) 24-INCH AND 42-INCH REACH	107
LIFT LIMIT SWITCH (Figure 49) THREE-STAGE FULL FREE LIFT (FFL)	91
LIFT PUMP CONTACTOR (Figure 27)	50
LIGHT AND FAN ASSEMBLY (Figure 64) FIRST USED ON S/N F138N01806W	116

TABLE OF CONTENTS

DESCRIPTION	PAGE NO.
LIGHT AND FAN ASSEMBLY (Figure 63) LAST USED ON S/N F138N01805W	114
LIGHTS (Figure 62)	112
MAIN CYLINDER ARRANGEMENT (Figure 46) THREE-STAGE FULL FREE LIFT (FFL)	86
MAIN LIFT CYLINDER (Figure 47) THREE-STAGE FULL FREE LIFT (FFL)	87
MAIN-FREE LIFT (Figure 44) THREE-STAGE FULL FREE LIFT (FFL)	82
MAST-OUTER, INTERMEDIATE, AND INNER (Figure 41) THREE-STAGE FULL FREE LIFT (FFL)	74
MASTER CYLINDER (Figure 21)	40
MASTER DRIVE UNIT (Figure 5)	14
OPERATOR GUARD (Figure 3)	9
POWER STEER ARRANGEMENT (Figure 9)	24
POWER STEER CONTACTOR (Figure 25)	48
REACH CYLINDER (Figure 56) 24-INCH AND 42-INCH REACH	105
SCISSOR CARRIAGE 24-INCH REACH (Figure 52)	98
SCISSOR CARRIAGE 42-INCH REACH (Figure 53)	100
SINGLE LOAD WHEEL (Figure 66)	118
SLAVE CYLINDER (Figure 18)	37
STEER CONTROL UNIT (Figure 10)	26
STEER AND AUXILIARY MOTOR (Figure 13) STANDARD "E" CONSTRUCTION	29
STEER AND AUXILIARY MOTOR (Figure 14) "EE" CONSTRUCTION	30
STEER AND AUXILIARY PUMP (Figure 15)	31
STEER AND AUXILIARY PUMP AND MOTOR (Figure 12)	28
STEERING MOTOR (Figure 11)	27

TABLE OF CONTENTS

DESCRIPTION	PAGE NO.
TANDEM LOAD WHEEL (Figure 65)	117
TILT CYLINDER (Figure 57)	106
TRACTION CONTACTOR (Figure 26)	49
TRACTION MOTOR (Figure 8)	20

HOW TO USE THE ILLUSTRATED PARTS MANUAL

This Parts Manual describes and illustrates assemblies, subassemblies and detail parts needed for service replacement.

The different constructions are indicated by keys, symbols and footnotes.

Page 2 SERIAL CODE E138

HYSTER

TABLE OF CONTENTS

DESCRIPTION	PAGE
Accelerator	58-59
Accumulator	104
Aisle-Drive	24-25
Aisle-Clearing	42-43
Brake	
Brake-Park Lever Adjusted	
Brake-Park Seat Adjusted	
Carriage Side-Shift	
Carriage Vista Two-Stage Full Free Lift	
Carriage Vista Three-Stage Full Free Lift	

Page 100 SERIAL CODE E138

HYSTER

INDEX-NUMERICAL

PART NO.	FIGURE NO.	REF. NO.	PART NO.	FIGURE NO.	REF. NO.	PART NO.	FIGURE NO.	REF. NO.
360207	43	1	370128	11	14	370205	91	34
360208	43	1	370206	82	14	370207	22	3
360209	47	1	370207	70	1	370208	22	3
360215	48	2	370208	70	1	370209	43	4
360216	54	1	370209	66	1	370210	26	11
360218	30	2	370210	66	1	370211	42	11
360219	47	1	370211	66	1	370212	43	4
360242	46	8	370212	66	1	370213	26	11
360243	43	3	370213	66	1	370214	42	11
360248	39	1	370214	66	1	370215	42	11
			370215	66	1	370216	43	4

Page 1 SERIAL CODE E138

HYSTER

ILLUSTRATED CONTENTS

REF.	DIVISION	PAGE
1	Frame	1
2	Master Drive Unit	22
3	Steering	35
4	Brake System	44
5	Electrical	56
6	Hydraulic	67
7	Mast-Vista Two Stage	72
8	Mast-Vista Three Stage	82
9	Carriage	96
10	Options	102

Page 9 SERIAL CODE E138

HYSTER

MOTOR-TRACTION (Figure 4)

LAST USED ON PENDING S/N PER ECN 98020

KEY

A: 24 Volt-N50-40XMR, N25XMDR, N50XMA
 B: 36 Volt-N40XMR, N25XMDR, N50XMA
 C: 36 Volt-N45XMR, N50XMDR

REF.	PART NO.	NAME OF PART	QTY.	REF.	PART NO.
			A B C		
	+2015434	Motor	1	9	+203204
	\$2015436	Motor	1	10	\$203203
	\$2015435	Motor	1	11	3607
	\$2015437	Motor	1	12	2014
	+2015459	Motor	1	12	+201
	\$2014572	Motor	1	12	\$201
1	+2032087	Cover-CE	1	13	+34
1	\$2032089	Cover-CE	1	13	\$20
2	+2032088	Cover-CE	1	14	13
2	\$2032090	Cover-CE	1	14	13
3	2032086	Yoke/Bearing Support	4	15	24
4	2015288	Brush	1	16	
5	360237	Yoke/Holder	8	8	18
6	528760	Spring-Brush	1	1	19
7	360938	Connector	1	1	1
	360939	Field	1	1	1
9	+2032038	Field	1	1	1
9	\$2032042	Field	1	1	1
9	2032040	Field	1	1	1

©1995 HYSTER COMPANY See Service Manual for service procedures

Please Click Here To Download The Complete Manual
Download Other Manuals
If Having Any Questions Feel Free To Contact us

admin@servicemanualbit.com