

# **PARTS MANUAL**

**ELECTRIC  
R30XM, XMA, XMF**

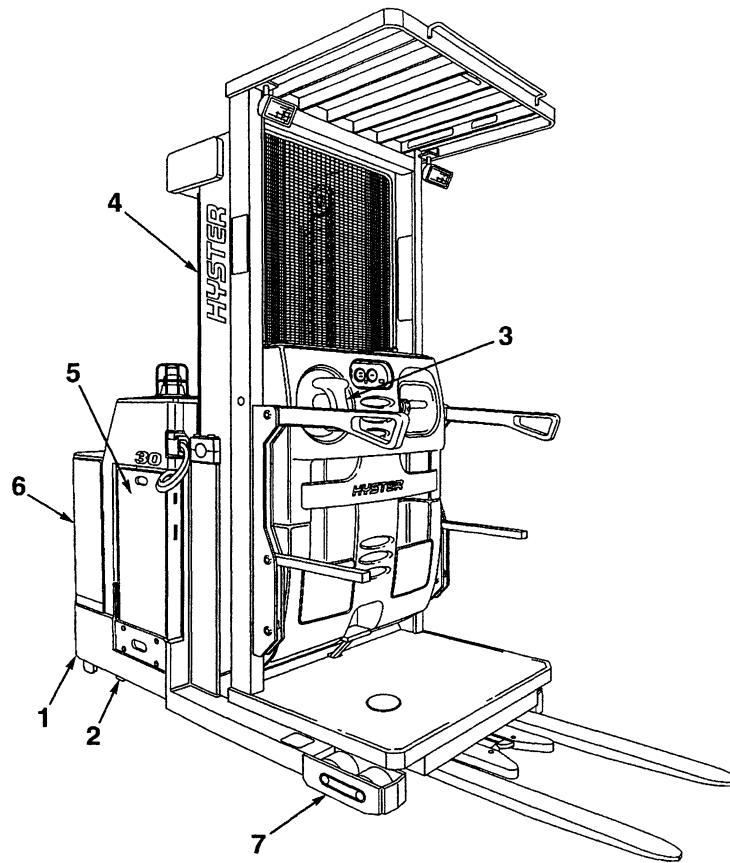
**(F118)**

**CUSTOMER EDITION**

# ***HYSTER***



## ILLUSTRATED CONTENTS



NA00160

REF.	DIVISION	PAGE
1	Frame .....	1
2	Drive Unit .....	9
3	Steering .....	17
4	Mast - Three Stage .....	23
5	Electrical .....	45
6	Hydraulic .....	67
7	Load Wheel .....	77
	Options .....	80

---

**TABLE OF CONTENTS**

<b>DESCRIPTION</b>	<b>PAGE NO.</b>
BATTERY CONNECTOR (Figure 33) .....	59
BATTERY PULLER (Figure 51) .....	86
CARRIAGE (Figure 25) .....	42
CASTER (Figure 3) .....	6
CHAINS, PINS, AND ANCHORS (Figure 16) .....	26
CHOKE MODULE (Figure 28) .....	50
CONTACTOR - FORWARD AND REVERSE (Figure 36) .....	63
CONTACTOR PANEL (Figure 35) .....	62
CONTACTOR - 1A PUMP (Figure 37) .....	64
CONTROL VALVE (Figure 40) .....	70
DECAL AND PLATE LOCATION (Figure 2) .....	4
DRIVE UNIT (Figure 7) FIRST USED ON S/N PENDING ECN 83232 .....	12
DRIVE UNIT (Figure 6) LAST USED ON S/N PENDING ECN 83232 .....	10
ELECTRICAL (Figure 27) FIRST USED ON S/N F118N01566W .....	48
ELECTRICAL (Figure 26) LAST USED ON S/N F118N01565W .....	46
ELECTRICAL - CARRIAGE (Figure 29) .....	52
ELECTRIC BRAKE (Figure 10) FIRST USED ON S/N F118N01580W .....	16
ELECTRIC BRAKE (Figure 9) LAST USED ON S/N F118N01579W .....	15
FIXED CONSOLE (Figure 4) .....	7
FORK (Figure 48) .....	83

---

**TABLE OF CONTENTS**

<b>DESCRIPTION</b>	<b>PAGE NO.</b>
FULL BODY FAN ARRANGEMENT (Figure 52) .....	87
GUIDANCE ASSEMBLY (Figure 32) .....	58
GUIDE ROLLER (Figure 56) .....	91
HOODS AND COVERS (Figure 1) .....	2
HYDRAULIC ARRANGEMENT (Figure 39) .....	68
HYDRAULIC TANK ASSEMBLY - R30XMF (Figure 44) .....	75
HYDRAULIC TANK ASSEMBLY - R30XM/R30XMA (Figure 43) .....	74
INSTRUMENT PANEL (Figure 30) .....	54
LIFT LIMIT OVERRIDE (Figure 53) .....	88
LIFT - OUTER, INTERMEDIATE, AND INNER WITHOUT WIRE GUIDANCE (Figure 23) R30XM, R30XMA FIRST USED ON S/N PENDING ECN 83173-08 .....	38
LIFT - OUTER, INTERMEDIATE, AND INNER WITH WIRE GUIDANCE (Figure 24) R30XM, R30XMA FIRST USED ON S/N PENDING ECN 83173-08 .....	40
LIFT - OUTER, INTERMEDIATE, AND INNER WITHOUT WIRE GUIDANCE (Figure 21) LAST USED ON S/N PENDING ECN 83173-08 .....	34
LIFT - OUTER, INTERMEDIATE, AND INNER WITH WIRE GUIDANCE (Figure 22) LAST USED ON S/N PENDING ECN 83173-08 .....	36
LIFT PUMP (Figure 41) .....	71
LIFT PUMP MOTOR (Figure 42) .....	72
LIGHT AND FAN ASSEMBLY (Figure 50) .....	85
MAIN CYLINDER - R30XM, R30XMA (Figure 19) FIRST USED ON S/N PENDING ECN 83173-08 .....	31

---

**TABLE OF CONTENTS**

<b>DESCRIPTION</b>	<b>PAGE NO.</b>
MAIN CYLINDER - R30XM, R30XMA (Figure 18) LAST USED ON S/N PENDING ECN 83173-08 .....	30
MAIN CYLINDER - R30XMF (Figure 20) .....	32
MAIN LIFT CYLINDER ARRANGEMENT (Figure 17) .....	28
MASTS - OUTER, INTERMEDIATE, AND INNER (Figure 15) .....	24
MULTI-FUNCTION CONTROL HANDLE (Figure 34) .....	60
MULTI-TURN STEERING (MTS) - WITHOUT WIRE GUIDANCE (Figure 54) .....	89
MULTI-TURN STEERING (MTS) - WITH WIRE GUIDANCE (Figure 55) .....	90
OPERATOR PLATFORM CONTROLS (Figure 5) .....	8
PALLET CLAMP (Figure 47) .....	82
RELAY PANEL (Figure 38) .....	65
SINGLE LOAD WHEEL (Figure 45) .....	78
SPEED REDUCER (Figure 13) .....	21
STEERING - RTC (Figure 14) .....	22
STEERING - WITH WIRE GUIDANCE (Figure 12) .....	20
STEERING - WITHOUT WIRE GUIDANCE (Figure 11) .....	18
TANDEM LOAD WHEEL (Figure 46) .....	79
TRACTION MOTOR (Figure 8) .....	14
TRACTION PANEL (Figure 31) .....	56
WIRE GUIDANCE SENSORS (Figure 49) .....	84

**HOW TO USE THE ILLUSTRATED PARTS MANUAL**

This parts manual describes and illustrates assemblies, subassemblies, and detail parts needed for service replacement.

The different constructions are indicated by keys, symbols, and footnotes.

**Page 2**  
SERIAL CODE E118  
**HYSTER**  
TABLE OF CONTENTS

DESCRIPTION	PAGE
Accelerator	58-59
Accumulator	64
Aisle-Drive	24-25
Aisle-Swearing	42-43
Brake	
Brake-Park Lever Actuated	
Brake-Park Switch Actuated	
Carriage Side-Spin	
Carriage With Two-Stage Full Free Lift	
Carriage With Full Free Lift	
Full Free Lift	

**Page 180**  
SERIAL CODE E118  
**HYSTER**  
INDEX-NUMERICAL

PART NO.	FIGURE NO.	REF. NO.	PART NO.	FIGURE NO.	REF. NO.	PART NO.	FIGURE NO.	REF. NO.
308267	48	1	370159	42	11	373123	11	14
308280	48	1	370250	43	7	373206	11	14
308311	47	2	370251	1	7	373207	82	373208
308615	46	2	370252	1	7	373211	70	373212
308616	54	1	370253	1	7	373220	66	373221
308618	30	2	370254	1	7	373222	66	373223
308642	48	8	370255	1	7	373223	66	373224
308643	42	8	370256	1	7	373224	66	373225
308648	43	8	370257	1	7	373224	66	373225
308649	32	8	370258	1	7	373224	66	373225

**Page 9**  
SERIAL CODE E118  
**HYSTER**  
MOTOR-TRACTION (Figure 4)  
LAST USED ON PENDING S/N PER ECN 98020

**KEY**  
A: 24 Volt-N30-40XWR, N25XMDR, N50XMA  
B: 36 Volt-N40XWR, N25XMDR, N50XMA  
C: 36 Volt-N45XWR, N50XMDR

REF. PART NO.	NAME OF PART	QTY.	REF. PART NO.
1	2016434 Motor	1	9 + 203204
2	2016435 Motor	1	9 + 203204
3	2015437 Motor	1	11 360
4	2014589 Motor	1	12 201
5	2014572 Motor	1	12 205
6	2032087 Cover-CE	1	12 + 201
7	2032089 Cover-CE	1	13 + 39
8	2032088 Cover-CE	1	13 + 20
9	2032090 Cover-CE	1	14
10	2032099 Yoke/Bearing Support	1	15 + 15
11	2032098 Brush	4	16
12	2015268 Yoke/Holder	1	17
13	360937 Spring-Brush	8	18
14	328780 Coil-Motor	1	19
15	360938 Connector	1	
16	360939 Field	1	
17	2032039 Field	1	
18	2032042 Field	1	
19	2032040 Field	1	

**Page 1**  
SERIAL CODE E118  
**HYSTER**  
ILLUSTRATED CONTENTS

REF. DIVISION	PAGE
1 Frame	1
2 Master Drive Unit	22
3 Steering	35
4 Brake System	44
5 Electrical System	56
6 Hydraulic	67
7 Mast-Vista Two Stage	72
8 Mast-Vista Three Stage	82
9 Carriage	96
10 Options	102

©1995 HYSTER COMPANY  
See Service Manual for service procedures  
12/1/95

**Please Click Here To Download The Complete Manual**  
**Download Other Manuals**  
**If Having Any Questions Feel Free To Contact us**

**[admin@servicemanualbit.com](mailto:admin@servicemanualbit.com)**