

# **PARTS MANUAL**

**E30FR-24, E30FR,  
E35FR, E40FR,  
E45FR, E50FR**

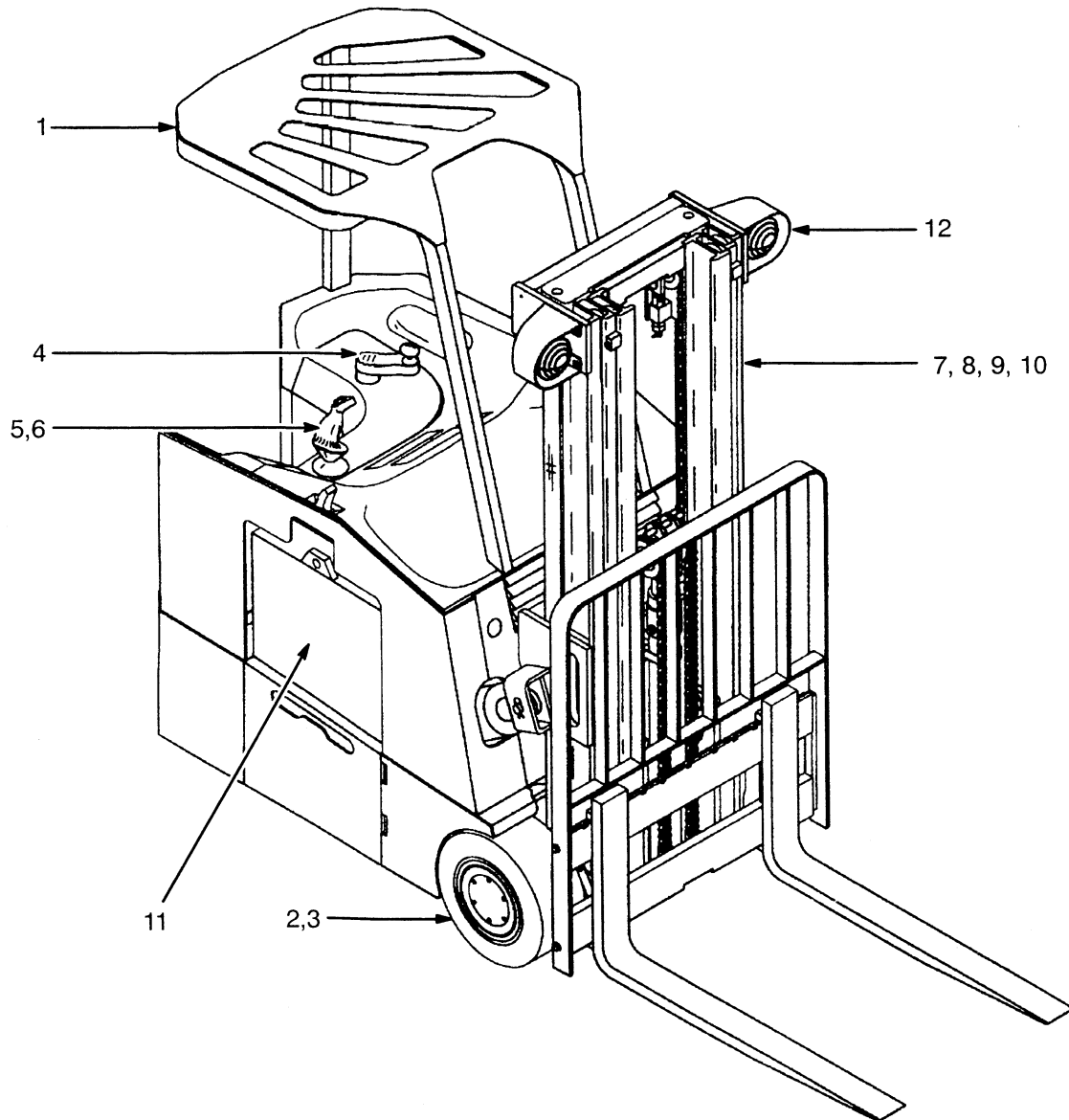
**(Z943)**

**CUSTOMER EDITION**

# ***HYSTER***



**ILLUSTRATED CONTENTS**



1	Frame .....	1
2	Drive Unit .....	11
3	Brakes .....	23
4	Steering .....	35
5	Operator Controls .....	47
6	Hydraulics .....	59
7	Mast - Two Stage Limited Free-Lift .....	77
8	Mast - Three Stage Full Free-Lift .....	97
9	Mast - Two Stage Full Free-Lift .....	121
10	Mast - Four Stage Full Free-Lift .....	147
11	Electrical .....	171
	Options .....	193
	Numerical Index .....	201

---

**TABLE OF CONTENTS**

<b>DESCRIPTION</b>	<b>PAGE NO.</b>
AUXILIARY HYDRAULIC ARRANGEMENT (Figure 29) .....	68
BATTERY DISCONNECT (Figure 24) .....	54
BATTERY RETAINERS AND ROLLERS (Figure 1) .....	2
BRAKE PEDAL LINKAGE (Figure 13) ELECTRIC STEER - FIRST USED ON Z943W03000U .....	30
BRAKE PEDAL LINKAGE (Figure 12) HYDRO-MECHANICAL STEER .....	28
DISC BRAKE UNIT (Figure 14) .....	32
BRUSH WEAR INDICATORS (Figure 82) .....	188
CAPACITOR ASSEMBLY (Figure 79) ELECTRIC STEER - FIRST USED ON Z943W03000U .....	182
CAPACITOR ASSEMBLY (Figure 78) HYDRO-MECHANICAL STEER .....	181
CARRIAGE AND LOAD BACKREST - STANDARD (Figure 65) FOUR STAGE FULL FREE-LIFT .....	152
CARRIAGE AND LOAD BACKREST - STANDARD (Figure 43) THREE STAGE FULL FREE-LIFT .....	102
CARRIAGE AND LOAD BACKREST - STANDARD (Figure 55)) TWO STAGE FULL FREE-LIFT .....	130
CARRIAGE AND LOAD BACKREST - STANDARD (Figure 34) TWO STAGE LIMITED FREE-LIFT .....	82
CARRIAGE - HANG-ON SIDESHIFT (Figure 68) FOUR STAGE FULL FREE-LIFT .....	158
CARRIAGE - HANG-ON SIDESHIFT (Figure 46) THREE STAGE FULL FREE-LIFT .....	108
CARRIAGE-HANG-ON SIDESHIFT (Figure 58) TWO STAGE FULL FREE-LIFT .....	136
CARRIAGE-HANG-ON SIDESHIFT (Figure 37) TWO STAGE LIMITED FREE-LIFT .....	88

---

**TABLE OF CONTENTS**

<b>DESCRIPTION</b>	<b>PAGE NO.</b>
CARRIAGE-INTEGRAL SIDESHIFT (Figure 66) FOUR STAGE FULL FREE-LIFT .....	154
CARRIAGE-INTEGRAL SIDESHIFT (Figure 44) THREE STAGE FULL FREE-LIFT .....	104
CARRIAGE-INTEGRAL SIDESHIFT (Figure 56) TWO STAGE FULL FREE-LIFT .....	132
CARRIAGE-INTEGRAL SIDESHIFT (Figure 35) TWO STAGE LIMITED FREE-LIFT .....	84
CARRIAGE-INTEGRAL SIDESHIFT (ACCEPTS ATTACHMENTS) (Figure 67) FOUR STAGE FULL FREE-LIFT .....	156
CARRIAGE-INTEGRAL SIDESHIFT (ACCEPTS ATTACHMENTS) (Figure 45) THREE STAGE FULL FREE-LIFT .....	106
CARRIAGE-INTEGRAL SIDESHIFT (ACCEPTS ATTACHMENTS) (Figure 57) TWO STAGE FULL FREE-LIFT .....	134
CARRIAGE-INTEGRAL SIDESHIFT (ACCEPTS ATTACHMENTS) (Figure 36) TWO STAGE LIMITED FREE-LIFT .....	86
CONTACTOR-FUSE PANEL (Figure 77) ELECTRIC STEER - FIRST USED ON Z943W03000U .....	180
CONTACTOR-FUSE PANEL (Figure 76) HYDRO-MECHANICAL STEER .....	178
CONTROL ELECTRONICS (Figure 81) ELECTRIC STEER - FIRST USED ON Z943W03000U .....	186
CONTROL ELECTRONICS (Figure 80) HYDRO-MECHANICAL STEER .....	184
CONTROL HANDLE ARRANGEMENT (Figure 20) .....	48
CONTROL HANDLE MECHANISM (Figure 22) .....	51
CONTROL HANDLE (Figure 21) .....	50
COVERS AND PADS (Figure 3) .....	6
DECAL AND PLATE LOCATION (Figure 4) .....	8
DRIVE UNIT - NEW PINION DESIGN (Figure 6) .....	16
DRIVE UNIT - ORIGINAL PINION DESIGN (Figure 5) .....	12

**TABLE OF CONTENTS**

<b>DESCRIPTION</b>	<b>PAGE NO.</b>
DRIVE WHEEL AND TIRE (Figure 7) .....	19
ELECTRICAL ARRANGEMENT (Figure 75) ELECTRIC STEER-FIRST USED ON Z943W03000U .....	176
ELECTRICAL ARRANGEMENT (Figure 74) HYDRO-MECHANICAL STEER VIEW A .....	170
VIEW B .....	172
ENCODER ASSEMBLY (Figure 8) HYDRO-MECHANICAL STEER .....	20
ENCODER/TILLER ARRANGEMENT (Figure 9) ELECTRIC STEER .....	21
FORK (Figure 69) FOUR STAGE FULL FREE-LIFT .....	160
FORK (Figure 47) THREE STAGE FULL FREE-LIFT .....	110
FORK (Figure 59) TWO STAGE FULL FREE-LIFT .....	138
FORK (Figure 38) TWO STAGE LIMITED FREE-LIFT .....	90
HOSE REEL-EXTERNAL (Figure 73) FOUR STAGE FULL FREE-LIFT VIEW A .....	166
VIEW B .....	167
HOSE REEL-EXTERNAL (Figure 51) THREE STAGE FULL FREE-LIFT VIEW A .....	116
VIEW B .....	117
HOSE REEL-EXTERNAL (Figure 54) TWO STAGE FULL FREE-LIFT VIEW A .....	126
VIEW B .....	127

**TABLE OF CONTENTS**

<b>DESCRIPTION</b>	<b>PAGE NO.</b>
HOSE REEL-EXTERNAL (Figure 40) TWO STAGE LIMITED FREE-LIFT VIEW A .....	92
TWO STAGE LIMITED FREE-LIFT VIEW B .....	93
LIGHT - FLASHING (Figure 85) .....	196
LIGHT - MAST MOUNT (Figure 83) .....	192
LIGHT - OVERHEAD GUARD MOUNT (Figure 84) .....	194
MAIN HYDRAULIC ARRANGEMENT (Figure 27) ELECTRIC STEER - FIRST USED ON Z943W03000U .....	64
MAIN HYDRAULIC ARRANGEMENT (Figure 28) HI-SPEED LIFT .....	66
MAIN HYDRAULIC ARRANGEMENT (Figure 26) HYDRO-MECHANICAL STEER FIRST USED ON Z943W02500U .....	62
MAIN HYDRAULIC ARRANGEMENT (Figure 25) HYDRO-MECHANICAL STEER LAST USED ON Z943W02499U .....	58
MANIFOLD VALVE - 11.25 IN (Figure 31) E30, 35, 40, 45, 50FR .....	72
MANIFOLD VALVE - 12 IN (Figure 30) E30FR-24 .....	70
MAST - FOUR FUNCTION HEADER HOSES (Figure 72) FOUR STAGE FULL FREE-LIFT .....	164
MAST - FOUR FUNCTION HEADER HOSES (Figure 62) TWO STAGE FULL FREE-LIFT .....	142
MAST - HEADER HOSE - AUXILIARY INTERNAL REEVING (Figure 50) THREE STAGE FULL FREE-LIFT .....	114
MAST - HEADER HOSE - INTERNAL (Figure 49) THREE STAGE FULL FREE-LIFT .....	112

---

**TABLE OF CONTENTS**

<b>DESCRIPTION</b>	<b>PAGE NO.</b>
MAST - INNER AND OUTER (Figure 52) TWO STAGE FULL FREE-LIFT .....	120
MAST - INNER AND OUTER (Figure 32) TWO STAGE LIMITED FREE-LIFT .....	76
MAST - INNER, INTERMEDIATE AND OUTER (Figure 41) THREE STAGE FULL FREE-LIFT .....	96
MAST - INNER, SECOND INTERMEDIATE, THIRD INTERMEDIATE AND OUTER (Figure 63) FOUR STAGE FULL FREE-LIFT .....	146
MAST - INSTALLATION (Figure 70) FOUR STAGE FULL FREE-LIFT .....	161
MAST - INSTALLATION (Figure 48) THREE STAGE FULL FREE-LIFT .....	111
MAST - INSTALLATION (Figure 60) TWO STAGE FULL FREE-LIFT .....	139
MAST - INSTALLATION (Figure 39) TWO STAGE LIMITED FREE-LIFT .....	91
MAST - LIFT (Figure 64) FOUR STAGE FULL FREE-LIFT .....	150
MAST - LIFT (Figure 42) THREE STAGE FULL FREE-LIFT .....	100
MAST - LIFT (Figure 53) TWO STAGE FULL FREE-LIFT .....	124
MAST - LIFT (Figure 33) TWO STAGE LIMITED FREE-LIFT .....	80
MAST - THREE FUNCTION HEADER HOSES (Figure 71) FOUR STAGE FULL FREE-LIFT .....	162
MAST - THREE FUNCTION HEADER HOSES (Figure 61) TWO STAGE FULL FREE-LIFT .....	140
MASTER CYLINDER ARRANGEMENT (Figure 11) ELECTRIC STEER - FIRST USED ON Z943W03000U .....	26



---

**TABLE OF CONTENTS**

<b>DESCRIPTION</b>	<b>PAGE NO.</b>
MASTER CYLINDER ARRANGEMENT (Figure 10) HYDRO-MECHANICAL STEER .....	24
MULTI-LEVER ASSEMBLY (Figure 23) .....	52
OVERHEAD GUARD (Figure 2) .....	4
STEER AXLE (Figure 17) .....	40
STEERING ARRANGEMENT (Figure 16) ELECTRIC STEER - FIRST USED ON Z943W03000U .....	38
STEERING ARRANGEMENT (Figure 15) HYDRO-MECHANICAL STEER .....	36
STEERING HYDRAULICS (Figure 19) FIRST USED ON Z943W02500U .....	44
STEERING HYDRAULICS (Figure 18) LAST USED ON Z943W02499U .....	42

## HOW TO USE THE ILLUSTRATED PARTS MANUAL

This parts manual describes and illustrates assemblies, subassemblies, and detail parts needed for service replacement.

The different constructions are indicated by keys, symbols, and footnotes.

**Page 2 SERIAL CODE B174**

**HYSTER**

**TABLE OF CONTENTS**

DESCRIPTION	PAGE
Accelerator	58-59
Accumulator	84
Auto-Drive	24-25
Auto-Steering	42-43
Brake	
Brake-Park Lever Actuated	
Brake-Park Seal Actuated	
Carriage Side-Shift	
Carriage Valve Two-Stage Full Free Lift	
Carriage Valve Two-Stage Full Free Lift	

**Page 9 SERIAL CODE B174**

**HYSTER**

**MOTOR-TRACTION (Figure 4)**

LAST USED ON PENDING SIN PER ECN 98020

**KEY**

A: 24 Volt-N30-40XMR, N25XMDR, N50XMA  
 B: 36 Volt-N40XMR, N25XMDR, N50XMA  
 C: 36 Volt-N45XMR, N25XMDR

REF.	PART NO.	NAME OF PART	QTY.	REF.	PART NO.
			A B C		
	+2015434	Motor	1	9	+2032040
	\$2015436	Motor	1	9	\$2032040
	+2015435	Motor	1	11	3697
	+2015437	Motor	1	12	2014
	+2014589	Motor	1	12	+201
	\$2014572	Motor	1	12	\$201
1	+2032087	Cover-CE	1	13	+39
1	\$2032089	Cover-CE	1	13	\$28
2	+2032086	Cover-CE	1	14	13
3	\$2032090	Cover-CE	1	15	27
2	2032086	Yoke/Bearing Support	4	4	16
4	2015268	Brush	1	1	17
5	360807	Yoke/Holder	8	8	18
6	328790	Spring-Brush	1	1	19
7	360839	Connector	1	1	1
9	+2032039	Field	1	1	1
9	\$2032042	Field	1	1	1
9	2032040	Field	1	1	1

**Page 183 SERIAL CODE B174**

**HYSTER**

**INDEX-NUMERICAL**

PART NO.	FIGURE	REF.	PART NO.	FIGURE	REF.	PART NO.	FIGURE	REF.	PART NO.	FIGURE	REF.	PART NO.	FIGURE	REF.
369867	48	1	370159	42	11	373128	71	14	373605	91	34	375150	2	2
369898	48	2	370250	43	7	373206	82	373606	22	3	375150	2	2	
369815	47	2	370251	1	7	373207	82	373607	22	3	375150	2	2	
369816	54	1	370252	1	1	373211	82	373613	22	4	375150	2	2	
369818	30	2	370253	1	1	373220	70	373614	43	4	375160	2	2	
369819	47	2	370254	1	1	373221	66	373615	26	2	375160	2	2	
369842	46	8	370255	1	1	373223	66	373617	40	11	375160	2	2	
369843	43	8	370256	1	1	373223	66	373617	40	11	375160	2	2	
369848	43	8	370257	1	1	373224	66	373617	40	11	375160	2	2	
369849	39	3	370258	1	1	373224	66	373617	40	11	375160	2	2	

**Page 1 SERIAL CODE B174**

**HYSTER**

**ILLUSTRATED CONTENTS**

REF.	DIVISION	PAGE
1	Frame	1
2	Master Drive Unit	22
3	Steering	35
4	Brake System	44
5	Electrical	56
6	Hydraulic	67
7	Mast-Vista Two Stage	72
8	Mast-Vista Three Stage	82
9	Carriage	96
10	Options	102

©1997 HYSTER COMPANY

See Service Manual for service procedures

12/1/95

**Please Click Here To Download The Complete Manual**  
**Download Other Manuals**  
**If Having Any Questions Feel Free To Contact us**

**[admin@servicemanualbit.com](mailto:admin@servicemanualbit.com)**