

PARTS MANUAL

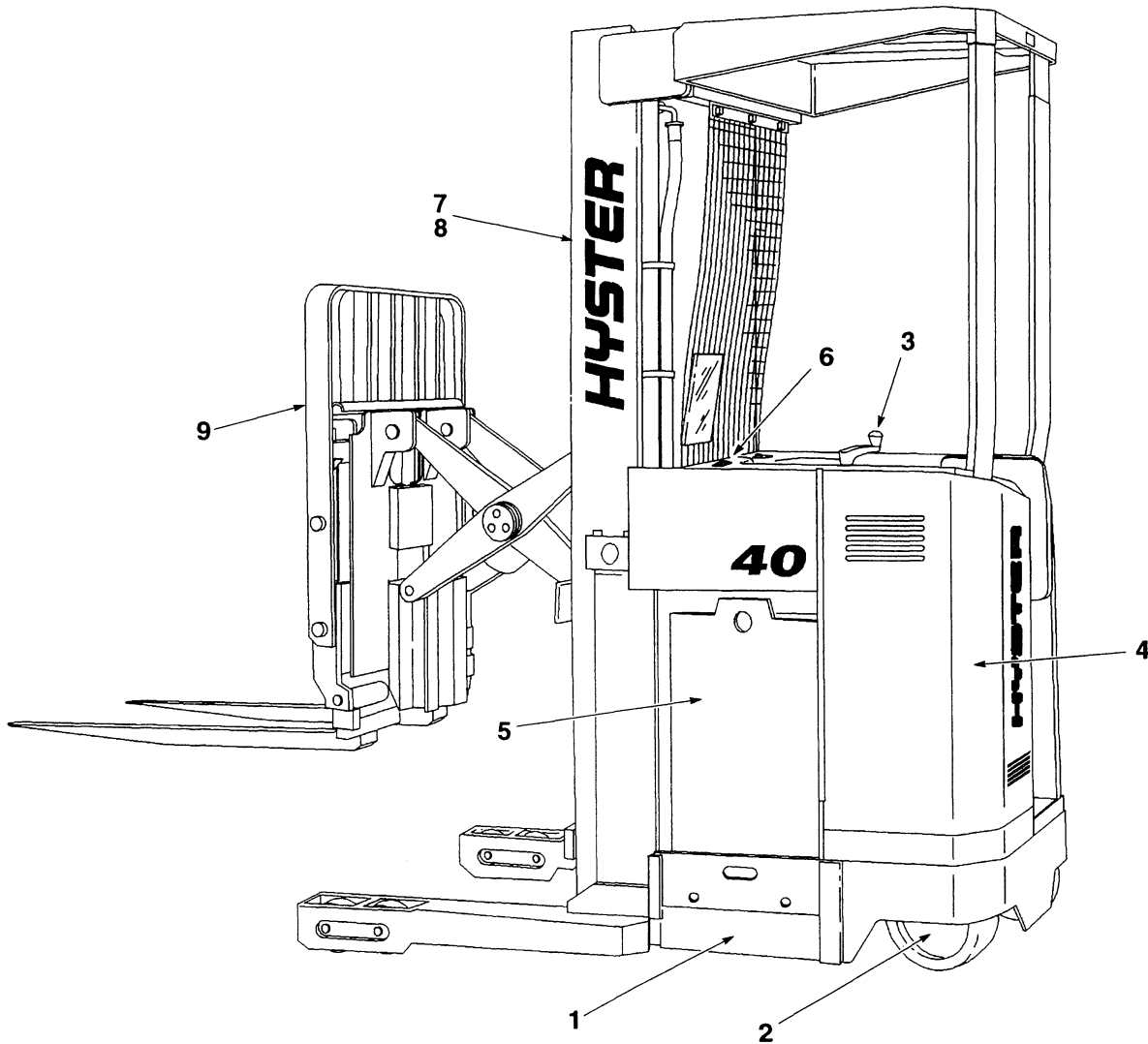
**ELECTRIC
N30, 40, 45XMR,
N25, 30XMDR,
N50XMA**

(E138)

CUSTOMER EDITION

HYSTER

ILLUSTRATED CONTENTS



REF.	DIVISION	PAGE
1	Frame	1
2	Drive Unit	11
3	Steering	21
4	Brakes	33
5	Electrical	41
6	Hydraulic	69
7	Mast—Two Stage—Limited Free Lift	87
8	Mast—Three Stage—Full Free Lift	97
9	Carriage	117
10	Options	133
11	Numerical Index	150

TABLE OF CONTENTS

DESCRIPTION	PAGE NO.
BACKREST (Figure 80) FRONT CARRIAGE MOUNT-48 INCH	139
BACKREST (Figure 79) SIDE REACH MOUNT-48 INCH	139
BATTERY CONNECTOR (Figure 40)	66
BRAKE (Figure 19)	36
BRAKE PEDAL AND OPERATOR SENSING SWITCH (Figure 21)	38
BRAKE SYSTEM (Figure 18)	34
CARRIAGE (Figure 69) N50XMA	128
CARRIAGE-INNER FRAME (Figure 68)	124
CARRIAGE-OUTER FRAME-SIDESHIFTER (Figure 65)	118
CARRIAGE-OUTER FRAME-STANDARD (Figure 64)	116
CARRIAGE-SCISSOR-24 INCH REACH (Figure 66)	120
CARRIAGE-SCISSOR-42 INCH REACH (Figure 67)	122
CASTER WHEEL (Figure 6)	14
CHAINS, PINS AND ANCHORS (Figure 59) THREE STAGE (FFL) FULL FREE LIFT	106
CHAINS, PINS AND ANCHORS (Figure 52) TWO STAGE (LFL) LIMITED FREE LIFT	90
CONTACTOR-FORWARD AND REVERSE (Figure 30) LAST USED ON S/N E138H03685U	54
CONTACTOR-FORWARD AND REVERSE "E" (Figure 31) FIRST USED ON S/N E138H03686U	55
CONTACTOR-FORWARD AND REVERSE "EE" (Figure 32) FIRST USED ON S/N E138H03686U	56
CONTACTOR-LIFT (Figure 33)	57
CONTACTOR-MAIN (Figure 29)	53
CONTACTOR PANEL "E" (Figure 24)	44
CONTACTOR PANEL "E" (Figure 25)	46

TABLE OF CONTENTS

DESCRIPTION	PAGE NO.
CONTACTOR PANEL "EE" (Figure 26)	48
CONTACTOR PANEL "EE" (Figure 27)	50
CONTACTOR-POWER STEER (Figure 28)	52
CONTROL HANDLE INSTALLATION (Figure 35) (MULTI-FUNCTION WITH SEPARATE LEVERS)	59
CONTROL HANDLE INSTALLATION (Figure 36) (MULTI-FUNCTION WITH OMNITROL LEVER)	60
CYLINDER INSTALLATION (Figure 60) THREE STAGE (FFL) FULL FREE LIFT	108
CYLINDER INSTALLATION (Figure 53) TWO STAGE (LFL) LIMITED FREE LIFT	92
CYLINDER-INTEGRAL SIDESHIFTER (Figure 72) 24 INCH AND 42 INCH REACH	129
CYLINDER-REACH (Figure 70) 24 INCH AND 42 INCH REACH	127
CYLINDER-SIDESHIFTER (Figure 76) HANG-ON	137
CYLINDER-TILT (Figure 71)	128
DC/DC CONVERTER (Figure 86)	148
DRIVE-MASTER (Figure 5)	12
DRIVE UNIT (Figure 7) N30XMR, N40XMR, N25XMDR, N50XMA 14.5:1 GEAR RATIO	16
DRIVE UNIT (Figure 8) N45XMR, N30XMDR 22.8:1 GEAR RATIO	18
ELECTRICAL ARRANGEMENT (Figure 23)	42
ELECTRICAL COMPONENTS (Figure 34) INSTRUMENT DISPLAY PANEL	58
FORKS (Figure 77) HOOK TYPE 1-1/2 4 INCH (40MM 100MM)	138
FORKS (Figure 78) SHAFT TYPE 1-3/4 4 INCH (45MM 100MM)	138

TABLE OF CONTENTS

DESCRIPTION	PAGE NO.
FREE LIFT CYLINDER (Figure 62) THREE STAGE (FFL) FULL FREE LIFT	112
GUARD-OPERATOR (Figure 3) FIRST USED ON S/N E138H0288V	7
GUARD-OPERATOR (Figure 2) LAST USED ON S/N E138H0287V	6
HANG-ON SIDESHIFTER (Figure 75) N50XMA	136
HEADER HOSE (Figure 57) THREE STAGE (FFL) FULL FREE LIFT	98
HEADER HOSE (Figure 73) TWO STAGE (LFL) LIMITED FREE LIFT N50XMA	132
HEADER HOSE (Figure 74) THREE STAGE (FFL) FULL FREE LIFT N50XMA	134
HOOD/COVERS (Figure 1)	2
HYDRAULIC CONTROL VALVE (Figure 43)	72
HYDRAULIC CONTROL VALVE AND FITTINGS (Figure 42)	70
HYDRAULIC SYSTEM (Figure 41)	68
LABELS AND PAINT (Figure 4)	8
LEVER-SEPARATE (Figure 38)	63
LIFT (Figure 51) TWO STAGE (LFL) LIMITED FREE LIFT	88
LIFT LIMIT SWITCH (Figure 55) TWO STAGE (LFL) LIMITED FREE LIFT	94
LIFT LIMIT SWITCH (Figure 63) THREE STAGE (FFL) FULL FREE LIFT	114
LIGHTS (Figure 81)	140
MAIN-FREE LIFT (Figure 58) THREE STAGE (FFL) FULL FREE LIFT	102
MAIN LIFT CYLINDER (Figure 61) THREE STAGE (FFL) FULL FREE LIFT	110

TABLE OF CONTENTS

DESCRIPTION	PAGE NO.
MAIN LIFT CYLINDER (Figure 54) TWO STAGE (LFL) LIMITED FREE LIFT	93
MAST-OUTER AND INNER (Figure 50) TWO STAGE (LFL) LIMITED FREE LIFT	86
MAST-OUTER, INTERMEDIATE AND INNER (Figure 56) THREE STAGE (FFL) FULL FREE LIFT	96
MASTER CYLINDER (Figure 22)	39
MOTOR-HYDRAULIC (Figure 49) FIRST USED ON S/N E138H02245U	82
MOTOR-HYDRAULIC (Figure 48) LAST USED ON S/N E138H02244U	80
MOTOR-STEER (Figure 12)	26
MOTOR-STEER/AUXILIARY (Figure 15) "EE" CONSTRUCTION	29
MOTOR-STEER/AUXILIARY (Figure 14) STANDARD "E" CONSTRUCTION	28
MOTOR-TRACTION (Figure 9)	20
MULTI-FUNCTION CONTROL HANDLE (Figure 37) (USED WITH SEPARATE CONTROL LEVERS)	61
MULTI-FUNCTION CONTROL HANDLE (Figure 39) (WITH OMNITROL LEVER)	64
OPERATOR LIGHT AND FAN (Figure 82)	142
POWER STEER ARRANGEMENT (Figure 10)	22
PUMP AND MOTOR-HYDRAULIC (Figure 46)	78
PUMP AND MOTOR-STEER/AUXILIARY (Figure 13)	27
PUMP-HYDRAULIC (Figure 47)	79
PUMP-STEER/AUXILIARY (Figure 16) LAST USED ON S/N E138N02639U	30

TABLE OF CONTENTS

DESCRIPTION	PAGE NO.
PUMP-STEER/AUXILIARY (Figure 17) FIRST USED ON S/N E138N02640U	31
SINGLE LOAD WHEEL (Figure 84)	145
SLAVE CYLINDER (Figure 20)	37
STEER CONTROL UNIT (Figure 11)	24
TANDEM LOAD WHEEL (Figure 83)	144
TANK-HYDRAULIC (Figure 45) FIRST USED ON S/N E138H02886V	76
TANK-HYDRAULIC (Figure 44) LAST USED ON S/N E138H02885V	74

HOW TO USE THE ILLUSTRATED PARTS MANUAL

This Parts manual describes and illustrates assemblies, subassemblies and detail parts needed for service replacement.

The different constructions are indicated by keys, symbols and footnotes.

Page 2
SERIAL CODE E138

HYSTER

TABLE OF CONTENTS

DESCRIPTION	PAGE
Accumulator	68-69
Accumulator	104
Aisle-Drive	34-35
Auto-Steering	42-43
Brake	
Brake-Park Lever Adjusted	
Brake-Park Switch Adjusted	
Carriage Side-Shift	
Carriage Mast Two-Stage Full Free Lift	
Carriage Mast Three-Stage Full Free Lift	
Full Free Lift	
Head Post	

Page 9
SERIAL CODE E138

HYSTER

MOTOR-TRACTION (Figure 4)
LAST USED ON PENDING SN PER ECH 96020

KEY:
A: 24 Volt-N30-40XMR, N32XMDR, N50XMA
B: 36 Volt-N40XMR, N32XMDR, N50XMA
C: 36 Volt-N45XMR, N50XMDR

REF.	PART NO.	NAME OF PART	QTY.	REF.	PART NO.
A	B	C			
			1	9	+ 203209
			1	9	\$ 203209
			1	10	3287
			1	11	3607
			1	12	2014
			1	12	2034
			1	12	+ 201
			1	12	\$ 201
			1	13	+ 34
			1	13	\$ 20
1	+ 2032087	Cover-CE	1	14	13
2	+ 2032088	Cover-CE	1	14	13
2	+ 2032090	Cover-CE	1	15	24
2	2032090	Yoke/Bearing Support	4	4	4
3	2032086	Brush	1	1	1
4	2013688	Yoke/holder	1	1	1
5	360937	Spring-Brush	8	8	8
6	328760	Spring-Brush	1	1	1
7	360938	Connector	1	1	1
8	360939	Field	1	1	1
9	+ 2032039	Field	1	1	1
9	\$ 2032042	Field	1	1	1
9	2032040	Field	1	1	1

©1998 HYSTER COMPANY

Page 103
SERIAL CODE E138

HYSTER

INDEX-NUMERICAL

PART NO.	FIGURE NO.	REF. NO.	PART NO.	FIGURE NO.	REF. NO.	PART NO.	FIGURE NO.	REF. NO.	PART NO.	FIGURE NO.	REF. NO.
360280	43	1	370150	42	11	373128	11	373605	91	34	375158
360281	46	1	370250	43	7	373205	82	373606	22	3	375159
360515	46	2	370251	1	1	373207	82	373607	22	3	375160
360616	54	1	370252	1	1	373211	82	373608	22	3	375161
360618	54	2	370253	1	1	373220	70	373609	22	3	375162
360619	30	2	370254	1	1	373221	66	373610	22	3	375163
360642	46	8	370255	1	1	373222	66	373611	26	11	375164
360643	42	8	370256	1	1	373223	66	373612	26	11	375165
360644	43	3	370257	1	1	373224	66	373613	26	11	375166
360645	30	2	370258	1	1	373225	66	373614	26	11	375167

Page 1
SERIAL CODE E138

HYSTER

ILLUSTRATED CONTENTS

REF.	DIVISION	PAGE
1	Frame	1
2	Master Drive Unit	1
3	Steering	22
4	Brake System	35
5	Electrical	44
6	Hydraulic	56
7	Mast-Vista Two Stage	67
8	Mast-Vista Three Stage	72
9	Carriage	82
10	Options	96

©1998 HYSTER COMPANY

See Service Manual for service procedures

12/1/95

WHEN THE PART NUMBER AND THE NEXT HIGHER ASSEMBLY IS NOT KNOWN:

1. USE: Determine the function and application of the part required. Turn to the Illustrated Contents page immediately behind the front cover, and select the most appropriate area.
2. Use the Section Index to determine the assembly which would normally contain the part required. Then locate the part on the assembly breakdown page.

WHEN THE PART NUMBER IS NOT KNOWN AND THE NEXT HIGHER ASSEMBLY IS KNOWN:

3. Determine the assembly the required part is used on. Turn to the Table of Contents page immediately following the Illustrated Contents.
4. Locate the assembly the required part is used on and turn to the page indicated for that assembly. Proceed then to locate the part on the assembly breakdown page.

WHEN THE PART NUMBER IS KNOWN:

5. Use the Numerical Index to find the part number. Turn to the Figure listed and locate the part as indicated by the reference number.

GENERAL:

The Assembly Breakdowns include part numbers, description, quantities required, keys and footnotes to help in selecting the correct parts.

6. Keys are used to show effective serial numbers for two or more similar assemblies, RH and LH assembly parts, etc. Select the appropriate key, "A", "B", "C", or "D" and the corresponding quantity column to find the required parts.
7. Indented descriptions under "Name of Part" are used to indicate subparts of assemblies. A major assembly is not indented. Parts under the first, second, or third indent are sub-parts of the major assembly shown above them.
8. Quantities shown are for one assembly. Note that two assemblies are shown, but the quantities of the subparts are indicated as three and three. This means three per assembly.
9. Engineering Change Notice (ECN) numbers for pending serial numbers are shown to allow for the inclusion of the most current parts information. Contact your local Dealer for Hyster Lift Trucks for serial number information listed by ECN number.

ORDERING PARTS:

When ordering replacement parts, give the unit serial number, part number, name of part and quantity required.

For any further information on parts, service, or ordering, consult your local Dealer for Hyster Lift Trucks.

Please Click Here To Download The Complete Manual
Download Other Manuals
If Having Any Questions Feel Free To Contact us

admin@servicemanualbit.com