

PARTS MANUAL

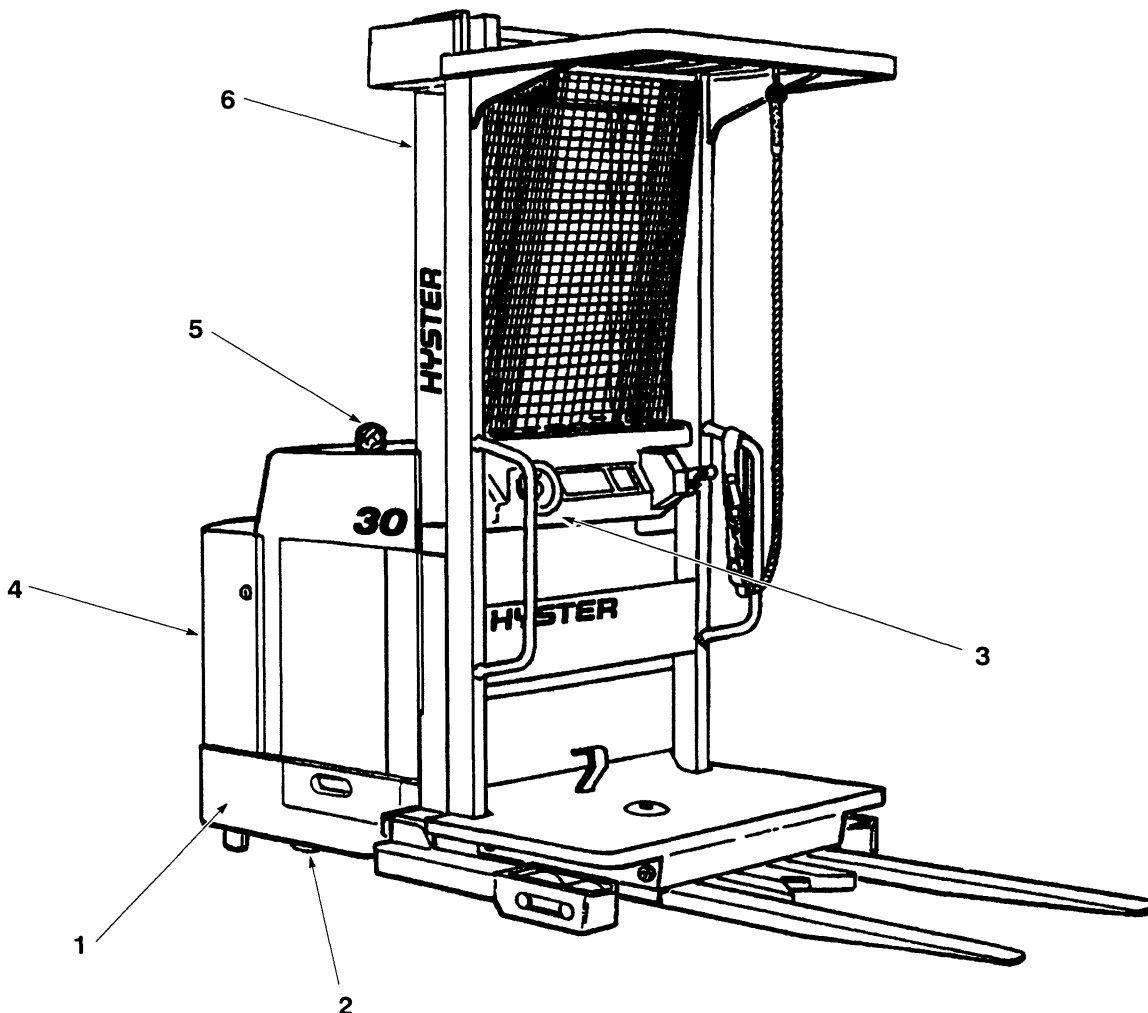
**ELECTRIC
R30F, FA, FF**

(E118)

CUSTOMER EDITION

HYSTER

ILLUSTRATED CONTENTS



REF.	DIVISION	PAGE
1	Frame	1
2	Drive Unit	9
3	Steering	17
4	Hydraulic	29
5	Electrical	41
6	Mast-Three-Stage (FFL) Full Free Lift	75
*	Options	95
*	Numerical Index	105

* NOT ILLUSTRATED

TABLE OF CONTENTS

DESCRIPTION	PAGE NO.
ACCELERATOR (Figure 38)	64
BRAKE (Figure 8)	15
CARRIAGE (Figure 54) EPS II	88
CARRIAGE (Figure 55) EPS III	90
CARRIAGE WITH SIDEGATES (Figure 65)	104
CASTER (Figure 4) FURNITURE SPECIAL ONLY	7
CHAINS, PINS, AND ANCHORS (Figure 52) THREE-STAGE (FFL) FULL FREE LIFT	84
CHOKE - EPS III SCR CONTACTOR (Figure 47)	73
CLAMP-PALLET (Figure 58)	96
CONTACTOR-FORWARD/REVERSE (Figure 42)	68
CONTACTOR-1A/PUMP (Figure 43)	69
CONTROL-STEERING (Figure 12)	22
CONTROL-STEERING (Figure 13) SELF CENTERING-EPS II	23
CONTROL-STEERING (Figure 14) SELF CENTERING-EPS III	24
CONTROL-STEERING (Figure 16) TACH-BELT DRIVEN-EPS III	26
CONTROL-STEERING (Figure 15) TACH-GEAR DRIVEN-EPS II	25
CONTROL VALVE (Figure 20)	32
CYLINDER-FREE LIFT (Figure 57) THREE-STAGE (FFL) FULL FREE LIFT	93
DISCONNECT-BATTERY (Figure 37)	63
DRIVE UNIT (Figure 6) FIRST USED ON S/N E118H02235P	12

TABLE OF CONTENTS

DESCRIPTION	PAGE NO.
DRIVE UNIT (Figure 5) LAST USED ON S/N E118H02234P	10
ELECTRICAL (Figure 27) CARRIAGE-EPS II	46
ELECTRICAL (Figure 28) CARRIAGE-EPS III	48
ELECTRICAL (Figure 25) EPS II	42
ELECTRICAL (Figure 26) EPS III	44
EPS II CONTROL MODULE AND POWER DISCONNECT (Figure 35) FIRST USED ON S/N E118N02056S	61
EXTINGUISHER-FIRE (Figure 62)	101
FORK (Figure 59)	97
GUIDANCE II CONTROL MODULE AND POWER DISCONNECT (Figure 36) FIRST USED ON S/N E118N02056S	62
GUIDANCE-WIRE (Figure 61)	100
HOODS AND COVERS (Figure 1)	2
HYDRAULIC ARRANGEMENT (Figure 19)	30
HYDRAULIC ARRANGEMENT (Figure 21) MAST MOUNTED ACCUMULATOR	34
LABELS-PAINT (Figure 2)	4
LIFT-INNER AND INTERMEDIATE (Figure 51) THREE-STAGE (FFL) FULL FREE LIFT WITH WIRE GUIDANCE	82
LIFT-INNER AND INTERMEDIATE (Figure 50) THREE-STAGE (FFL) FULL FREE LIFT WITHOUT WIRE GUIDANCE	80

TABLE OF CONTENTS

DESCRIPTION	PAGE NO.
LIFT-OUTER (Figure 49) THREE-STAGE (FFL) FULL FREE LIFT	78
LIGHTS/FAN (Figure 60)	98
MAIN AND FREE LIFT CYLINDER INSTALLATION (Figure 53) THREE-STAGE (FFL) FULL FREE LIFT	86
MAIN CYLINDER (Figure 56) THREE-STAGE (FFL) FULL FREE LIFT	92
MASTS-OUTER, INTERMEDIATE, AND INNER (Figure 48) THREE-STAGE (FFL) FULL FREE LIFT	76
MODULE-CONTROL (Figure 34) LAST USED S/N E118N2055S	60
MOTOR-HYDRAULIC (Figure 23)	37
MOTOR-STEERING (Figure 17)	27
MOTOR-TRACTION (Figure 7)	14
PANEL-CONTACTOR (Figure 41) EPS III	67
PANEL-CONTACTOR (Figure 40) FIRST USED ON S/N PENDING PER ECN 55995	66
PANEL-CONTACTOR (Figure 39) LAST USED ON S/N PENDING PER ECN 55995	65
PANEL-INSTRUMENT (Figure 31) EPS III	54
PANEL-INSTRUMENT (Figure 30) FIRST USED ON S/N E118H01821R	52
PANEL-INSTRUMENT (Figure 29) LAST USED ON S/N E118H01820R	50
PANEL-RELAY (Figure 46) EPS III	72

TABLE OF CONTENTS

DESCRIPTION	PAGE NO.
PANEL-RELAY (Figure 44) 150-INCH LIFT HEIGHT LIMIT	70
PANEL-RELAY (Figure 45) 272-INCH LIFT HEIGHT LIMIT	71
PANEL-TRACTION (Figure 32)	56
PANEL SCR-TRACTION CONTROL (Figure 33) EV100LX	58
PUMP-HYDRAULIC (Figure 22)	36
REDUCER-SPEED (Figure 18)	28
ROLLER-GUIDE (Figure 63)	102
STEERING (Figure 11) EPS III	20
STEERING (Figure 10) FIRST USED ON S/N E1181401625P	19
STEERING (Figure 9) LAST USED ON S/N E1181401624P	18
TANK-HYDRAULIC (Figure 24)	38
TRAY-BATTERY (Figure 64)	103
WHEEL-LOAD (Figure 3)	6

HOW TO USE THE ILLUSTRATED PARTS MANUAL

This Parts Manual describes and illustrates assemblies, subassemblies and detail parts needed for service replacement.

The different constructions are indicated by keys, symbols and footnotes.

Page 2 SERIAL CODE E118

HYSTER

TABLE OF CONTENTS

DESCRIPTION	PAGE
Accelerator	58-59
Accumulator	104
Auto-Drive	24-25
Auto-Steering	42-43
Brake	
Brake-Park Lever Adjuster	
Brake-Park Seal Adjuster	
Carriage Side-Shift	
Carriage Viste-Two-Stage Full Free Lift	
Carriage Viste-Three-Stage Full Free Lift	
Head Frame	

Page 3 SERIAL CODE E118

HYSTER

INDEX-NUMERICAL

PART NO.	FIGURE NO.	REF. NO.	PART NO.	FIGURE NO.	REF. NO.	PART NO.	FIGURE NO.	REF. NO.	PART NO.	FIGURE NO.	REF. NO.
368067	40	1	370159	42	11	373026	11	14	372605	91	34
368081	47	1	370250	43	11	373026	82	14	372608	22	3
368615	46	2	370251	1	1	373207	66	1	373113	22	3
368616	54	1	370252	1	1	373211	66	1	373113	22	3
368618	54	1	370253	1	1	373220	66	1	373113	22	3
368618	30	2	370254	1	1	373221	66	1	373113	22	3
368618	47	1	370255	1	1	373222	66	1	373113	22	3
368642	46	8	370256	1	1	373223	66	1	373113	22	3
368643	43	1	370257	1	1	373224	66	1	373113	22	3
368643	43	1	370258	1	1						
368648	30	1									

Page 4 SERIAL CODE E118

HYSTER

MOTOR-TRACTION (Figure 4)

LAST USED ON PENDING S/N PER ECH 90020

KEY

A: 24 Volt-N30-40XMR, N28XMDR, N50XMA
 B: 36 Volt-N40XMR, N28XMDR, N50XMA
 C: 36 Volt-N45XMR, N30XMDR

REF. PART NO.	NAME OF PART	A	B	C	QTY.	REF. PART NO.
+2015434	Motor	1	1	1	1	9 + 203204
\$2015436	Motor	1	1	1	1	9 \$203204
+2015435	Motor	1	1	1	1	10 3287
\$2015437	Motor	1	1	1	1	11 3607
+2014569	Motor	1	1	1	1	12 2017
\$2014572	Motor	1	1	1	1	12 +201
+2032087	Cover-CE	1	1	1	1	12 +\$201
\$2032089	Cover-CE	1	1	1	1	13 + 34
+2032088	Cover-CE	1	1	1	1	13 \$20
\$2032090	Cover-CE	1	1	1	1	14 15
2032086	Yoke/Bearing Support	4	4	4	4	15 26
2013266	Brush	1	1	1	1	16
360937	Yoke/Holder	1	1	1	1	17
328760	Spring	8	8	8	8	18
360938	Brush	1	1	1	1	19
360939	Connector	1	1	1	1	
+2032039	Field	1	1	1	1	
\$2032042	Field	1	1	1	1	
2032040	Field	1	1	1	1	

©1995 HYSTER COMPANY See Service Manual for service procedures

Page 1 SERIAL CODE E118

HYSTER

ILLUSTRATED CONTENTS

REF.	DIVISION	PAGE
1	Frame	1
2	Master Drive Unit	22
3	Steering	35
4	Brake System	44
5	Electrical	56
6	Hydraulic	67
7	Mast-Vista Two Stage	72
8	Mast-Vista Three Stage	82
9	Carriage	96
10	Options	102

©1995 HYSTER COMPANY See Service Manual for service procedures 12/1/95

WHEN THE PART NUMBER AND THE NEXT HIGHER ASSEMBLY ARE NOT KNOWN:

1. **USE:** Determine the function and application of the part required. Turn to the Illustrated Contents page immediately behind the front cover, and select the most appropriate area.
2. Use the Section Index to determine the assembly which would normally contain the part required. Then locate the part on the assembly breakdown page.

WHEN THE PART NUMBER IS NOT KNOWN AND THE NEXT HIGHER ASSEMBLY IS KNOWN:

3. Determine the assembly on which the required part is used. Turn to the Table of Contents page immediately following the Illustrated Contents.
4. Locate the assembly on which the required part is used and turn to the page indicated for that assembly. Then locate the part on the assembly breakdown page.

WHEN THE PART NUMBER IS KNOWN:

5. Use the Numerical Index to find the part number. Turn to the Figure listed and locate the part as indicated by the reference number.

GENERAL:

The Assembly Breakdowns include part numbers, description, quantities required, keys, and footnotes to help in selecting the correct parts.

6. Keys are used to show effective serial numbers for two or more similar assemblies, RH and LH assembly parts, etc. Select the appropriate key, "A," "B," "C," or "D," and the corresponding quantity column to find the required parts.
7. Indented descriptions under "Name of Part" are used to indicate subparts of assemblies. A major assembly is not indented. Parts under the first, second, or third indent are sub-parts of the major assembly shown above them.
8. Quantities shown are for one assembly. Note that two assemblies are shown, but the quantities of the subparts are indicated as three and three. This means three per assembly.
9. Engineering Change Notice (ECN) numbers for pending serial numbers are shown to allow for the inclusion of the most current parts information. Contact your local Dealer for Hyster Lift Trucks for serial number information listed by ECN number.

ORDERING PARTS:

When ordering replacement parts, give the unit serial number, part number, name of part, and quantity required.

For any further information on parts, service, or ordering, consult your local Dealer for Hyster Lift Trucks.

Please Click Here To Download The Complete Manual
Download Other Manuals
If Having Any Questions Feel Free To Contact us

admin@servicemanualbit.com