

PARTS MANUAL

CHALLENGER

**H300HD, H330HD, H360HD,
H360HD-EC
(E019)**

CUSTOMER EDITION

HYSTER

SECTIONS

1	FRAME
2	ENGINE ASSEMBLY
3	FUEL SYSTEM
4	ELECTRICAL SYSTEM
5	TRANSMISSION
6	DRIVE AXLE
7	STEERING SYSTEM
8	BRAKE SYSTEM
9	HYDRAULIC SYSTEM
10	MAST-TWO STAGE LIMITED FREE-LIFT
11	OPTIONS
12	NUMERICAL INDEX

This Parts Manual is divided into 12 major sections which are listed above. Quick reference to these sections can be made by placing the right thumb on the tab of the desired section, bending the book back and thumbing the pages to the corresponding tab.

TABLE OF CONTENTS

DESCRIPTION	PAGE
A	
ACCUMULATOR	8-12
PISTON TYPE	9-8
AIR COMPRESSOR	
PERKINS, SHEET 1 OF 2	2-66
PERKINS, SHEET 2 OF 2	2-68
AIR COMPRESSOR AND ATTACHING PARTS	
PERKINS	2-64
AIR CONDITIONER	
PERKINS	1-34
AIR CONDITIONING	
CUMMINS.....	1-36
AIR DRYER	2-34
AIR DUCT	
CAB.....	1-56
PERKINS	
TIER I ENGINE	2-60
AIR FILTER	
WITH ASPIRATED PRE-CLEANER	
TIER I ENGINE	3-18
TIER II ENGINE	3-36
WITHOUT ASPIRATED PRE-CLEANER	
TIER II ENGINE	3-34
WITHOUT ASPIRATED PRE-FILTER	
TIER I ENGINE	3-16
ALARM	11-50
ALTERNATOR	4-16
ARMREST	
PIVOT-UP	1-66
AUXILIARY DRIVE GEAR	
PERKINS	
TIER I ENGINE	2-46
TIER II ENGINE	2-98
AXLE HOUSING AND ATTACHING PARTS.....	6-18
B	
BLANKING PLATE AND PLUGS	
PERKINS	
TIER II ENGINE	2-102
BLANKING PLUG, OIL FEED AND HOSES	
PERKINS	
TIER II ENGINE	2-100
BRAKE ASSEMBLY	
DRY BRAKE	8-16
WET BRAKE.....	8-14
BRAKE CHAMBER	8-18
BRAKE SYSTEM	
DRY	8-6
WET	8-2
BRAKE VALVE	
DRY BRAKE	8-22
WET BRAKE.....	8-20

TABLE OF CONTENTS (Continued)

DESCRIPTION	PAGE
C	
CAB AND ATTACHING PARTS	1-12
CAB AND TILT CYLINDER MOUNTING.....	1-24
CAB HARDWARE AND CONTROL COVER.....	1-52
CAB MOUNTED DRIVE LIGHTS	11-46
CAMSHAFT AND ROCKER ASSEMBLY	
PERKINS	
TIER II ENGINE	2-80
CARRIAGE	
FOUR AND FIVE FUNCTION.....	10-18
FOUR, FIVE, AND SIX FUNCTION.....	10-16
INDIVIDUAL FORK POSITIONER.....	10-20
FOUR FUNCTION	
S/N PENDING PER ECN 68183⇒.....	10-22
SIMULTANEOUS FORK POSITIONER	10-26
THREE FUNCTION	10-14
CHARGE PUMP	5-26
CLUTCH	
FORWARD AND LOW	5-16
REVERSE AND SECOND.....	5-18
THIRD.....	5-20
COLUMN ASSEMBLY	
STEERING.....	7-6
CONDENSOR	1-44
CONTROL LEVER	
ELECTRONIC	
S/N E019E-01915A⇒	9-30
HYDRAULIC	
⇒S/N E019E-01914A	9-28
CONTROL VALVE	
⇒S/N E019E-01696Z (FLT), ⇒S/N E019E-01699Z (ECH)	9-20
S/N E019E-01697Z⇒ (FLT), S/N E019E-01700Z⇒ (ECH)	9-22
TRANSMISSION.....	5-30
COOLING	
CUMMINS	
TIER I ENGINE	
S/N PENDING PER ECN 68046⇒.....	2-24
⇒S/N PENDING PER ECN 68046.....	2-22
PERKINS	
TIER I ENGINE	2-14
TIER II ENGINE	2-18
COUNTERWEIGHT	1-6
CRANKSHAFT AND MAIN BEARINGS	
PERKINS	
TIER II ENGINE	2-76
CRANKSHAFT AND PISTON	
PERKINS	
TIER I ENGINE	2-40
CYLINDER BLOCK	
PERKINS	
TIER I ENGINE	2-38
TIER II ENGINE	2-70

TABLE OF CONTENTS (Continued)

DESCRIPTION	PAGE
C (continued)	
CYLINDER HEAD	
PERKINS	
TIER I ENGINE	2-42
TIER II ENGINE	2-72
CYLINDER HEAD COVER	
PERKINS	
TIER II ENGINE	2-74
D	
DASH DISPLAY	1-58
DIFFERENTIAL AND CARRIER	
DRY BRAKE	
S/N PENDING PER ECN 68193⇒	6-14
⇒S/N PENDING PER ECN 68193	6-10
WET BRAKE	
S/N PENDING PER ECN 68193⇒	6-6
⇒S/N PENDING PER ECN 68193	6-2
DIRECTIONAL CONTROL VALVE	
S/N PENDING PER ECN 68183⇒	11-36
DOOR	
GLASS	1-16
STEEL	1-20
E	
ELECTRIC PUMP	1-32
ELECTRICAL SYSTEM	
CONTAINER HANDLING ATTACHMENT (553)	11-94
CONTAINER HANDLING ATTACHMENT (555)	11-96
CONTAINER HANDLING ATTACHMENT (558)	11-98
CUMMINS	4-10
PERKINS	
TIER I ENGINE	4-2
TIER II ENGINE	4-6
ELECTRONIC CONTROL MODULE AND MOUNTING	
PERKINS	
TIER II ENGINE	2-120
END BEAM ASSEMBLY	
CONTAINER HANDLING ATTACHMENT (555)	11-70
CONTAINER HANDLING ATTACHMENT (558)	11-72
EMPTY CONTAINER HANDLER (553)	11-68
ENGINE ASSEMBLY	2-4
ENGINE BLOCK HEATER	
S/N PENDING PER ECN 68165-02⇒	2-32
⇒S/N PENDING PER ECN 68165-02	2-30
ENGINE LIFTING EYES	
PERKINS	
TIER II ENGINE	2-118
ENGINE MOUNT	
CUMMINS	2-28

TABLE OF CONTENTS (Continued)

DESCRIPTION	PAGE
E (continued)	
PERKINS	2-27
EXHAUST	
CUMMINS	
TIER I ENGINE	
S/N PENDING PER ECN 68046⇒	2-12
⇒S/N PENDING PER ECN 68046	2-10
PERKINS	
TIER I ENGINE	2-6
TIER II ENGINE	2-8
EXTENSION CYLINDER	
CONTAINER HANDLING ATTACHMENT (SERIES 553, 555, 558)	11-76
F	
FAN DRIVE AND PULLEY	
PERKINS	
TIER II ENGINE	2-96
FLOOR PLATES AND COVERS	
S/N PENDING PER ECN 68165⇒	1-10
⇒S/N PENDING PER ECN 68165	1-8
FLYWHEEL	
PERKINS	2-36
FORK.....	10-30
FORK POSITIONING CYLINDER.....	10-28
FRONT BACK-UP TAIL LIGHTS AND SIDE LIGHTS	11-42
FRONT DRIVE PULLEY	
PERKINS	
TIER II ENGINE	2-94
FUEL FILTER	
PERKINS	
TIER I ENGINE	3-14
FUEL FILTER ASSEMBLY	
PERKINS	
TIER II ENGINE	3-32
FUEL INJECTION	
PERKINS	
TIER I ENGINE	3-8
FUEL INJECTION PUMP AND GEAR	
PERKINS	
TIER II ENGINE	3-22
FUEL INJECTION SUPPLY AND RETURN LINES	
PERKINS	
TIER II ENGINE	3-26
FUEL SYSTEM	
CUMMINS.....	3-6
PERKINS	
TIER I ENGINE	3-4
TIER II ENGINE	3-20

TABLE OF CONTENTS (Continued)

DESCRIPTION	PAGE
G	
GENERAL TRUCK	1-2
H	
HAND PUMP	
CAB TILT	1-30
HEADER HOSE	
EMPTY CONATAINER HANDLER	
S/N PENDING PER ECN 68183-02⇒	11-60
EMPTY CONTAINER HANDLER	
⇒S/N PENDING PER ECN 68183-02	11-56
TWO STAGE LIMITED FREE-LIFT	
S/N PENDING PER ECN 68183⇒	10-36
⇒S/N PENDING PER ECN 68183	10-32
HEATER AND AIR CONDITIONER.....	1-42
HEATER ARRANGEMENT	
CUMMINS.....	1-40
PERKINS	1-38
HIGH PRESSURE FUEL PIPES	
PERKINS	
TIER II ENGINE	3-24
HOOD.....	1-4
HUB AND SHAFT ASSEMBLY	
DRY BRAKE	
S/N PENDING PER ECN 68193⇒	6-26
⇒S/N PENDING PER ECN 68193	6-24
WET BRAKE	
S/N PENDING PER ECN 68193⇒	6-22
⇒S/N PENDING PER ECN 68193	6-20
HYDRAULIC CONTROL AND TWISTLOCK	
EMPTY CONTAINER HANDLER.....	1-62
HYDRAULIC PUMP.....	9-18
HYDRAULIC SUPPLY AND RETURN.....	9-2
HYDRAULIC SYSTEM	
CONTAINER HANDLING ATTACHMENT (553).....	11-88
CONTAINER HANDLING ATTACHMENT (555).....	11-90
CONTAINER HANDLING ATTACHMENT (558).....	11-92
HYDRAULIC TANK AND ATTACHING PARTS	
S/N PENDING PER ECN 68165⇒	9-12
⇒S/N PENDING PER ECN 68165	9-10
HYDRAULIC VALVE AND ATTACHING PARTS	9-14
I	
IDLER GEAR	
PERKINS	
TIER II ENGINE	2-92
IDLER SHAFT	5-22
INCHING PEDAL AND ACCESSORIES	
CAB.....	1-54
INCHING PEDAL LINKAGE	5-8
INDICATOR DISPLAY ASSEMBLY	1-60
INNER MAST	10-4

TABLE OF CONTENTS (Continued)

DESCRIPTION	PAGE
I (continued)	
INSTALLATION	
EMPTY CONTAINER HANDLER.....	11-64
J	
JOYSTICK CONTROL.....	9-26
L	
LABELS.....	1-68
LIFT.....	10-6
LIFT ACCUMULATOR AND ATTACHING PARTS.....	9-6
LIFT CYLINDER	
EMPTY CONTAINER HANDLER.....	10-12
NON-EC.....	10-10
LIFT PUMP	
PERKINS	
TIER I ENGINE.....	3-12
LIFT PUMP AND FUEL FILTER LINES	
PERKINS	
TIER II ENGINE.....	3-28
LIFT PUMP ASSEMBLY	
PERKINS	
TIER II ENGINE.....	3-30
LIFTING EYES.....	11-48
LOW PRESSURE SYSTEM	
PERKINS	
TIER I ENGINE.....	3-10
LUBRICANT ARRANGEMENT	
PERKINS	
TIER I ENGINE.....	2-62
M	
MAIN FRAME.....	11-66
MANIFOLDS	
PERKINS	
TIER I ENGINE.....	2-54
TIER II ENGINE.....	2-90
MAST AND REAR WORK LIGHTS.....	11-40
MAST INSTALLATION.....	9-38
MODULATOR VALVE.....	5-28
MONOTROL PEDAL.....	3-48
O	
OIL COOLER.....	8-10
OIL COOLER AND CONNECTIONS	
PERKINS	
TIER II ENGINE.....	2-108
OIL FILTER	
PERKINS	
TIER I ENGINE.....	2-52

TABLE OF CONTENTS (Continued)

DESCRIPTION	PAGE
O (continued)	
OIL FILTER AND ATTACHING PARTS	
PERKINS	
TIER II ENGINE	2-106
OIL PUMP AND DELIVERY HOUSING	
PERKINS	
TIER II ENGINE	2-104
OIL SUMP	
PERKINS	
TIER I ENGINE	2-48
TIER II ENGINE	2-88
OUTER MAST	10-2
OUTPUT GEAR.....	5-24
P	
PARK BRAKE	
WET BRAKE.....	6-28
PICK-UP SENSORS	
PERKINS	
TIER II ENGINE	2-124
PILOT VALVE	9-24
PISTON AND CONNECTING ROD	
PERKINS	
TIER II ENGINE	2-78
PUMP DRIVE GEARS.....	5-14
S	
SEAT ASSEMBLY	
AIR.....	1-46
MECHANICAL	1-48
SIDE-SHIFT CARRIAGE	
DUAL FUNCTION WITH FORK POSITIONER	11-30
FOUR AND FIVE FUNCTION	
⇒S/N PENDING PER ECN 68183	11-6
FOUR, FIVE, AND SIX FUNCTION	
S/N PENDING PER ECN 68183⇒	11-10
INDIVIDUAL FORK POSITIONER	
FIVE FUNCTION	
S/N PENDING PER ECN 68183⇒.....	11-18
⇒S/N PENDING PER ECN 68183	11-14
SIMULTANEOUS FORK POSITIONER	
FOUR FUNCTION	
S/N PENDING PER ECN 68183⇒.....	11-26
⇒S/N PENDING PER ECN 68183	11-22
THREE FUNCTION	11-4
SIDE-SHIFT CYLINDER	11-34
CONTAINER HANDLING ATTACHMENT (553, 555, 558).....	11-86
DUAL FUNCTION WITH FORK POSITIONER	11-38
STARTER MOTOR	
TIER I ENGINE.....	4-14

TABLE OF CONTENTS (Continued)

DESCRIPTION	PAGE
S (continued)	
STEERING AXLE	7-10
STEERING COLUMN.....	7-4
STEERING CYLINDER.....	7-14
STEERING PUMP.....	7-8
STEERING SYSTEM	7-2
STROBE LIGHT	11-44
T	
THERMOSTAT AND WATER OUTLET HOUSING	
PERKINS	
TIER II ENGINE	2-110
THROTTLE LINKAGE	
CUMMINS.....	3-42
PERKINS	3-40
THROTTLE PEDAL LINKAGE	
FORWARD AND REVERSE LEVER	3-44
MONOTROL PEDAL.....	3-46
TILT CYLINDER	9-36
CAB.....	1-28
TILT CYLINDER AND ATTACHING PARTS	9-34
TIMING CASE AND ALTERNATOR MOUNTING	
PERKINS	
TIER II ENGINE	2-82
TIMING COVER	
PERKINS	
TIER II ENGINE	2-84
TIMING GEAR	
PERKINS	
TIER I ENGINE	2-44
PERKINS	
TIER II ENGINE	2-86
TIRE AND WHEEL	
11.00 X 20	
14 PLY	11-52
12.00 X 20	
16 PLY	11-53
SOLID.....	11-54
TORQUE CONVERTER HOUSING	
CUMMINS.....	5-4
PERKINS	5-2
TRAINING SEAT	1-50
TRANSMISSION	5-10
TRANSMISSION MOUNT AND ATTACHING PARTS	5-6
TURBO DRAIN PIPE AND BLANKING PLATE	
PERKINS	
TIER II ENGINE	2-116
TURBOCHARGER	
PERKINS	
TIER I ENGINE	2-58

TABLE OF CONTENTS (Continued)

DESCRIPTION	PAGE
T (continued)	
TURBOCHARGER AND ATTACHING PARTS	
PERKINS	
TIER II ENGINE	2-114
TWIST LOCK CYLINDER	
CONTAINER HANDLING ATTACHMENT (558).....	11-79
V	
VALVE ASSEMBLY	
CONTAINER HANDLING ATTACHMENT (553, 555, 558)	
MAIN FRAME.....	11-82
CONTAINER HANDLING ATTACHMENT (558)	
END BEAM.....	11-80
VALVE COVER	
PERKINS	
TIER I ENGINE	2-50
W	
WATER PUMP	
PERKINS	
TIER I ENGINE	2-56
TIER II ENGINE	2-112
WATER SEPARATOR	
PERKINS	3-38
WEAR PADS	
CONTAINER HANDLING ATTACHMENT (553, 555, 558).....	11-84
WINDOW WASHER AND ARMREST ASSEMBLY	1-64
WIRE HARNESS	
ARMREST	
WITH CLOSED CAB	4-26
WITH OPEN CAB.....	4-28
AUTOSHIFT BY-PASS.....	4-30
CAB SIDE CONSOLE	
⇒S/N E019E-01690Z Perkins, ⇒S/N E019E-1776Z Cummins.....	4-34
S/N E019E-01691Z⇒ Perkins, S/N E019E-01777Z⇒ Cummins.....	4-38
CAB TILT.....	4-43
CAB UNDERFLOOR	4-32
CLOSED CAB.....	4-24
OPEN CAB	4-22
REAR WIPER.....	4-20
STEERING COLUMN.....	4-18
TWO STAGE LIMITED FREE-LIFT.....	4-44
WIRING LOOMS	
PERKINS	
TIER II ENGINE	2-122

ABBREVIATIONS QUICK REFERENCE SHEET

Listed below are abbreviations used in parts manuals to denote the following expressions:

TERM	DEFINITION	TERM	DEFINITION
Amp	Amperes	FRE	Freezer Environment
AR	As Required	in.	inches
BDI	Battery Discharge Indicators	LPG	Liquefied Petroleum Gas
BWI	Brush Wear Indicator	MAP	Manifold Absolute Pressure
CE	Communicator End	mm	millimeters
CRE	Corrosive Environment	MSTS	Microprocessor Spark Timing System
D/B	Date Break	NPT	National Pipe Threads
dbA	Decibel "A" Scale	O/S	Oversize
DE	Drive End	PTO	Power Take Off
ECH	Empty Container Handler	RPM	Revolutions per Minute
ECH-3	Empty Container Handler - 3 High Stacking	S/N	Serial Number
ECH-4	Empty Container Handler - 4 High Stacking	TMM	Truck Management Module
ECH-5	Empty Container Handler - 5 High Stacking	UL Type D	Diesel-Powered Safety Rating
ECH-6	Empty Container Handler - 6 High Stacking	UL Type DS	Diesel-Powered Safety Rating
ECH-7	Empty Container Handler - 7 High Stacking	UL Type E	Battery-Powered Safety Rating
ECM	Electronic Control Module	UL Type EE	Battery-Powered Safety Rating
ECN	Engineering Change Notice	UL Type ES	Battery-Powered Safety Rating
EEPROM	Electrically Erasable Programmable Read Only Memory	UL Type G	Gasoline-Powered Safety Rating
EPROM	Electrically Programmable Read Only Memory	UL Type GS	Gasoline-Powered Safety Rating
		UL Type LP	Gas-Powered Safety Rating
		UL Type LPS	LP Gas-Powered Safety Rating
		U/S	Undersize
		UL	Underwriters Laboratory
		V	Volts

HOW TO USE THE ILLUSTRATED PARTS MANUAL

This parts manual describes and illustrates assemblies, subassemblies, and detail parts needed for service replacement.

The different constructions are indicated by keys and footnotes. The callouts correspond to descriptions found on the the next page.

HYSTER UNIT CODE D001 NORTH AMERICA 06/2001

TABLE OF CONTENTS

DESCRIPTION	PAGE
AIR INTAKE AND FILTER DIESEL (⇒ D/B 11/96).....	3-22
AIR INTAKE AND FILTER DIESEL (D/B 11/96 ⇒).....	
AIR INTAKE AND FILTER GASOLINE AND LPG.....	
ALTERNATOR GASOLINE, LPG, AND DIESEL -	
ALTERNATOR TYPES GS, LPS, AND DS.....	
AUXILIARY FUNCTION TUBE TWO AND THREE STAGE FULL F.....	

SECTION 13 NUMERICAL INDEX

PART NO.	ITEM PAGE NO.	PART NO.	ITEM PAGE NO.	PART NO.	ITEM PAGE NO.	PART NO.	ITEM PAGE NO.
142	3-4 19	10-13	25	11-27	29	12-31	12
12445	3-32 19	10-17	6	11-31	25	16719	3-35 5
	3-34 1	10-27	11	11-32	37	16751	3-16 27
		11-11	6	8-4	28	16849	3-34 21
		12-21	11	8-8	34	16863	3-36 20
		4	13	9-7	9	16865	3-6 17
		12	5	9-7	19	16882	4-27 41
		3	17	9-11	9		9-7 30
		9	10	9-11	17		9-11 27
		23	46	10-9	21		10-10 36
		27	46	10-9	28		10-13 32
		26	14	10-13	16		11-7 24
		28	14	11-7	19		11-9 17
		30	14				

SECTIONS

- 1
- 2
- 3
- 4
- 5
- 6
- 7
- 8
- 9
- 10
- 11

FRAME

ELECTRICAL SYSTEM

BRAKE/ACC

MAST-TWO STAGE

MAST-THREE STAGE

MAST-TWO STAGE

TRANSMISSION HOUSING
⇒ S/N D001H-2628

KEY:
A: Diesel
B: Gasoline and LPG

ITEM	PART NO.	DESCRIPTION	QTY	
			A	B
		Transmission	1	1
	2022547	Transmission	1	1
	2023329	Transmission	2	2
	2021670	Case	4	4
	2023418	Case	4	4
1	2021670	Bearing Cap	1	1
2	296426	Washer	2	2
3	296426	Washer	2	2
4	296426	Washer	4	4
5	2021380	Bolt	1	1
6	1371656	Coil	2	2
7	2021329	Coil	4	4
8	2021915	Coil	1	1
9	2021675	O-Ring	1	1
10	2021336	Plug	4	4
11	287860	Plug	22	22
12	292682	Housing	39	39
13	292682	Bolt	1	1
		Lockwasher	1	1
		Hydraulic Pump	1	1
		Figure 5-3	8	8
		Gasket	8	8
		Bolt	1	1
		Washer	1	1
		Temperature Switch	1	1
		Breather	9	9
		Dipstick	9	9
		Bolt	2	2
		Nut	3	3
		Bolt	3	2
		Capcrew	4	4
		Lockwasher	4	4
		Bolt	1	1
		Washer	1	1
	996403	Transmission Kit (Includes Item 7)	1	1
	996405	Transmission Kit (Includes Item 14)	1	1

This Parts Manual is divided into 11 major sections which are listed above. Quick reference may be made by placing the right thumb on the tab of the desired section, bending the pages to the corresponding tab.

See Service Manual for service procedures

© Copy Right Date HYSTER COMPANY

5-15

HOW TO FIND THE DESIRED PART NUMBER

WHEN THE PART NUMBER AND THE NEXT HIGHER ASSEMBLY IS NOT KNOWN:

1. Determine the function and application of the part required. Turn to the Sections Page. Choose the general area of reference most likely to include the part.
2. Turn to the section you chose. Use the Section Table of Contents to determine the assembly which would normally contain the part required. Then locate the part on the assembly breakdown page.

WHEN THE PART NUMBER IS NOT KNOWN AND THE NEXT HIGHER ASSEMBLY IS KNOWN:

3. Determine the assembly the required part is used on. Turn to the Table of Contents on Page i.
4. Locate the assembly the required part is used on and turn to the page indicated for that assembly. Then locate the part on the assembly breakdown page.

WHEN THE PART NUMBER IS KNOWN:

5. Use the Numerical Index on Page 12-1 to find the part number. Turn to the page listed and locate the part as indicated by the item number.

GENERAL:

The assembly breakdowns include part numbers, descriptions, quantities required, keys and footnotes to help in selecting correct parts.

6. Five periods in the PART NO. column (.) indicate that the part is either *Not Serviced Separately* or there is a reference to another figure. A figure reference is denoted by a pointing hand followed by a figure number in the DESCRIPTION column (☞ Figure 10)
7. Keys are used to show two or more similar assemblies, RH and LH assembly parts, etc. Select the appropriate key, "A", "B", "C", "D", or "E" and the corresponding quantity column to find the required parts. Two periods in the QTY column (..) indicate that the part is not used for that assembly.
8. Indented descriptions under the DESCRIPTION column are used to indicate assemblies and subparts of assemblies. In the example on the

previous page, *BEARING CAP* (Item 2) is a subpart of the major assembly *CASE*.

9. Quantities shown are for one assembly. The quantities of the subpart *BEARING CAP* are indicated as two and two. This means two per *CASE* assembly.
10. Serial number breaks identify the most current parts information and are shown as follows:
⇒ **S/N D001H-2628**
Indicates last serial number affected.
S/N D001H-2629 ⇒
Indicates the first serial number affected.
S/N D001H-1553 ⇔ **S/N D001H-3291**
Indicates a range of serial numbers affected.

ECN numbers for pending serial numbers are shown to allow for the inclusion of the most current parts information and are identified as follows:

- ⇒ **S/N Pending Per ECN 63243**
Indicates a pending serial number for last unit affected.
S/N Pending Per ECN 63243 ⇒
Indicates a pending serial number for first unit affected.

Date breaks are used to indicate when a change occurred but a subsequent serial number break was not recorded. This is an arbitrary date usually based on the ECN release and are identified as follows:

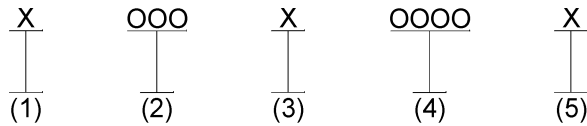
- ⇒ **D/B 3/00**
Indicates that a change occurred sometime within that month for the item affected.
D/B 3/00 ⇒
Indicates that a change occurred sometime within that month for the item affected.
D/B 3/00 ⇔ **D/B 4/00**
Indicates a range of production dates of the item affected.

Contact your local dealer for Hyster lift trucks for serial number information for items with a ECN or a date break.

ORDERING PARTS:

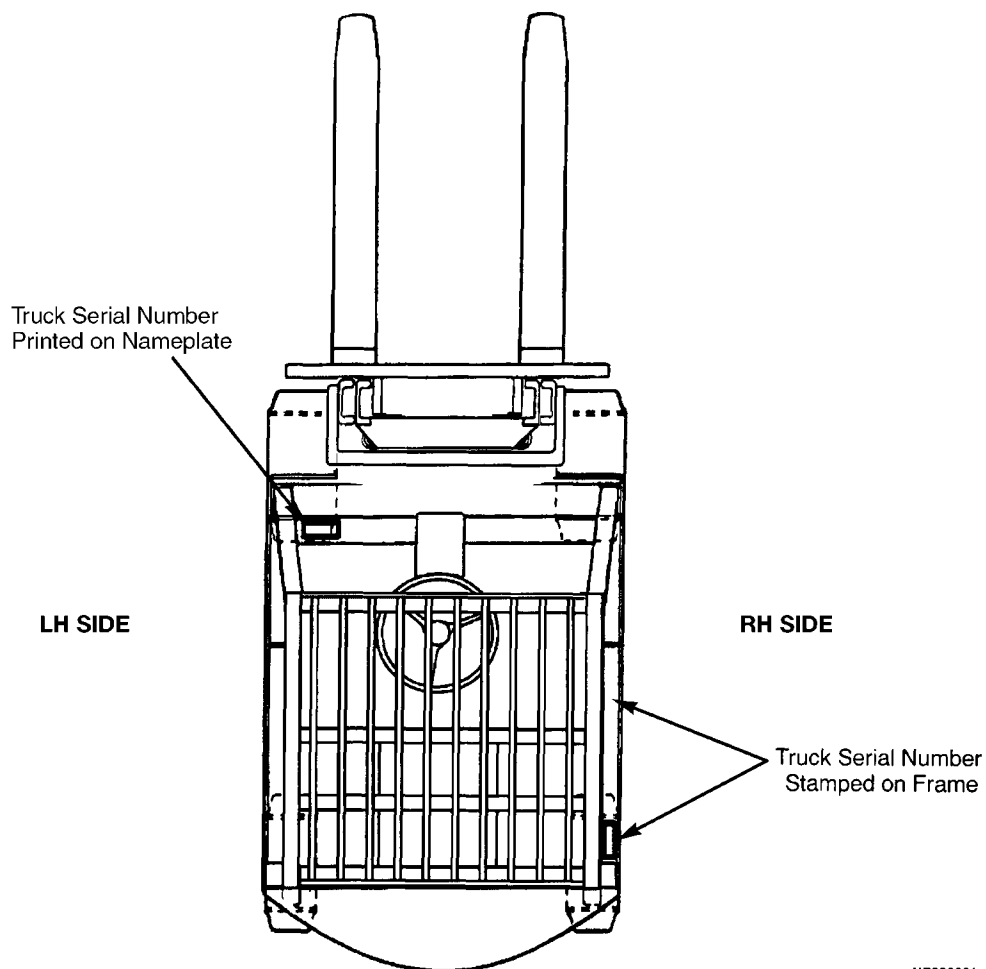
When ordering replacement parts, give the unit serial number, part number, name of part and quantity required.

For any further information on parts, service, or ordering, consult your local dealer for Hyster lift trucks.

IDENTIFICATION OF TRUCK SERIAL NUMBERS

- (1) and (2) The first letter and three numbers indicate the truck unit code.
- (3) The second letter indicates the plant of manufacture.
- (4) The four or five digit number indicates the production sequence number of the truck.
- (5) The final letter indicates the year of manufacture starting with "A" in 1957 and 1980. The letters "I", "O", and "Q" will not be used.

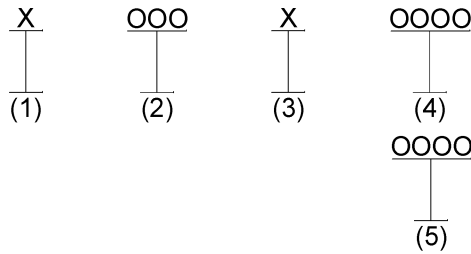
For pending serial numbers contact your local dealer for Hyster lift trucks.



HP990001

Parts referred to in this book as right or left hand parts are in accordance with the illustration above.

IDENTIFICATION OF MAST SERIAL NUMBERS



- (1) and (2) The first letter and number indicates the mast unit code.
- (3) The second letter indicates the plant of manufacture.
- (4) The four or five digit number indicates the production sequence number of the mast.
- (5) Carriage travel in millimeters stamped just below the serial number.

Mast Group identification consists of mast unit code (1) and (2) plus carriage travel (5).

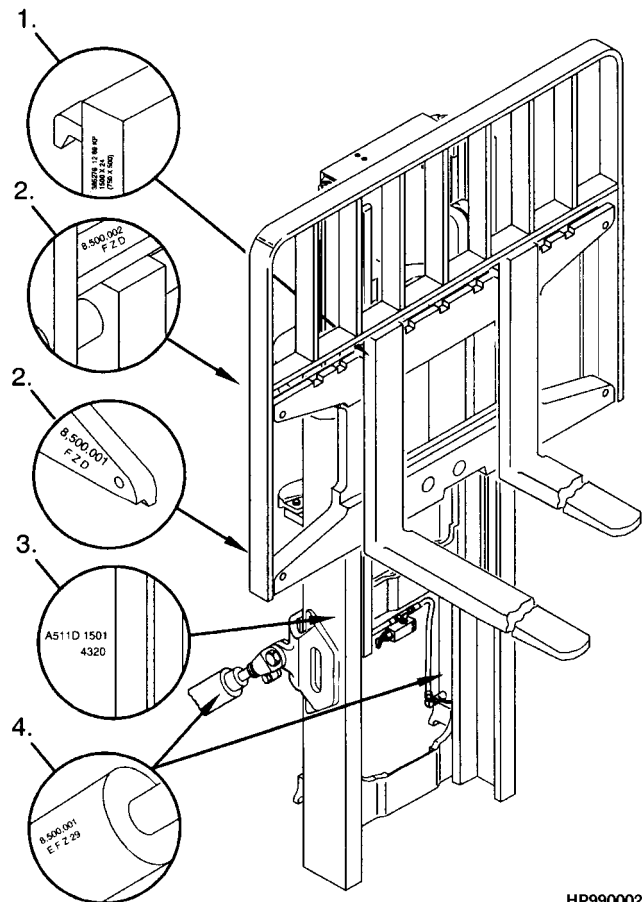
For pending production sequence numbers contact your local dealer for Hyster lift trucks.

LIFT EQUIPMENT IDENTIFICATION

1. Fork part number, capacity rating, plant code letter, and date of manufacture are stamped approximately six inches below the top of most forks.
2. The carriage group number is stamped on the right hand side of the top crossmember (pin type) or on the back of the right hand end of the bottom crossmember (hook type). A date code has two letters in line with or below the carriage group number.
3. The mast identification number has a unit code, a letter indicating the plant of manufacture, and a serial number. Underneath the production sequence number is a four digit number that indicates the carriage travel in millimeters.
4. Tilt and lift cylinder group numbers are stamped on the cylinder shell.

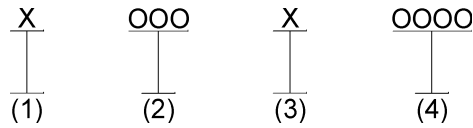
Always refer to the group, serial, or part number when ordering service parts.

Modification of masts and carriages by SPED (Special Products Engineering Department) are identified by a model prefix code beginning with the letter "S". contact your dealer for Hyster lift trucks for information on these assemblies.



HP990002

IDENTIFICATION OF ATTACHMENT AND SIDE-SHIFT CARRIAGE SERIAL NUMBERS

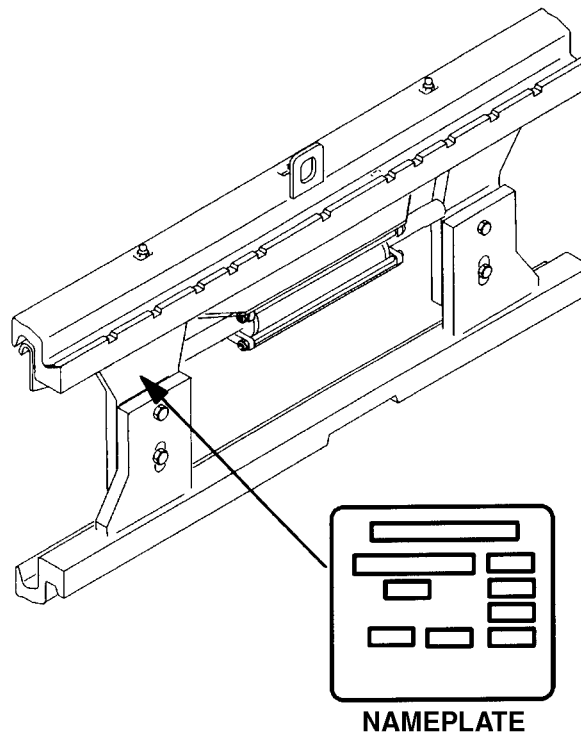


(1) and (2) The first letter and three numbers indicate the attachment unit code.

(3) The second letter indicates the plant of manufacture.

(4) The four or five digit number indicates the production sequence number.

For pending production sequence numbers contact your local dealer for Hyster lift trucks.



HP990003

Side-shift carriages and attachments have nameplates. Use the serial number found on the nameplate to identify the attachment.

Always refer to the group, serial, or part number when ordering service parts.

Modifications of attachments and side-shift carriages by SPED (Special Products Engineering Department) are identified by a model prefix code beginning with the letter "S". Contact your dealer for Hyster lift trucks for information on these assemblies.

PUBLICATIONS

Every new lift truck is provided with an OPERATING MANUAL. This manual has information that the operator must know for inspection and operation of the lift truck.

SERVICE MAINTENANCE MANUALS, which provide service and overhaul procedures, and PARTS MANUALS with complete replacement part identification, are available at a nominal fee from your Hyster dealer to assist users in effectively maintaining Hyster lift trucks in a safe, useful condition. See the list below for information on ordering specific publications for this model lift truck.

PUBLICATION	HYSTER PART NUMBER
Operating Manual	1500809
Service Manual (Complete)	1506708
Parts Manual	1500812

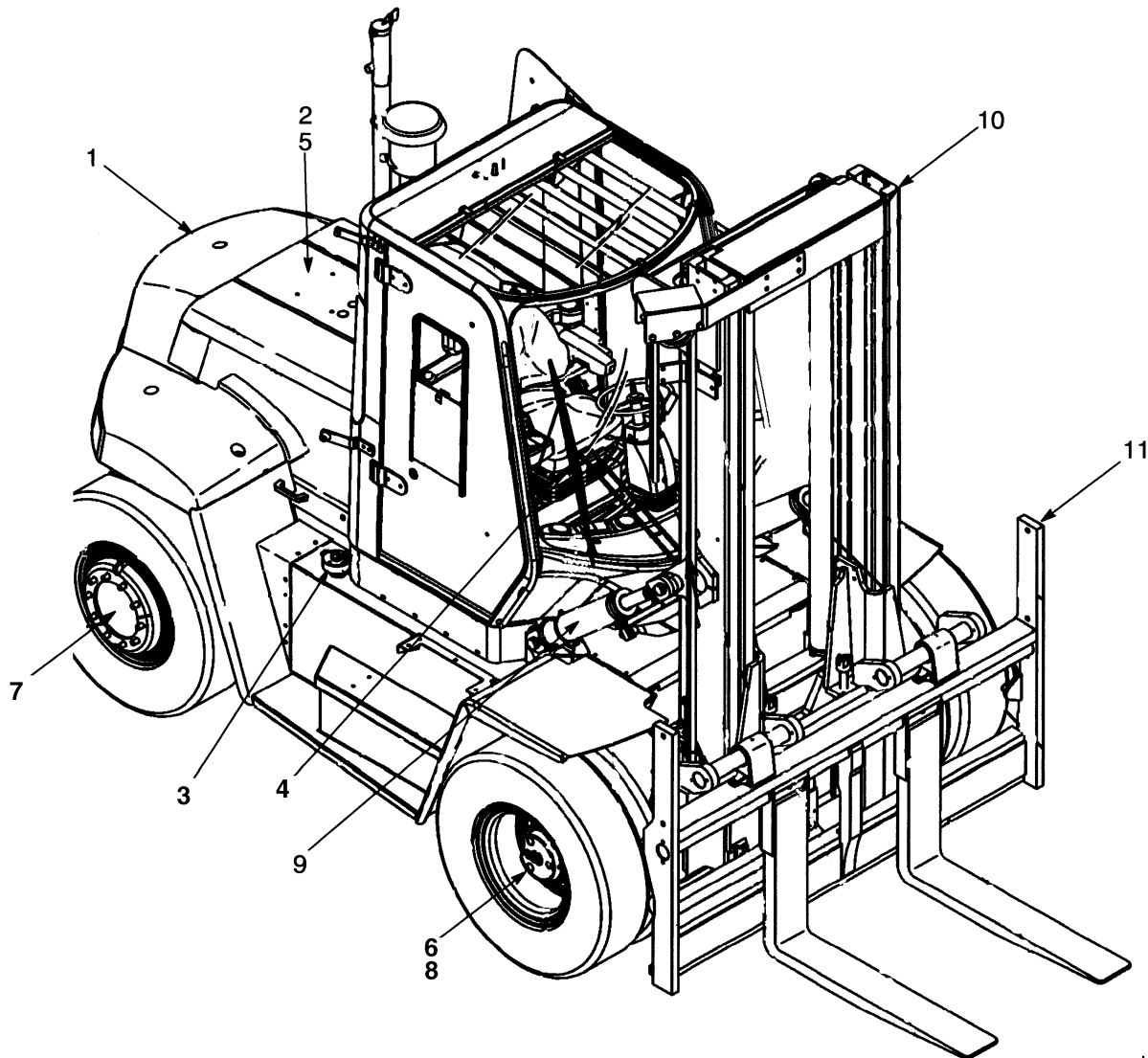
1

FRAME

SECTION 1
FRAME

DESCRIPTION	PAGE
AIR CONDITIONER	
PERKINS	1-34
AIR CONDITIONING	
CUMMINS.....	1-36
AIR DUCT	
CAB.....	1-56
ARMREST	
PIVOT-UP	1-66
CAB AND ATTACHING PARTS	1-12
CAB AND TILT CYLINDER MOUNTING.....	1-24
CAB HARDWARE AND CONTROL COVER.....	1-52
CONDENSOR	1-44
COUNTERWEIGHT	1-6
DASH DISPLAY	1-58
DOOR	
GLASS.....	1-16
STEEL.....	1-20
ELECTRIC PUMP	1-32
FLOOR PLATES AND COVERS	
S/N PENDING PER ECN 68165⇒	1-10
⇒S/N PENDING PER ECN 68165	1-8
GENERAL TRUCK	1-2
HAND PUMP	
CAB TILT.....	1-30
HEATER AND AIR CONDITIONER.....	1-42
HEATER ARRANGEMENT	
CUMMINS.....	1-40
PERKINS	1-38
HOOD.....	1-4
HYDRAULIC CONTROL AND TWISTLOCK	
EMPTY CONTAINER HANDLER.....	1-62
INCHING PEDAL AND ACCESSORIES	
CAB.....	1-54
INDICATOR DISPLAY ASSEMBLY.....	1-60
LABELS.....	1-68
SEAT ASSEMBLY	
AIR.....	1-46
MECHANICAL	1-48
TILT CYLINDER	
CAB.....	1-28
TRAINING SEAT	1-50
WINDOW WASHER AND ARMREST ASSEMBLY	1-64

GENERAL TRUCK (Figure 1-1)



HP990022

ITEM	PART NO.	DESCRIPTION	QTY
1	Frame (☞ Figure 1-3)	1
2	Engine (☞ Figure 2-16)	1
3	Fuel System (☞ Figure 3-1)	1
4	Electrical System (☞ Figure 4-1)	1
5	Transmission (☞ Figure 5-5)	1
6	Drive Axle (☞ Figure 6-1)	1
7	Steering System (☞ Figure 7-1)	1
8	Brake System (☞ Figure 8-1)	1
9	Hydraulic System (☞ Figure 9-1)	1
10	Mast-Two Stage Limited Free-Lift (☞ Figure 10-1)	1
11	Optional	1
12	Numerical Index.....	1

Please Click Here To Download The Complete Manual
Download Other Manuals
If Having Any Questions Feel Free To Contact us

admin@servicemanualbit.com