

# **PARTS MANUAL**

---

**H25XM, H30XM, H35XM,  
H40XM, H40XMS  
(E001)**

CUSTOMER EDITION

---

***HYSTER***



**SECTIONS**

<b>1</b>	<b>FRAME</b>
<b>2</b>	<b>ENGINE ASSEMBLY</b>
<b>3</b>	<b>FUEL SYSTEM</b>
<b>4</b>	<b>ELECTRICAL SYSTEM</b>
<b>5</b>	<b>TRANSMISSION</b>
<b>6</b>	<b>STEERING SYSTEM</b>
<b>7</b>	<b>BRAKE SYSTEM</b>
<b>8</b>	<b>HYDRAULIC SYSTEM</b>
<b>9</b>	<b>MAST-TWO STAGE LIMITED FREE-LIFT</b>
<b>10</b>	<b>MAST-TWO STAGE FULL FREE-LIFT</b>
<b>11</b>	<b>MAST-THREE STAGE FULL FREE-LIFT</b>
<b>12</b>	<b>OPTIONS</b>
<b>13</b>	<b>NUMERICAL INDEX</b>

This Parts Manual is divided into 13 major sections which are listed above. Quick reference to these sections can be made by placing the right thumb on the tab of the desired section, bending the book back and thumbing the pages to the corresponding tab.



**TABLE OF CONTENTS**

DESCRIPTION	PAGE
<b>A</b>	
AIR INTAKE AND FILTER	
DIESEL .....	3-18
GASOLINE.....	3-14
LPG.....	3-16
ALTERNATOR	
GASOLINE, LPG, AND DIESEL	
STANDARD .....	4-50
TYPES GS, LPS, AND DS.....	4-52
AUXILIARY FUNCTION TUBE	
TWO AND THREE STAGE FULL FREE-LIFT .....	12-16
TWO STAGE LIMITED FREE-LIFT.....	12-14
<b>B</b>	
BACK-UP ALARM .....	12-28
BATTERY.....	4-22
BRAKE ASSEMBLY .....	7-6
BRAKE LINES.....	7-4
BRAKE LINKAGE.....	7-2
<b>C</b>	
CAMSHAFT AND VALVES	
DIESEL .....	2-36
GASOLINE AND LPG.....	2-10
CARBURETOR	
GASOLINE.....	3-10
LPG CLOSED LOOP .....	3-28
LPG OPEN LOOP.....	3-24
CARRIAGE	
THREE STAGE FULL FREE-LIFT .....	11-18
TWO STAGE FULL FREE-LIFT .....	10-16
TWO STAGE LIMITED FREE-LIFT.....	9-12
CLUTCH	
HYDRAULIC .....	5-12
CONTROL UNIT	
ENGINE	
LOW EMISSIONS LPG .....	4-18
COOLING SYSTEM	
DIESEL .....	2-44
GASOLINE AND LPG.....	2-22
COUNTERWEIGHT .....	1-18
CRANKSHAFT AND PISTON	
DIESEL .....	2-34
GASOLINE AND LPG.....	2-8
CYLINDER BLOCK	
DIESEL .....	2-30
GASOLINE AND LPG.....	2-4
CYLINDER HEAD	
DIESEL .....	2-28
CYLINDER HEAD AND COVER	
GASOLINE AND LPG.....	2-2

## TABLE OF CONTENTS (Continued)

DESCRIPTION	PAGE
<b>D</b>	
DIFFERENTIAL.....	5-16
DISTRIBUTOR	
GASOLINE AND LPG.....	4-44
DRIVE AXLE .....	5-18
<b>E</b>	
ELECTRICAL	
COWL .....	4-14
ELECTRICAL SYSTEM	
CHASSIS, DIESEL .....	4-10
CHASSIS, GASOLINE.....	4-2
CHASSIS, LPG.....	4-6
ENGINE	
DIESEL.....	2-40
GASOLINE AND LPG .....	2-14
END PLATE .....	5-20
ENGINE COVER.....	1-6
ENGINE MOUNTS	
DIESEL .....	2-48
GASOLINE AND LPG.....	2-26
EXHAUST	
LOW EMISSIONS	
LPG AND LPS.....	2-62
OVERHEAD	
DIESEL.....	2-60
GASOLINE AND LPG .....	2-58
STANDARD DIESEL.....	2-52
STANDARD GASOLINE AND LPG.....	2-50
TYPE DS.....	2-56
TYPE GS AND LPS.....	2-54
<b>F</b>	
FORKS	
PALLET 1.50 IN. X 4.00 IN.	
THREE STAGE FULL FREE-LIFT .....	11-29
TWO STAGE FULL FREE-LIFT .....	10-29
TWO STAGE LIMITED FREE-LIFT .....	9-22
POLISHED AND TAPERED 1.50 IN. X 4.00 IN.	
THREE STAGE FULL FREE-LIFT .....	11-30
TWO STAGE FULL FREE-LIFT .....	10-30
TWO STAGE LIMITED FREE-LIFT .....	9-23
FRAME AND FLOORPLATES.....	1-2
FREE LIFT	
THREE STAGE FULL FREE-LIFT .....	11-10
TWO STAGE FULL FREE-LIFT .....	10-8
TWO STAGE LIMITED FREE-LIFT.....	9-6
FREE-LIFT CYLINDER	
THREE STAGE FULL FREE-LIFT .....	11-16
TWO STAGE FULL FREE-LIFT .....	10-14
FUEL FILTER	
DIESEL .....	3-36

**TABLE OF CONTENTS (Continued)**

DESCRIPTION	PAGE
<b>F (continued)</b>	
FUEL INJECTION PUMP	
DIESEL .....	3-38
FUEL SYSTEM	
DIESEL .....	3-32
ENGINE	
GASOLINE .....	2-18
LPG .....	2-16
LPG .....	3-20
FUEL TANK	
DIESEL .....	3-44
GASOLINE .....	3-40
LPG .....	3-42
<b>G</b>	
GEAR PUMP .....	5-4
GOVERNOR	
GASOLINE AND LPG .....	3-12
<b>H</b>	
HEADER HOSE	
FOUR FUNCTION	
THREE STAGE FULL FREE-LIFT .....	11-26
TWO STAGE FULL FREE-LIFT .....	10-26
TWO STAGE LIMITED FREE-LIFT .....	9-20
THREE FUNCTION	
THREE STAGE FULL FREE-LIFT .....	11-24
TWO STAGE FULL FREE-LIFT .....	10-22
TWO STAGE LIMITED FREE-LIFT .....	9-18
HYDRAULIC GEAR PUMP	
GASOLINE, LPG, AND DIESEL .....	8-6
HYDRAULIC GEAR PUMP DRIVE	
GASOLINE AND LPG .....	8-8
HYDRAULICS .....	8-2
<b>I</b>	
INNER MAST	
THREE STAGE FULL FREE-LIFT .....	11-6
TWO STAGE FULL FREE-LIFT .....	10-4
TWO STAGE LIMITED FREE-LIFT .....	9-4
INSTRUMENT CLUSTER .....	4-24
INTEGRAL SIDE-SHIFT CARRIAGE	
TWO AND THREE STAGE FULL FREE-LIFT .....	12-8
TWO STAGE LIMITED FREE-LIFT .....	12-6
INTEGRAL SIDE-SHIFT CYLINDER .....	12-10
INTEGRAL SIDE-SHIFT HYDRAULIC HOSES	
TWO AND THREE STAGE FULL FREE-LIFT .....	12-12
TWO STAGE LIMITED FREE-LIFT	
TWO STAGE LIMITED FREE-LIFT .....	12-11
INTERMEDIATE MAST	

**TABLE OF CONTENTS (Continued)**

DESCRIPTION	PAGE
I (continued)	
THREE STAGE FULL FREE-LIFT .....	11-4
L	
LABELS .....	1-15
LEVER	
FORWARD AND REVERSE .....	4-26
LIFT CYLINDER	
LEFT HAND	
TWO STAGE LIMITED FREE-LIFT .....	9-8
RIGHT HAND	
TWO STAGE LIMITED FREE-LIFT .....	9-10
LIFTING EYE.....	12-25
LIGHTS	
DRIVE LIGHTS AND REAR .....	12-26
LOAD BACKREST EXTENSION	
THREE STAGE FULL FREE-LIFT .....	11-20
TWO STAGE FULL FREE-LIFT .....	10-18
TWO STAGE LIMITED FREE-LIFT.....	9-14
M	
MAIN LIFT	
THREE STAGE FULL FREE-LIFT .....	11-8
TWO STAGE FULL FREE-LIFT .....	10-6
MAIN LIFT CYLINDER	
LEFT HAND	
THREE STAGE FULL FREE-LIFT .....	11-12
TWO STAGE FULL FREE-LIFT .....	10-10
RIGHT HAND	
THREE STAGE FULL FREE-LIFT .....	11-14
TWO STAGE FULL FREE-LIFT .....	10-12
MANIFOLD	
INTAKE AND EXHAUST	
DIESEL.....	2-38
GASOLINE AND LPG .....	2-12
MAST INSTALLATION	
THREE STAGE FULL FREE-LIFT .....	11-22
TWO STAGE FULL FREE-LIFT .....	10-20
TWO STAGE LIMITED FREE-LIFT.....	9-16
MASTER CYLINDER .....	7-10
MONOTROL PEDAL .....	3-4
N	
NOZZLE HOLDER	
DIESEL .....	3-34



**TABLE OF CONTENTS (Continued)**

DESCRIPTION	PAGE
<b>O</b>	
OIL PAN AND TIMING GEAR COVER	
DIESEL .....	2-32
GASOLINE AND LPG .....	2-6
OIL PUMP AND FILTER	
DIESEL .....	2-42
GASOLINE AND LPG .....	2-20
OUTER MAST	
THREE STAGE FULL FREE-LIFT .....	11-2
TWO STAGE FULL FREE-LIFT .....	10-2
TWO STAGE LIMITED FREE-LIFT .....	9-2
OVERHEAD GUARD .....	1-5
<b>P</b>	
PARK BRAKE LEVER .....	7-8
<b>R</b>	
RADIATOR AND HOSES	
DIESEL .....	2-46
GASOLINE AND LPG .....	2-24
REGULATOR	
LPG CLOSED LOOP .....	3-30
LPG OPEN LOOP .....	3-26
<b>S</b>	
SEAT	
FULL-SUSPENSION	
SHEET 1 OF 2 .....	1-8
SHEET 2 OF 2 .....	1-10
NON-SUSPENSION .....	1-12
SIDE-SHIFT CARRIAGE .....	12-2
SIDE-SHIFT CYLINDER .....	12-4
SOLENOID VALVE .....	5-5
STARTER	
DIESEL AND DS .....	4-48
GASOLINE AND LPG .....	4-46
STEERING AXLE .....	6-6
STEERING COLUMN .....	6-2
STEERING CYLINDER .....	6-8
STEERING PUMP .....	6-4
<b>T</b>	
TAIL LIGHTS .....	4-20
THROTTLE ASSEMBLY .....	3-2
THROTTLE LINKAGE	
DIESEL .....	3-9
GASOLINE .....	3-6
LPG .....	3-8
TILT CYLINDER	
10° FORWARD TILT/6° BACKWARD TILT .....	8-28
6° FORWARD TILT/10° BACKWARD TILT .....	8-26

**TABLE OF CONTENTS (Continued)**

<b>DESCRIPTION</b>	<b>PAGE</b>
<b>T (continued)</b>	
6° FORWARD TILT/6° BACKWARD TILT .....	8-24
TORQUE CONVERTOR.....	5-2
TRANSMISSION GEARS.....	5-8
TRANSMISSION HOUSING .....	5-6
TRANSMISSION HYDRAULIC LINES .....	5-10
<b>V</b>	
VALVE	
CONTROL .....	5-14
SINGLE RELIEF FOUR FUNCTION.....	8-20
SINGLE RELIEF THREE FUNCTION.....	8-14
VALVE ATTACHING PARTS	
FOUR FUNCTION .....	8-18
THREE FUNCTION .....	8-10
<b>W</b>	
WHEEL AND TIRE	
DRIVE	
SPLIT RIM.....	12-20
STANDARD RIM.....	12-18
STEER	
STANDARD RIM.....	12-22
STANDARD TREAD 35 IN. ....	12-24
WIRE HARNESS	
CLUSTER PANEL.....	4-28
CLUSTER POWER.....	4-29
COWL .....	4-27
ENGINE	
DIESEL.....	4-41
GASOLINE AND LPG .....	4-33
LOW EMISSIONS LPG .....	4-36
TYPE DS.....	4-42
TYPE GS AND LPS .....	4-34
TYPE LPS WITH LOW EMISSIONS .....	4-38
FORWARD AND REVERSE .....	4-30
LPG.....	4-40
MONOTROL .....	4-31
SEAT SWITCH.....	4-32
TAILLIGHT .....	4-43

**ABBREVIATIONS QUICK REFERENCE SHEET**

Listed below are abbreviations used in parts manuals to denote the following expressions:

<b>TERM</b>	<b>DEFINITION</b>	<b>TERM</b>	<b>DEFINITION</b>
Amp	Amperes	FRE	Freezer Environment
AR	As Required	in.	inches
BDI	Battery Discharge Indicators	LPG	Liquefied Petroleum Gas
BWI	Brush Wear Indicator	MAP	Manifold Absolute Pressure
CE	Communicator End	mm	millimeters
CRE	Corrosive Environment	MSTS	Microprocessor Spark Timing System
D/B	Date Break	NPT	National Pipe Threads
dbA	Decibel "A" Scale	O/S	Oversize
DE	Drive End	PTO	Power Take Off
ECH	Empty Container Handler	RPM	Revolutions per Minute
ECH-3	Empty Container Handler - 3 High Stacking	S/N	Serial Number
ECH-4	Empty Container Handler - 4 High Stacking	TMM	Truck Management Module
ECH-5	Empty Container Handler - 5 High Stacking	UL Type D	Diesel-Powered Safety Rating
ECH-6	Empty Container Handler - 6 High Stacking	UL Type DS	Diesel-Powered Safety Rating
ECH-7	Empty Container Handler - 7 High Stacking	UL Type E	Battery-Powered Safety Rating
ECM	Electronic Control Module	UL Type EE	Battery-Powered Safety Rating
ECN	Engineering Change Notice	UL Type ES	Battery-Powered Safety Rating
EEPROM	Electrically Erasable Programmable Read Only Memory	UL Type G	Gasoline-Powered Safety Rating
EPROM	Electrically Programmable Read Only Memory	UL Type GS	Gasoline-Powered Safety Rating
		UL Type LP	Gas-Powered Safety Rating
		UL Type LPS	LP Gas-Powered Safety Rating
		U/S	Undersize
		UL	Underwriters Laboratory
		V	Volts

## HOW TO USE THE ILLUSTRATED PARTS MANUAL

This parts manual describes and illustrates assemblies, subassemblies, and detail parts needed for service replacement.

The different constructions are indicated by keys and footnotes. The callouts correspond to descriptions found on the the next page.

**HYSTER** UNIT CODE D001 NORTH AMERICA 06/2001

**TABLE OF CONTENTS**

DESCRIPTION	PAGE
AIR INTAKE AND FILTER DIESEL (⇒ D/B 11/96).....	3-22
AIR INTAKE AND FILTER DIESEL (D/B 11/96 ⇒).....	
AIR INTAKE AND FILTER GASOLINE AND LPG.....	
ALTERNATOR GASOLINE, LPG, AND DIESEL -	
ALTERNATOR TYPES GS, LPS, AND DS.....	
AUXILIARY FUNCTION TUBE TWO AND THREE STAGE FULL F.....	

**SECTION 13 NUMERICAL INDEX**

PART NO.	ITEM PAGE NO.	PART NO.	ITEM PAGE NO.	PART NO.	ITEM PAGE NO.	PART NO.	ITEM PAGE NO.
142	3-4 19	10-13	25	11-27	29	16719	12-31 12
12445	3-32 19	10-17	6	11-31	25	16751	3-36 5
	3-34 1	10-27	11	11-32	37	16849	3-16 27
		11-11	6	8-4	26		3-34 21
		11-11	6	16485	45		3-36 20
		12-21	11	9-7	9	16863	3-26 17
		4	13	9-7	9	16865	3-6 18
		12	6	9-7	19	16882	9-7 30
		3	17	10-9	21		9-11 27
		23	46	9-11	17		10-10 36
		27	46	10-9	28		10-13 32
		26	14	10-13	16		11-7 24
		28	14	11-7	19		11-9 17
		30	14				

**SECTIONS**

- 1
- 2
- 3
- 4
- 5 BRAKE/ACC
- 6
- 7 MAST-TWO STAGE
- 8 MAST-THREE STAGE
- 9 MAST-TWO STAGE
- 10
- 11

**TRANSMISSION HOUSING**  
⇒ S/N D001H-2628

KEY:  
A: Diesel  
B: Gasoline and LPG

ITEM	PART NO.	DESCRIPTION	QTY
			A B
		Transmission.....	1 1
	2022547	Transmission.....	1 1
	2023329	Transmission.....	2 2
	2021670	Case.....	4 4
1	2023418	Bearing Cap.....	4 4
2	296426	Washer.....	1 1
3	293582	Bolt.....	2 2
4	2021390	Cover.....	4 4
5	1371656	Colter Pin.....	1 1
6	2021329	O-Ring.....	4 4
7	2021915	Plug.....	4 4
8	2021675	Housing.....	22 22
9	2021336	Pin.....	39 39
10	287860	Bolt.....	1 1
11	292682	Lockwasher.....	1 1
12	292682	Hydraulic Pump.....	8 8
13		⇒ Figure 5-3	8 8
14	2021345	Gasket.....	1 1
15	214364	Bolt.....	8 8
16	296418	Washer.....	1 1
17	2021388	Temperature Switch.....	1 1
18	2021389	Breather.....	9 9
19	2021383	Dipstick.....	9 9
20	292515	Bolt.....	2 2
21	136692	Nut.....	3 3
22	292527	Bolt.....	3 2
23	292531	Lockwasher.....	4 4
24	292683	Lockwasher.....	4 4
25	293637	Bolt.....	1 1
26	296420	Washer.....	1 1
	996403	Transmission Kit (Includes Item 7).....	1 1
	996405	Transmission Kit (Includes Item 14).....	1 1

This Parts Manual is divided into 11 major sections which are listed above. Quick access can be made by placing the right thumb on the tab of the desired section, bending the pages to the corresponding tab.

©Coory Right Date HYSTER COMPANY See Service Manual for service procedures. 5-15

## HOW TO FIND THE DESIRED PART NUMBER

### WHEN THE PART NUMBER AND THE NEXT HIGHER ASSEMBLY IS NOT KNOWN:

1. Determine the function and application of the part required. Turn to the Sections Page. Choose the general area of reference most likely to include the part.
2. Turn to the section you chose. Use the Section Table of Contents to determine the assembly which would normally contain the part required. Then locate the part on the assembly breakdown page.

### WHEN THE PART NUMBER IS NOT KNOWN AND THE NEXT HIGHER ASSEMBLY IS KNOWN:

3. Determine the assembly the required part is used on. Turn to the Table of Contents on Page i.
4. Locate the assembly the required part is used on and turn to the page indicated for that assembly. Then locate the part on the assembly breakdown page.

### WHEN THE PART NUMBER IS KNOWN:

5. Use the Numerical Index on Page 13-1 to find the part number. Turn to the page listed and locate the part as indicated by the item number.

### GENERAL:

The assembly breakdowns include part numbers, descriptions, quantities required, keys and footnotes to help in selecting correct parts.

6. Five periods in the PART NO. column (. . . . .) indicate that the part is either *Not Serviced Separately* or there is a reference to another figure. A figure reference is denoted by a pointing hand followed by a figure number in the DESCRIPTION column (☞Figure 10)
7. Keys are used to show two or more similar assemblies, RH and LH assembly parts, etc. Select the appropriate key, "A", "B", "C", "D", or "E" and the corresponding quantity column to find the required parts. Two periods in the QTY column (..) indicate that the part is not used for that assembly.
8. Indented descriptions under the DESCRIPTION column are used to indicate assemblies and subparts of assemblies. In the example on the

previous page, *BEARING CAP* (Item 2) is a subpart of the major assembly *CASE*.

9. Quantities shown are for one assembly. The quantities of the subpart *BEARING CAP* are indicated as two and two. This means two per *CASE* assembly.
10. Serial number breaks identify the most current parts information and are shown as follows:
  - ⇒ **S/N D001H-2628**  
Indicates last serial number affected.
  - S/N D001H-2629** ⇒  
Indicates the first serial number affected.
  - S/N D001H-1553** ⇔ **S/N D001H-3291**  
Indicates a range of serial numbers affected.

ECN numbers for pending serial numbers are shown to allow for the inclusion of the most current parts information and are identified as follows:

- ⇒ **S/N Pending Per ECN 63243**  
Indicates a pending serial number for last unit affected.
- S/N Pending Per ECN 63243** ⇒  
Indicates a pending serial number for first unit affected.

Date breaks are used to indicate when a change occurred but a subsequent serial number break was not recorded. This is an arbitrary date usually based on the ECN release and are identified as follows:

- ⇒ **D/B 3/00**  
Indicates that a change occurred sometime within that month for the item affected.
- D/B 3/00** ⇒  
Indicates that a change occurred sometime within that month for the item affected.
- D/B 3/00** ⇔ **D/B 4/00**  
Indicates a range of production dates of the item affected.

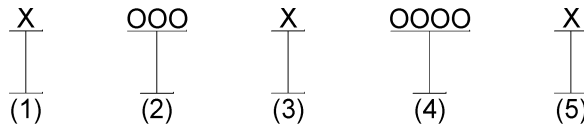
Contact your local dealer for Hyster lift trucks for serial number information for items with a ECN or a date break.

### ORDERING PARTS:

When ordering replacement parts, give the unit serial number, part number, name of part and quantity required.

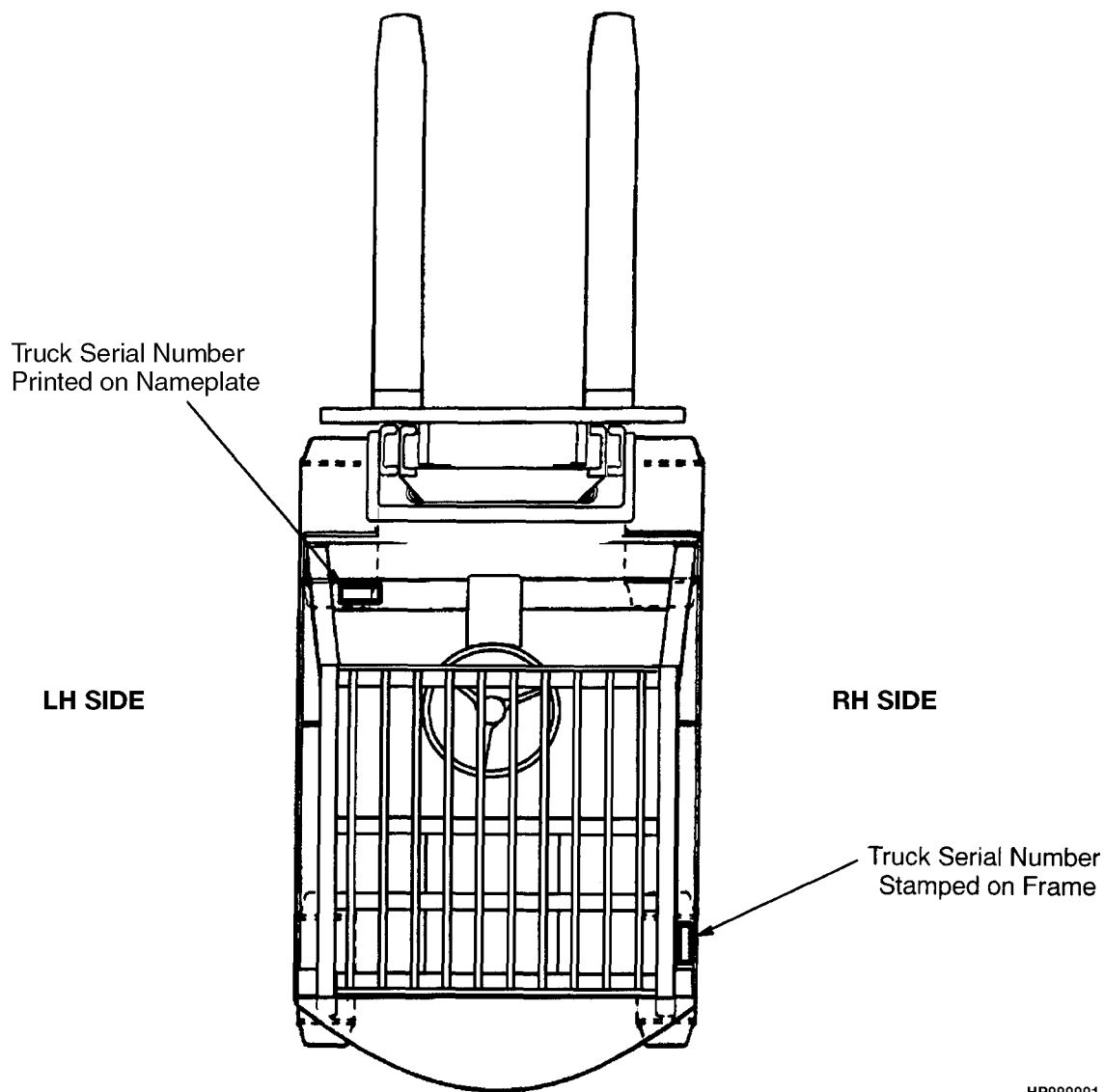
For any further information on parts, service, or ordering, consult your local dealer for Hyster lift trucks.

## IDENTIFICATION OF TRUCK SERIAL NUMBERS



- (1) and (2) The first letter and three numbers indicate the truck unit code.
- (3) The second letter indicates the plant of manufacture.
- (4) The four or five digit number indicates the production sequence number of the truck.
- (5) The final letter indicates the year of manufacture starting with "A" in 1957 and 1980. The letters "I", "O", and "Q" will not be used.

For pending serial numbers contact your local dealer for Hyster lift trucks.



Parts referred to in this book as right or left hand parts are in accordance with the illustration above.

---

## PUBLICATIONS

Every new lift truck is provided with an OPERATING MANUAL. This manual has information that the operator must know for inspection and operation of the lift truck.

SERVICE MAINTENANCE MANUALS, which provide service and overhaul procedures, and PARTS MANUALS with complete replacement part identification, are available at a nominal fee from your Hyster dealer to assist users in effectively maintaining Hyster lift trucks in a safe, useful condition. See the list below for information on ordering specific publications for this model lift truck.

PUBLICATION	HYSTER PART NUMBER
<b>Operating Manual</b> .....	1497769
<b>Service Manual (Complete)</b> .....	1492514
<b>Parts Manual</b> .....	1492521





**1**

**FRAME**

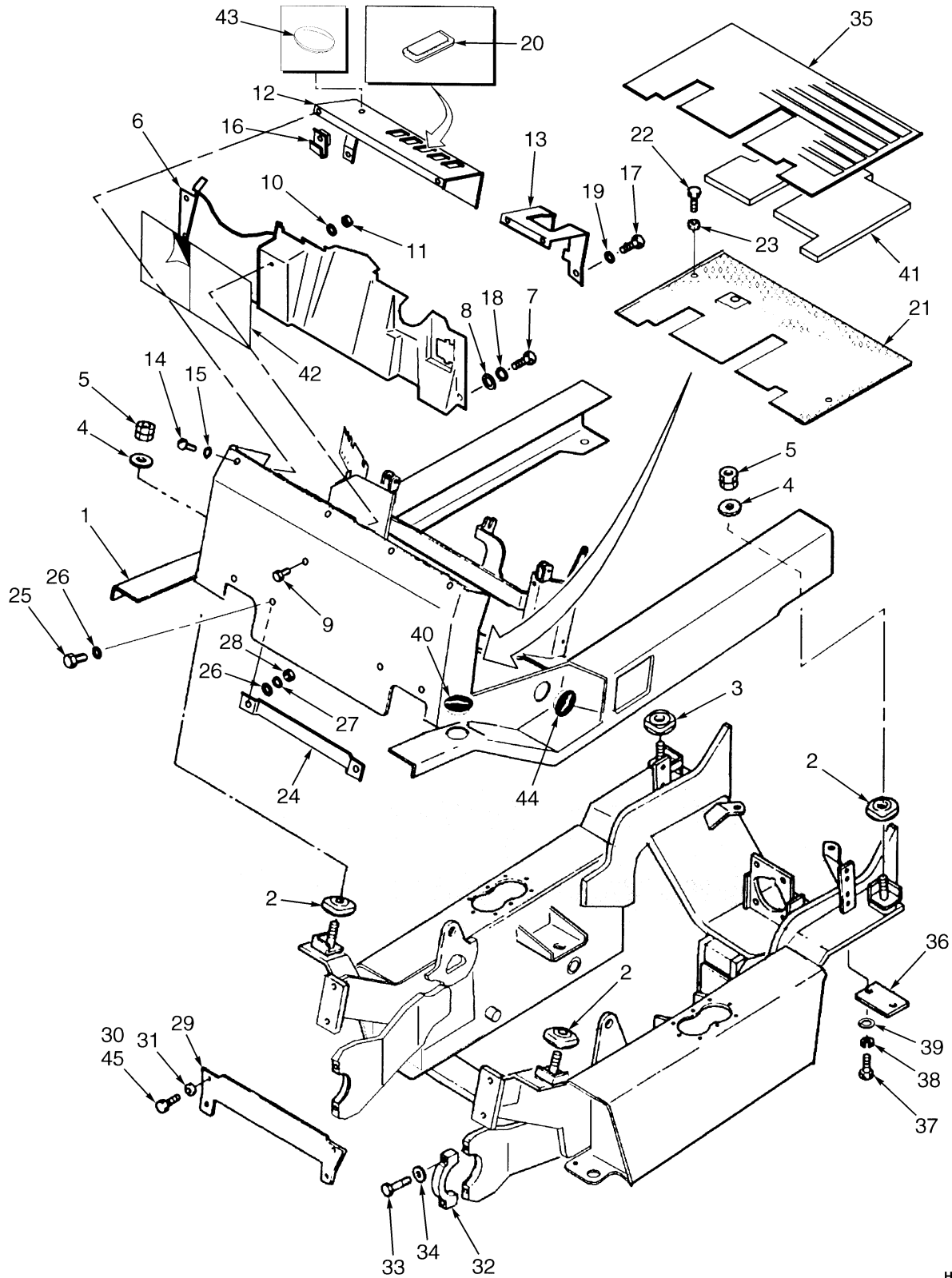


**SECTION 1  
FRAME**

---

<b>DESCRIPTION</b>	<b>PAGE</b>
COUNTERWEIGHT .....	1-18
ENGINE COVER .....	1-6
FRAME AND FLOORPLATES.....	1-2
LABELS.....	1-15
OVERHEAD GUARD.....	1-5
SEAT	
FULL-SUSPENSION	
SHEET 1 OF 2 .....	1-8
SHEET 2 OF 2 .....	1-10
NON-SUSPENSION .....	1-12

## FRAME AND FLOORPLATES (Figure 1-1)



HP120536

**Please Click Here To Download The Complete Manual**  
**Download Other Manuals**  
**If Having Any Questions Feel Free To Contact us**

**[admin@servicemanualbit.com](mailto:admin@servicemanualbit.com)**