

PARTS MANUAL

SPACESAVER

**S40XM, S45XM, S50XM, S55XM,
S60XM, S65XM
(D187)**

CUSTOMER EDITION

HYSTER

SECTIONS

1	FRAME
2	ENGINES
3	FUEL SYSTEM
4	ELECTRICAL SYSTEM
5	TRANSMISSION
6	STEERING SYSTEM
7	BRAKE SYSTEM
8	HYDRAULIC SYSTEM
9	MAST-TWO STAGE LIMITED FREE-LIFT
10	MAST-TWO STAGE FULL FREE-LIFT
11	MAST-THREE STAGE FULL FREE-LIFT
12	MAST-FOUR STAGE FULL FREE-LIFT
13	OPTIONS
14	NUMERICAL INDEX

This Parts Manual is divided into 14 major sections which are listed above. Quick reference to these sections can be made by placing the right thumb on the tab of the desired section, bending the book back and thumbing the pages to the corresponding tab.

TABLE OF CONTENTS

DESCRIPTION	PAGE
A	
ACCUMULATOR	13-54
AIR CLEANER	
GAS/LPG AND DUAL FUEL 2.0L/2.2L	3-64
AIR CLEANER AND CRANKCASE BREATHER	
GAS/LPG AND DUAL FUEL 3.0L	
LOW EMISSIONS	3-66
AIR FILTER	
GASOLINE AND DUAL FUEL 3.0L	
S/N D187V-20517⇒ INC. 20042, 20049, 20207, 20473, 20474-20482, 20484-20485, 20508-20510, 20514 EXC. 20530	3-56
GASOLINE AND LPG 3.0L	
⇒S/N D187V-20517 INC. 20530 EXC. 20042, 20049, 20207, 20472, 20473-20482, 20484-20485, 20508-20510, 20514	3-54
GASOLINE/LPG AND DUAL FUEL	3-62
LPG 2.0L AND 2.2L	
S/N D187V-20517⇒ INC. 20042, 20049, 20207, 20473, 20474-20482, 20484-20485, 20508-20510, 20514 EXC. 20530	3-58
LPG 3.0L	
S/N D187V-20517⇒ INC. 20042, 20049, 20207, 20473, 20474-20482, 20484-20485, 20508-20510, 20514 EXC. 20530	3-60
AIR FILTER AND BREATHER	
GAS AND LPG 3.0L	
EPA COMPLIANT.....	3-68
ALTERNATOR	
GASOLINE AND LPG	
2.0L AND 2.2L.....	4-134
3.0L	
⇒S/N D187V-23918Y.....	4-138
⇒S/N D187V-6779.....	4-136
TYPE GS AND LPS	
⇒S/N D187V-5027.....	4-144
S/N D187V-5028⇒.....	4-146
ALTERNATOR MOUNT	
GASOLINE AND LPG	
3.0L ENGINE.....	4-140
ALTERNATOR MOUNTING	
SERPENTINE BELT	
GM 3.0L.....	4-142
AUDIBLE ALARMS	13-56
AUXILIARY TUBE EXTENSION KIT	
FOUR STAGE FULL FREE-LIFT	13-30
TWO AND THREE STAGE FULL FREE-LIFT	13-26
TWO STAGE LIMITED FREE-LIFT.....	13-24
AUXILIARY TUBES	
FOUR STAGE FULL FREE-LIFT	
FOUR FUNCTION GROUP WITH INTERGRAL SIDESHIFT.....	13-34
TWO AND THREE STAGE FULL FREE-LIFT	
FOUR FUNCTION GROUP WITH INTERGRAL SIDESHIFT.....	13-32

TABLE OF CONTENTS (Continued)

DESCRIPTION	PAGE
B	
BRAKE	7-4
BRAKE LINES	
⇒S/N D187V-20723 INC. 20662, 20682, 20697, 20701, 20708, 20712, 20719	7-6
S/N D187V-20724⇒ EXC. 20662, 20682, 20697, 20701, 20708, 20712, 20719	7-8
BRAKE PEDAL LINKAGE	7-2
C	
CAMSHAFT AND OIL PAN	
GASOLINE AND LPG 3.0L	
1996 THRU 1998 SERIES	2-130
1999 SERIES ENGINE	2-134
2000 AND 2001 SERIES ENGINE	2-136
2002-2004 SERIES ENGINE	2-140
CAMSHAFT AND VALVES	
2.2L	2-38
GASOLINE AND LPG	
2.0L	2-26
CARBURETOR	
GASOLINE	
2.0L AND 2.2L	3-34
LPG 2.0L	
⇒D/B 08/1998	3-36
D/B 08/1998⇒S/N D187V-20516 INC. 20530 EXC. 20042, 20049, 20207, 20473, 20474-20482, 20484-20485, 20508-20510, 20514	3-38
LPG 3.0L	3-100
LPG 3.0L CLOSED LOOP	
S/N D187V-21583Y⇒	3-102
LPG 3.0L OPEN LOOP	
S/N D187V-20517⇒ INC. 20042, 20049, 20207, 20473, 20474-20482, 20484-20485, 20508-20510, 20514 EXC. 20530	3-104
LPG CLOSED LOOP	
2.0L AND 2.2L	
S/N D187V-21583Y⇒	3-42
LPG OPEN LOOP 2.0L AND 2.2L	
S/N D187V-20517⇒ INC. 20042, 20049, 20207, 20473, 20474-20482, 20484, 20508-20510, 20514 EXC. 20530	3-40
CARRIAGE	
FOUR STAGE FULL FREE-LIFT	
MAST GROUP NO. C515-6058, LIFT HEIGHT TO BOTTOM OF FORK 238.5 IN.	12-20
THREE STAGE FULL FREE-LIFT	
SIX ROLLER	11-30
TWO STAGE FULL FREE-LIFT	
SIX ROLLER	10-22
TWO STAGE LIMITED FREE-LIFT	
SIX ROLLER	9-18
CONTROL VALVE	
FOUR FUNCTION	8-32
T066	
⇒S/N T066M-06990	5-26
T066 AND T082	
S/N T066M⇔S/N T082M-07725	5-30

TABLE OF CONTENTS (Continued)

DESCRIPTION	PAGE
C (continued)	
T082 AND T111	
S/N T082M-07726⇒	5-34
THREE FUNCTION	8-24
COOLING	
GASOLINE	
2.2L	2-54
GASOLINE AND LPG	
2.0L	2-50
GASOLINE AND LPG 3.0L	
1996 THRU 1998 SERIES	2-120
1999 THRU 2003 SERIES	2-124
2003 THRU 2004 SERIES WITH SERPENTINE BELT	2-128
LPG 2.2L	2-56
COUNTERWEIGHT	1-8
CRANKSHAFT AND PISTON	
GASOLINE AND LPG	
2.0L	2-24
GASOLINE AND LPG 3.0L	
1996 THRU 1998 SERIES ENGINE	2-94
1999 SERIES ENGINE	2-98
2000 AND 2001 SERIES ENGINE	2-100
CRANKSHAFT AND PISTONS	
2.2L	2-36
GASOLINE AND LPG 3.0L	
2002-2004 SERIES ENGINE	2-102
CYLINDER	
TWO STAGE LIMITED FREE-LIFT	
S40-55XM	9-10
S60-65XM	
D/B 07/2001⇒	9-15
⇒D/B 07/2001	9-12
CYLINDER BLOCK	
2.2L	2-32
GASOLINE AND LPG	
2.0L	2-20
CYLINDER HEAD	
2.2L	2-34
GASOLINE AND LPG	
2.0L	2-22
GASOLINE AND LPG 3.0L	
1996 THRU 1998 SERIES ENGINE	2-104
1999 SERIES ENGINE	2-108
2000 THRU 2004 SERIES ENGINE	2-110
D	
DIFFERENTIAL	
T066 AND T082	
⇒S/N T082M-07725	5-38
T082 AND T111	

TABLE OF CONTENTS (Continued)

DESCRIPTION	PAGE
D (continued)	
S/N T082M-07726⇒	5-42
DISTRIBUTOR	
GASOLINE AND LPG	
2.0L	4-128
2.2L	4-130
3.0L	4-132
DRIVE AND REAR LIGHT	13-44
DRIVE AXLE	5-48
E	
ELCTRICAL SYSTEM	
TYPES GS AND LPS, (3.0L)	
EPA COMPLIANT.....	4-86
ELECTRICAL	
GASOLINE AND LPG	
2.0L AND 2.2L.....	2-68
GASOLINE AND LPG 3.0L	
1996 THRU 1998 SERIES ENGINE	2-114
1999 SERIES ENGINE	2-116
2000 THRU 2004 SERIES ENGINE	2-118
ELECTRICAL SYSTEM	
COWL	
⇒S/N D187V-20723 EXC. 20662, 20682, 20701, 20705, 20712, 20714, 20719	4-16
S/N D187V-20724⇒ INC. 20682, 20697, 20701, 20705, 20712, 20714, 20719	4-20
GASOLINE AND LPG	
3.0L	
⇒S/N D187V-12900	4-64
GASOLINE AND LPG 2.0L AND 2.2L	
⇒S/N D187V-20516 INC. 20530 EXC. 20042, 20049, 20207, 20473, 20474-20482, 20484-20485, 20508-20510, 20514	4-4
S/N D187V-20517⇒ INC. 20042, 20049, 20207, 20473, 20474-20482, 20484-20485, 20508-20510, 20514 EXC. 20530	4-10
GASOLINE AND LPG 3.0L	
EPA COMPLIANT.....	4-74
NON-EPA COMPLIANT	
S/N D187V-12901⇒ EXC. 20662, 20682, 20697, 20701, 20705, 20712, 20714, 20719.....	4-68
LPG 3.0L	
S/N D187V-22009Y⇒	4-78
LPG 3.0L CLOSED LOOP	
S/N D187V-21583Y⇒	4-82
TYPE GS AND LPS 2.0L AND 2.2L	
⇒S/N D187V-20516 INC. 20530 EXC. 20042, 20049, 20207, 20473, 20474-20482, 20484-20485, 20508-20510, 20514	4-8
TYPES GS AND LPS, (3.0L)	
(NON-EPA COMPLIANT).....	4-84
EMISSION CONTROL SYSTEM	
LPG 2.0L AND 2.2L	
EPA COMPLIANT.....	2-66
EMISSION CONTROLS	

TABLE OF CONTENTS (Continued)

DESCRIPTION	PAGE
E (continued)	
GASOLINE AND LPG	
2.0L	2-62
EMISSION CONTROLS GASOLINE	
2.2L	2-64
ENGINE ASSEMBLY	
GASOLINE	
3.0L EPA COMPLIANT	2-86
LPG	
3.0L EPA COMPLIANT	2-90
ENGINE FUEL SYSTEM	
3.0L EPA COMPLIANT	
LPG	3-98
GASOLINE	3-77
LPG 2.0L AND 2.2L	
EPA COMPLIANT	2-74
ENGINE MOUNT	
GASOLINE AND LPG	
2.0L	2-4
2.2L	2-6
3.0L	2-8
EXHAUST	
GASOLINE AND LPG	2-10
LPG WITH LOW EMISSIONS	
2.0L AND 2.2L	2-12
EXHAUST GAS AND LPG	
3.0L GM	2-16
EPA COMPLIANT	2-18
EXHAUST LPG	
2.0L AND 2.2L MAZDA	
EPA COMPLIANT	2-14
F	
FENDERS	13-4
FILTER AND LOCK-OFF VALVE	
LPG	3-114
FIRE EXTINGUISHER	13-52
FLOW VALVE	8-12
FLYWHEEL AND TORQUE CONVERTER	
2.2L	2-78
GASOLINE AND LPG	
2.0L	2-76
3.0L	
⇒S/N D187V-5844	2-80
S/N D187V-5845⇒S/N D187V-8770 INC. 8787 EXC. 8744, 8747, 8748-8749, 8766	2-82
S/N D187V-8771⇒ INC. 8744, 8747, 8748-8749, 8766 EXC. 8787	2-84
FORKS	1-24
MAST GROUP NO. C515-6058	
LIFT HEIGHT TO BOTTOM OF FORK 238.5 IN.	1-26
FRAME AND FLOORPLATES	1-2

TABLE OF CONTENTS (Continued)

DESCRIPTION	PAGE
F (continued)	
FREE LIFT	
THREE STAGE FULL FREE-LIFT	
S40-55XM	11-16
S60-65XM	11-12
FREE-LIFT	
FOUR STAGE FULL FREE-LIFT	
MAST GROUP NO. C515-6058, LIFT HEIGHT TO BOTTOM OF FORK 238.5 IN.....	12-12
TWO STAGE FULL FREE-LIFT	10-8
FREE-LIFT CYLINDER	
FOUR STAGE FULL FREE-LIFT	
MAST GROUP NO. C515-6058, LIFT HEIGHT TO BOTTOM OF FORK 238.5 IN.....	12-18
THREE STAGE FULL FREE-LIFT	
S/N PENDING PER ECN 70703⇒	11-27
⇒S/N PENDING PER ECN 70703	11-24
TWO STAGE FULL FREE-LIFT	
S/N PENDING PER ECN 73703⇒	10-19
⇒S/N PENDING PER ECN 73703	10-16
FUEL	
GASOLINE AND LPG	
2.0L	
⇒S/N D187V-20516 EXC. 20042, 20049.....	2-70
LPG 2.0L AND 2.2L	
S/N D187V-20517⇒ INC. 20042, 20049, 20207, 20473, 20474-20482, 20484-20485, 20508-20510, 20514 EXC. 20530	2-72
FUEL FILTERING AND LOCK-OFF SYSTEM	
3.0L LPG	
EPA COMPLIANT.....	3-116
FUEL REGULATION SYSTEM	
2.0L AND 2.2L LPG	
EPA COMPLIANT.....	3-18
FUEL SYSTEM	
DUAL FUEL 2.0L	
D/B 08/1998⇒.....	3-24
⇒D/B 08/1998.....	3-20
DUAL FUEL 3.0L	3-78
GAS AND DUAL FUEL	
3.0L	
S/N D187V-28576A⇒.....	3-74
GASOLINE AND DUAL FUEL	
3.0L	
⇒S/N D187V-28575A.....	3-70
LPG 2.0L	
⇒S/N D187V-20517 INC. 20530 EXC. 20042, 20049, 20207, 20472, 20473-20482, 20484-20485, 20508-20510, 20514	3-8
LPG 3.0L	
⇒S/N D187V-8342.....	3-82
S/N D187V-8343↔S/N D187V-22008	3-86
LPG 3.0L CLOSED LOOP	
S/N D187V-21583Y⇒	3-94
LPG 3.0L OPEN LOOP	

TABLE OF CONTENTS (Continued)

DESCRIPTION	PAGE
F (continued)	
S/N D187V-20517⇒ INC. 20042, 20049, 20207, 20473, 20474-20482, 20484-20485, 20508-20510, 20514 EXC. 20530	3-90
LPG CLOSED LOOP 2.0L AND 2.2L S/N D187V-21583Y⇒.....	3-14
LPG OPEN LOOP 2.0L AND 2.2L S/N D187V-20517⇒ INC. 20042, 20049, 20207, 20473, 20474-20482, 20484-20485, 20508-20510, 20514 EXC. 20530	3-12
FUEL TANK GASOLINE AND DUAL FUEL 2.0L	3-28
G	
GOVERNOR GASOLINE AND LPG 2.0L	3-30
LPG 2.0L AND 2.2L S/N D187V-20517⇒ INC. 20042, 20049, 20207, 20473, 20474-20482, 20484-20485, 20508-20510, 20514 EXC. 20530	3-32
LPG 3.0L ⇒S/N D187V-8342.....	3-106
H	
HEADER HOSE FOUR STAGE FULL FREE-LIFT MAST GROUP NO. C515-6058, LIFT HEIGHT TO BOTTOM OF FORK 238.5 IN. ⇒S/N D187V-22687	12-22
S/N D187V-22688⇒	12-26
THREE STAGE FULL FREE-LIFT	11-32
TWO STAGE FULL FREE-LIFT	10-24
TWO STAGE LIMITED FREE-LIFT	9-20
HOOD.....	1-4
HYDRAULIC PUMP SINGLE GEAR ⇒S/N D187V-11373 EXC. 11328-11334, 11363	8-6
⇒S/N D187V-16539 For 3.0L, S/N D187V-11374⇔S/N D187V-17120 INC. 11328-11334, 11363 For 2.0L	8-8
S/N D187V-16540⇒ INC. 16535 For 3.0L, S/N D187V-17121⇒ INC. 17035, 17037, 17038-17039 For 2.0L	8-10
HYDRAULIC SYSTEM	8-2
I	
IDLE-UP MODULE	3-132
INNER MAST FOUR STAGE FULL FREE-LIFT MAST GROUP NO. C515-6058, LIFT HEIGHT TO BOTTOM OF FORK 238.5 IN.....	12-8
THREE STAGE FULL FREE-LIFT	11-6
TWO STAGE FULL FREE-LIFT	10-4
TWO STAGE LIMITED FREE-LIFT	9-4

TABLE OF CONTENTS (Continued)

DESCRIPTION	PAGE
I (continued)	
INPUT AND COUNTER CLUTCH	
T082	
S/N D187V-23103Y INC. 22976, 23040, 23041-23043, 23066-23068, 23073-23074, 23076-23077, 23084, 23094-23096⇒S/N PENDING PER ECN 74068	5-22
S/N T082M-07726⇔S/N T082M-23848.....	5-18
S/N T082M-23849⇔S/N D187V-23102Y EXC. 23111, 23114, 23115, 23121, 23122-23123, 23125, 23131.....	5-20
T111	
S/N PENDING PER ECN 74068⇒	5-24
INSTRUMENT CLUSTER	
⇒S/N D187V-28575A.....	4-156
S/N D187V-28576A⇒.....	4-158
INSTRUMENT PANEL AND DASH	4-154
INTEGRAL SIDE-SHIFT	
HYDRAULIC HOSES	
THREE AND FOUR STAGE FULL FREE-LIFT.....	13-22
TWO STAGE FULL FREE-LIFT	13-21
TWO STAGE LIMITED FREE-LIFT	13-20
INTEGRAL SIDE-SHIFT CARRIAGE	
THREE AND FOUR STAGE FULL FREE-LIFT	13-16
TWO STAGE FULL FREE-LIFT	13-14
TWO STAGE LIMITED FREE-LIFT.....	13-12
INTEGRAL SIDE-SHIFT CYLINDER	13-18
INTERMEDIATE 1 MAST	
FOUR STAGE FULL FREE-LIFT	
MAST GROUP NO. C515-6058, LIFT HEIGHT TO BOTTOM OF FORK 238.5 IN.....	12-4
INTERMEDIATE 2 MAST	
FOUR STAGE FULL FREE-LIFT	
MAST GROUP NO. C515-6058, LIFT HEIGHT TO BOTTOM OF FORK 238.5 IN.....	12-6
INTERMEDIATE MAST	
THREE STAGE FULL FREE-LIFT	11-4
L	
LABELS.....	1-19
LIFT	
TWO STAGE LIMITED FREE-LIFT.....	9-6
LIFT EYE.....	13-2
LIGHTS	
S/N PENDING PER ECN 66324⇒	13-48
⇒S/N PENDING PER ECN 66324	13-46
LOAD BACKREST EXTENSION.....	1-21
LPG CONVERTER	
⇒S/N D187V-9656 EXC. 9540-9546, 9566-9568, 9570-9575, 9603-9608, 9635, 9638-9639, 9641-9644, 9649-9651, 9655.....	3-118
S/N D187V-9657⇒ INC. 9540-9546, 9566-9568, 9570-9575, 9603-9608, 9635, 9638-9639, 9641-9644, 9649-9651, 9655.....	3-120
LPG REGULATOR	
3.0L EPA COMPLIANT	
LPG	3-122

TABLE OF CONTENTS (Continued)

DESCRIPTION	PAGE
L (continued)	
LPG TANK ⇒S/N D187V-20517 INC. 20530 EXC. 20042, 20049, 20207, 20472, 20473-20482, 20485, 20508-20510, 20514.....	3-4
LPG TANK AND MOUNTING S/N D187V-20517⇒ INC. 20042, 20049, 20207, 20473, 20474-20482, 20484-20485, 20508-20510, 20514 EXC. 20530.....	3-6
M	
MAIN CYLINDER	
FOUR STAGE FULL FREE-LIFT (LH) MAST GROUP NO. C515-6058, LIFT HEIGHT TO BOTTOM OF FORK 238.5 IN.....	12-14
FOUR STAGE FULL FREE-LIFT (RH) MAST GROUP NO. C515-6058, LIFT HEIGHT TO BOTTOM OF FORK 238.5 IN.....	12-16
LEFT HAND	
TWO STAGE FULL FREE-LIFT	10-12
RIGHT HAND	
TWO STAGE FULL FREE-LIFT	10-14
THREE STAGE FULL FREE-LIFT	11-20
MAIN LIFT	
FOUR STAGE FULL FREE-LIFT MAST GROUP NO. C515-6058, LIFT HEIGHT TO BOTTOM OF FORK 238.5 IN.....	12-10
THREE STAGE FULL FREE-LIFT	11-8
TWO STAGE FULL FREE-LIFT	10-6
MANIFOLD	
2.2L.....	2-46
GASOLINE AND LPG	
2.0L	2-44
MANIFOLD VALVE	
T082 AND T111 S/N D187V-23103Y⇒ INC. 23040-23043, 23066-23068, 23073-23074, 23076-23077, 23084, 23094-23095 EXC. 23111-23115, 23121-23123, 23125, 23131, 23139.....	5-37
MANIFOLDS	
LPG 2.0L AND 2.2L EPA COMPLIANT.....	2-48
MAST INSTALLATION.....	8-14
FOUR STAGE FULL FREE-LIFT	8-16
MASTER CYLINDER	7-12
MIRROR.....	13-50
MONOTROL PEDAL	3-130
O	
OIL PUMP AND FILTER	
2.2L.....	2-42
GASOLINE AND LPG	
2.0L	2-30
OUTER MAST	
FOUR STAGE FULL FREE-LIFT MAST GROUP NO. C515-6058, LIFT HEIGHT TO BOTTOM OF FORK 238.5 IN.....	12-2
THREE STAGE FULL FREE-LIFT	11-2

TABLE OF CONTENTS (Continued)

DESCRIPTION	PAGE
O (continued)	
TWO STAGE FULL FREE-LIFT	10-2
TWO STAGE LIMITED FREE-LIFT	9-2
P	
PARK BRAKE	7-10
PEDAL LINKAGE	3-128
POWERTRAIN PROTECTION SYSTEM	13-40
PUMP DRIVE	
T066 AND T082	
⇒S/N T082M-07725	5-44
T082 AND T111	
S/N T082M-07726⇒	5-46
R	
RADIATOR AND HOSES	
GASOLINE AND LPG	2-58
REGULATOR	
CLOSED LOOP	
S/N D187V-21583Y⇒	3-46
OPEN LOOP	
S/N D187V-20517⇒ INC. 20042, 20049, 20207, 20473, 20474-20482, 20484-20485, 20508-20510, 20514 EXC. 20530	3-44
S	
SEAT	1-10
FULL SUSPENSION	
SHEET 1 OF 2	
D/B 03/2000⇒	1-14
SHEET 2 OF 2	
D/B 03/2000⇒	1-16
SHIFT LEVER	6-4
SIDE-SHIFT CARRIAGE	13-6
SIDE-SHIFT CYLINDER	13-9
SOLENOID	
DUAL FUEL 2.0L	3-48
STARTER	
GASOLINE AND LPG	
2.0L	
S/N D187V-15076⇒ EXC. 15704-15708, 17487-17490, 17519-17521	4-150
⇒S/N D187V-15076 INC. 15704-15708, 17487-17490, 17519-17521	4-148
3.0L	
⇒S/N D187V-4259	4-152
STEERING AXLE	
⇒S/N D187V-17734X EXC. 17715	6-6
S/N D187V-17735X⇒ INC. 17715	6-10
STEERING CONTROL UNIT	
⇒S/N D187V-8599 INC. 8607-8609 EXC. 8528-8530, 8547, 8550-8551, 8554-8555, 8561, 8565, 8570, 8589, 8596	6-12

TABLE OF CONTENTS (Continued)

DESCRIPTION	PAGE
S (continued)	
S/N D187V-8600⇒ INC. 8528-8530, 8547, 8550-8551, 8554-8555, 8561, 8565, 8570, 8589, 8596 EXC. 8607-8609.....	6-14
STEERING CYLINDER.....	6-16
STEERING POD.....	6-2
STROBE LIGHT.....	13-42
T	
THROTTLE BODY AND LPG MIXER 3.0L EPA COMPLIANT LPG.....	3-110
THROTTLE BODY INJECTION 3.0L EPA COMPLIANT GASOLINE.....	3-112
GASOLINE 3.0L.....	3-108
THROTTLE LINKAGE GASOLINE AND LPG 3.0L ⇒S/N D187V-22008Y.....	3-124
S/N D187V-22009Y⇒.....	3-126
GASOLINE AND LPG 2.0L ⇒S/N D187V-20517 INC. 20530 EXC. 20042, 20049, 20207, 20472, 20473-20482, 20484-20485, 20508-20510, 20514.....	3-50
GASOLINE AND LPG 2.0L AND 2.2L S/N D187V-20517⇒ INC. 20042, 20049, 20207, 20473, 20474-20482, 20484-20485, 20508-20510, 20514 EXC. 20530.....	3-52
TILT CYLINDER AND ATTACHING PARTS.....	8-18
TIMING GEAR COVER AND OIL PAN 2.2L.....	2-40
GASOLINE AND LPG 2.0L.....	2-28
TIRE AND WHEEL DRIVE WHEEL.....	13-36
STEER WHEEL.....	13-38
TRANSMISSION 1 OF 2 T066 AND T082 ⇒S/N T082M-07725.....	5-2
T082 S/N T082M-07726⇔S/N PENDING PER ECN 74068-01.....	5-8
T111 S/N PENDING PER ECN 74068-01⇒.....	5-14
2 OF 2 T066 AND T082 (INPUT AND COUNTER CLUTCH) ⇒S/N T082M-07725.....	5-6
T082 S/N T082M-07726⇔S/N PENDING PER ECN 74068-01.....	5-12
T111 S/N PENDING PER ECN 74068-01⇒.....	5-17
TRANSMISSION COOLING.....	5-50

TABLE OF CONTENTS (Continued)

DESCRIPTION	PAGE
V	
VALVE ATTACHING PARTS	
FOUR FUNCTION	8-28
THREE FUNCTION	8-20
W	
WIRE HARNESS	
3.0L LPG	
CLOSED LOOP	4-124
CHASSIS	
⇒S/N D187V-19469 INC. 19967	4-40
S/N D187V-19470⇔S/N D187V-20516	4-42
S/N D187V-20517⇒.....	4-44
CHASSIS (GASOLINE AND LPG)	
3.0L EPA COMPLIANT.....	4-46
CLUSTER	
S/N PENDING PER ECN 66100⇒	4-34
⇒S/N PENDING PER ECN 66100	4-32
COWL	
⇒S/N D187V-21582Y	4-24
S/N D187V-21583Y⇔S/N D187V-23102Y	4-26
S/N D187V-23103Y EXC. 23113-23115, 23121-23123, 23125, 23131⇔S/N PENDING PER ECN 65304.....	4-28
S/N PENDING PER ECN 65034⇒	4-30
DUAL FUEL	
D/B 08/1998⇒.....	4-60
⇒D/B 08/1998.....	4-58
ENGINE	
GASOLINE 3.0L	
⇒S/N D187V-15584 INC. 15586-15589.....	4-88
S/N D187V-15585⇒ EXC. 15586-15589	4-92
GASOLINE AND LPG	
⇒D/B 08/1998	4-48
D/B 8/1998⇔S/N D187V-16452 INC. 16490-16493 EXC. 16299	4-50
S/N D187V-16453⇒ INC. 16299 EXC. 16490-16493	4-52
LPG 2.0L AND 2.2L CLOSED LOOP	
⇒S/N D187V-21582Y.....	4-54
LPG 3.0L	
⇒S/N D187V-8342.....	4-96
LPG 3.0L WITH MSTs	
S/N D187V-12901⇔S/N D187V-22008Y	4-102
S/N D187V-22009⇔S/N D187V-25716Z	4-104
S/N D187V-25717Z⇒.....	4-108
S/N D187V-8343⇔S/N D187V-12900.....	4-98
LPG 3.0L WITHOUT MSTs	
S/N D187V-22009⇔S/N D187V-25716Z	4-118
S/N D187V-25717Z⇒.....	4-122
S/N D187V-8343⇔S/N D187V-16505 EXC. 16494-16498, 16500-16501, 16503-16504.....	4-112
ENGINE LPG 3.0L WITHOUT MSTs	
S/N D187V-16506⇔S/N D187V-22008Y INC. 16494-16498, 16500-16501, 16503-16504, 16507	4-114
FORWARD AND REVERSE	
⇒S/N PENDING PER ECN 65034	4-36

TABLE OF CONTENTS (Continued)

DESCRIPTION	PAGE
W (continued)	
FORWARD AND REVERSE LEVER	
S/N PENDING PER ECN 65034⇒	4-38
LPG	
S/N D187V-20517⇒ INC. 20042, 20049, 20207, 20473, 20474-20482, 20484-20485, 20508-20510, 20514.....	4-62
MAIN ENGINE, GASOLINE AND LPG	
EPA COMPLIANT.....	4-126
NEUTRAL START	4-57

ABBREVIATIONS QUICK REFERENCE SHEET

Listed below are abbreviations used in parts manuals to denote the following expressions:

TERM	DEFINITION	TERM	DEFINITION
Amp	Amperes	FRE	Freezer Environment
AR	As Required	in.	inches
BDI	Battery Discharge Indicators	LPG	Liquefied Petroleum Gas
BWI	Brush Wear Indicator	MAP	Manifold Absolute Pressure
CE	Communicator End	mm	millimeters
CRE	Corrosive Environment	MSTS	Microprocessor Spark Timing System
D/B	Date Break	NPT	National Pipe Threads
dbA	Decibel "A" Scale	O/S	Oversize
DE	Drive End	PTO	Power Take Off
ECH	Empty Container Handler	RPM	Revolutions per Minute
ECH-3	Empty Container Handler - 3 High Stacking	S/N	Serial Number
ECH-4	Empty Container Handler - 4 High Stacking	TMM	Truck Management Module
ECH-5	Empty Container Handler - 5 High Stacking	UL Type D	Diesel-Powered Safety Rating
ECH-6	Empty Container Handler - 6 High Stacking	UL Type DS	Diesel-Powered Safety Rating
ECH-7	Empty Container Handler - 7 High Stacking	UL Type E	Battery-Powered Safety Rating
ECM	Electronic Control Module	UL Type EE	Battery-Powered Safety Rating
ECN	Engineering Change Notice	UL Type ES	Battery-Powered Safety Rating
EEPROM	Electrically Erasable Programmable Read Only Memory	UL Type G	Gasoline-Powered Safety Rating
EPROM	Electrically Programmable Read Only Memory	UL Type GS	Gasoline-Powered Safety Rating
		UL Type LP	Gas-Powered Safety Rating
		UL Type LPS	LP Gas-Powered Safety Rating
		U/S	Undersize
		UL	Underwriters Laboratory
		V	Volts

HOW TO USE THE ILLUSTRATED PARTS MANUAL

This parts manual describes and illustrates assemblies, subassemblies, and detail parts needed for service replacement.

The different constructions are indicated by keys and footnotes. The callouts correspond to descriptions found on the the next page.

HYSTER UNIT CODE D001 NORTH AMERICA 06/2001

TABLE OF CONTENTS

DESCRIPTION	PAGE
AIR INTAKE AND FILTER DIESEL (⇒ D/B 11/96 ⇒)	3-22
AIR INTAKE AND FILTER DIESEL (D/B 11/96 ⇒)	
AIR INTAKE AND FILTER GASOLINE AND LPG	
ALTERNATOR GASOLINE, LPG, AND DIESEL	
ALTERNATOR TYPES GS, LPS, AND DS	
AUXILIARY FUNCTION TUBE TWO AND THREE STAGE FULL F	

SECTION 13 NUMERICAL INDEX

PART NO.	ITEM PAGE NO.	PART NO.	ITEM PAGE NO.	PART NO.	ITEM PAGE NO.	PART NO.	ITEM PAGE NO.
142	3-4 19	10-13	25	11-27	29	12-31	12
12445	3-32 19	10-17	6	11-31	25	3-35	5
	3-34 1	10-27	11	11-32	37	16751	3-16 27
		11	6	8-4	29	16845	3-34 21
		11-11	6	8-4	45		3-36 20
		12-21	11	8-8	34	16863	3-26 17
		4	13	9-7	9	16885	3-6 18
		12	6	9-7	19		9-7 30
		3	17	9-11	9	16882	9-11 27
		23	46	10-9	21		10-10 36
		27	46	10-9	26		10-13 32
		26	14	10-13	16		11-7 24
		28	14	11-7	18		11-9 17
		30	14				

SECTIONS

- FRAME
- ELECTRICAL SYSTEM
-
-
- BRAKE/ACC
-
- MAST-TWO STAGE
- MAST-THREE STAGE
- MAST-TWO STAGE
-
-

TRANSMISSION HOUSING ⇒ S/N D001H-2628

KEY:
A: Diesel
B: Gasoline and LPG

ITEM	PART NO.	DESCRIPTION	QTY	
			A	B
	2022547	Transmission	1	1
	2023329	Transmission	1	1
	2021670	Case	2	2
1	2023419	Bearing Cap	4	4
2	296426	Washer	4	4
3	293592	Bolt	1	1
4	2021390	Coil	2	2
5	1371655	Coller Pin	4	4
6	2021329	O-Ring	1	1
7	2021915	Plug	4	4
8	2021675	Housing	22	22
9	2021336	Bolt	39	39
10	287860	Bolt	1	1
11	292682	Lockwasher	1	1
12		Hydraulic Pump	1	1
13		** Figure 5-3	8	8
14	2021345	Gasket	8	8
15	214364	Bolt	1	1
16	256418	Washer	1	1
17	2021388	Temperature Switch	1	1
18	2021389	Breather	9	9
19	2021383	Dipstick	9	9
20	292515	Bolt	2	2
21	136692	Nut	3	3
22	292527	Bolt	3	2
23	292531	Capscrew	4	4
24	292683	Lockwasher	4	4
25	293837	Bolt	1	1
26	296420	Washer	1	1
	996403	Transmission Kit (Includes Item 7)	1	1
	996405	Transmission Kit (Includes Item 14)	1	1

This Parts Manual is divided into 11 major sections which are listed above. Quick reference can be made by placing the right thumb on the tab of the desired section, bending the pages to the corresponding tab.

© Copy Right Date HYSTER COMPANY See Service Manual for service procedures. 5-15

HOW TO FIND THE DESIRED PART NUMBER

WHEN THE PART NUMBER AND THE NEXT HIGHER ASSEMBLY IS NOT KNOWN:

1. Determine the function and application of the part required. Turn to the Sections Page. Choose the general area of reference most likely to include the part.
2. Turn to the section you chose. Use the Section Table of Contents to determine the assembly which would normally contain the part required. Then locate the part on the assembly breakdown page.

WHEN THE PART NUMBER IS NOT KNOWN AND THE NEXT HIGHER ASSEMBLY IS KNOWN:

3. Determine the assembly the required part is used on. Turn to the Table of Contents on Page i.
4. Locate the assembly the required part is used on and turn to the page indicated for that assembly. Then locate the part on the assembly breakdown page.

WHEN THE PART NUMBER IS KNOWN:

5. Use the Numerical Index on Page 14-1 to find the part number. Turn to the page listed and locate the part as indicated by the item number.

GENERAL:

The assembly breakdowns include part numbers, descriptions, quantities required, keys and footnotes to help in selecting correct parts.

6. Five periods in the PART NO. column (.) indicate that the part is either *Not Serviced Separately* or there is a reference to another figure. A figure reference is denoted by a pointing hand followed by a figure number in the DESCRIPTION column (☞ Figure 10)
7. Keys are used to show two or more similar assemblies, RH and LH assembly parts, etc. Select the appropriate key, "A", "B", "C", "D", or "E" and the corresponding quantity column to find the required parts. Two periods in the QTY column (..) indicate that the part is not used for that assembly.
8. Indented descriptions under the DESCRIPTION column are used to indicate assemblies and subparts of assemblies. In the example on the

previous page, *BEARING CAP* (Item 2) is a subpart of the major assembly *CASE*.

9. Quantities shown are for one assembly. The quantities of the subpart *BEARING CAP* are indicated as two and two. This means two per *CASE* assembly.
10. Serial number breaks identify the most current parts information and are shown as follows:
 - ⇒ **S/N D001H-2628**
Indicates last serial number affected.
 - S/N D001H-2629** ⇒
Indicates the first serial number affected.
 - S/N D001H-1553** ⇔ **S/N D001H-3291**
Indicates a range of serial numbers affected.

ECN numbers for pending serial numbers are shown to allow for the inclusion of the most current parts information and are identified as follows:

- ⇒ **S/N Pending Per ECN 63243**
Indicates a pending serial number for last unit affected.
- S/N Pending Per ECN 63243** ⇒
Indicates a pending serial number for first unit affected.

Date breaks are used to indicate when a change occurred but a subsequent serial number break was not recorded. This is an arbitrary date usually based on the ECN release and are identified as follows:

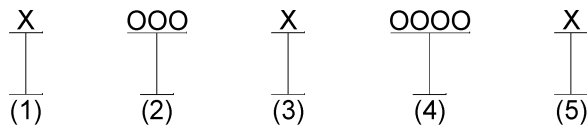
- ⇒ **D/B 3/00**
Indicates that a change occurred sometime within that month for the item affected.
- D/B 3/00** ⇒
Indicates that a change occurred sometime within that month for the item affected.
- D/B 3/00** ⇔ **D/B 4/00**
Indicates a range of production dates of the item affected.

Contact your local dealer for Hyster lift trucks for serial number information for items with a ECN or a date break.

ORDERING PARTS:

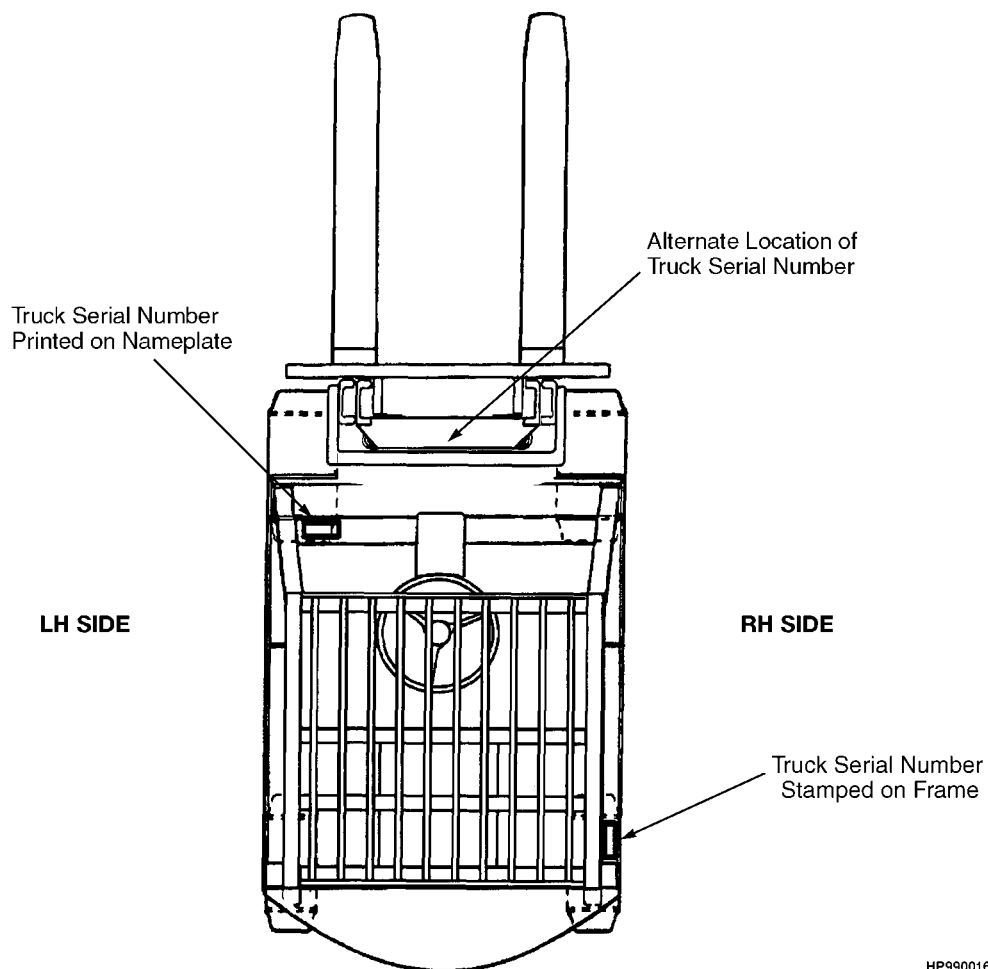
When ordering replacement parts, give the unit serial number, part number, name of part and quantity required.

For any further information on parts, service, or ordering, consult your local dealer for Hyster lift trucks.

IDENTIFICATION OF TRUCK SERIAL NUMBERS

- (1) and (2) The first letter and three numbers indicate the truck unit code.
- (3) The second letter indicates the plant of manufacture.
- (4) The four or five digit number indicates the production sequence number of the truck.
- (5) The final letter indicates the year of manufacture starting with "A" in 1957 and 1980. The letters "I", "O", and "Q" will not be used.

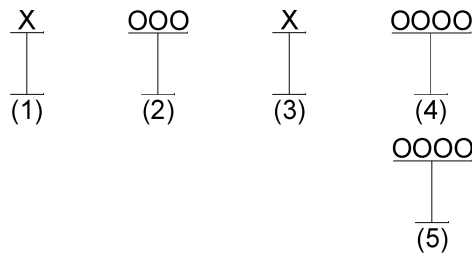
For pending serial numbers contact your local dealer for Hyster lift trucks.



HP990016

Parts referred to in this book as right or left hand parts are in accordance with the illustration above.

IDENTIFICATION OF MAST SERIAL NUMBERS



- (1) and (2) The first letter and number indicates the mast unit code.
- (3) The second letter indicates the plant of manufacture.
- (4) The four or five digit number indicates the production sequence number of the mast.
- (5) Carriage travel in millimeters stamped just below the serial number.

Mast Group identification consists of mast unit code (1) and (2) plus carriage travel (5).

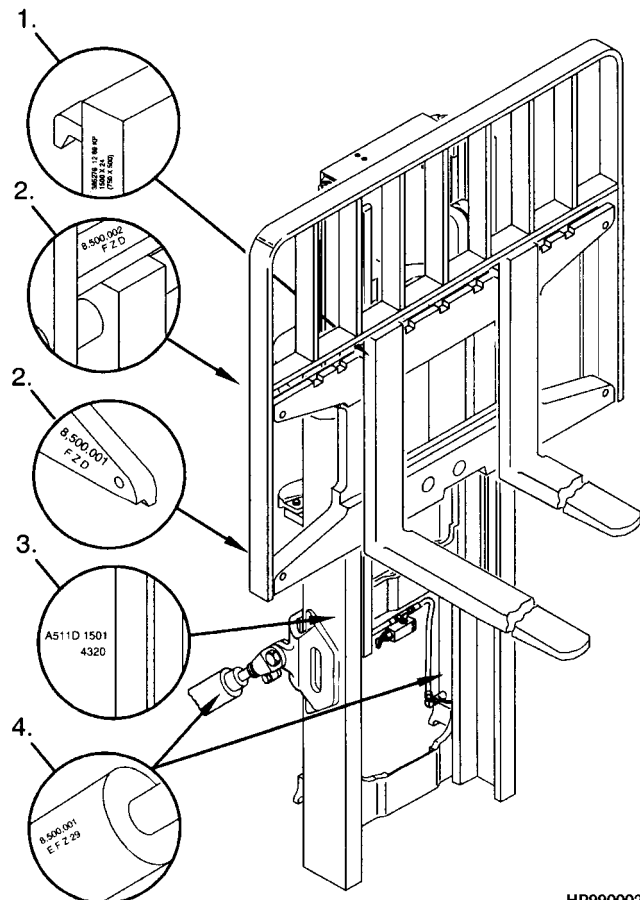
For pending production sequence numbers contact your local dealer for Hyster lift trucks.

LIFT EQUIPMENT IDENTIFICATION

1. Fork part number, capacity rating, plant code letter, and date of manufacture are stamped approximately six inches below the top of most forks.
2. The carriage group number is stamped on the right hand side of the top crossmember (pin type) or on the back of the right hand end of the bottom crossmember (hook type). A date code has two letters in line with or below the carriage group number.
3. The mast identification number has a unit code, a letter indicating the plant of manufacture, and a serial number. Underneath the production sequence number is a four digit number that indicates the carriage travel in millimeters.
4. Tilt and lift cylinder group numbers are stamped on the cylinder shell.

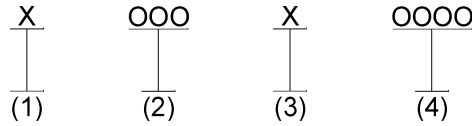
Always refer to the group, serial, or part number when ordering service parts.

Modification of masts and carriages by SPED (Special Products Engineering Department) are identified by a model prefix code beginning with the letter "S". contact your dealer for Hyster lift trucks for information on these assemblies.



HP990002

IDENTIFICATION OF ATTACHMENT AND SIDE-SHIFT CARRIAGE SERIAL NUMBERS

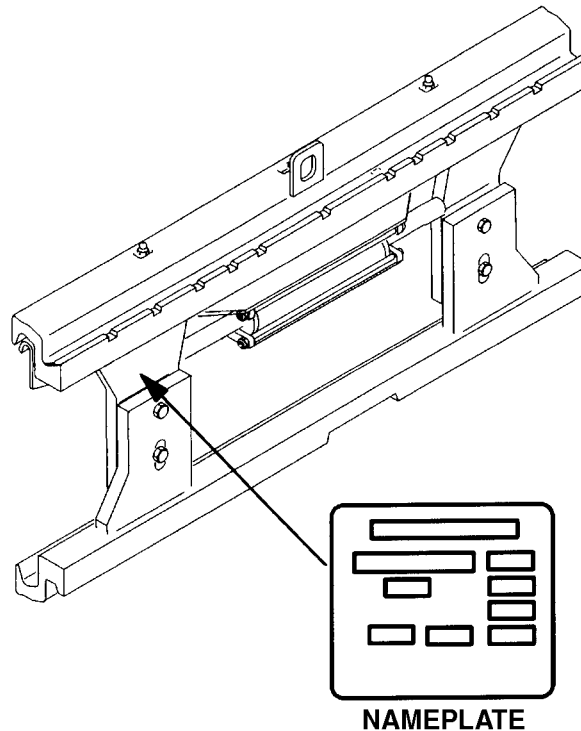


(1) and (2) The first letter and three numbers indicate the attachment unit code.

(3) The second letter indicates the plant of manufacture.

(4) The four or five digit number indicates the production sequence number.

For pending production sequence numbers contact your local dealer for Hyster lift trucks.



HP990003

Side-shift carriages and attachments have nameplates. Use the serial number found on the nameplate to identify the attachment.

Always refer to the group, serial, or part number when ordering service parts.

Modifications of attachments and side-shift carriages by SPED (Special Products Engineering Department) are identified by a model prefix code beginning with the letter "S". Contact your dealer for Hyster lift trucks for information on these assemblies.

PUBLICATIONS

Every new lift truck is provided with an OPERATING MANUAL. This manual has information that the operator must know for inspection and operation of the lift truck.

SERVICE MAINTENANCE MANUALS, which provide service and overhaul procedures, and PARTS MANUALS with complete replacement part identification, are available at a nominal fee from your Hyster dealer to assist users in effectively maintaining Hyster lift trucks in a safe, useful condition. See the list below for information on ordering specific publications for this model lift truck.

PUBLICATION	HYSTER PART NUMBER
Operating Manual	1458874
Service Manual (Complete)	1477490
Parts Manual	897661

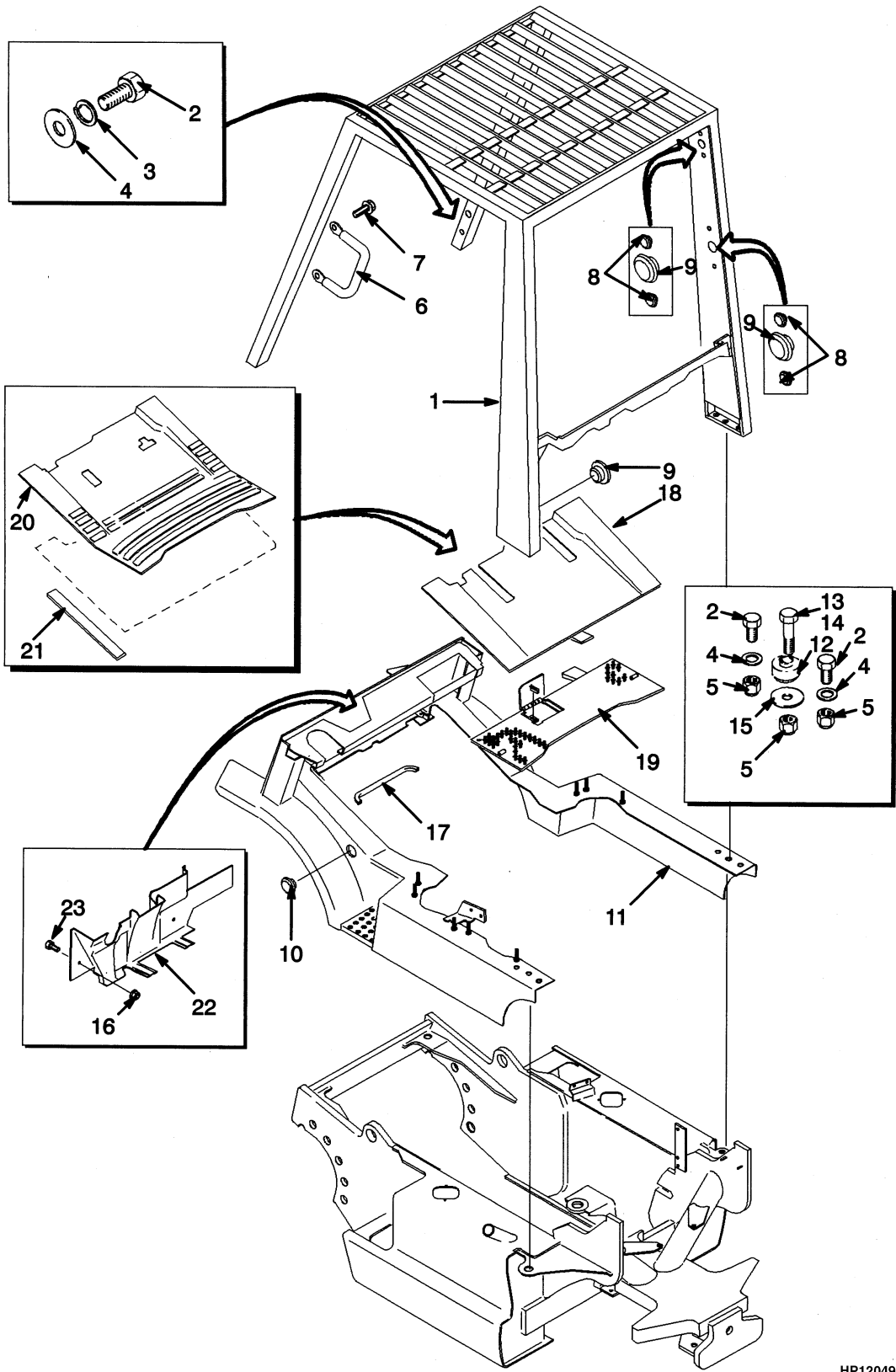
1

FRAME

SECTION 1
FRAME

DESCRIPTION	PAGE
COUNTERWEIGHT	1-8
FORKS	1-24
MAST GROUP NO. C515-6058	
LIFT HEIGHT TO BOTTOM OF FORK 238.5 IN.	1-26
FRAME AND FLOORPLATES.....	1-2
HOOD.....	1-4
LABELS.....	1-19
LOAD BACKREST EXTENSION.....	1-21
SEAT.....	1-10
FULL SUSPENSION	
SHEET 1 OF 2	
D/B 03/2000⇒	1-14
SHEET 2 OF 2	
D/B 03/2000⇒	1-16

FRAME AND FLOORPLATES (Figure 1-1)



HP120492

Please Click Here To Download The Complete Manual
Download Other Manuals
If Having Any Questions Feel Free To Contact us

admin@servicemanualbit.com