

PARTS MANUAL

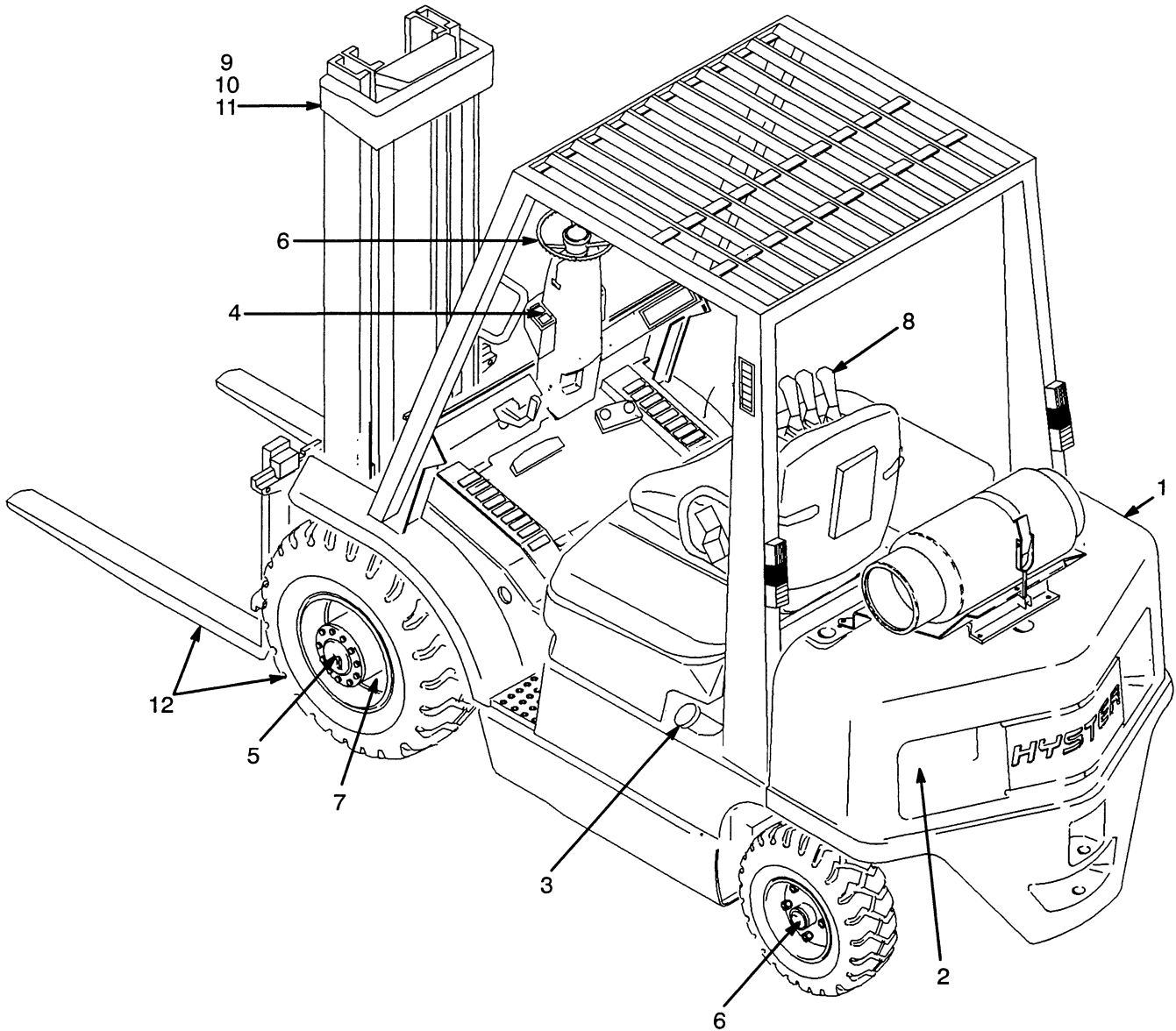
**CHALLENGER
H45-50-55-60-65XM**

(D177)

CUSTOMER EDITION

HYSTER

ILLUSTRATED CONTENTS



REF	SECTION	PAGE
1	Frame	1
2	Engine	13
3	Fuel System	107
4	Electrical System	175
5	Transmission	285
6	Steering System	307
7	Brake System	315
8	Hydraulic System	323
9	Two Stage Limited Free-Lift Mast	347
10	Three Stage Full Free-Lift Mast	369
11	Two Stage Full Free-Lift Mast	403
12	Optional	435
13	Numerical Index	481

TABLE OF CONTENTS

<u>DESCRIPTION</u>	<u>PAGE NO.</u>
A	
ACCESSORIES (Figure 243) CAB	Page 460
AIR FILTER AND BREATHER (Figure 89) GASOLINE & LPG 3.0L	Page 152
AIR FILTER (Figure 88) GASOLINE AND LPG 2.0L & 2.2L	Page 150
AIR FILTER (Figure 90) DIESEL	Page 154
ALTERNATOR (Figure 141) GASOLINE & LPG 2.0L	Page 260
ALTERNATOR (Figure 142) GASOLINE & LPG 2.2L	Page 261
ALTERNATOR (Figure 143) GASOLINE & LPG 3.0L LAST USED ON S/N D177B41709	Page 262
ALTERNATOR (Figure 144) GASOLINE & LPG 3.0L FIRST USED ON S/N D177B-41710	Page 264
ALTERNATOR (Figure 145) DIESEL 2.4L	Page 266
ALTERNATOR (Figure 146) DIESEL 2.8L & 3.1L	Page 268
ALTERNATOR (Figure 147) TYPES GS, LPS & DS LAST USED ON S/N D177B-42119	Page 270

TABLE OF CONTENTS

DESCRIPTION	PAGE NO.
A (Continued)	
ALTERNATOR (Figure 148) TYPES GS, LPS & DS FIRST USED ON S/N D177B-42120	Page 272
AUDIBLE ALARMS (Figure 252)	Page 471
AUXILIARY TUBE EXTENSION KIT (Figure 253) TWO-STAGE LFL	Page 472
AUXILIARY TUBE EXTENSION KIT (Figure 254) TWO-STAGE & THREE-STAGE FFL	Page 474
B	
BRAKE (Figure 173)	Page 318
BRAKE LINES (Figure 174)	Page 320
BRAKE PEDAL LINKAGE (Figure 172)	Page 316
C	
CAB KIT (Figure 238) WITH DOORS MOUNTED INSIDE OVERHEAD GUARD	Page 452
CAB KIT (Figure 239) WITH DOORS MOUNTED AGAINST OUT-BOARD SIDE OF OVERHEAD GUARD	Page 454
CAB KIT (Figure 240) PVC	Page 456
CAB SOUND LINERS (Figure 245)	Page 464

TABLE OF CONTENTS

<u>DESCRIPTION</u>	<u>PAGE NO.</u>
C (Continued)	
CAMSHAFT & OIL PAN (Figure 32) GASOLINE & LPG 3.0L	Page 54
CAMSHAFT & TIMING GEAR (Figure 23) GASOLINE & LPG 2.2L	Page 40
CAMSHAFT & VALVES (Figure 13) GASOLINE & LPG 2.0L	Page 27
CAMSHAFT & VALVES (Figure 41) DIESEL 2.4L	Page 69
CAMSHAFT & VALVES (Figure 51) DIESEL 2.8L LAST USED ON S/N D177B-8291	Page 84
CAMSHAFT & VALVES (Figure 61) DIESEL 3.1L FIRST USED ON S/N D177B-8292	Page 100
CARBURETOR (Figure 82) GASOLINE 2.0L	Page 139
CARBURETOR (Figure 83) LPG 2.0L	Page 140
CARBURETOR (Figure 85) LPG 2.2L	Page 144
CARBURETOR (Figure 86) LPG 3.0L	Page 146
CARRIAGE (Figure 194) TWO STAGE LFL FOUR ROLLER	Page 358

TABLE OF CONTENTS

<u>DESCRIPTION</u>	<u>PAGE NO.</u>
C (Continued)	
CARRIAGE (Figure 195) TWO STAGE LFL SIX ROLLER	Page 359
CARRIAGE (Figure 208) THREE STAGE FFL SIX ROLLER (LAST USED ON S/N B508V-4186, B563V-2161)	Page 391
CARRIAGE (Figure 209) THREE STAGE FFL SIX ROLLER (FIRST USED ON S/N B508V-4187, B563V-2162)	Page 392
CARRIAGE (Figure 222) TWO STAGE FFL FOUR ROLLER	Page 423
CARRIAGE (Figure 223) TWO STAGE FFL SIX ROLLER	Page 424
CLUTCH FORWARD AND REVERSE (Figure 159) LAST USED ON TRANSMISSION S/N T51,T52,T53,T78	Page 290
CLUTCH-FORWARD & REVERSE (Figure 160) FIRST USED ON TRANSMISSION S/N T80M-1501, T81M-1501,T83M-1501	Page 292
CONTROL VALVE (Figure 163) TRANSMISSION	Page 298
CONTROL VALVE (Figure 187) THREE FUNCTION	Page 342
COOLING (Figure 19) GASOLINE & LPG 2.0L	Page 33

TABLE OF CONTENTS

<u>DESCRIPTION</u>	<u>PAGE NO.</u>
C (Continued)	
COOLING (Figure 27) GASOLINE & LPG 2.2L	Page 45
COOLING (Figure 31) GASOLINE & LPG 3.0L	Page 52
COUNTERWEIGHT (Figure 3)	Page 6
CRANKCASE & OIL PAN (Figure 40) DIESEL 2.4L	Page 68
CRANKCASE & OIL PAN (Figure 53) DIESEL 2.8L LAST USED ON S/N D177B-8291	Page 88
CRANKCASE & OIL PAN (Figure 63) DIESEL 3.1L FIRST USED ON S/N D177B-8292	Page 103
CRANKSHAFT & PISTON (Figure 12) GASOLINE & LPG 2.0L	Page 26
CRANKSHAFT & PISTON (Figure 28) GASOLINE & LPG 3.0L	Page 46
CRANKSHAFT & PISTON (Figure 42) DIESEL 2.4L	Page 70
CRANKSHAFT & PISTON (Figure 52) DIESEL 2.8L LAST USED ON S/N D177B-8291	Page 86
CRANKSHAFT & PISTON (Figure 62) DIESEL 3.1L FIRST USED ON S/N D177B-8292	Page 102

TABLE OF CONTENTS

DESCRIPTION	PAGE NO.
C (Continued)	
CYLINDER BLOCK (Figure 10) GASOLINE & LPG 2.0L	Page 24
CYLINDER BLOCK (Figure 21) GASOLINE & LPG 2.2L	Page 36
CYLINDER BLOCK (Figure 37) DIESEL 2.4L	Page 62
CYLINDER BLOCK (Figure 49) DIESEL 2.8L LAST USED ON S/N D177B-8291	Page 80
CYLINDER BLOCK (Figure 59) DIESEL 3.1L FIRST USED ON S/N D177B-8292	Page 96
CYLINDER (Figure 192) TWO STAGE LFL H45-55XM	Page 354
CYLINDER (Figure 193) TWO STAGE LFL H60-65XM	Page 356
CYLINDER HEAD (Figure 11) GASOLINE & LPG 2.0L	Page 25
CYLINDER HEAD (Figure 22) GASOLINE & LPG 2.2L	Page 38
CYLINDER HEAD (Figure 29) GASOLINE & LPG 3.0L	Page 48

TABLE OF CONTENTS

<u>DESCRIPTION</u>	<u>PAGE NO.</u>
C (Continued)	
CYLINDER HEAD (Figure 39) DIESEL 2.4L	Page 66
CYLINDER HEAD (Figure 50) DIESEL 2.8L LAST USED ON S/N D177B-8291	Page 82
CYLINDER HEAD (Figure 60) DIESEL 3.1L FIRST USED ON S/N D177B-8292	Page 98
D	
DIFFERENTIAL (Figure 161) LAST USED ON TRANSMISSION S/N T51,T52,T53,T78	Page 294
DIFFERENTIAL (Figure 162) FIRST USED ON TRANSMISSION S/N T80M-1501, T81M-1501,T83M-1501	Page 296
DISTRIBUTOR (Figure 139) GASOLINE & LPG 2.0L	Page 258
DISTRIBUTOR (Figure 140) GASOLINE & LPG 3.0L	Page 259
DRIVE & REAR LIGHT (Figure 237)	Page 451
DRIVE AXLE (Figure 167)	Page 304
DUAL FUEL (Figure 71) 3.0L	Page 118

TABLE OF CONTENTS

DESCRIPTION	PAGE NO.
E	
ELECTRICAL CONNECTORS (Figure 156) LESS TERMINALS	Page 284
ELECTRICAL (Figure 112) GASOLINE & LPG 2.2L	Page 196
ELECTRICAL (Figure 113) GASOLINE & LPG 3.0L LAST USED ON S/N D177B-35854	Page 200
ELECTRICAL (Figure 114) GM 3.0L GASOLINE FIRST USED ON S/N D177B-35855	Page 204
ELECTRICAL (Figure 115) GM 3.0L LPG FIRST USED ON S/N D177B-35855	Page 206
ELECTRICAL (Figure 116) GASOLINE & LPG 2.0L	Page 210
ELECTRICAL (Figure 117) DIESEL	Page 212
ELECTRICAL (Figure 136) LPG FIELD CONVERSION 2.2L	Page 250
ELECTRICAL (Figure 137) TYPES GS,LPS & DS	Page 252
ELECTRICAL (Figure 138) TYPES GS & LPS 3.0L	Page 256
ELECTRICAL (Figure 17) GASOLINE & LPG 2.0L	Page 31

TABLE OF CONTENTS

<u>DESCRIPTION</u>	<u>PAGE NO.</u>
E (Continued)	
ELECTRICAL (Figure 30) GASOLINE & LPG 3.0L	Page 50
ELECTRICAL-COWL (Figure 103) LAST USED ON S/N D177B-35854	Page 180
ELECTRICAL-COWL (Figure 104) FIRST USED ON S/N D177B-35855	Page 182
EMISSION CONTROL (Figure 38) DIESEL	Page 64
ENGINE HARNESS (Figure 124) GASOLINE 2.2L	Page 226
ENGINE HARNESS (Figure 126) GASOLINE 3.0L LAST USED ON S/N D177B-35854	Page 230
ENGINE HARNESS (Figure 127) GASOLINE 3.0L FIRST USED ON S/N D177B-35855	Page 232
ENGINE HARNESS (Figure 128) LPG 2.2L	Page 234
ENGINE HARNESS (Figure 131) LPG 3.0L WITHOUT MSTs FIRST USED ON S/N D177B-39472	Page 240
ENGINE HARNESS (Figure 132) LPG 3.0L WITH MSTs FIRST USED ON S/N D177B-39472	Page 242

TABLE OF CONTENTS

<u>DESCRIPTION</u>	<u>PAGE NO.</u>
E (Continued)	
ENGINE HARNESS-LPS (Figure 134) LPG 2.2L	Page 246
ENGINE MOUNT (Figure 33) DIESEL	Page 56
ENGINE MOUNT (Figure 5) GASOLINE & LPG 2.0L & 2.2L	Page 18
ENGINE MOUNT (Figure 6) GASOLINE & LPG 3.0L	Page 19
EXHAUST (Figure 34) DIESEL 2.4L	Page 57
EXHAUST (Figure 35) DIESEL 2.8L & 3.1L	Page 58
EXHAUST (Figure 7) GASOLINE & LPG	Page 20
EXHAUST (Figure 8) OVERHEAD	Page 21
F	
FENDERS (Figure 230)	Page 438
FILTER & LOCK-OFF VALVE (Figure 94) LPG	Page 162
FIRE EXTINGUISHER (Figure 251)	Page 470

TABLE OF CONTENTS

<u>DESCRIPTION</u>	<u>PAGE NO.</u>
F (Continued)	
FLOW VALVE (Figure 182) LAST USED ON S/N D177B-15601	Page 334
FLOW VALVE (Figure 183) FIRST USED ON S/N D177B-15602	Page 335
FLYWHEEL (Figure 20) GASOLINE & LPG	Page 34
FLYWHEEL (Figure 48) DIESEL 2.4L, 2.8L & 3.1L	Page 78
FORKS (Figure 200) TWO STAGE LFL	Page 366
FORKS (Figure 213) THREE STAGE FFL	Page 400
FORKS (Figure 228) TWO STAGE FFL	Page 432
FRAME & FLOORPLATES (Figure 1)	Page 2
FREE LIFT (Figure 205) THREE STAGE FFL	Page 378
FREE LIFT (Figure 217) TWO STAGE FFL	Page 410
FREE LIFT TWO STAGE FFL (Figure 217 Continued)	Page 412

TABLE OF CONTENTS

DESCRIPTION	PAGE NO.
F (Continued)	
FREE-LIFT CYLINDER (Figure 207) THREE STAGE FFL	Page 384
FREE-LIFT CYLINDER (Figure 220) TWO STAGE FFL	Page 416
FUEL & ELECTRICAL (Figure 25) GASOLINE & LPG 2.2L	Page 42
FUEL (Figure 18) GASOLINE & LPG 2.0L	Page 32
FUEL (Figure 69) LPG 3.0L LAST USED ON S/N D177B-39471	Page 114
FUEL (Figure 70) LPG 3.0L FIRST USED ON S/N D177B-39472	Page 116
FUEL (Figure 74) LPG FIELD CONVERSION 2.2L	Page 124
FUEL (Figure 75) LPG 2.0L	Page 126
FUEL (Figure 76) GASOLINE 2.0L	Page 128
FUEL (Figure 77) GASOLINE 2.2L	Page 130
FUEL (Figure 78) GASOLINE 3.0L	Page 132

TABLE OF CONTENTS

<u>DESCRIPTION</u>	<u>PAGE NO.</u>
F (Continued)	
FUEL (Figure 79) DIESEL 2.4L	Page 134
FUEL (Figure 80) DIESEL 3.1L	Page 136
FUEL INJECTION (Figure 91) DIESEL 2.4L	Page 156
FUEL INJECTION (Figure 92) DIESEL 2.8L LAST USED ON S/N D177B-8291	Page 158
FUEL INJECTION (Figure 93) DIESEL 3.1L FIRST USED ON S/N D177B-8292	Page 160
FUEL SYSTEM (Figure 68) LPG 2.2L	Page 112
G	
GOVERNOR (Figure 72) LPG 3.0L LAST USED ON S/N D177B-39471	Page 120
GOVERNOR (Figure 81) GASOLINE & LPG 2.0L	Page 138
H	
HARNES AND SWITCH (Figure 133) DUAL FUEL 3.0L	Page 244
HARNES (Figure 105) COWL LAST USED ON S/N D177B-35854	Page 184

TABLE OF CONTENTS

DESCRIPTION	PAGE NO.
H (Continued)	
HARNESS (Figure 106) COWL FIRST USED ON S/N D177B-35855	Page 186
HARNESS (Figure 107) CLUSTER LAST USED ON S/N D177B-35854	Page 188
HARNESS (Figure 108) CLUSTER FIRST USED ON S/N D177B-35855	Page 189
HARNESS (Figure 109) CLUSTER POWER	Page 190
HARNESS (Figure 110) LIGHTING LAST USED ON S/N D177B-35854	Page 192
HARNESS (Figure 111) FORWARD/REVERSE LEVER	Page 195
HARNESS (Figure 118) DIESEL LAST USED ON S/N D177B-35854	Page 214
HARNESS (Figure 119) DIESEL FIRST USED ON S/N D177B-35855	Page 216
HARNESS (Figure 120) CHASSIS LAST USED ON S/N D177B-35854	Page 218
HARNESS (Figure 121) CHASSIS FIRST USED ON S/N D177B-35855	Page 220

TABLE OF CONTENTS

<u>DESCRIPTION</u>	<u>PAGE NO.</u>
H (Continued)	
HARNESS (Figure 122) GASOLINE & LPG 2.0L LAST USED ON S/N D177B-35854	Page 222
HARNESS (Figure 123) GASOLINE & LPG 2.0L FIRST USED ON S/N D177B-35855	Page 224
HARNESS (Figure 135) LPG FIELD CONVERSION 2.2L	Page 248
HARNESS (Figure 246) WIPER	Page 465
HARNESS (Figure 247) CAB (REAR)	Page 466
HARNESS (Figure 248) CAB (COWL)	Page 467
HARNESS (Figure 256) POWERTRAIN PROTECTION	Page 478
HARNESS ROUTING (Figure 242) CAB	Page 459
HARNESS-REAR (Figure 249) CHASSIS	Page 468
HEADER HOSE (Figure 199) TWO STAGE LFL	Page 364
HEADER HOSE (Figure 212) THREE STAGE FFL	Page 396

TABLE OF CONTENTS

DESCRIPTION **PAGE NO.**

H (Continued)

HEADER HOSE (Figure 227)
TWO STAGE FFL Page 428

HEATER (Figure 244)
CAB Page 462

HOOD (Figure 2) Page 4

HYDRAULIC (Figure 177) Page 324

HYDRAULIC PUMP (Figure 178)
SINGLE GEAR Page 326

HYDRAULIC PUMP (Figure 179)
SINGLE GEAR Page 328

HYDRAULIC PUMP (Figure 180)
DOUBLE GEAR Page 330

HYDRAULIC PUMP (Figure 181)
DOUBLE GEAR Page 332

I

INJECTION PUMP (Figure 87)
DIESEL 2.4L, 2.8L & 3.1L Page 149

INNER MAST (Figure 190)
TWO STAGE LFL Page 350

INNER MAST (Figure 203)
THREE STAGE FFL Page 374

TABLE OF CONTENTS

<u>DESCRIPTION</u>	<u>PAGE NO.</u>
I (Continued)	
INNER MAST (Figure 215) TWO STAGE FFL	Page 406
INSTRUMENT CLUSTER (Figure 153)	Page 280
INSTRUMENT PANEL (Figure 152)	Page 278
INTERMEDIATE MAST (Figure 202) THREE STAGE FFL	Page 372
L	
LABELS	Page 10
LIFT EYE (Figure 229)	Page 437
LIFT (Figure 191) TWO STAGE LFL	Page 352
LIGHTS (Figure 155)	Page 283
LOAD BACKREST EXTENSION (Figure 196) TWO STAGE LFL	Page 360
LOAD BACKREST EXTENSION (Figure 210) THREE STAGE FFL	Page 393
LOAD BACKREST EXTENSION (Figure 224) TWO STAGE FFL	Page 425
LOAD BACKREST EXTENSION (Figure 233) 48 INCH (1220 mm)	Page 443

TABLE OF CONTENTS

DESCRIPTION **PAGE NO.**

L (Continued)

LPG CONVERTER (Figure 95)
LAST USED ON S/N D177B-10965 Page 163

LPG CONVERTER (Figure 96)
FIRST ON S/N D177B-10966 Page 164

LPG MIXER (Figure 73)
DUAL FUEL 3.0L Page 122

LPG TANK (Figure 67) Page 110

LUBRICATION SYSTEM (Figure 66)
DIESEL 3.1L
FIRST USED ON S/N D177B-8292 Page 106

M

MAIN CYLINDER (Figure 206)
THREE STAGE FFL Page 382

MAIN CYLINDER (Figure 218)
TWO STAGE FFL
LEFT HAND Page 414

MAIN CYLINDER (Figure 219)
TWO STAGE FFL
RIGHT HAND Page 415

MAIN LIFT (Figure 204)
THREE STAGE FFL Page 376

MAIN LIFT (Figure 216)
TWO STAGE FFL Page 408

TABLE OF CONTENTS

<u>DESCRIPTION</u>	<u>PAGE NO.</u>
M (Continued)	
MANIFOLD (Figure 15) GASOLINE & LPG 2.0L	Page 29
MANIFOLD (Figure 24) GASOLINE & LPG 2.2L	Page 41
MANIFOLD (Figure 44) DIESEL 2.4L	Page 73
MANIFOLD (Figure 55) DIESEL 2.8L LAST USED ON S/N D177B-8291	Page 90
MANIFOLDS (Figure 65) DIESEL 3.1L FIRST USED ON S/N D177B-8292	Page 105
MAST INSTALLATION (Figure 197) TWO STAGE LFL	Page 361
MAST INSTALLATION (Figure 198) TWO STAGE LFL	Page 362
MAST INSTALLATION (Figure 211) THREE STAGE FFL	Page 394
MAST INSTALLATION (Figure 225) TWO STAGE FFL	Page 426
MAST INSTALLATION (Figure 226) TWO STAGE FFL	Page 427
MASTER CYLINDER (Figure 176)	Page 322

TABLE OF CONTENTS

<u>DESCRIPTION</u>	<u>PAGE NO.</u>
M (Continued)	
MIRROR (Figure 250)	Page 469
MONOTROL PEDAL (Figure 102)	Page 173
O	
OIL FILTER (Figure 46) DIESEL 2.4L	Page 76
OIL FILTER (Figure 57) DIESEL 2.8L & 3.1L	Page 94
OIL PUMP & FILTER (Figure 16) GASOLINE & LPG 2.0L	Page 30
OIL PUMP (Figure 26) GASOLINE & LPG 2.2L	Page 43
OIL PUMP (Figure 47) DIESEL 2.4L	Page 77
OIL PUMP (Figure 58) DIESEL 2.8L & 3.1L	Page 95
OUTER MAST (Figure 189) TWO STAGE LFL	Page 348
OUTER MAST (Figure 201) THREE STAGE FFL	Page 370
OUTER MAST (Figure 214) TWO STAGE FFL	Page 404

TABLE OF CONTENTS

<u>DESCRIPTION</u>	<u>PAGE NO.</u>
P	
PARK BRAKE (Figure 175)	Page 321
PEDAL LINKAGE (Figure 101)	Page 172
POWERTRAIN PROTECTION SYSTEM (Figure 255)	Page 476
PUMP DRIVE (Figure 164) LAST USED ON TRANSMISSION S/N T80M-1644	Page 300
PUMP DRIVE (Figure 165) FIRST USED ON S/N T80M-1645	Page 301
R	
RADIATOR & HOSES (Figure 36) DIESEL	Page 60
RADIATOR & HOSES (Figure 9) GASOLINE & LPG	Page 22
S	
SEAT (Figure 4)	Page 8
SHIFT LEVER (Figure 154)	Page 282
SIDESHIFT CARRIAGE (Figure 231)	Page 440
SIDESHIFT CYLINDER (Figure 232)	Page 442
STARTER (Figure 149) GASOLINE & LPG 2.0L	Page 274

TABLE OF CONTENTS

<u>DESCRIPTION</u>	<u>PAGE NO.</u>
S (Continued)	
STARTER (Figure 150) DIESEL 2.4L, 2.8L & 3.1L	Page 275
STARTER (Figure 151) GASOLINE & LPG 2.2L & 3.0L	Page 276
STEERING AXLE (Figure 169)	Page 310
STEERING CONTROL UNIT (Figure 170)	Page 312
STEERING CYLINDER (Figure 171)	Page 313
STEERING POD (Figure 168)	Page 308
STROBE LIGHT (Figure 236)	Page 450
T	
THROTTLE BODY INJECTION (Figure 84) GASOLINE 2.2L	Page 142
THROTTLE LINKAGE (Figure 100) GASOLINE & LPG 2.0L	Page 171
THROTTLE LINKAGE (Figure 97) DIESEL	Page 165
THROTTLE LINKAGE (Figure 98) GASOLINE & LPG 2.2L	Page 167
THROTTLE LINKAGE (Figure 99) GASOLINE & LPG 3.0L	Page 169

TABLE OF CONTENTS

<u>DESCRIPTION</u>	<u>PAGE NO.</u>
T (Continued)	
TILT CYLINDER (Figure 184) GROUP NUMBER 8601501	Page 337
TIMING GEAR COVER & OIL PAN (Figure 14) GASOLINE & LPG 2.0L	Page 28
TIMING GEAR (Figure 43) DIESEL 2.4L	Page 72
TIMING GEAR (Figure 54) DIESEL 2.8L LAST USED ON S/N D177B-8291	Page 89
TIMING GEAR (Figure 64) DIESEL 3.1L FIRST USED ON S/N D177B-8292	Page 104
TIRE & WHEEL (Figure 234) DRIVE WHEEL	Page 444
TIRE & WHEEL (Figure 235) STEER WHEEL	Page 448
TRANSMISSION COOLING (Figure 166)	Page 303
TRANSMISSION (Figure 157) LAST USED ON TRANSMISSION S/N T51,T52,T53,T78	Page 286
TRANSMISSION (Figure 158) FIRST USED ON TRANSMISSION S/N T80M-1501, T81M-1501,T83M-1501	Page 288
TYPE GS HARNESS (Figure 125) GASOLINE 2.2L	Page 228

TABLE OF CONTENTS

DESCRIPTION **PAGE NO.**

V

VALVE ATTACHING PARTS (Figure 185)
PUSH AWAY LEVERS Page 338

VALVE ATTACHING PARTS (Figure 186)
DIRECT ACTING LEVERS Page 340

VALVE (Figure 188)
FOUR FUNCTION Page 344

W

WATER PUMP (Figure 45)
DIESEL 2.4L Page 74

WATER PUMP (Figure 56)
DIESEL 2.8L & 3.1L Page 92

WINDOWS (Figure 241)
CAB Page 458

Please Click Here To Download The Complete Manual
Download Other Manuals
If Having Any Questions Feel Free To Contact us

admin@servicemanualbit.com