

PARTS MANUAL

CHALLENGER

**H100XM, H110XM, H120XM,
H70XM, H80XM, H90XM
(K005)**

CUSTOMER EDITION

HYSTER

SECTIONS

1	FRAME
2	ENGINE ASSEMBLY
3	FUEL SYSTEM
4	ELECTRICAL SYSTEM
5	TRANSMISSION
6	DRIVE AXLE
7	STEERING SYSTEM
8	BRAKE SYSTEM
9	HYDRAULIC SYSTEM
10	MAST-TWO STAGE LIMITED FREE-LIFT
11	MAST-TWO STAGE FULL FREE-LIFT
12	MAST-THREE STAGE FULL FREE-LIFT
13	OPTIONS
14	NUMERICAL INDEX

This Parts Manual is divided into 14 major sections which are listed above. Quick reference to these sections can be made by placing the right thumb on the tab of the desired section, bending the book back and thumbing the pages to the corresponding tab.

TABLE OF CONTENTS

DESCRIPTION	PAGE
A	
ACCUMULATOR	13-22
AIR FILTER.....	3-56
AIR FILTER SYSTEM.....	3-54
ALTERNATOR	
GAS/LPG AND DIESEL.....	4-26
PRESTOLITE BRAND	
GS, LPS, DS	4-28
ALTERNATOR MOUNTING	
DIESEL	
D/B 07/2001⇒.....	2-52
⇒D/B 07/2001.....	2-50
AMBER STROBE REVERSE LIGHTS	
WITHOUT CAB.....	13-28
AUDIBLE ALARM.....	13-54
AUXILIARY TUBE EXTENSION KIT	
TWO AND THREE STAGE FULL FREE-LIFT	13-20
TWO STAGE LIMITED FREE-LIFT.....	13-18
B	
BACKUP AND BRAKE LIGHTS	4-36
BAFFLE AND ATTACHING PARTS	2-6
BRAKE ASSEMBLY	
H100-120XM.....	8-10
H70-90XM.....	8-6
BRAKE LINKAGE.....	8-2
C	
CAB.....	13-57
CAB ATTACHING PARTS.....	13-32
SHEET 1 OF 3.....	13-58
SHEET 2 OF 3.....	13-60
SHEET 3 OF 3.....	13-62
CAMSHAFT AND OIL PAN	
GASOLINE AND LPG.....	2-32
CARBURETOR (LPG)	
WITH LOW EMISSIONS.....	3-31
CARRIAGE	
THREE STAGE FULL FREE-LIFT	12-32
TWO STAGE FULL FREE-LIFT	11-18
TWO STAGE LIMITED FREE-LIFT.....	10-20
CONTROL VALVE	
(1 OF 2)	
S/N PENDING PER ECN 63639⇒	9-16
(2 OF 2)	
S/N PENDING PER ECN 63639⇒	9-20
⇒S/N PENDING PER ECN 63639	9-14
TRANSMISSION.....	5-20
CONTROL VALVE AND ATTACHING PARTS	
FOUR FUNCTION WITH DETENTED LEVERS	9-12
THREE FUNCTION	9-10

TABLE OF CONTENTS (Continued)

DESCRIPTION	PAGE
C (continued)	
COOLANT PUMP	
DIESEL	
D/B 09/2001⇒.....	2-80
⇒D/B 09/2001.....	2-78
COOLING.....	2-4
COUNTERWEIGHT.....	1-24
CRANKSHAFT AND PISTON	
DIESEL	
D/B 07/2001⇒.....	2-60
⇒D/B 07/2001.....	2-58
CYLINDER BLOCK	
DIESEL	
D/B 07/2001⇒.....	2-56
⇒D/B 07/2001.....	2-54
GASOLINE AND LPG.....	2-28
CYLINDER HEAD	
DIESEL.....	2-68
GASOLINE AND LPG.....	2-36
D	
DIFFERENTIAL ASSEMBLY.....	6-2
DIRECTIONAL CLUTCH.....	5-18
DISTRIBUTOR.....	4-30
DOOR ASSEMBLY	
LEFT HAND.....	13-68
RIGHT HAND.....	13-66
DRIVE AXLE.....	6-4
DUAL FUEL SYSTEM	
⇒S/N K005D-5482.....	3-32
S/N K005D-5483⇒.....	3-36
DUAL MIRROR	
WITHOUT CAB.....	13-30
E	
ELECTRICAL SYSTEM	
ALTERNATOR AND BATTERY	
G, GS, LPG, LPS, AND DUAL FUEL.....	4-8
COWL.....	4-4
DIESEL.....	4-22
GASOLINE, GASOLINE SAFETY, AND DUAL FUEL.....	4-12
LPG AND LPS.....	4-18
ENGINE AND ATTACHING PARTS	
DIESEL.....	2-48
GASOLINE AND LPG.....	2-24
ENGINE MOUNT	
DIESEL.....	2-46
GASOLINE AND LPG.....	2-22
EXHAUST	
3-WAY CATALYTIC CONVERTER	

TABLE OF CONTENTS (Continued)

DESCRIPTION	PAGE
E (continued)	
LPG WITH LOW EMISSIONS	
S/N PENDING PER ECN 73989⇒	2-18
⇒S/N PENDING PER ECN 73989	2-16
DIESEL	2-20
GASOLINE AND LPG	
WITHOUT LOW EMISSIONS	
S/N PENDING PER ECN 73989⇒	2-14
⇒S/N PENDING PER ECN 73989	2-12
EXHAUST MANIFOLD	
GASOLINE AND LPG	
S/N PENDING PER ECN 73989⇒	2-42
⇒S/N PENDING PER ECN 73989	2-40
F	
FAN DRIVE ASSEMBLY	2-8
FENDER EXTENSIONS	13-10
FLOOR PLATES AND COVERS	1-22
FORK	
POLISHED FORK WITH FULL BOTTOM TAPER HOOK TYPE	
THREE STAGE FULL FREE-LIFT	12-40
TWO STAGE FULL FREE-LIFT	11-26
TWO STAGE LIMITED FREE-LIFT	10-26
STANDARD TAPER HOOK TYPE (H100-120XM)	
THREE STAGE FULL FREE-LIFT	12-39
TWO STAGE FULL FREE-LIFT	11-25
TWO STAGE LIMITED FREE-LIFT	10-25
STANDARD TAPER HOOK TYPE (H70-90XM)	
THREE STAGE FULL FREE-LIFT	12-38
TWO STAGE FULL FREE-LIFT	11-24
TWO STAGE LIMITED FREE-LIFT	10-24
FREE-LIFT	
THREE STAGE FULL FREE-LIFT	12-16
FREE-LIFT CYLINDER	
THREE STAGE FULL FREE-LIFT	12-24
TWO STAGE FULL FREE-LIFT	11-14
FRONT HEAD LIGHTS	
WITHOUT CAB	13-24
FUEL FILTER	
LOW PRESSURE SYSTEM	
DIESEL	3-8
FUEL SYSTEM	
DIESEL	3-2
GASOLINE	3-16
LPG	
CLOSED LOOP	3-28
OPEN LOOP	
⇒S/N K005D-5482	3-20
S/N K005D-5483⇒	3-24
FULL SUSPENSION SEAT	

TABLE OF CONTENTS (Continued)

DESCRIPTION	PAGE
F (continued)	
SHEET 1 OF 2	1-6
SHEET 2 OF 2	1-8
G	
GENERAL TRUCK	1-2
GOVERNOR	
LPG.....	3-49
H	
HARNES KIT	
DUAL FUEL	4-15
HEADER HOSE	
THREE STAGE FULL FREE-LIFT	12-28
TWO STAGE FULL FREE-LIFT	11-28
TWO STAGE LIMITED FREE-LIFT	
⇒S/N A749L-3337, ⇒S/N A750L-2645	10-14
S/N A749L-3338⇒, S/N A750L-2646⇒	10-16
HEATER INSTALLATION	
DIESEL	13-12
GASOLINE.....	13-14
LPG.....	13-16
HIGH PRESSURE FUEL INJECTION AND PUMP	
DIESEL	3-10
HOOD AND COVERS	1-14
HYDRAULIC CONTROL LINES	
FOUR FUNCTION	9-8
THREE FUNCTION	9-6
HYDRAULIC PUMP	
⇒S/N K005D-02086	9-26
S/N K005D-02087⇒	9-28
HYDRAULIC SYSTEM	9-2
I	
INJECTOR THROTTLE BODY	
GASOLINE.....	3-52
INNER AND FREE LIFT MAST	
TWO STAGE FULL FREE-LIFT	11-6
INNER MAST	
THREE STAGE FULL FREE-LIFT	12-10
TWO STAGE LIMITED FREE-LIFT.....	10-4
INPUT CLUTCH	5-16
INSTRUMENT PANEL.....	4-7
INTERMEDIATE MAST	
THREE STAGE FULL FREE-LIFT	12-6

TABLE OF CONTENTS (Continued)

DESCRIPTION	PAGE
L	
LABELS AND PAINT	1-31
LIFT PUMP	
DIESEL	3-14
LIFTING EYE.....	13-70
LOAD BACKREST EXTENSION	
THREE STAGE FULL FREE-LIFT	12-36
TWO STAGE FULL FREE-LIFT	11-22
TWO STAGE LIMITED FREE-LIFT.....	10-22
LOCK-OFF FILTER	
LPG.....	3-46
LOW PRESSURE SYSTEM	
DIESEL	
⇒D/B 07/2001	3-4
LOW PRESSURE SYSTEM (DIESEL)	
D/B 07/2001⇒	3-6
LPG CONVERTER	
OPEN LOOP	
⇒S/N K005D-5482.....	3-47
S/N K005D-5483⇒.....	3-48
LPG TANK AND BRACKET	
SWING OUT	3-42
LPG TANK BRACKET	
FIXED	3-40
SWING OUT/DROP DOWN.....	3-44
M	
MAIN CYLINDER	
THREE STAGE FULL FREE-LIFT	12-20
TWO STAGE LIMITED FREE-LIFT.....	10-10
MAIN LIFT	
THREE STAGE FULL FREE-LIFT	12-12
TWO STAGE LIMITED FREE-LIFT.....	10-6
MAIN LIFT CYLINDER	
TWO STAGE FULL FREE-LIFT	11-10
MANIFOLD VALVE	5-23
MANIFOLDS	
DIESEL	
D/B 07/2001⇒.....	2-74
⇒D/B 07/2001	2-72
MAST INSTALLATION.....	9-22
MASTER CYLINDER AND BOOSTER ASSEMBLY	8-12
MONOTROL PEDAL	3-64
MONOTROL PEDAL LINKAGE.....	3-62
N	
NON-SUSPENSION SEAT	1-4

TABLE OF CONTENTS (Continued)

DESCRIPTION	PAGE
O	
OIL FILTER	
DIESEL	2-76
OIL PAN AND PUMP	
DIESEL	2-62
OIL PUMP	
GASOLINE AND LPG.....	2-44
OPERATOR MODULE	
⇒S/N K005D-05972	1-10
S/N K005D-05973⇒ EXC. 6018.....	1-12
OUTER MAST	
THREE STAGE FULL FREE-LIFT	12-2
TWO STAGE LIMITED FREE-LIFT.....	10-2
OUTER MAST AND MAIN LIFT	
TWO STAGE FULL FREE-LIFT	11-2
OVERHEAD GUARD.....	1-20
P	
PARK BRAKE.....	8-14
R	
REAR ACCESS SCREEN	
S/N PENDING PER ECN 70712-24⇒.....	1-28
⇒S/N PENDING PER ECN 70712-24.....	1-26
REAR DRIVE LIGHTS	
WITHOUT CAB.....	13-26
ROTARY EXHAUSTER	
DIESEL	2-82
S	
SHIFT LEVER	4-34
SIDE-SHIFT CARRIAGE	
TWO AND THREE STAGE FULL-FREE-LIFT (48 AND 60-INCH)	
H70-90XM	13-38
TWO AND THREE STAGE FULL-FREE-LIFT (54 AND 60-INCH)	
H100XM-H120XM	13-40
TWO STAGE LIMITED FREE-LIFT (48 AND 60-INCH)	
H70XM - H90XM	13-34
TWO STAGE LIMITED FREE-LIFT (54 AND 60-INCH)	
H100XM - H120XM	13-36
SIDE-SHIFT CARRIAGE FRAME	
TWO AND THREE STAGE FULL FREE-LIFT (48-INCH)	
H70XM - H90XM	13-48
TWO AND THREE STAGE FULL FREE-LIFT (54 AND 60-INCH)	
H100XM-H120XM	13-52
TWO AND THREE STAGE FULL FREE-LIFT (60-INCH)	
H70XM - H90XM	13-50
TWO STAGE LIMITED FREE-LIFT (54 AND 60-INCH)	
H100XM - H120 XM	13-46
TWO STAGE LIMITED FREE-LIFT (48-INCH)	
H70XM - H90XM	13-42

TABLE OF CONTENTS (Continued)

DESCRIPTION	PAGE
S (continued)	
TWO STAGE LIMITED FREE-LIFT (60-INCH)	
H70XM - H90XM	13-44
SOUND REDUCTION	1-16
STARTER	
DIESEL	4-32
STEERING AXLE	7-6
STEERING COLUMN	7-4
STEERING CYLINDER	7-10
STEERING PUMP	7-12
STEERING SYSTEM	7-2
T	
THROTTLE BODY GOVERNOR	
GASOLINE AND DUAL FUEL	3-50
THROTTLE LINKAGE	
DIESEL	3-60
GASOLINE AND LPG	3-58
TILT CYLINDER	9-24
TIMING GEAR	
DIESEL	2-66
TIRE AND WHEEL	
DUAL DRIVE WHEEL	13-8
SINGLE DRIVE WHEEL	
H100-120XM	13-6
H70-90XM	13-4
STEER WHEEL	13-9
TORQUE CONVERTER	5-6
TRANSMISSION	
SHEET 1 OF 2	5-8
SHEET 2 OF 2	5-12
TRANSMISSION LINES	5-4
TRANSMISSION MOUNT	5-2
U	
UNDERCARRIAGE PAN	1-18
V	
VALVE	
HIGH AND LOW	5-24
VALVE COVER AND INLET MANIFOLD	
GASOLINE AND LPG	2-38
VALVE COVER AND ROCKER ARM SHAFT	
DIESEL	2-70
W	
WATER SEPARATOR	3-12
WIRE HARNESS	
ADAPTER	
⇒S/N PENDING PER ECN 63634-01	4-93

TABLE OF CONTENTS (Continued)

DESCRIPTION	PAGE
W (continued)	
AUXILIARY LIGHTS	
WORKLIGHTS	13-71
CAB.....	13-64
CLOSED LOOP	
⇒S/N PENDING PER ECN 70700-65	4-79
CONVERSION, GAS TO LPG, GM 4.3L	
SHEET 1 OF 2	4-40
SHEET 2 OF 2	4-42
DIESEL	
S/N PENDING PER ECN 73766⇒	4-82
⇒S/N PENDING PER ECN 73766	4-80
DUAL FUEL SHUT OFF	4-84
DUAL FUEL, GM V6	
SHEET 1 OF 2	
S/N PENDING PER ECN 73766↔S/N PENDING PER ECN 73891-01	4-62
⇒S/N PENDING PER ECN 92210-01.....	4-46
S/N PENDING PER ECN 92210-01↔S/N PENDING PER ECN 73766	4-54
SHEET 2 OF 2	
S/N PENDING PER ECN 73766↔S/N PENDING PER ECN 73891-01	4-67
⇒S/N PENDING PER ECN 92210-01.....	4-51
S/N PENDING PER ECN 92210-01↔S/N PENDING PER ECN 73766	4-58
ENGINE, GAS, GM V6	
SHEET 1 OF 2	
S/N PENDING PER ECN 92210-01↔S/N PENDING PER ECN 73766	4-94
SHEET 2 OF 2	
S/N PENDING PER ECN 92210-01↔S/N PENDING PER ECN 73766	4-99
ENGINE, GM V6, 4.3L	
SHEET 1 OF 2	
⇒S/N PENDING PER ECN 92210-01.....	4-72
SHEET 2 OF 2	
⇒S/N PENDING PER ECN 92210-01.....	4-74
ENGINE, LPG, GM V6, 4.3L	
SHEET 1 OF 2	
S/N PENDING PER ECN 73766⇒.....	4-114
S/N PENDING PER ECN 92110-01↔S/N PENDING PER ECN 73766	4-108
SHEET 2 OF 2	
S/N PENDING PER ECN 73766⇒.....	4-116
S/N PENDING PER ECN 92110-01↔S/N PENDING PER ECN 73766	4-110
ESOS ADAPTER	
⇒S/N PENDING PER ECN 63634-01	4-85
GAS ENGINE	
⇒S/N PENDING PER ECN 92210-01	4-38
GAS, GM V6	
SHEET 1 OF 2	
S/N PENDING PER ECN 73766↔S/N PENDING PER ECN 73891-01	4-102
SHEET 2 OF 2	
S/N PENDING PER ECN 73766↔S/N PENDING PER ECN 73891-01	4-104
LPG SWITCH.....	4-77
MODULE, TYPE S POWERSHIFT	
SHEET 1 OF 2	

TABLE OF CONTENTS (Continued)

DESCRIPTION	PAGE
W (continued)	
S/N PENDING PER ECN 63571↔S/N PENDING PER ECN 73675-01	4-120
POWERSHIFT	
SHEET 1 OF 2	
⇒S/N PENDING PER ECN 63571	4-86
SHEET 2 OF 2	
⇒S/N PENDING PER ECN 63571	4-90
REVERSE ALARM	13-56
TYPE "S" GAS AND LPG	
⇒S/N PENDING PER ECN 73766	4-45
TYPE S	
GAS AND LPG	
S/N PENDING PER ECN 73766⇒	4-78

ABBREVIATIONS QUICK REFERENCE SHEET

Listed below are abbreviations used in parts manuals to denote the following expressions:

TERM	DEFINITION	TERM	DEFINITION
Amp	Amperes	FRE	Freezer Environment
AR	As Required	in.	inches
BDI	Battery Discharge Indicators	LPG	Liquefied Petroleum Gas
BWI	Brush Wear Indicator	MAP	Manifold Absolute Pressure
CE	Communicator End	mm	millimeters
CRE	Corrosive Environment	MSTS	Microprocessor Spark Timing System
D/B	Date Break	NPT	National Pipe Threads
dbA	Decibel "A" Scale	O/S	Oversize
DE	Drive End	PTO	Power Take Off
ECH	Empty Container Handler	RPM	Revolutions per Minute
ECH-3	Empty Container Handler - 3 High Stacking	S/N	Serial Number
ECH-4	Empty Container Handler - 4 High Stacking	TMM	Truck Management Module
ECH-5	Empty Container Handler - 5 High Stacking	UL Type D	Diesel-Powered Safety Rating
ECH-6	Empty Container Handler - 6 High Stacking	UL Type DS	Diesel-Powered Safety Rating
ECH-7	Empty Container Handler - 7 High Stacking	UL Type E	Battery-Powered Safety Rating
ECM	Electronic Control Module	UL Type EE	Battery-Powered Safety Rating
ECN	Engineering Change Notice	UL Type ES	Battery-Powered Safety Rating
EEPROM	Electrically Erasable Programmable Read Only Memory	UL Type G	Gasoline-Powered Safety Rating
EPROM	Electrically Programmable Read Only Memory	UL Type GS	Gasoline-Powered Safety Rating
		UL Type LP	Gas-Powered Safety Rating
		UL Type LPS	LP Gas-Powered Safety Rating
		U/S	Undersize
		UL	Underwriters Laboratory
		V	Volts

HOW TO USE THE ILLUSTRATED PARTS MANUAL

This parts manual describes and illustrates assemblies, subassemblies, and detail parts needed for service replacement.

The different constructions are indicated by keys and footnotes. The callouts correspond to descriptions found on the next page.

HYSTER UNIT CODE D001 NORTH AMERICA 06/2001

TABLE OF CONTENTS

DESCRIPTION	PAGE
AIR INTAKE AND FILTER DIESEL (⇒ D/B 11/96).....	3-22
AIR INTAKE AND FILTER DIESEL (D/B 11/96 ⇒).....	
AIR INTAKE AND FILTER GASOLINE AND LPG.....	
ALTERNATOR GASOLINE, LPG, AND DIESEL -	
ALTERNATOR TYPES GS, LPS, AND DS.....	
AUXILIARY FUNCTION TUBE TWO AND THREE STAGE FULL F.....	

SECTION 13 NUMERICAL INDEX

PART NO.	ITEM PAGE NO.	PART NO.	ITEM PAGE NO.	PART NO.	ITEM PAGE NO.	PART NO.	ITEM PAGE NO.
142	3-4 19	10-13	25	11-27	29	12-31	12
12445	3-32 19	10-17	6	11-31	25	16719	3-35 5
	3-34 1	10-27	11	11-32	37	16751	3-16 27
		11-11	6	8-4	28	16849	3-34 21
		12-21	11	8-8	34	16853	3-36 20
		4	13	9-7	9	16885	3-6 17
		12	5	9-7	19	16882	4-27 41
		3	17	9-11	9		9-7 30
		9	10	9-11	17		9-11 27
		23	46	10-9	21		10-10 36
		27	46	10-9	28		10-13 32
		26	14	10-13	16		11-7 24
		28	14	11-7	19		11-9 17
		30	14				

SECTIONS

- 1
- 2
- 3
- 4
- 5
- 6
- 7
- 8
- 9
- 10
- 11

FRAME

ELECTRICAL SYSTEM

BRAKE/ACC

MAST-TWO STAGE

MAST-THREE STAGE

MAST-TWO STAGE

TRANSMISSION HOUSING
⇒ S/N D001H-2628

KEY:
A: Diesel
B: Gasoline and LPG

ITEM	PART NO.	DESCRIPTION	QTY	
			A	B
		Transmission	1	1
	2022547	Transmission	1	1
	2023229	Case	2	2
	2021670	Bearing Cap	4	4
1	2023418	Washer	4	4
2	296426	Bolt	1	1
3	293592	Washer	2	2
4	2021380	Coil	2	2
5	1371656	Coil Pin	4	4
6	2021329	O-Ring	1	1
7	2021915	Plug	4	4
8	2021675	Housing	22	22
9	2021336	Pin	39	39
10	287860	Bolt	1	1
11	292682	Lockwasher		
12		Hydraulic Pump	1	1
13		Figure 5-3	8	8
14	2021345	Gasket	1	1
15	214364	Bolt	8	8
16	296418	Washer	1	1
17	2021388	Temperature Switch	1	1
18	2021389	Breather	9	9
19	2021383	Dipstick	9	9
20	292515	Bolt	2	2
21	136692	Nut	3	3
22	292527	Bolt	3	2
23	292531	Lockwasher	4	4
24	292683	Lockwasher	4	4
25	293637	Bolt	1	1
26	296420	Washer	1	1
	996403	Transmission Kit (Includes Item 7)		
	996405	Transmission Kit (Includes Item 14)		

This Parts Manual is divided into 11 major sections which are listed above. Quick reference can be made by placing the right thumb on the tab of the desired section, bending the pages to the corresponding tab.

See Service Manual for service procedures

© Copy Right Date HYSTER COMPANY

5-15

HOW TO FIND THE DESIRED PART NUMBER

WHEN THE PART NUMBER AND THE NEXT HIGHER ASSEMBLY IS NOT KNOWN:

1. Determine the function and application of the part required. Turn to the Sections Page. Choose the general area of reference most likely to include the part.
2. Turn to the section you chose. Use the Section Table of Contents to determine the assembly which would normally contain the part required. Then locate the part on the assembly breakdown page.

WHEN THE PART NUMBER IS NOT KNOWN AND THE NEXT HIGHER ASSEMBLY IS KNOWN:

3. Determine the assembly the required part is used on. Turn to the Table of Contents on Page i.
4. Locate the assembly the required part is used on and turn to the page indicated for that assembly. Then locate the part on the assembly breakdown page.

WHEN THE PART NUMBER IS KNOWN:

5. Use the Numerical Index on Page 14-1 to find the part number. Turn to the page listed and locate the part as indicated by the item number.

GENERAL:

The assembly breakdowns include part numbers, descriptions, quantities required, keys and footnotes to help in selecting correct parts.

6. Five periods in the PART NO. column (.) indicate that the part is either *Not Serviced Separately* or there is a reference to another figure. A figure reference is denoted by a pointing hand followed by a figure number in the DESCRIPTION column (☞ Figure 10)
7. Keys are used to show two or more similar assemblies, RH and LH assembly parts, etc. Select the appropriate key, "A", "B", "C", "D", or "E" and the corresponding quantity column to find the required parts. Two periods in the QTY column (..) indicate that the part is not used for that assembly.
8. Indented descriptions under the DESCRIPTION column are used to indicate assemblies and subparts of assemblies. In the example on the

previous page, *BEARING CAP* (Item 2) is a subpart of the major assembly *CASE*.

9. Quantities shown are for one assembly. The quantities of the subpart *BEARING CAP* are indicated as two and two. This means two per *CASE* assembly.
10. Serial number breaks identify the most current parts information and are shown as follows:
 - ⇒ **S/N D001H-2628**
Indicates last serial number affected.
 - S/N D001H-2629** ⇒
Indicates the first serial number affected.
 - S/N D001H-1553** ⇔ **S/N D001H-3291**
Indicates a range of serial numbers affected.

ECN numbers for pending serial numbers are shown to allow for the inclusion of the most current parts information and are identified as follows:

- ⇒ **S/N Pending Per ECN 63243**
Indicates a pending serial number for last unit affected.
- S/N Pending Per ECN 63243** ⇒
Indicates a pending serial number for first unit affected.

Date breaks are used to indicate when a change occurred but a subsequent serial number break was not recorded. This is an arbitrary date usually based on the ECN release and are identified as follows:

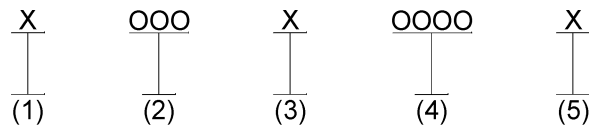
- ⇒ **D/B 3/00**
Indicates that a change occurred sometime within that month for the item affected.
- D/B 3/00** ⇒
Indicates that a change occurred sometime within that month for the item affected.
- D/B 3/00** ⇔ **D/B 4/00**
Indicates a range of production dates of the item affected.

Contact your local dealer for Hyster lift trucks for serial number information for items with a ECN or a date break.

ORDERING PARTS:

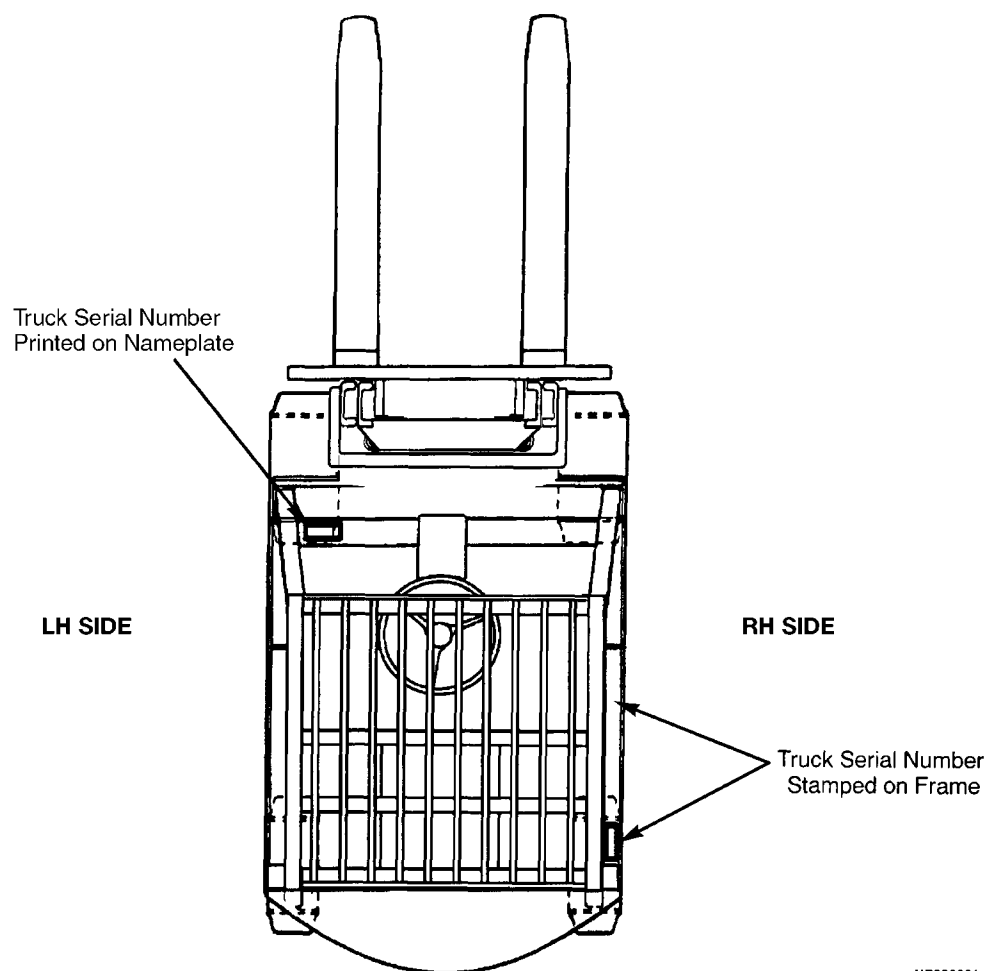
When ordering replacement parts, give the unit serial number, part number, name of part and quantity required.

For any further information on parts, service, or ordering, consult your local dealer for Hyster lift trucks.

IDENTIFICATION OF TRUCK SERIAL NUMBERS

- (1) and (2) The first letter and three numbers indicate the truck unit code.
- (3) The second letter indicates the plant of manufacture.
- (4) The four or five digit number indicates the production sequence number of the truck.
- (5) The final letter indicates the year of manufacture starting with "A" in 1957 and 1980. The letters "I", "O", and "Q" will not be used.

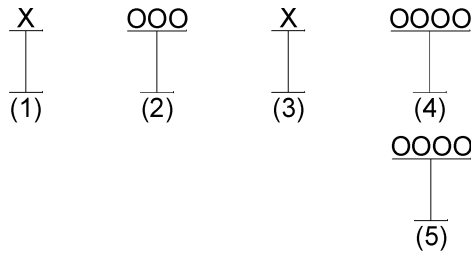
For pending serial numbers contact your local dealer for Hyster lift trucks.



HP990001

Parts referred to in this book as right or left hand parts are in accordance with the illustration above.

IDENTIFICATION OF MAST SERIAL NUMBERS



- (1) and (2) The first letter and number indicates the mast unit code.
- (3) The second letter indicates the plant of manufacture.
- (4) The four or five digit number indicates the production sequence number of the mast.
- (5) Carriage travel in millimeters stamped just below the serial number.

Mast Group identification consists of mast unit code (1) and (2) plus carriage travel (5).

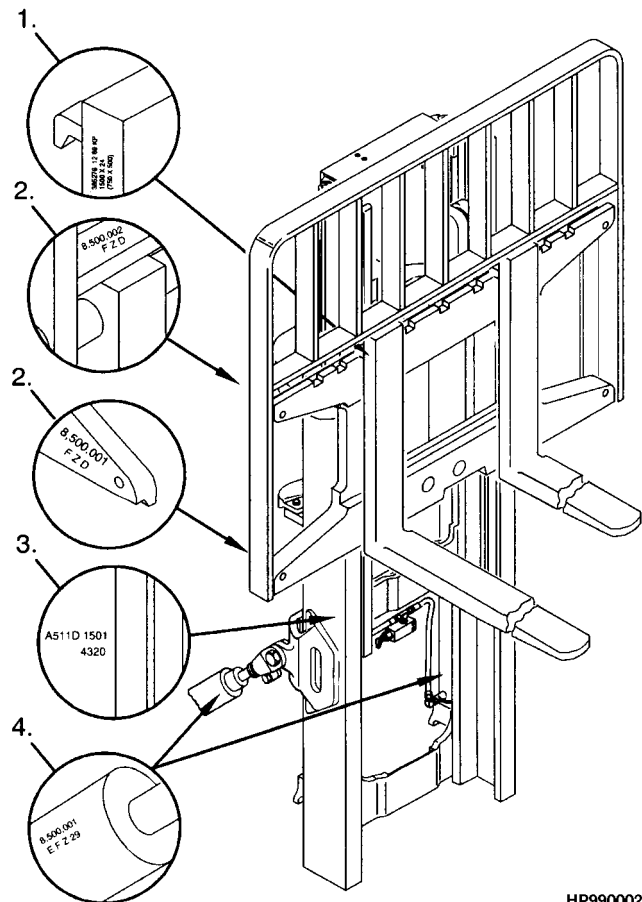
For pending production sequence numbers contact your local dealer for Hyster lift trucks.

LIFT EQUIPMENT IDENTIFICATION

1. Fork part number, capacity rating, plant code letter, and date of manufacture are stamped approximately six inches below the top of most forks.
2. The carriage group number is stamped on the right hand side of the top crossmember (pin type) or on the back of the right hand end of the bottom crossmember (hook type). A date code has two letters in line with or below the carriage group number.
3. The mast identification number has a unit code, a letter indicating the plant of manufacture, and a serial number. Underneath the production sequence number is a four digit number that indicates the carriage travel in millimeters.
4. Tilt and lift cylinder group numbers are stamped on the cylinder shell.

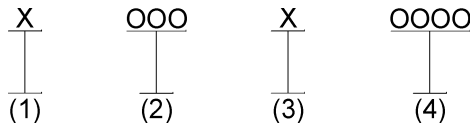
Always refer to the group, serial, or part number when ordering service parts.

Modification of masts and carriages by SPED (Special Products Engineering Department) are identified by a model prefix code beginning with the letter "S". contact your dealer for Hyster lift trucks for information on these assemblies.



HP990002

IDENTIFICATION OF ATTACHMENT AND SIDE-SHIFT CARRIAGE SERIAL NUMBERS

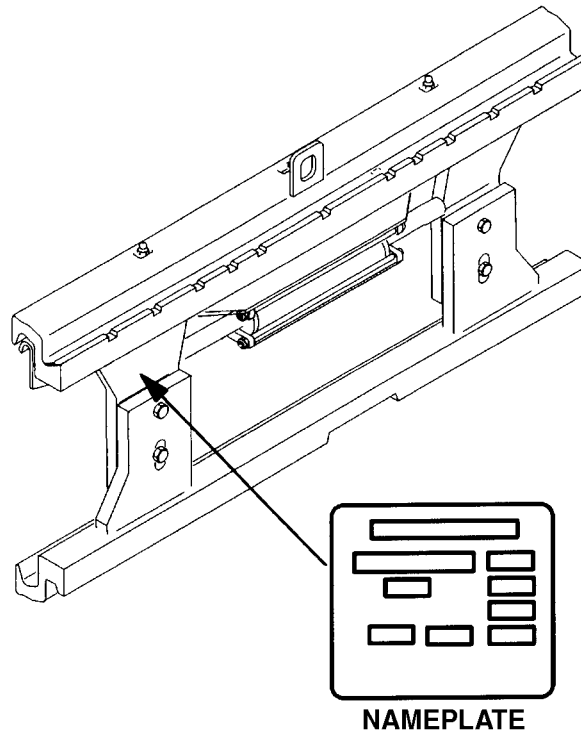


(1) and (2) The first letter and three numbers indicate the attachment unit code.

(3) The second letter indicates the plant of manufacture.

(4) The four or five digit number indicates the production sequence number.

For pending production sequence numbers contact your local dealer for Hyster lift trucks.



HP990003

Side-shift carriages and attachments have nameplates. Use the serial number found on the nameplate to identify the attachment.

Always refer to the group, serial, or part number when ordering service parts.

Modifications of attachments and side-shift carriages by SPED (Special Products Engineering Department) are identified by a model prefix code beginning with the letter "S". Contact your dealer for Hyster lift trucks for information on these assemblies.

PUBLICATIONS

Every new lift truck is provided with an OPERATING MANUAL. This manual has information that the operator must know for inspection and operation of the lift truck.

SERVICE MAINTENANCE MANUALS, which provide service and overhaul procedures, and PARTS MANUALS with complete replacement part identification, are available at a nominal fee from your Hyster dealer to assist users in effectively maintaining Hyster lift trucks in a safe, useful condition. See the list below for information on ordering specific publications for this model lift truck.

PUBLICATION	HYSTER PART NUMBER
Operating Manual	1466306
Service Manual (Complete)	1467766
Parts Manual	1466307

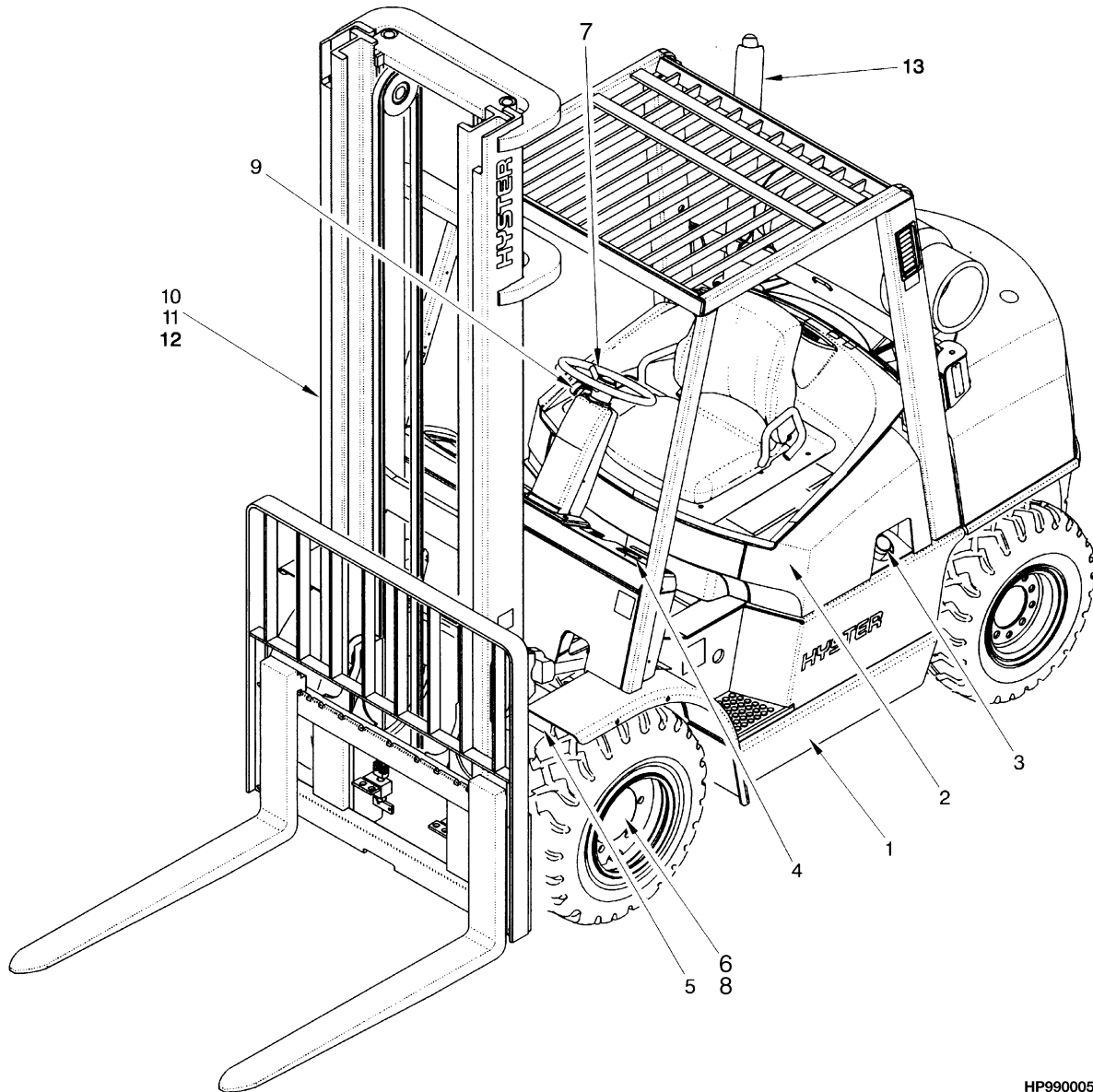
1

FRAME

**SECTION 1
FRAME**

DESCRIPTION	PAGE
COUNTERWEIGHT	1-24
FLOOR PLATES AND COVERS	1-22
FULL SUSPENSION SEAT	
SHEET 1 OF 2	1-6
SHEET 2 OF 2	1-8
GENERAL TRUCK	1-2
HOOD AND COVERS	1-14
LABELS AND PAINT	1-31
NON-SUSPENSION SEAT	1-4
OPERATOR MODULE	
⇒S/N K005D-05972	1-10
S/N K005D-05973⇒ EXC. 6018	1-12
OVERHEAD GUARD	1-20
REAR ACCESS SCREEN	
S/N PENDING PER ECN 70712-24⇒	1-28
⇒S/N PENDING PER ECN 70712-24	1-26
SOUND REDUCTION	1-16
UNDERCARRIAGE PAN	1-18

GENERAL TRUCK (Figure 1-1)

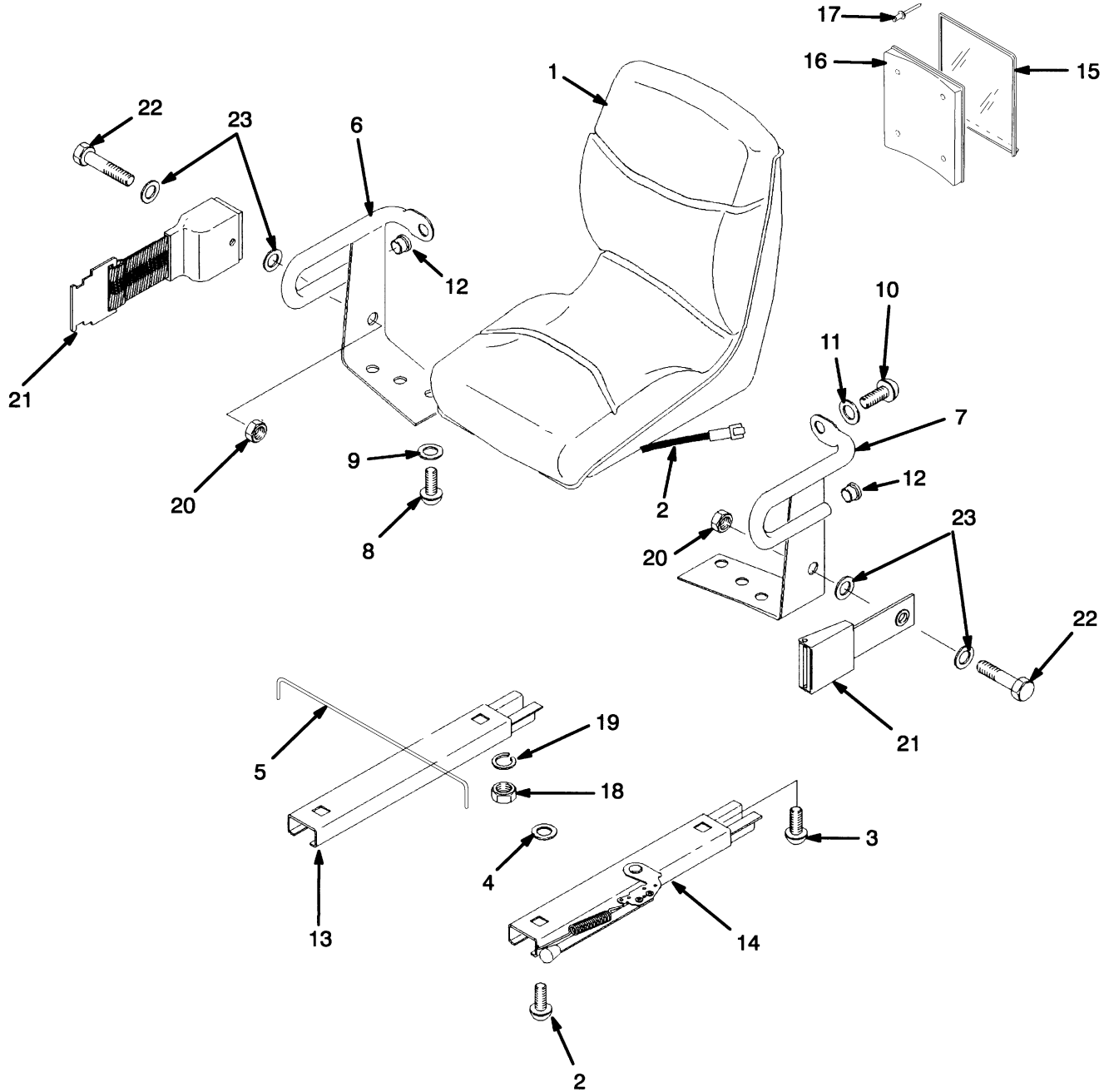


HP990005

GENERAL TRUCK

ITEM	PART NO.	DESCRIPTION	QTY
1	Frame (☞ Figure 1-11)	1
2	Engine (☞ Figure 2-10)	1
3	Fuel System (☞ Figure 3-1)	1
4	Electrical System (☞ Figure 4-1)	1
5	Transmission (☞ Figure 5-4)	1
6	Drive Axle (☞ Figure 6-2)	1
7	Steering System (☞ Figure 7-1)	1
8	Brake System (☞ Figure 8-2)	1
9	Hydraulic System (☞ Figure 9-1)	1
10	Mast-Two Stage Limited Free-Lift (☞ Figure 10-3)	1
11	Mast-Three Stage Full Free-Lift (☞ Figure 12-4)	1
12	Mast-Two Stage Full Free-Lift (☞ Figure 11-1)	1
13	Options (☞ Figure 13-1)	1

NON-SUSPENSION SEAT (Figure 1-2)

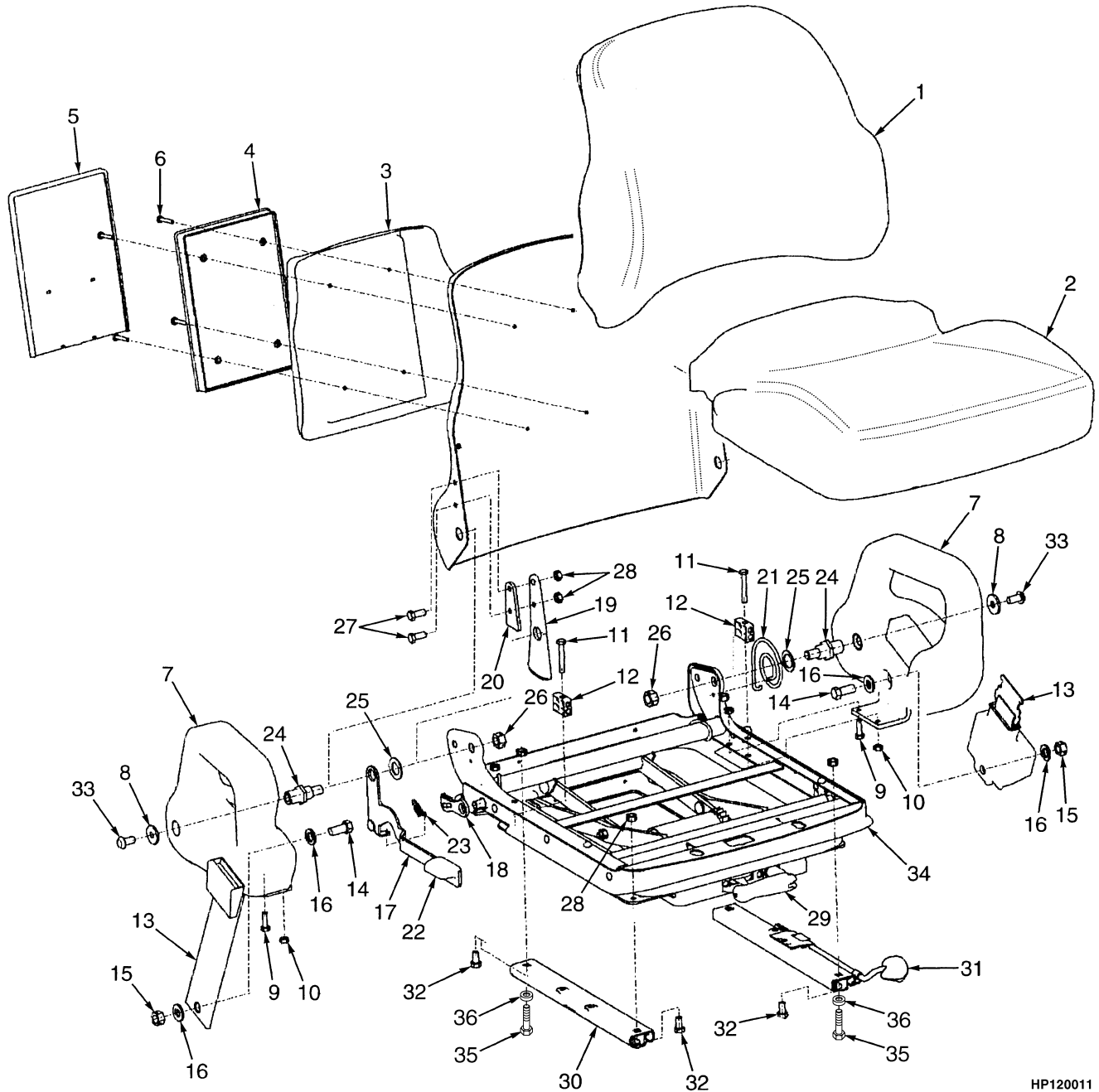


HP120010

NON-SUSPENSION SEAT

ITEM	PART NO.	DESCRIPTION	QTY
	1375150	Seat Assembly (Vinyl).....	1
1	1351473	Seat.....	1
1	1351431	Seat.....	1
2	1354140	Switch Assembly.....	1
3	364914	Capscrew.....	4
4	221733	Washer.....	2
5	1300107	Rod.....	1
6	364807	Hip Restraint (RH).....	1
7	364808	Hip Restraint (LH).....	1
8	18727	Capscrew.....	4
9	18515	Washer.....	4
10	379197	Capscrew.....	2
11	379198	Washer.....	2
12	364854	Plug.....	2
13	383116	Seat Rail (RH).....	1
14	335553	Seat Rail (LH).....	1
15	335991	Cover.....	1
16	335988	Base (Information Case).....	1
17	222029	Rivet.....	4
18	145639	Nut.....	4
19	15175	Washer.....	4
20	379698	Nut.....	2
21	1374750	Seat Belt.....	1
22	379199	Capscrew.....	2
23	379697	Washer.....	4

FULL SUSPENSION SEAT (Figure 1-3) SHEET 1 OF 2

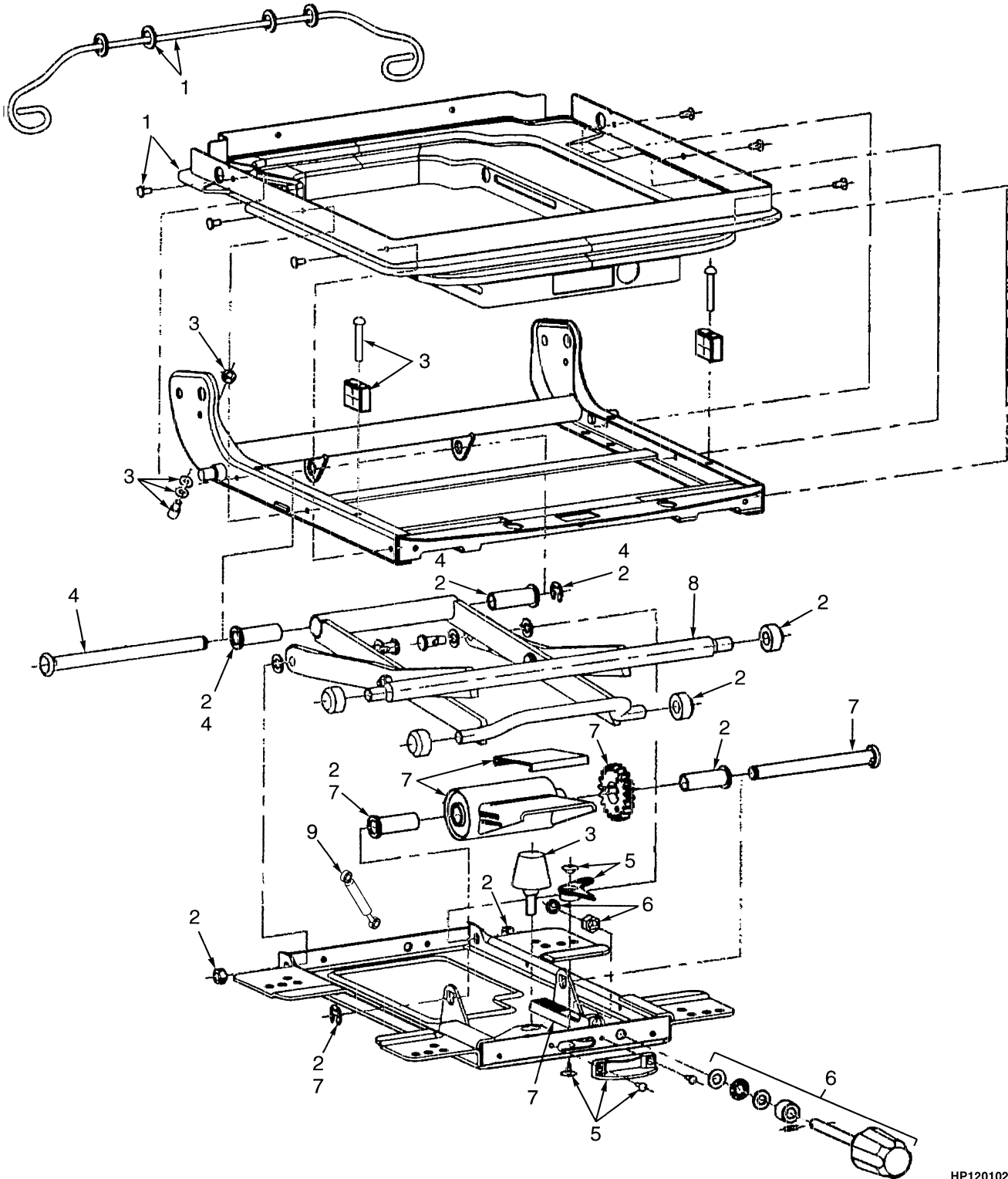


HP120011

**FULL SUSPENSION SEAT
SHEET 1 OF 2**

ITEM	PART NO.	DESCRIPTION	QTY
	1468473	Seat Assembly (Fabric)	1
	1468472	Seat Assembly (Vinyl).....	1
1	1470153	Back Cushion (Fabric)	1
1	1470152	Back Cushion (Vinyl)	1
2	1494077	Seat Cushion (Fabric)	1
2	1494076	Seat Cushion.....	1
3	Riser.....	1
4	Box	1
5	Cover.....	1
6	Screw	4
7	Hip Restraint (RH)	1
7	Hip Restraint (LH).....	1
8	Washer	2
9	Bolt	2
10	Nut.....	4
11	Bolt	2
12	Block.....	2
13	Seat Belt.....	1
14	Bolt	2
15	Nut.....	2
16	Washer	4
17	Handle	1
18	Latch.....	1
19	Bracket	1
20	Spacer	1
21	Spring.....	1
22	Knob.....	1
23	Spring Extension	1
24	Pivot	2
25	Washer	2
26	Nut.....	2
27	Bolt	2
28	Nut.....	6
29	1470163	Handle Kit.....	1
30	Slide (RH).....	1
31	Slide (LH)	1
32	Bolt	4
33	Screw	2
34	1470159	Suspension Kit.....	1
35	15175	Washer	4
36	145639	Nut	4
	1470155	Manual Holder Kit (Includes Items 3-6)	1
	1470156	Hip Restraint Kit (RH) (Includes Items 7-12, 33)	1
	1470157	Hip Restraint Kit (LH) (Includes Items 7-12, 33)	1
	1470158	Seat Belt Kit (Includes Items 13-16)	1
	1470164	Recliner Kit (Includes Items 17-28)	1
	1470161	Slide Kit (Includes Items 30-32).....	1

FULL SUSPENSION SEAT (Figure 1-4) SHEET 2 OF 2



HP120102

Please Click Here To Download The Complete Manual
Download Other Manuals
If Having Any Questions Feel Free To Contact us

admin@servicemanualbit.com