

PARTS MANUAL

CHALLENGER

**H440FS, H550F, H550FS,
H620F, H620FS, H650F, H700F,
H700FS
(E008)**

CUSTOMER EDITION

HYSTER

SECTIONS

1	FRAME
2	ENGINE ASSEMBLY
3	FUEL SYSTEM
4	ELECTRICAL SYSTEM
5	TRANSMISSION
6	DRIVE AXLE
7	STEERING SYSTEM
8	BRAKE SYSTEM
9	HYDRAULIC SYSTEM
10	MAST-TWO STAGE VISTA
11	ATTACHMENTS
12	OPTIONS
13	NUMERICAL INDEX

This Parts Manual is divided into 13 major sections which are listed above. Quick reference to these sections can be made by placing the right thumb on the tab of the desired section, bending the book back and thumbing the pages to the corresponding tab.

TABLE OF CONTENTS

DESCRIPTION	PAGE
A	
ACCUMULATOR	9-24
PISTON TYPE	9-27
ACCUMULATOR CHARGE VALVE	
ATTACHING PARTS.....	9-92
⇒S/N E008D-1522, ⇒S/N E008E-1541.....	9-18
S/N E008D-1523⇔S/N E008D-1525, S/N E008E-1542⇔S/N E008E-1550	9-20
S/N E008D-1526⇒, S/N E008E-1551⇒.....	9-22
AIR INLET	
TIER I ENGINE.....	3-8
TIER II ENGINE.....	3-10
ALTERNATOR	
⇒S/N E008D-1608, ⇒S/N E008E-1678.....	4-98
S/N E008D-1609⇔S/N PENDING PER ECN 68071, S/N E008E-1679⇔S/N PENDING PER ECN 68071	4-100
S/N PENDING PER ECN 68071⇒.....	4-102
ANTI-SLIPPING DEVICE	
S/N E008E-1789⇒	9-122
ANTI-SLIPPING DEVICE AND LIFT INTERRUPT	
S/N E008E-1811⇒	9-124
ATTACHING PARTS	
SHUT-OFF COCK AND SHUTTLE VALVE	
S/N E008D-1589⇒, S/N E008E-1657⇒	9-114
ATTACHMENT	
LABELS	11-30
ATTACHMENT CONTROL VALVE	
⇒S/N E008D-1602, ⇒S/N E008E-1753.....	9-54
AUXILIARY COOLANT PUMP	
OPTIONAL.....	5-34
B	
BRAKE	
FOUR PISTON	
H28.00-32.00F (H620-700F/FS)	
S/N E008E-1533 ⇒	8-6
H20.00-25.00F (H440FS-550F/FS)	8-2
SIX PISTON	
H28.00-32.00F (H620-700F/FS)	
⇒S/N E008E-1532	8-4
BRAKE LINES	
DECLUTCH AND SERVICE BRAKE	
S/N E008E-01866⇒.....	8-12
H20.00-32.00F (H440FS-700FS)	
S/N E008E-01866⇒.....	8-18
TREADLE VALVE AND PARK BRAKE VALVE	
⇒S/N E008E-01865.....	8-8
WITH SHUTTLE VALVE	
H20.00-32.00F (H440-700F/FS)	
S/N E008D-1501⇔S/N E008D-1526 (H440FS-700F/FS)	8-26
WITH SHUTTLE VALVE - H20.00-32.00F (H550-700F)	
S/N E008D-01618⇔S/N E008D-01865, S/N E008E-01666⇔S/N E008E-01865	8-30
WITHOUT SHUTTLE VALVE	

TABLE OF CONTENTS (Continued)

DESCRIPTION	PAGE
B (continued)	
H20.00-32.00F AND 440FS-700FS S/N E008D-1527⇒, S/N E008E-1501⇔S/N E008E-1514	8-14
WITHOUT SHUTTLE VALVE - H20.00-32.00FS (H440-700FS) S/N E008D-01618⇔S/N E008D-01865, S/N E008E-1666⇔S/N E008E-01865	8-22
BUMPERS	
EXTENDABLE ATTACHMENT	
S/N E008E-1811⇒.....	11-72
C	
CARRIAGE	
TWO STAGE VISTA.....	10-26
CHARGE PUMP	5-18
CLUTCH	
FORWARD AND SECOND.....	5-14
LOW GEAR.....	5-12
REVERSE AND THIRD	5-16
CONTAINER HANDLING ATTACHMENT INSTALLATION	
DEDICATED CARRIAGE	
S/N E008E-1811⇒.....	12-24
S/N E008E-1811⇒	9-126
CONTROL	
LIFT AND TILT	9-30
CONTROL VALVE	5-24
⇒S/N E008D-1588, ⇒S/N E008E-1656.....	9-36
S/N E008D-1589⇒, S/N E008E-1657⇒.....	9-40
S/N E008D-1603⇒, S/N E008E-1754⇒.....	9-58
CONTROL VALVE ATTACHING PARTS	
ATTACHMENT CONTROL VALVE AND PRESSURE SWITCH	
⇒S/N E008E-1810.....	9-94
ONE FUNCTION	
⇒S/N E008D-1588, ⇒S/N E008E-1656	9-106
S/N E008D-1589⇒, S/N E008E-1657⇒	9-110
TWO FUNCTION	
⇒S/N E008D-1588, ⇒S/N E008E-1656	9-98
S/N E008D-1589⇒, S/N E008E-1657⇒	9-102
WITH ANTI-SLIPPING DEVICE AND LIFT INTERRUPT	
S/N E008E-1811⇒.....	9-116
CONVERTER HOUSING	5-6
COOLING	
⇒S/N E008D-1602, ⇒S/N E008E-1697.....	2-8
TIER I ENGINE	
S/N E008D-1603⇒, S/N E008E-1698⇒	2-10
TIER II ENGINE	2-12
COUNTERWEIGHT	1-46
CYLINDER	
EXTENDABLE ATTACHMENT	
⇒S/N E008E-1810.....	11-44
S/N E008E-1811⇒.....	11-46
FIXED ATTACHMENT WITHOUT SLEWING	

TABLE OF CONTENTS (Continued)

DESCRIPTION	PAGE
C (continued)	
⇒S/N E008E-1810.....	11-42
TWIST LOCK	
⇒S/N A660E-1530.....	11-48
S/N A660E-1531⇔S/N E008E-1810.....	11-49
S/N E008E-1811⇒.....	11-50
D	
DEDICATED CARRIAGE	
S/N E008E-1811⇒	12-22
DIFFERENTIAL AND CARRIER	
WITH BRAKE ASSEMBLY	
H28.00-32.00F (H620-700F/FS) SHEET 1 OF 2	
⇒S/N E008-1837.....	6-24
H28.00-32.00F (H620-700F/FS) SHEET 2 OF 2	
⇒S/N E008-1837.....	6-28
WITH BRAKE ASSEMBLY (SHEET 1 OF 2)	
H20.00-25.00F (H440FS-550F/FS).....	6-10
⇒S/N E008D-1538 (AXLE 1336960), ⇒S/N E008E-1606 (AXLE 1336960)	6-6
WITH BRAKE ASSEMBLY (SHEET 2 OF 2)	
H20.00-25.00F (H440FS-550F/FS).....	6-14
DIFFERENTIAL CARRIER	
H28.00 - H32.00F/FS (H620F-H700F/FS)	
S/N E008-1838⇒	6-32
DIRECTIONAL CONTROL VALVE	
ATTACHING PARTS	
S/N E008E-1811⇒.....	9-96
S/N E008E-1811⇒	9-56
DRIVE AXLE	
H20.00-25.00F (H440FS-550F/FS)	6-2
H28.00 - H32.00F/FS (H620F-700F/FS)	
S/N E008-1838⇒	6-22
H28.00-32.00F (H620F-700F/FS)	
⇒S/N E008-1837	6-18
DRIVE SHAFT.....	6-40
E	
ELECTRICAL	
ATTACHMENT	
SHEET 1 OF 2	
⇒S/N E008E-1810	11-24
SHEET 2 OF 2	
⇒S/N E008E-1810	11-27
EXTENDABLE CONTAINER ATTACHMENT	
S/N E008E-1811⇒.....	11-28
FRAME (TIER I ENGINE)	
SHEET 1 OF 2	4-4
SHEET 2 OF 2	4-12
FRAME (TIER II ENGINE)	
SHEET 1 OF 3	4-8

TABLE OF CONTENTS (Continued)

DESCRIPTION	PAGE
E (continued)	
FRAME (TIER II ENGINE)	
SHEET 2 OF 3	4-10
SHEET 3 OF 3	4-16
SIDE-SHIFT CARRIAGE	12-16
STANDARD CARRIAGE	
TWO STAGE VISTA	10-30
ELECTRONIC FOOT PEDAL MOUNT	
TIER II ENGINE	3-16
ENGINE ASSEMBLY	2-2
ENGINE MOUNT	2-16
EXHAUST	2-4
EXTENDABLE ATTACHMENT	
⇒S/N E008E-1810	11-8
WITH DEDICATED CARRIAGE	11-12
F	
FIRE EXTINGUISHER	12-34
FIXED ATTACHMENT	
DEDICATED CARRIAGE	11-6
⇒S/N E008E-1810	11-4
FLOOR PLATES AND COVERS	
H20.00-32.00F, H550-700F	1-38
H20.00-32.00FS, H440-700FS	1-42
FLOW AMPLIFIER	7-14
ATTACHING PARTS	9-118
FLOW VALVE	
EXTENDABLE ATTACHMENT	
⇒S/N E008E-1810	11-60
FORK POSITIONER	
SIDE-SHIFT CARRIAGE	12-30
STANDARD CARRIAGE	
TWO STAGE VISTA	10-32
FORKS	12-33
FUEL SYSTEM	
⇒S/N E008D-1602, ⇒S/N E008E-1697	3-2
S/N E008D-1603⇒, S/N E008E-1698⇒	3-4
G	
GENERAL TRUCK	1-2
H	
HAND PUMP	
OPERATOR COMPARTMENT	
⇒S/N E008E-1592	1-16
S/N E008E-1593⇒	1-18
HEADER HOSE	12-8
HEATER	1-32
HEATER CONTROL	1-35
HOOD	

TABLE OF CONTENTS (Continued)

DESCRIPTION	PAGE
H (continued)	
H20.00-32.00FS, H440-700FS	1-64
HOOD AND LINKAGE	
H20.00-32.00F, H550-700F	
TIER I ENGINE	1-56
HOOD LINKAGE	
H20.00-32.00F, H550-700F	
TIER II ENGINE	1-60
HUB	
EXTENDABLE ATTACHMENT	
⇒S/N E008E-1810.....	11-55
HYDRAULIC	
EXTENDABLE ATTACHMENT WITH DEDICATED CARRIAGE	
S/N E008E-1811⇒.....	11-18
EXTENDABLE ATTACHMENT WITH SIDE-SHIFT CARRIAGE	
⇒S/N E008E-1810.....	11-14
FIXED ATTACHMENT	
⇒S/N E008E-1810.....	11-20
PRESSURE CHECK LINE.....	9-68
SIDE-SHIFT CARRIAGE	12-18
HYDRAULIC PUMP.....	9-64
DUAL	
⇒S/N PENDING PER ECN 68002	9-62
HYDRAULIC STOP	
S/N E008E-1811⇒	11-64
I	
INDICATOR	
TWIST LOCK	
⇒S/N E008E-1810.....	11-52
INSTRUMENT PANEL	
SHEET 1 OF 2.....	4-34
SHEET 2 OF 2	
⇒S/N E008E-01865.....	4-46
S/N E008E-01866⇒.....	4-50
⇒S/N E008E-1810.....	4-38
S/N E008E-1811⇔S/N E008E-01865Y	4-42
INTERLOCK VALVE	
⇒S/N E008E-1810	11-54
J	
JUNCTION BLOCK	
⇒S/N E008D-1523, ⇒S/N E008E-1542.....	9-14
L	
LABELS.....	1-66
LATCH	
HYDRAULIC	1-14
LIFT	
TWO STAGE LIMITED FREE-LIFT.....	10-10

TABLE OF CONTENTS (Continued)

DESCRIPTION	PAGE
L (continued)	
LIFT CYLINDER	
H20.00-25.00F (H440FS-550F/FS)	
TWO STAGE VISTA	
⇒S/N B531E-1665	10-14
S/N B531E-1666⇒S/N E008E-1547	10-16
H20.00-25.00FS (H440FS-550F/FS)	
TWO STAGE VISTA	
S/N E008E-1547⇒	10-18
H28.00-32.00F (H620-700F/FS)	
TWO STAGE VISTA	
S/N E008E-1546⇒	10-22
H28.00-32.00F (H620FS-700F/FS)	
⇒S/N B531E-1666.....	10-24
TWO STAGE VISTA	
S/N B531E-1665⇒	10-20
LIGHTS.....	4-104
M	
MAST	
H20.00-25.00F (H440FS-550F/FS)	
TWO STAGE VISTA	10-2
H28.00-32.00F (H620-700F/FS)	
TWO STAGE VISTA	10-6
MODULATOR VALVE	5-22
O	
OIL COOLER AND ATTACHING PARTS	
S/N PENDING PER ECN 68071⇒	9-12
OPERATOR COMPARTMENT	
SHEET 1 OF 3	1-20
SHEET 2 OF 3	1-24
SHEET 3 OF 3	1-28
P	
PARK BRAKE.....	6-38
PARK BRAKE SOLENOID VALVE	
ATTACHING PARTS.....	9-86
PARK BRAKE SWITCH	
S/N E008D-1582⇒, S/N E008E-1656⇒.....	4-108
PARK BRAKE VALVE	
⇒S/N E008D-1581	8-36
PILOT VALVE	9-34
ATTACHING PARTS	
⇒S/N E008D-1581, ⇒S/N E008E-1655	9-84
PARK BRAKE	
⇒S/N E008D-1581, ⇒S/N E008E-1655	9-45
PLATFORM	
OPERATOR COMPARTMENT.....	1-4
PRESSURE REDUCING VALVE	

TABLE OF CONTENTS (Continued)

DESCRIPTION	PAGE
P (continued)	
ATTACHING PARTS	
⇒S/N E008E-01723.....	9-78
S/N E008E-01724⇒.....	9-82
PARK BRAKE	9-44
PILOT CIRCUIT	9-43
PRESSURE SWITCH	
⇒S/N E008D-1581, ⇒S/N E008E-1655.....	4-107
R	
RADIATOR AND FAN	2-6
RELIEF VALVE	9-46
ATTACHING PARTS	
S/N E008D-1518⇒, S/N E008E-1544⇒.....	9-90
⇒S/N E008D-1614, ⇒S/N E008E-1664.....	9-88
EXTENDABLE ATTACHMENT	
⇒S/N E008E-1810.....	11-56
SLEWING CYLINDER	
⇒S/N E008E-1810.....	11-58
TILT CYLINDER.....	9-52
TWIST LOCK AND EXTENDABLE ATTACHMENT CYLINDER	
⇒S/N E008E-1810.....	11-57
RETURN MANIFOLD	
ATTACHING PARTS	
SHEET 1 OF 2	9-70
SHEET 2 OF 2	9-74
S	
SEAT ASSEMBLY	
CAB.....	1-48
SERVICE BRAKE.....	6-36
SHIFT LEVER	
⇒S/N E008E-1865Y.....	5-38
SHUTTLE VALVE	9-53 8-40
ATTACHING PARTS.....	9-60
SIDE-SHIFT CARRIAGE	12-12
SIDE-SHIFT CYLINDER	
DEDICATED CARRIAGE	
S/N E008E-1811⇒.....	12-28
⇒S/N E008E-1810	12-26
SLEWING CYLINDER	
EXTENDABLE ATTACHMENT	
S/N E008E-1811⇒.....	11-43
SLEWING CYLINDER AND ATTACHING PARTS	
⇒S/N E008E-1810	11-40
SOLENOID VALVE	9-66
PARK BRAKE	
S/N E008D-1582⇒, S/N E008E-1656⇒.....	9-47
STARTER MOTOR	2-18
STEERING	7-6

TABLE OF CONTENTS (Continued)

DESCRIPTION	PAGE
S (continued)	
STEERING AXLE	7-2
STEERING CONTROL VALVE.....	7-12
STEERING CYLINDER	7-10
STROBE LIGHT	12-36
SUPPLY AND RETURN	
SHEET 1 OF 2	9-4
SHEET 2 OF 2	9-8
SUSPENSION SEAT	
GRAMMER HIGH BACK	
SHEET 1 OF 2	
S/N PENDING PER ECN 99782⇒	1-50
SHEET 2 OF 2	
S/N PENDING PER ECN 99782⇒	1-54
T	
TANK AND FILTER	9-28
THROTTLE LINKAGE	
TIER I ENGINE	3-12
THROTTLE PEDAL	
TIER I ENGINE	3-18
THROTTLE PEDAL ASSEMBLY	
ELECTRONIC	
TIER II ENGINE	3-20
TILT CYLINDER	9-50
OPERATOR COMPARTMENT	
⇒S/N E008D-1594, ⇒S/N E008E-1676	1-8
S/N E008D-1595⇔S/N E008D-1618, S/N E008E-1677⇔S/N E008E-1699	1-10
S/N E008D-1618⇒, S/N E008E-1699⇒	1-12
TILT HYDRAULIC	9-48
TIRE AND WHEEL	12-3
H28.00-32.00F (H620-700F/FS)	12-6
TORQUE CONVERTER.....	5-8
TRANSMISSION	
ATTACHING PARTS.....	5-26
S/N E008D-1680⇒, S/N E008E-1781⇒	5-32
ATTACHING PARTS COOLING AND FILTER	5-28
TRANSMISSION CONTROL VALVE	
⇒S/N E008E-1865Y	5-40
TRANSMISSION COOLING	
OPTIONAL	
S/N E008D-1680⇒, S/N E008E-1781⇒	5-36
TRANSMISSION HOUSING	5-2
TREADLE VALVE	8-34
TWIST LOCK	
EXTENDABLE ATTACHMENT	
S/N E008E-1811⇒	11-36
⇒S/N E008E-1810	11-32
S/N E008E-1811⇒	11-38
TWO-SPEED LIFT VALVE	

TABLE OF CONTENTS (Continued)

DESCRIPTION	PAGE
T (continued)	
S/N E008D-1524⇒, S/N E008E-1543⇒.....	9-16
V	
VALVE	
EXTENDABLE ATTACHMENT	
S/N E008E-1811⇒.....	11-62
RELAY	8-38
VALVE INCHING	
⇒S/N E008D-1588, ⇒S/N E008E-1656.....	8-42
S/N E008D-1589⇔S/N E008E-01865, S/N E008E-1656⇔S/N E008E-01865	8-44
W	
WEAR PLATE	
EXTENDABLE ATTACHMENT	
⇒S/N A660E-1541.....	11-66
S/N A660E-1542⇔S/N E008E-1810.....	11-68
S/N E008E-1811⇒.....	11-70
WINDSCREEN WASHER	1-36
WIRE HARNESS	
AUTOSHIFT ADAPTER	
S/N E008E-01866⇒.....	4-92
AUTOSHIFT CONTROLLER	
S/N E008E-1865Y⇒	4-90
AUTOSHIFT FUSE PANEL	
TIER I ENGINE	
S/N E008E-01866Y⇔S/N PENDING PER ECN 68071	4-94
TIER II ENGINE	4-96
BACKUP ALARM.....	4-27
ENGINE	
⇒S/N E008E-01865.....	4-28
⇒S/N E008E-1866Y	4-30
ENGINE COMPARTMENT	
⇒S/N E008D-1679, ⇒S/N E008E-1773	4-18
⇒S/N E008D-1680, ⇒S/N E008E-1774	4-20
⇒S/N E008E-1866Y	4-22
GAUGE	
TIER I AND TIER II ENGINE.....	4-80
GEAR SHIFT	
S/N E008E-1811⇒.....	4-64
LIGHTING SWITCH.....	4-86
LOCKING AND LIFT CONTROL	
S/N E008E-1811⇒.....	4-88
LOWERING INTERRUPT	4-112
MAIN LIGHT	4-111
MODULE	
WITH EC CAB	
⇒S/N E008E-1810	4-70
S/N E008E-1811⇒	4-71
WITH STANDARD CAB	

TABLE OF CONTENTS (Continued)

DESCRIPTION	PAGE
W (continued)	
⇒S/N E008E-1810	4-72
S/N E008E-1811⇒	4-73
OPERATOR COMPARTMENT	
⇒S/N E800D-1515, S/N E800E-1522⇔S/N E800E-1810	4-76
TIER I AND TIER II ENGINE.....	4-78
PARK BRAKE	
⇒S/N E008E-01865.....	4-56
S/N E008E-01866⇒.....	4-58
REAR LIGHT	4-110
SENSOR	
⇒S/N E008E-1866Y	4-32
SOLENOID VALVE	
⇒S/N E008E-1810.....	4-24
S/N E008E-1811⇒.....	4-25
STEERING POD	
TIER I AND TIER II ENGINE.....	4-81
SWITCH	
EC CAB	
S/N E008E-1811⇒	4-75
WITH STANDARD CAB.....	4-74
TRANSMISSION	
⇒S/N E008E-1865Y	4-26
TRANSMISSION AND ATTACHMENT	
⇒S/N E008E-1810.....	4-62
TRANSMISSION CONTROL	
TIER I ENGINE	
S/N E008E-01866Y⇔S/N PENDING PER ECN 68071	4-82
TIER II ENGINE	
S/N PENDING PER ECN 68071⇒.....	4-84
WITH EC CAB	4-66
⇒S/N E008E-1810.....	4-60
S/N E008E-1811⇒.....	4-61
WITH STANDARD CAB	4-68
WORK LIGHTS.....	4-109

ABBREVIATIONS QUICK REFERENCE SHEET

Listed below are abbreviations used in parts manuals to denote the following expressions:

TERM	DEFINITION	TERM	DEFINITION
Amp	Amperes	FRE	Freezer Environment
AR	As Required	in.	inches
BDI	Battery Discharge Indicators	LPG	Liquefied Petroleum Gas
BWI	Brush Wear Indicator	MAP	Manifold Absolute Pressure
CE	Communicator End	mm	millimeters
CRE	Corrosive Environment	MSTS	Microprocessor Spark Timing System
D/B	Date Break	NPT	National Pipe Threads
dbA	Decibel "A" Scale	O/S	Oversize
DE	Drive End	PTO	Power Take Off
ECH	Empty Container Handler	RPM	Revolutions per Minute
ECH-3	Empty Container Handler - 3 High Stacking	S/N	Serial Number
ECH-4	Empty Container Handler - 4 High Stacking	TMM	Truck Management Module
ECH-5	Empty Container Handler - 5 High Stacking	UL Type D	Diesel-Powered Safety Rating
ECH-6	Empty Container Handler - 6 High Stacking	UL Type DS	Diesel-Powered Safety Rating
ECH-7	Empty Container Handler - 7 High Stacking	UL Type E	Battery-Powered Safety Rating
ECM	Electronic Control Module	UL Type EE	Battery-Powered Safety Rating
ECN	Engineering Change Notice	UL Type ES	Battery-Powered Safety Rating
EEPROM	Electrically Erasable Programmable Read Only Memory	UL Type G	Gasoline-Powered Safety Rating
EPROM	Electrically Programmable Read Only Memory	UL Type GS	Gasoline-Powered Safety Rating
		UL Type LP	Gas-Powered Safety Rating
		UL Type LPS	LP Gas-Powered Safety Rating
		U/S	Undersize
		UL	Underwriters Laboratory
		V	Volts

HOW TO USE THE ILLUSTRATED PARTS MANUAL

This parts manual describes and illustrates assemblies, subassemblies, and detail parts needed for service replacement.

The different constructions are indicated by keys and footnotes. The callouts correspond to descriptions found on the next page.

HYSTER UNIT CODE D001 NORTH AMERICA 06/2001

TABLE OF CONTENTS

DESCRIPTION	PAGE
AIR INTAKE AND FILTER DIESEL (⇒ D/B 11/96).....	3-22
AIR INTAKE AND FILTER DIESEL (D/B 11/96 ⇒).....	
AIR INTAKE AND FILTER GASOLINE AND LPG.....	
ALTERNATOR GASOLINE, LPG, AND DIESEL -	
ALTERNATOR TYPES GS, LPS, AND DS.....	
AUXILIARY FUNCTION TUBE TWO AND THREE STAGE FULL F.....	

SECTION 13 NUMERICAL INDEX

PART NO.	ITEM PAGE NO.	PART NO.	ITEM PAGE NO.	PART NO.	ITEM PAGE NO.	PART NO.	ITEM PAGE NO.
142	3-4 19	10-13	25	11-27	29	12-31	12
12445	3-32 19	10-17	6	11-31	25	16719	3-35 5
	3-34 1	10-27	11	11-32	37	16751	3-16 27
		11	6	16485	8-4 23	16849	3-34 21
		11-11	6	8-4	45		3-36 20
		12-21	11	8-8	34	16863	3-26 17
		4	13	9-7	9	16865	3-6 18
		12	5	9-7	19	16882	9-7 30
		8	17	9-11	9		9-11 27
		9	10	9-11	17		10-10 36
		23	46	10-9	21		10-13 32
		27	46	10-9	28		11-7 24
		26	14	10-13	16		11-9 17
		28	14	11-7	19		
		30	14				

SECTIONS

- 1
- 2
- 3
- 4
- 5
- 6
- 7
- 8
- 9
- 10
- 11

TRANSMISSION HOUSING ⇒ S/N D001H-2628

KEY:
A: Diesel
B: Gasoline and LPG

ITEM	PART NO.	DESCRIPTION	QTY	
			A	B
		Transmission	1	1
	2022547	Transmission	1	1
	2023329	Transmission	2	2
	2021670	Case	4	4
1	2023418	Bearing Cap	1	1
2	296426	Washer	2	2
3	293826	Bolt	2	2
4	2021380	Cover	4	4
5	1371656	Collar Pin	4	4
6	2021329	O-Ring	1	1
7	2021915	Plug	4	4
8	2021675	Housing	22	22
9	2021336	Pin	39	39
10	287880	Bolt	1	1
11	292982	Lockwasher	1	1
12	292982	Hydraulic Pump	8	8
13		⇒ Figure 5-3	8	8
14	2021345	Gasket	1	1
15	214364	Bolt	1	1
16	296418	Washer	1	1
17	2021388	Temperature Switch	1	1
18	2021389	Breather	9	9
19	2021383	Dipstick	9	9
20	292515	Bolt	2	2
21	136692	Nut	3	3
22	292527	Bolt	3	2
23	292531	Bolt	4	4
24	292683	Lockwasher	4	4
25	293837	Bolt	1	1
26	296420	Washer	1	1
	996403	Transmission Kit (Includes Item 7)	1	1
	996405	Transmission Kit (Includes Item 14)	1	1

This Parts Manual is divided into 11 major sections which are listed above. Quick reference can be made by placing the right thumb on the tab of the desired section, bending the pages to the corresponding tab.

See Service Manual for service procedures

© Copy Right Date HYSTER COMPANY

5-15

HP990004

HOW TO FIND THE DESIRED PART NUMBER

WHEN THE PART NUMBER AND THE NEXT HIGHER ASSEMBLY IS NOT KNOWN:

1. Determine the function and application of the part required. Turn to the Sections Page. Choose the general area of reference most likely to include the part.
2. Turn to the section you chose. Use the Section Table of Contents to determine the assembly which would normally contain the part required. Then locate the part on the assembly breakdown page.

WHEN THE PART NUMBER IS NOT KNOWN AND THE NEXT HIGHER ASSEMBLY IS KNOWN:

3. Determine the assembly the required part is used on. Turn to the Table of Contents on Page i.
4. Locate the assembly the required part is used on and turn to the page indicated for that assembly. Then locate the part on the assembly breakdown page.

WHEN THE PART NUMBER IS KNOWN:

5. Use the Numerical Index on Page 13-1 to find the part number. Turn to the page listed and locate the part as indicated by the item number.

GENERAL:

The assembly breakdowns include part numbers, descriptions, quantities required, keys and footnotes to help in selecting correct parts.

6. Five periods in the PART NO. column (.) indicate that the part is either *Not Serviced Separately* or there is a reference to another figure. A figure reference is denoted by a pointing hand followed by a figure number in the DESCRIPTION column (☞ Figure 10)
7. Keys are used to show two or more similar assemblies, RH and LH assembly parts, etc. Select the appropriate key, "A", "B", "C", "D", or "E" and the corresponding quantity column to find the required parts. Two periods in the QTY column (..) indicate that the part is not used for that assembly.
8. Indented descriptions under the DESCRIPTION column are used to indicate assemblies and subparts of assemblies. In the example on the

previous page, *BEARING CAP* (Item 2) is a subpart of the major assembly *CASE*.

9. Quantities shown are for one assembly. The quantities of the subpart *BEARING CAP* are indicated as two and two. This means two per *CASE* assembly.
10. Serial number breaks identify the most current parts information and are shown as follows:
 - ⇒ **S/N D001H-2628**
Indicates last serial number affected.
 - S/N D001H-2629** ⇒
Indicates the first serial number affected.
 - S/N D001H-1553** ⇔ **S/N D001H-3291**
Indicates a range of serial numbers affected.

ECN numbers for pending serial numbers are shown to allow for the inclusion of the most current parts information and are identified as follows:

- ⇒ **S/N Pending Per ECN 63243**
Indicates a pending serial number for last unit affected.
- S/N Pending Per ECN 63243** ⇒
Indicates a pending serial number for first unit affected.

Date breaks are used to indicate when a change occurred but a subsequent serial number break was not recorded. This is an arbitrary date usually based on the ECN release and are identified as follows:

- ⇒ **D/B 3/00**
Indicates that a change occurred sometime within that month for the item affected.
- D/B 3/00** ⇒
Indicates that a change occurred sometime within that month for the item affected.
- D/B 3/00** ⇔ **D/B 4/00**
Indicates a range of production dates of the item affected.

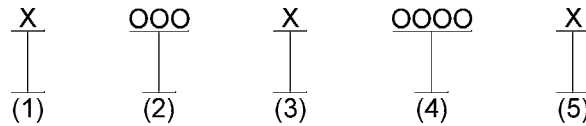
Contact your local dealer for Hyster lift trucks for serial number information for items with a ECN or a date break.

ORDERING PARTS:

When ordering replacement parts, give the unit serial number, part number, name of part and quantity required.

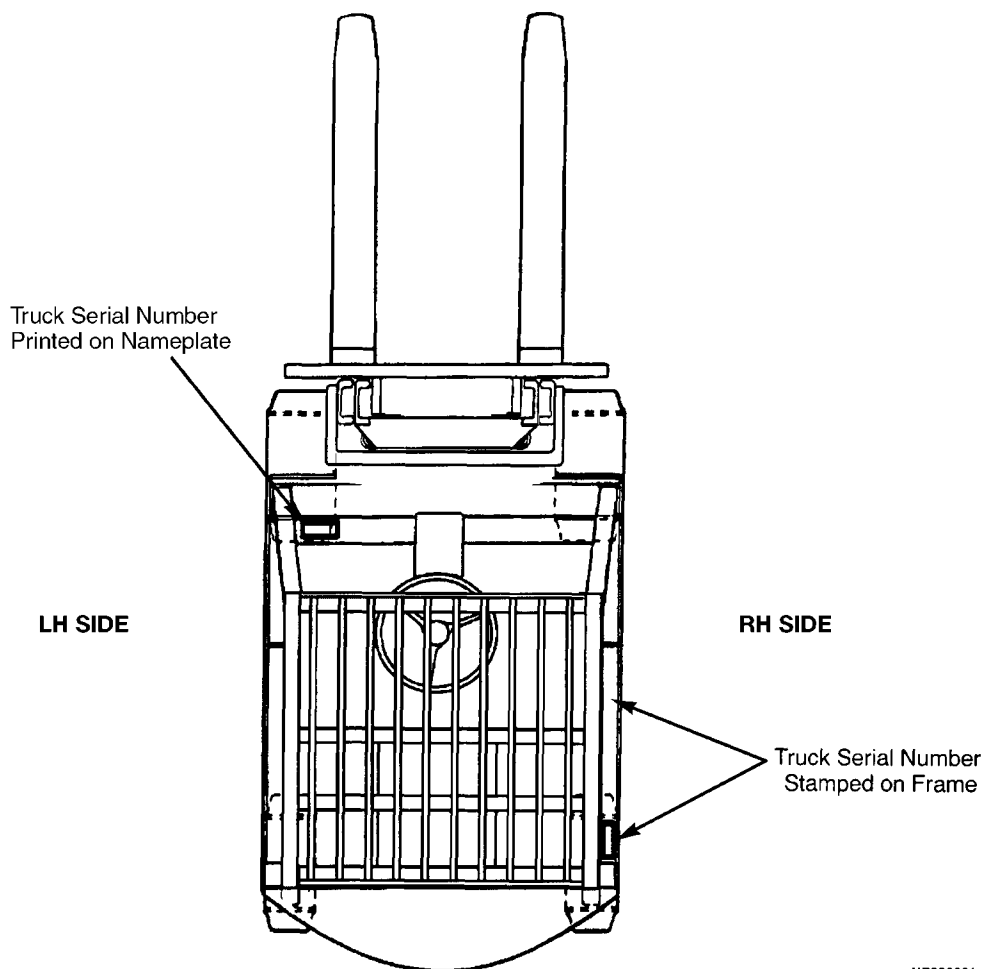
For any further information on parts, service, or ordering, consult your local dealer for Hyster lift trucks.

IDENTIFICATION OF TRUCK SERIAL NUMBERS

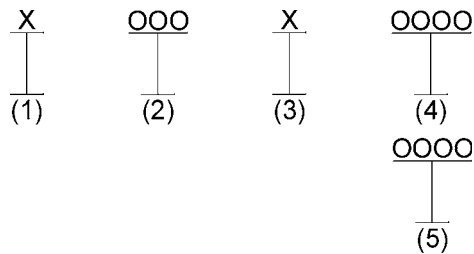


- (1) and (2) The first letter and three numbers indicate the truck unit code.
- (3) The second letter indicates the plant of manufacture.
- (4) The four or five digit number indicates the production sequence number of the truck.
- (5) The final letter indicates the year of manufacture starting with "A" in 1957 and 1980. The letters "I", "O", and "Q" will not be used.

For pending serial numbers contact your local dealer for Hyster lift trucks.



Parts referred to in this book as right or left hand parts are in accordance with the illustration above.

IDENTIFICATION OF MAST SERIAL NUMBERS

- (1) and (2) The first letter and number indicates the mast unit code.
- (3) The second letter indicates the plant of manufacture.
- (4) The four or five digit number indicates the production sequence number of the mast.
- (5) Carriage travel in millimeters stamped just below the serial number.

Mast Group identification consists of mast unit code (1) and (2) plus carriage travel (5).

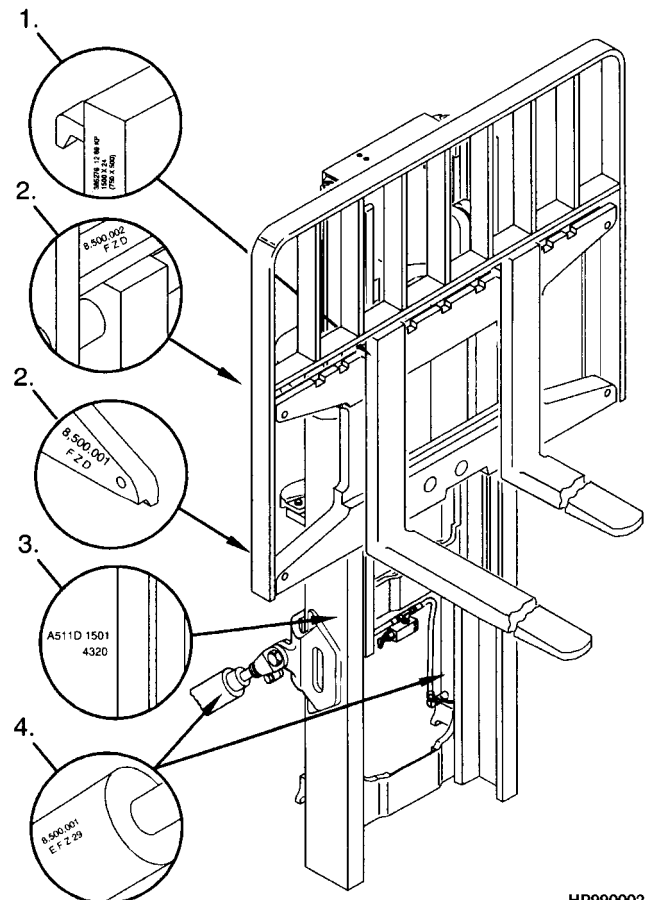
For pending production sequence numbers contact your local dealer for Hyster lift trucks.

LIFT EQUIPMENT IDENTIFICATION

1. Fork part number, capacity rating, plant code letter, and date of manufacture are stamped approximately six inches below the top of most forks.
2. The carriage group number is stamped on the right hand side of the top crossmember (pin type) or on the back of the right hand end of the bottom crossmember (hook type). A date code has two letters in line with or below the carriage group number.
3. The mast identification number has a unit code, a letter indicating the plant of manufacture, and a serial number. Underneath the production sequence number is a four digit number that indicates the carriage travel in millimeters.
4. Tilt and lift cylinder group numbers are stamped on the cylinder shell.

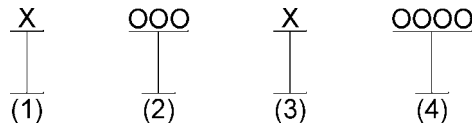
Always refer to the group, serial, or part number when ordering service parts.

Modification of masts and carriages by SPED (Special Products Engineering Department) are identified by a model prefix code beginning with the letter "S". contact your dealer for Hyster lift trucks for information on these assemblies.



HP990002

IDENTIFICATION OF ATTACHMENT AND SIDE-SHIFT CARRIAGE SERIAL NUMBERS

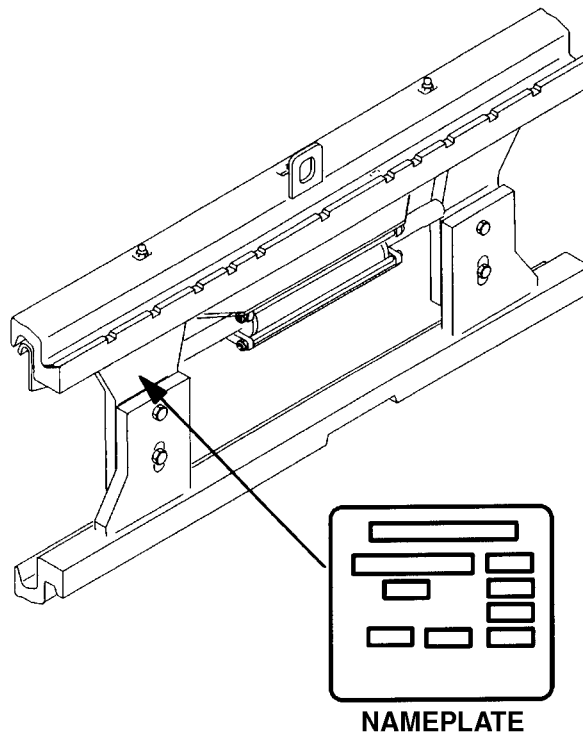


(1) and (2) The first letter and three numbers indicate the attachment unit code.

(3) The second letter indicates the plant of manufacture.

(4) The four or five digit number indicates the production sequence number.

For pending production sequence numbers contact your local dealer for Hyster lift trucks.



HP990003

Side-shift carriages and attachments have nameplates. Use the serial number found on the nameplate to identify the attachment.

Always refer to the group, serial, or part number when ordering service parts.

Modifications of attachments and side-shift carriages by SPED (Special Products Engineering Department) are identified by a model prefix code beginning with the letter "S". Contact your dealer for Hyster lift trucks for information on these assemblies.

Please Click Here To Download The Complete Manual
Download Other Manuals
If Having Any Questions Feel Free To Contact us

admin@servicemanualbit.com